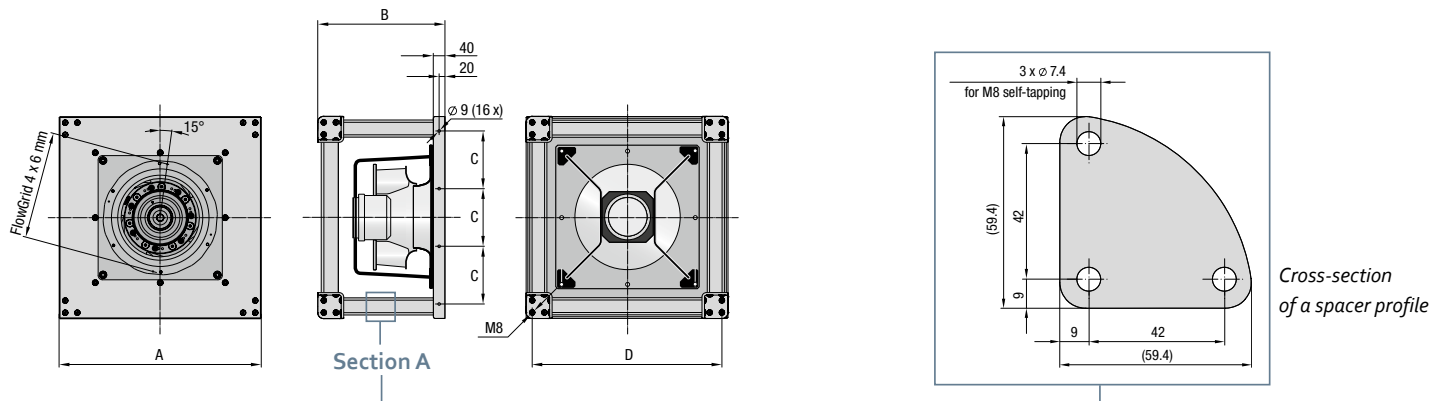


Request form "FanGrid".

Our easy FanGrid configuration helps you to plan and request your FanGrid module:

1. Enter the required quantity in the form fields.
 2. Click on the e-mail address: info1@de.ebmpapst.com
 3. A new e-mail will open automatically with this PDF as an attachment.
- Thank you very much for your request!

Structure of a FanGrid



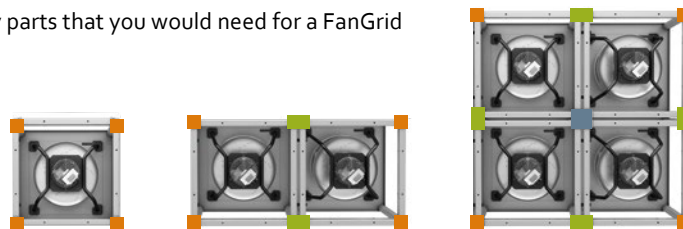
Our FanGrid modules can be ordered as a complete kit or component by component. If you need pre-assembled FanGrid modules, please find the dimensions and relevant item numbers listed below, which include the same individual components as mentioned on page 2 (FlowGrid available to order separately):

The FanGrid cube as a complete kit

Size	Item number	A	B	C	D	Order quantity
FanGrid 400	K3G400-PA27-W4	700	522	200	658	
FanGrid 450	K3G450-PA31-W3	800	620	200	758	
FanGrid 500	K3G500-PB24-W3	900	650	225	858	
FanGrid 560	K3G560-PB31-W3	1,000	722	250	958	

All dimensions in mm, data sheets on request. Subject to technical changes.

To give an example, these would be the assembly parts that you would need for a FanGrid consisting of one, two or four FanGrid elements:



Assembly parts

					Order quantity
93570-2-4060	Angle connector		4	4	4
93572-2-4060	Side connector			2	4
93574-2-4060	Cross connector				1

You can add the necessary assembly parts for your FanGrid solution to your main order. Each item has its own item number. Please always state the quantity of items required. For a second row of fans or more, we recommend using fittings for installation of the top layer. There are four holes on the edge of the flange plate for screws. Screws must be ordered separately. You do not need to order additional screws for fixing the fans to the FanGrid cube. For this, you can use the screws from the mounting bracket.

The FanGrid cube as a kit

Fig. no.	1	2	3	4	5	6
						
Element	RadiPac fan	FlowGrid air inlet grill	Bulkhead plate	Spacer profile A	Spacer profile B	Corner connector

What you need for a complete cube:

Size	Fig. no.	Element	Item number	Quantity	Order quantity
400	1	RadiPac fan	K3G400-PA27-62	1	
	2	FlowGrid air inlet grill	35505-2-2957	1	
		Screws for FlowGrid	69674-7-6215	4	
	3	Bulkhead plate	15456-2-4021	1	
		Screws for bulkhead plate	30000-7-6203	8	
	4	Spacer profile A	30410-1-2550	4	
	5	Spacer profile B	30400-1-2550	4	
	6	Corner connector	09700-2-2525	4	
		Screws for mounting bracket	61000-7-6203	48	
450	1	RadiPac fan	K3G450-PA31-61	1	
	2	FlowGrid air inlet grill	35505-2-2957	1	
		Screws for FlowGrid	69674-7-6215	4	
	3	Bulkhead plate	15457-2-4021	1	
		Screws for bulkhead plate	30000-7-6203	8	
	4	Spacer profile A	30460-1-2550	4	
	5	Spacer profile B	30451-1-2550	4	
	6	Corner connector	09700-2-2525	4	
		Screws for mounting bracket	61000-7-6203	48	
500	1	RadiPac fan	K3G500-PB24-61	1	
	2	FlowGrid air inlet grill	35505-2-2957	1	
		Screws for FlowGrid	69674-7-6215	4	
	3	Bulkhead plate	15458-2-4021	1	
		Screws for bulkhead plate	30000-7-6203	8	
	4	Spacer profile A	30510-1-2550	4	
	5	Spacer profile B	30501-1-2550	4	
	6	Corner connector	09700-2-2525	4	
		Screws for mounting bracket	61000-7-6203	48	
560	1	RadiPac fan	K3G560-PB31-61	1	
	2	FlowGrid air inlet grill	00630-2-2957	1	
		Screws for FlowGrid	69674-7-6215	4	
	3	Bulkhead plate	15459-2-4021	1	
		Screws for bulkhead plate	30000-7-6203	8	
	4	Spacer profile A	30570-1-2550	4	
	5	Spacer profile B	30560-1-2550	4	
	6	Corner connector	09700-2-2525	4	
		Screws for mounting bracket	61000-7-6203	48	

The tightening torque of the screws in the aluminum profile screw channel is 30 Nm ± 4.5 Nm.

[Send request](#)