



Cool performance for every occasion.

AxiForce 60 and AxiFlow 60: *High power. Full flow.*

At first glance, our two 60-millimeter compact fans look like identical twins. It's no wonder, since they are based on the same powerful motors and electronics. The key difference lies in the aerodynamic design, which consists of specially shaped impellers and housings:

The AxiForce 60 is designed for maximum back pressure, while the AxiFlow 60 is designed for high airflow. This means you can get the right fan for every application.

What they have in common is their excellent performance. AxiForce and AxiFlow offer maximum cooling capacity with low noise and maximum efficiency. Our compact fans master demanding cooling tasks in automation with flying colors, reliably protecting highly sensitive electronics from severe temperature fluctuations.

They are also optionally available with IP68 protection, ATEX certification, and salt spray resistance. This also makes them the first choice for outdoor applications.

Here are just a few of the many applications:

- + Industrial applications
- + Renewable energy solutions
- + ICT and automatization
- + Medical technology

Outdoors

- + Photovoltaic inverter
- + Battery storage system
- + Charging stations
- + And many others

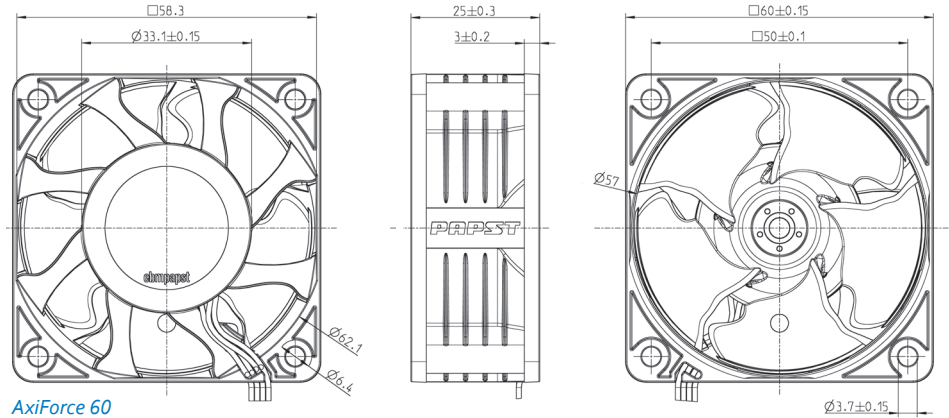
ebmpapst

engineering a better life

More pressure or more airflow: The choice is yours.

Features:

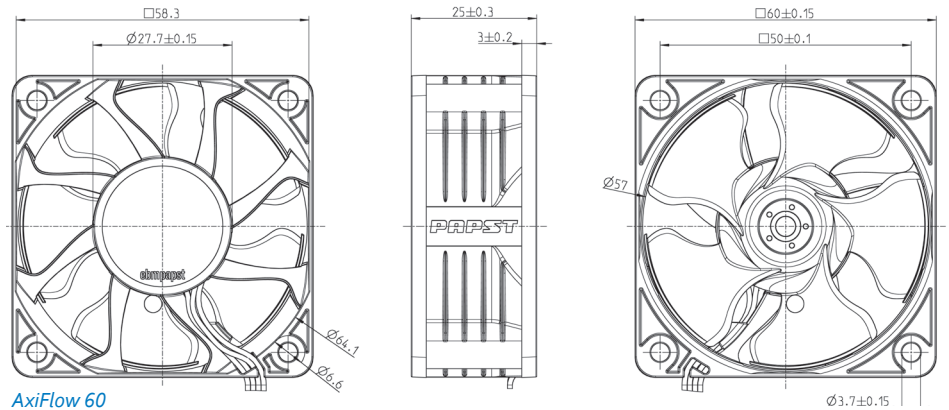
- + Newly developed flow geometry
- + Motor concept with optimized noise levels and efficiency
- + Power electronics with optimized efficiency
- + Airflow direction blowing over struts
- + Direction of rotation: counterclockwise, facing the rotor
- + Housing material: plastic (PBT)
- + Impeller material: plastic (PA)
- + Tach output
- + PWM control input



AxiForce 60

Optional:

- + Go-/No-go alarm
- + Analog control input
- + Salt spray resistance
- + Degree of protection up to IP68 (at reduced speed)
- + ATEX-certified - EN 60079-7, Group IIC, T3 (in conjunction with IP68)



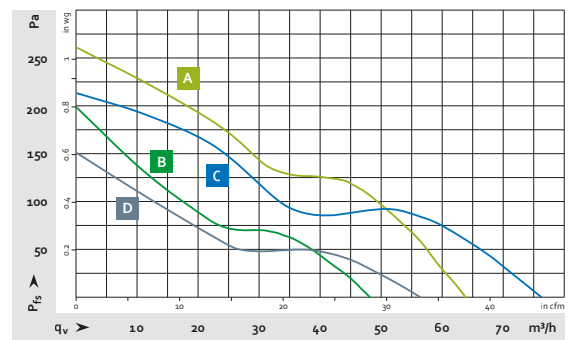
AxiFlow 60

Approvals:

- + DIN EN 62368
- + CSA22.2 No. 113
- + CE
- + UL507
- + EAC
- + UKCA

Want to know more?

We will be happy to advise you personally:
 Christian Stern
 Tel. +49 7724 81 1725
 stern.christian@de.ebmpapst.com



Type	Material-No.	Air flow		Nominal voltage	Voltage range	Speed	Weight	Sound pressure	IP rating	Temperature range
		m³/h	cfm							
VWCD060KHDGS A	8300101155	64	38	12VDC	6...13.8	9.200	60	48dB	20	-20...+70
VWCD060KJDGS A	8300101154	64	38	24VDC	18...28	9.200	60	48dB	20	-20...+70
VWCD060KHDFS B	8300101151	48	28	12VDC	6...13.8	7.000	63	45dB	68	-40...+70
VWCD060KJDFS B	8300101150	48	28	24VDC	15...28	7.000	63	45dB	68	-40...+70
VWCD060WHDNS C	8300101143	76	45	12VDC	6...13.8	8.800	56	51dB	20	-20...+70
VWCD060WJDNS C	8300101144	76	45	24VDC	15...28	8.800	56	51dB	20	-20...+70
VWCD060WHDGS D	8300101153	56	33	12VDC	6...13.8	6.500	60	45dB	68	-40...+70
VWCD060WJDGS D	8300101152	56	33	24VDC	15...28	6.500	60	45dB	68	-40...+70