

# Spare parts catalogue

## *ebm-papst Benelux*

Edition 2024-11

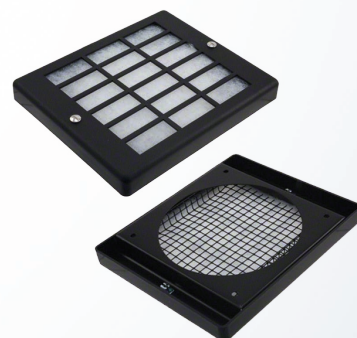
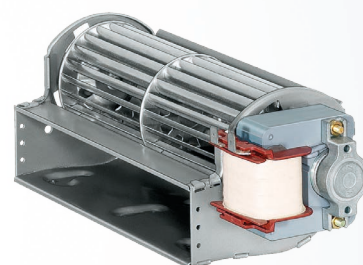
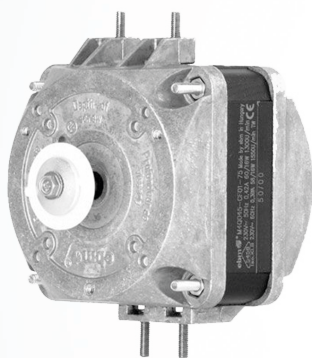
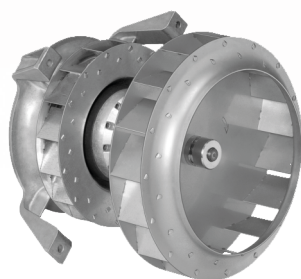
prices as of January, 2024\*

*\*The prices confirmed are the current prices.  
Please note that in the event of an interim price  
increase, the prices will be adjusted.*

Phone: +31 (0)492 50 29 00

# ebmpapst

engineering a better life



**Sales office**

*The Netherlands*

Polbeemd 7  
NL-5741 TP Beek en Donk  
P.O. box 140  
NL-5740 AC Beek en Donk

T: +31(0)492 502 900  
F: +31(0)492 502 950  
E: [verkoop@nl.ebmpapst.com](mailto:verkoop@nl.ebmpapst.com)  
W: [www.ebmpapst.com](http://www.ebmpapst.com)

**Sales**

*Belgium – Luxembourg*

T: +32(0)16 396 200  
F: +32(0)16 396 220  
E: [info@be.ebmpapst.com](mailto:info@be.ebmpapst.com)  
W: [www.ebmpapst.be](http://www.ebmpapst.be)



# Spare parts catalogue

## ebm-papst Benelux

**ebmpapst**

engineering a better life



	Page		Page
<b>Information</b>	<a href="#">4</a>	About ebm-papst	<a href="#">4</a>
		The story of our succes	<a href="#">5</a>
		General information and terms of delivery	<a href="#">6</a>
		Contact information	<a href="#">7</a>
		Product overview	<a href="#">8</a>
<b>Spare parts</b>	<a href="#">16</a>	AC axial fans	<a href="#">16</a> 
		EC axial fans	<a href="#">72</a> 
		AC hotair blowers	<a href="#">92</a> 
		AC centrifugal fans	<a href="#">100</a> 
		EC centrifugal fans	<a href="#">156</a> 
		AC compact fans	<a href="#">214</a> 
		DC compact fans	<a href="#">280</a> 
		Tangential fans	<a href="#">340</a> 
		Motors	<a href="#">344</a> 
		<b>Accessories</b>	<a href="#">348</a>
Inlet rings	<a href="#">351</a>		
Finger guard & filter fan guards	<a href="#">352</a>		
Connection cables	<a href="#">358</a>		
Speed controllers	<a href="#">362</a>		
Converters	<a href="#">364</a>		
<b>Pricelist</b>	<a href="#">367</a>	Complete overview of all product prices	<a href="#">368</a>

Information

Spare parts

Accessories

Pricelist

# About ebm-papst

*As technological leader for ventilation and drive engineering, ebm-papst is in demand as an engineering partner in many industries. With over 15,000 different products, we provide the right solution for just about any challenge. Our fans and drives are reliable, quiet and energy-efficient.*

## Six reasons that make us the ideal partner:

### **Our systems expertise.**

You want the best solution for every project. The interrelationships between ventilation and drive engineering must thus be considered as a whole.

And that's what we do – with motor technology that sets standards, sophisticated electronics and aerodynamic designs – all from a single source and perfectly matched. These system solutions release unique synergies worldwide. And in particular – they relieve you of a lot of work, so that you can concentrate on your core competency.

### **The ebm-papst spirit of invention.**

In addition to our wide range of products, we are always able to develop customized solutions for you. A diversified team of 600 engineers and technicians works at our three locations in Germany: Mulfingen, Landshut and St. Georgen.

Contact us to discuss your next project.

### **Our lead in technology.**

As pioneer and trail-blazer for developing highly efficient EC technology, we are way ahead of other motor manufacturers. Almost all our products are also available with GreenTech EC technology.

The list of benefits is long: higher efficiency, maintenance-free, longer service life, sound reduction, intelligent control characteristics and unrivalled energy efficiency with savings of up to 80 % compared to conventional AC technology. Let our technology be your competitive advantage as you lead in your industry.

### **Closeness to our customers.**

ebm-papst has 25 production locations worldwide (including facilities in Germany, China and the USA), together with 49 sales offices, each of which has a dense network of sales representatives. You will always have a local contact, someone who speaks your language and knows your market.

### **Our standard of quality.**

Of course you can rely on the highest standards of quality with our products. Our quality management is uncompromising, at every step in every process. This is underscored by our certification according to international standards including DIN EN ISO 9001, TS declaration of conformity and DIN EN ISO 14001.

### **Our sustainable approach.**

Assuming responsibility for the environment, for our employees and for society is an integral part of our corporate philosophy. We develop products with an eye to maximum environmental compatibility, in particular resource-preserving production methods. We promote environmental awareness among our young staff and are actively involved in sports, culture and education. That's what makes us a leading company – and an ideal partner for you.

# The story of our succes to *market and technology pioneer.*

- 1963 Founding of **Elektrobau Mulfingen GmbH & Co. KG** by Gerhard Sturm and Heinz Ziehl.
- 1965 First tubeaxial fan developed in EC/DC technology.
- 1966 ebm's success takes off with the new 68 motor.
- 1972 The first ebm foreign subsidiary is established in Sweden.
- 1988 Gerhard Sturm is awarded the Federal Cross of Merit.
- 1990 The sixty-millionth external-rotor fan is produced.
- 1992 Acquisition of **PAPST Motoren GmbH** in St. Georgen.
- 1997 Buyout of the **Landshut (mvl)** plant.
- 1998 Development of first fans with integrated electronics.
- 2003 Change of name to **ebm-papst**.
- 2008 The **HyBlade®** range of fans sets new efficiency standards.
- 2010 **GreenTech** – our sign for energy efficiency and resource preservation.
- 2011 **RadiCal** defines a new standard for EC centrifugal fans.
- 2013 ebm-papst takes over the gearbox specialist Zeitlauf and wins the **German Sustainability Award**.
- 2014 Team partnership with Mercedes AMG PETRONAS Formula 1 team.
- 2015 **RadiPac** pushes the limits of efficiency.
- 2016 **AxiBlade** sets new standards in ventilation, refrigeration and air-conditioning.
- 2018 **GreenIntelligence** - our symbol for high efficient and network capable products



# General information and *terms of delivery*

## General information

Images used in this catalogue are an indication of the products described and may not be photographs of the actual product.

The technical drawings (with dimensions) do match the described product of the page.

The prices printed were current on the day of production of this catalogue. We reserve the right to alter prices at any time without prior notice. The price on our invoice is final.

All orders are shipped ex works.

Our general terms and conditions apply to all our price quotes, orders, etc.

All rights reserved. Nothing from this publication (edition) may be multiplied, saved in an automatic data file, made public, in any shape or way, either electronic, mechanical by photocopy, recording or any other way, without prior written approval from ebmpapst Benelux BV.

## Terms of delivery

### Delivery:

DAP Beek en Donk.

To all our quotations and transactions the general conditions of sales and delivery for the metal- and electro technical industry FME CWM are applicable, as filled with the country-court at The Hague on 19th, October 1998 under number 119/1998. At request we will sent you a copy.

### Transport:

On the basis of calculation before shipment of weight and size.

### Handling costs:

An extra handling fee of € 30,00 to every order with a total value of less than € 250,00 and € 15,00 to every order with a total value of € 250,00 to € 500,00 (net, excl. VAT).

### Payment:

Payable in advance (invoice will be faxed / mailed). When payable in advance goods will be ordered or sent after receipt of payment.



# Contact information

## **ebm-papst Benelux**

*Sales office  
The Netherlands*

Polbeemd 7  
NL-5741 TP Beek en Donk  
P.O. box 140  
NL-5740 AC Beek en Donk

T: +31(0)492 502 900  
F: +31(0)492 502 950  
E: [verkoop@nl.ebmpapst.com](mailto:verkoop@nl.ebmpapst.com)  
W: [www.ebmpapst.com](http://www.ebmpapst.com)

*Sales  
Belgium – Luxembourg*

T: +32(0)16 396 200  
F: +32(0)16 396 220  
E: [info@be.ebmpapst.com](mailto:info@be.ebmpapst.com)  
W: [www.ebmpapst.be](http://www.ebmpapst.be)



# Table of content - *Productoverview*

AC axial fans			
Type (click on type number to go to page)	Direction of Airflow	VAC	m3/h
<a href="#">A2S130AA0301</a>	V	230	325
<a href="#">A2S130AB0311</a>	V	230	325
<a href="#">W2E143AA0901</a>	V	230	375
<a href="#">W2S130AA2501</a>	V	115	325
<a href="#">W2S130BM0301</a>	A	230	380
<a href="#">A2D200AA0201</a>	V	230/400	830
<a href="#">A2D200AA0202</a>	A	230/400	830
<a href="#">A2E200AF0201</a>	V	230	740
<a href="#">A2E200AF0202</a>	A	230	740
<a href="#">W2E200CF0202</a>	A	230	740
<a href="#">A2D250AA0201</a>	V	400	1685
<a href="#">A2D250AA0202</a>	A	400	1685
<a href="#">A2E250AE6501</a>	V	230	1610
<a href="#">A2E250AE6502</a>	A	230	1610
<a href="#">W2E250CE6502</a>	A	230	870
<a href="#">W4S250CA0201</a>	V	230	870
<a href="#">A2D300AD0201</a>	V	230/400	2760
<a href="#">A2D300AD0202</a>	A	230/400	2440
<a href="#">A2E300AC4701</a>	V	230	2440
<a href="#">A2E300AC4702</a>	A	230	1690
<a href="#">S4E300AS7230</a>	V	230	1800
<a href="#">S4E300AS7231</a>	A	230	1800
<a href="#">S4E350AN0230</a>	V	230	3300
<a href="#">S4E350AN0231</a>	A	230	3300
<a href="#">S4E400AP0203</a>	V	230	4235
<a href="#">S4E400AP0204</a>	A	230	4235
<a href="#">S4E450AP0101</a>	V	230	5700



## EC axial fans

Type (click on type number to go to page)	Direction of Airflow	VAC	m <sup>3</sup> /h
<a href="#">W1G200EC8725</a>	V	230	460
<a href="#">W1G200EC9145</a>	V	230	750
<a href="#">W3G300DN0253</a>	A	230	3175
<a href="#">W3G300YN0238</a>	V	230	1770
<a href="#">S3G350AN0132</a>	V	230	3700
<a href="#">W3G450DL03H4</a>	A	230	7355
<a href="#">W3G450IL03H4</a>	A	230	6950
<a href="#">W3G500DA7427</a>	A	230	9430
<a href="#">W3G500IA7427</a>	A	230	8560

## AC hotair blowers

Type (click on type number to go to page)	VAC	m <sup>3</sup> /h
<a href="#">R2S150AA0829</a>	230	190
<a href="#">R2E180AH0506</a>	230	450
<a href="#">R2D225AG0210</a>	230/400	1260

Subject to technical changes.

# Table of content - *Productoverview*

AC centrifugal fans		
Type (click on type number to go to page)	VAC	m3/h
<a href="#">G2E085AA0101</a>	230	85
<a href="#">G2E108AA0101</a>	230	155
<a href="#">G2E120AR7701</a>	230	260
<a href="#">G2E140AE7701</a>	230	380
<a href="#">R2E140AE7705</a>	230	380
<a href="#">G2E140AI2801</a>	230	500
<a href="#">G2E160AY5091</a>	230	595
<a href="#">R2E160AY4701</a>	230	590
<a href="#">G2E180EH0301</a>	230	755
<a href="#">D2E097BK8002</a>	230	400
<a href="#">D2E097CB0102</a>	230	180
<a href="#">D2E133AM4701</a>	230	710
<a href="#">D2E133DM4701</a>	230	760
<a href="#">D4E133AH0155</a>	230	515
<a href="#">D2E146AP4722</a>	230	970
<a href="#">D2E146HS9701</a>	230	760
<a href="#">D2E146HT6702</a>	230	1060
<a href="#">D4E200CA0202</a>	230	2375
<a href="#">D4E225CC0121</a>	230	2975
<a href="#">R2S175AB5601</a>	230	445
<a href="#">R2E180AS7705</a>	230	555
<a href="#">R2E190AO2605</a>	230	570
<a href="#">R2E190RA2605</a>	230	540
<a href="#">R2E220RA3801</a>	230	865
<a href="#">R2E225AT5105</a>	230	825
<a href="#">R2E225BD9209</a>	230	1210
<a href="#">R2E280AE5205</a>	230	2110

## EC centrifugal fans

Type (click on type number to go to page)	VAC	m <sup>3</sup> /h
<a href="#">D3G133BF0503</a>	230	880
<a href="#">D3G146LV0531</a>	230	1155
<a href="#">D3G146LV1333</a>	230	1155
<a href="#">D3G146HQ1334</a>	230	1080
<a href="#">G3G160RF3103</a>	230	560
<a href="#">G3G190RD4503</a>	230	855
<a href="#">K3G133RA0103</a>	230	280
<a href="#">8300100028</a>	230	695
<a href="#">8300100183</a>	230	975
<a href="#">8300100170</a>	230	1310
<a href="#">8300100177</a>	230	1430
<a href="#">K3G250AV29B2</a>	230	3120
<a href="#">K3G310PT08J2</a>	400	5280
<a href="#">K3G400RS03H2</a>	230	5770

Subject to technical changes.

# Table of content - *Productoverview*

AC axial compact fans				
Type (click on type number to go to page)	Type	Size (mm)	VAC	m3/h
<a href="#">9244014343</a>	8880 N	80x80x38	230	30
<a href="#">9274014208</a>	8550 N	80x80x38	230	50
<a href="#">9274014210</a>	8556 N	80x80x38	230	50
<a href="#">9244014696</a>	8556 N-696	80x80x38	230	50
<a href="#">9244014686</a>	8526 VWR-686	80x80x38	24	47
<a href="#">9244014700</a>	3656	92x92x38	230	75
<a href="#">9282708001</a>	9956	119x119x25	230	117
<a href="#">9274014111</a>	4850 N	119x119x38	230	100
<a href="#">9274014115</a>	4550 N	119x119x38	230	145
<a href="#">9274014351</a>	4650 N	119x119x38	230	160
<a href="#">9274014139</a>	4656 N	119x119x38	230	160
<a href="#">9244014942</a>	4656 EZ	Ø108x39	230	125
<a href="#">9244014827</a>	4850 ZW	119x119x38	230	98
<a href="#">9244014857</a>	4856 Z-857	119x119x38	230	98
<a href="#">9244014840</a>	4586 Z	119x119x38	230	115
<a href="#">9244014805</a>	4650 ZW	119x119x38	230	160
<a href="#">9274014465</a>	4650 N-465	119x119x38	230	158
<a href="#">9274014800</a>	4656 Z	119x119x38	230	160
<a href="#">9274014804</a>	4656 ZW	119x119x38	230	160
<a href="#">9244014896</a>	4656 TZ	Ø108x37	230	125
<a href="#">9274014147</a>	4606 N	119x119x38	115	180
<a href="#">8315100206</a>	AxiAci 120-IP20	119x119x38	195-265	175
<a href="#">8315100075</a>	AxiAci 120-IP65	119x119x38	195-265	175
<a href="#">9245012001</a>	5656 S	135x135x38	230	235
<a href="#">W2S130AA0301</a>		Ø150x55	230	340
<a href="#">W2E142BB0101</a>		150x172x38	230	325
<a href="#">W2E143AB0901</a>		Ø172x51	230	420
<a href="#">W2E200HK3801</a>		225x225x80	230	885
<a href="#">W2E250HL0619</a>		280x280x80	230	1835

## DC axial compact fans

Type (click on type number to go to page)	Type	Size (mm)	VDC	m <sup>3</sup> /h
<a href="#">9291705005</a>	414 F	40x40x10	24	8
<a href="#">9291708001</a>	412	40x40x20	12	10
<a href="#">9291708002</a>	414	40x40x20	24	10
<a href="#">9291708612</a>	614 F	60x60x15	24	29
<a href="#">9292206172</a>	612 NGMLE	60x60x25	12	25
<a href="#">9292207008</a>	624 N	60x60x25	24	40
<a href="#">9272206072</a>	614 NH	60x60x25	24	43
<a href="#">9292206033</a>	614 NHH	60x60x25	24	56
<a href="#">9292308004</a>	634 NU	60x60x25	24	40
<a href="#">9292506125</a>	8412 N	80x80x25	12	69
<a href="#">9292506126</a>	8414 N	80x80x25	24	69
<a href="#">9292506124</a>	8414 NH	80x80x25	24	79
<a href="#">9292506475</a>	8414 NMU	80x80x25	24	58
<a href="#">9292506110</a>	8414 NGH	80x80x25	24	79
<a href="#">9294303004</a>	8314	80x80x32	24	54
<a href="#">9292506324</a>	3412 N	92x92x25	12	84
<a href="#">9292506320</a>	3414 NHH	92x92x25	24	102
<a href="#">9293510112</a>	3314 NHHU	92x92x32	24	104
<a href="#">9293505434</a>	4412 FGML	119x119x25	12	114
<a href="#">9293505446</a>	4412 FG	119x119x25	12	170
<a href="#">9293505405</a>	4414 F	119x119x25	24	170
<a href="#">9293510701</a>	4314 NN	119x119x32	24	190
<a href="#">9293510702</a>	4314 NNU	119x119x32	24	187
<a href="#">9293510560</a>	4414 ML	119x119x38	24	168
<a href="#">9293510524</a>	4414 HH	119x119x38	24	285
<a href="#">9294310103</a>	4184 NX	119x119x38	24	168
<a href="#">9295410121</a>	7114 N	150x38	24	308
<a href="#">9295414502</a>	DV 6224	172x51	24	540

Subject to technical changes.

# Table of content - *Productoverview*

## Tangential fans

Type (click on type number to go to page)	Type	Motor	VAC	m3/h
<a href="#">55410.81610</a>	<a href="#">QLZ06/1800</a>	Right side	230	150

## Q Motors

Type (click on type number to go to page)	VAC
<a href="#">M4Q045...</a>	230
<a href="#">M4S068BF08...</a>	230

## Accessoires

- [Capacitors](#)
- [Inlet rings](#)
- [Finger guards](#)
- [Finger guards compact fans](#)
- [Filter fan guards](#)
- [Connection cables](#)
- [Speed controllers](#)
- [Converters](#)

## Pricelist

[Complete overview of all product prices](#)

Subject to technical changes.





# AC axial fans

**ebmpapst**

engineering a better life

# A2S130AA0301

AC axial fans

[Back to product overview:](#)



### Material/surface

- Rotor open, coated black
- Steelplate blades, coated black
- Number of blades: 7

### Technical description

- Direction of rotation: Counterclockwise, seen on rotor
- Protection: IP20
- Isolation: B
- Mounting position: Any
- Mode of operation: Continuous (S1)
- Bearings: Ball bearing
- Motor protection: Thermal Overload Protector (TOP) - wired internally
- Cable: Variable, 380 mm

### Conformity with standards

- Norm: EN 60335-1; CE

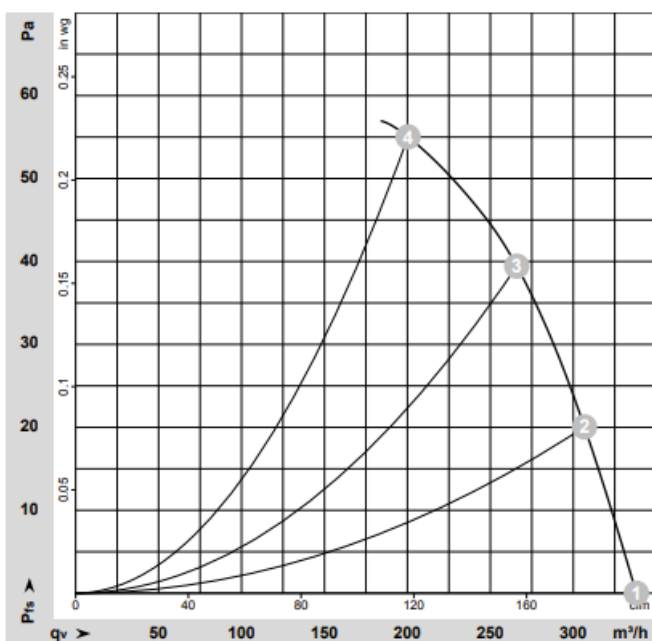
Go to	<a href="#">Pricelist</a>
Go to	<a href="#">Accessories</a>
Link to	<a href="#">ebm-papst operating instructions</a>
More at	<a href="http://www.ebmpapst.nl">www.ebmpapst.nl</a>

Nominal Data		Voltage	Frequency	Max. Air flow	Speed	Power consumption	Current draw	Capacitor capacity	Sound pressure level	Max. Back pressure	Perm. ambient temp.	Weight
Type	Motor	VAC	Hz	m3/h	rpm	W	A	μF/V	dB(A)	Pa	C	kg
A2S130AA0301	M2S052-CA	230	50	325	2800	45	0,31	-	49	80	-25..+50	0,9
		230	60	380	3250	39	0,25	-	53	120	-25..+70	

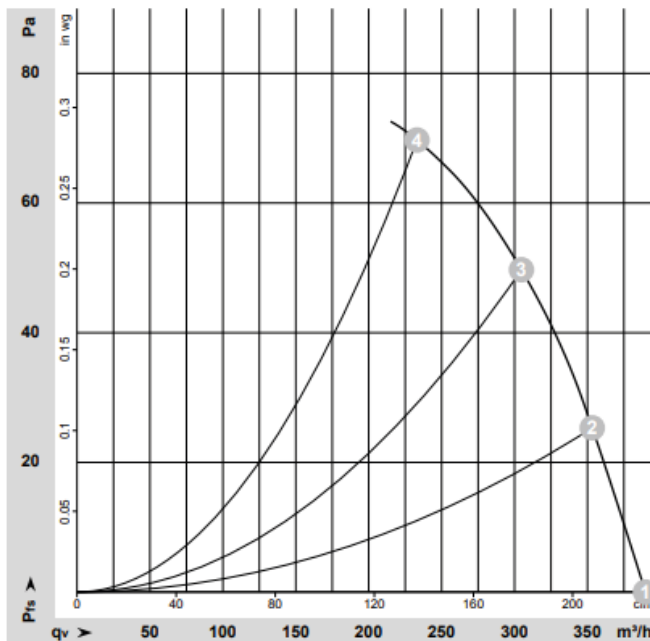
Subject to modification

[Pricelist](#)

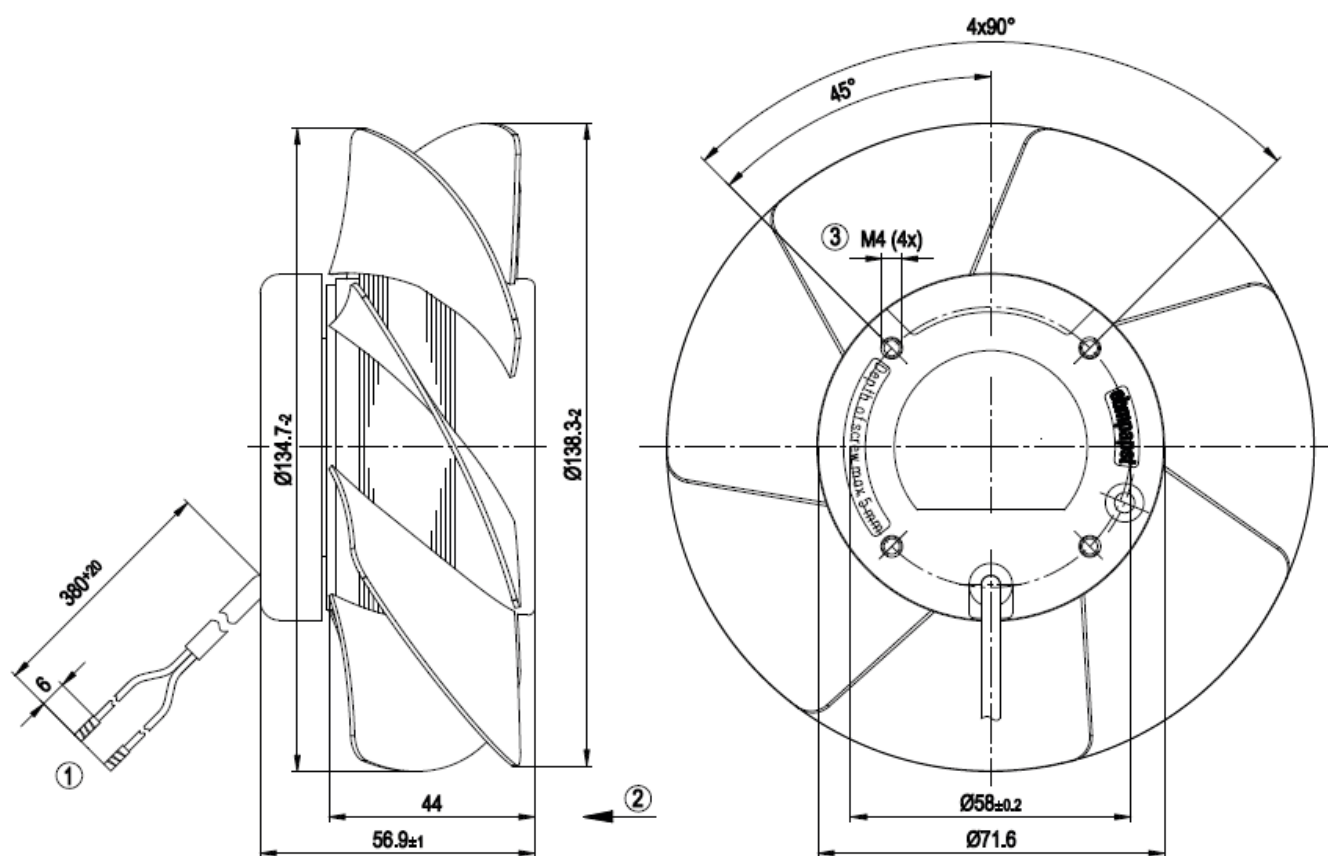
Pressure over air flow at 50Hz



Pressure over air flow at 60Hz

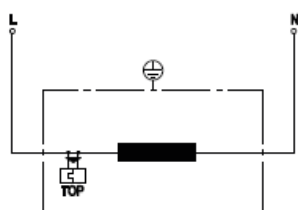


## Drawing



- |   |   |
|---|---|
| 1 | Connection line AWG20, 2x brass lead tips crimped |
| 2 | Direction of air flow "V"                         |
| 3 | Depth of screw max. 5 mm                          |

## Connection illustration



- |     |                              |
|-----|------------------------------|
| L   | = black                      |
| N   | = black                      |
| TOP | = Thermal overload protector |

# A2S130AB0311

AC axial fans

[Back to product overview:](#)



### Material/surface

- Rotor coated black
- Steelplate blades, coated black
- Number of blades: 7

### Technical description

- Direction of rotation: Counterclockwise, seen on rotor
- Protection: IP44
- Isolation: B
- Mounting position: Any
- Mode of operation: Continuous (S1)
- Bearings: Ball bearing
- Motor protection: Thermal Overload Protector (TOP) - wired internally
- Cable: Variable, 380 mm

### Conformity with standards

- Norm: EN 60335-1; CE

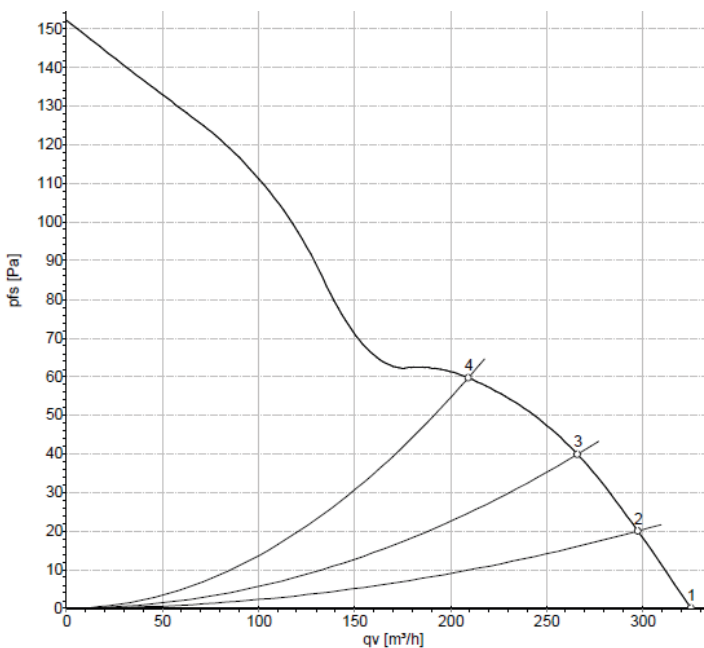
Go to	<a href="#">Pricelist</a>
Go to	<a href="#">Accessories</a>
Link to	<a href="#">ebm-papst operating instructions</a>
More at	<a href="http://www.ebmpapst.nl">www.ebmpapst.nl</a>

Nominal Data		Voltage	Frequency	Max. Air flow	Speed	Power consumption	Current draw	Capacitor capacity	Sound pressure level	Max. Back pressure	Perm. ambient temp.	Weight
Type	Motor	VAC	Hz	m3/h	rpm	W	A	μF/V	dB(A)	Pa	C	kg
A2S130AB0311	M2S052-CA	230	50	325	2800	50	0,3	-	49	60	-25..+30	0,9
		230	60	380	3250	39	0,25	-	53	120	-25..+60	

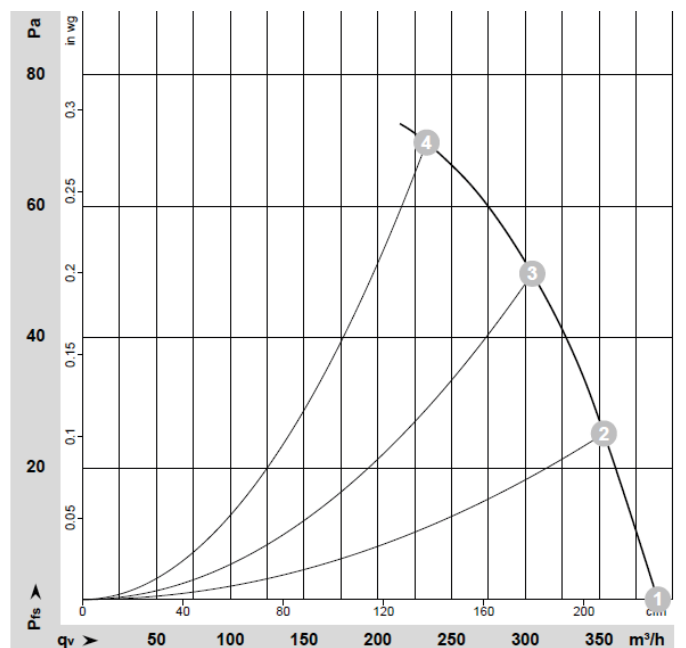
Subject to modification

[Pricelist](#)

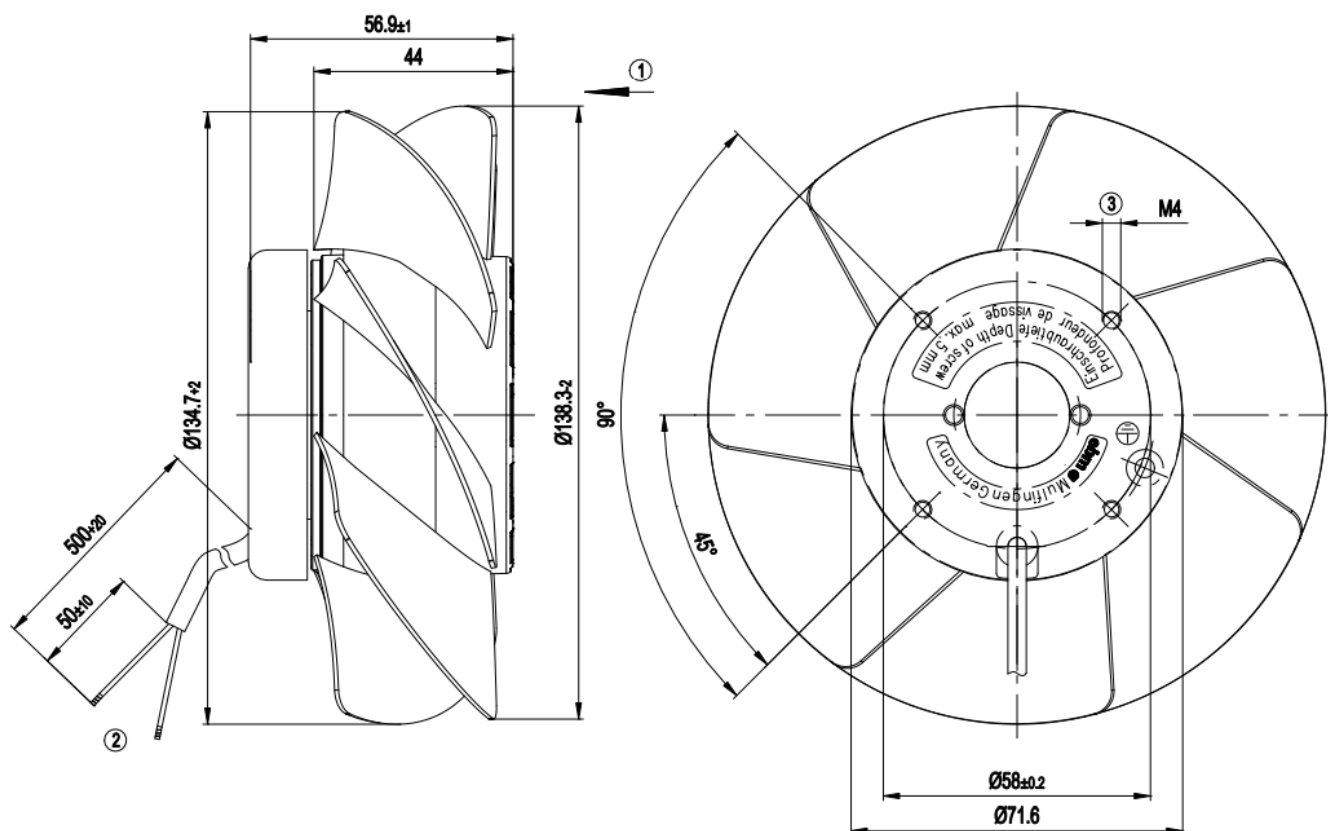
Pressure over air flow at 50Hz



Pressure over air flow at 60Hz

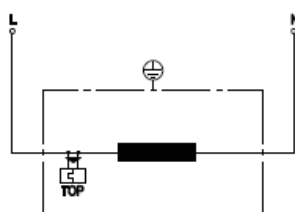


Drawing



1	Direction of air flow "V"
2	Cable AWG 20, 2x crimped ferrules
3	Max. clearance for screw 5 mm

Connection illustration



L	= black
N	= black
TOP	= Thermal overload protector

# W2E143AA0901

AC axial fans



[Back to product overview:](#)



## Material/surface

- Rotor open, coated black
- Steelplate blades, coated black
- Number of blades: 5

## Technical description

- Direction of rotation: Counterclockwise, seen on rotor
- Protection: IP44
- Isolation: B
- Mounting position: Any
- Mode of operation: Continuous (S1)
- Bearings: Ball bearing
- Motor protection: Thermal Overload Protector (TOP) - wired internally

## Conformity with standards

- Norm: EN 60335-1; CE

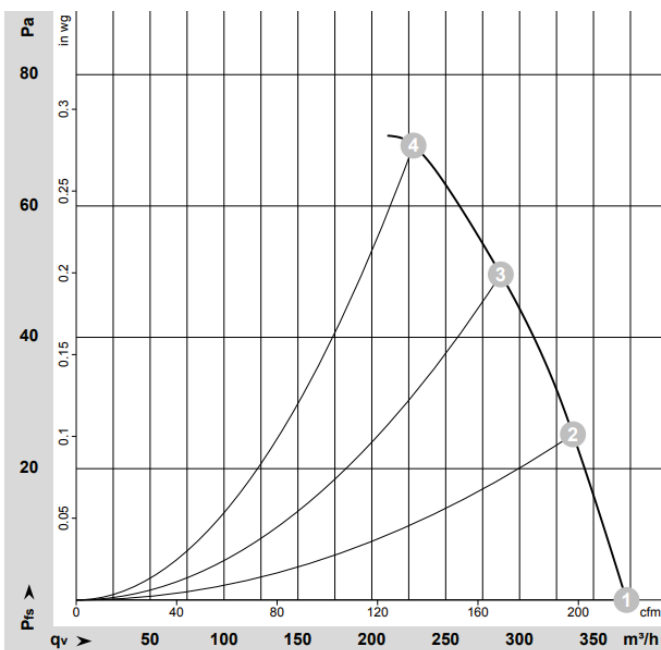
Go to	<a href="#">Pricelist</a>
Go to	<a href="#">Accessories</a>
Link to	<a href="#">ebm-papst operating instructions</a>
More at	<a href="http://www.ebmpapst.nl">www.ebmpapst.nl</a>

Nominal Data		Voltage	Frequency	Max. Air flow	Speed	Power consumption	Current draw	Capacitor capacity	Sound pressure level	Max. Back pressure	Perm. ambient temp.	Weight
Type	Motor	VAC	Hz	m3/h	rpm	W	A	µF/V	dB(A)	Pa	°C	kg
W2E143AA0901	M2E052-BF	230	50	375	2800	24	0,12	-	55	70	-25..+70	1,0
		230	60	440	3300	26	0,11	-	60	90	-25..+70	

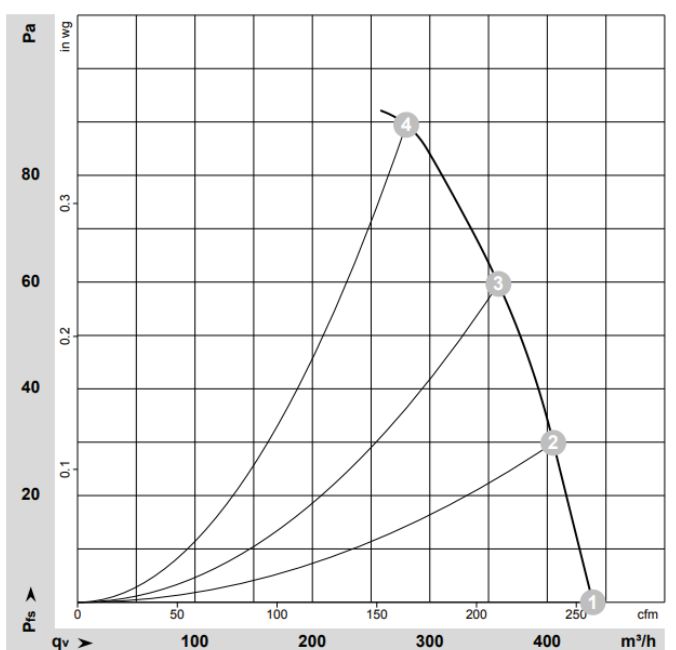
Subject to modification

[Pricelist](#)

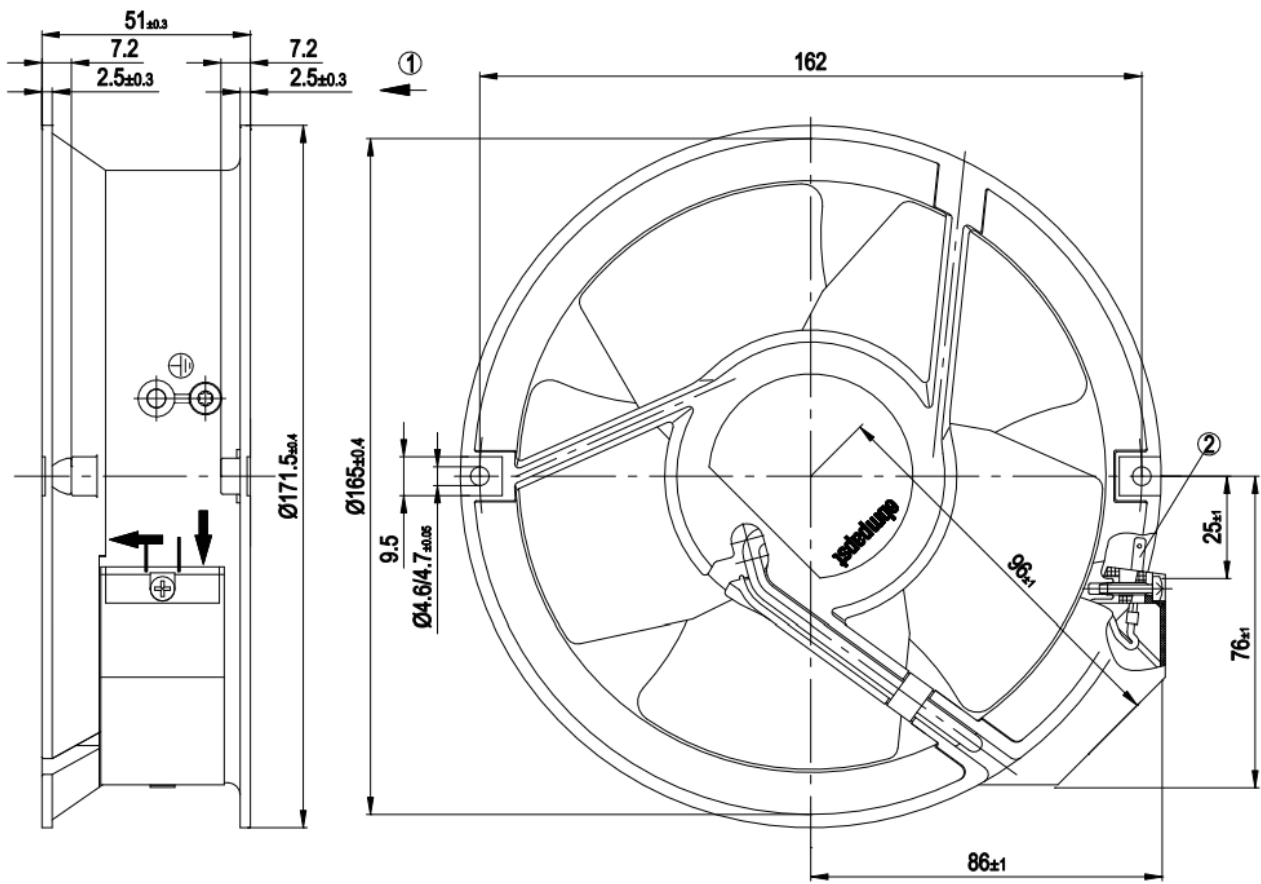
Pressure over air flow at 50Hz



Pressure over air flow at 60Hz



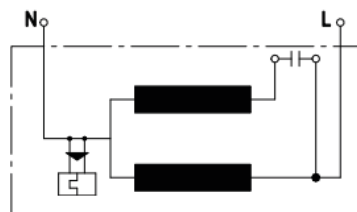
## Drawing



- |   |                           |
|---|---------------------------|
| 1 | Direction of air flow "V" |
| 2 | Flat plug 2.8 x 0.5 mm    |

Spare parts

## Connection illustration



# W2S130AA2501

AC axial fans



[Back to product overview:](#)



## Material/surface

- Rotor open, coated black
- Steelplate blades, coated black
- Number of blades: 7

## Technical description

- Direction of rotation: Counterclockwise, seen on rotor
- Protection: IP20
- Isolation: B
- Mounting position: Any
- Mode of operation: Continuous (S1)
- Bearings: Ball bearing
- Motor protection: Thermal Overload Protector (TOP) - wired internally

## Conformity with standards

- Norm: EN 60335-1; CE

[Go to Pricelist](#)

[Go to Accessories](#)

[Link to ebm-papst operating instructions](#)

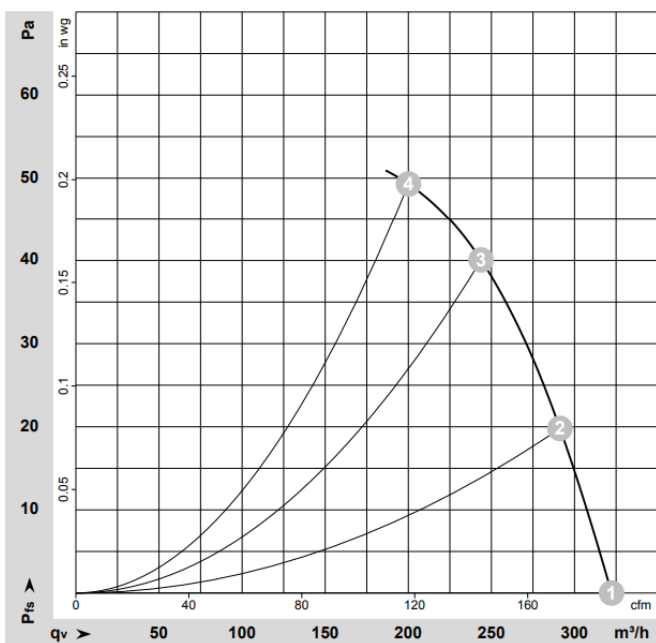
[More at www.ebmpapst.nl](#)

Nominal Data	Motor	Voltage	Frequency	Max. Air flow	Speed	Power consumption	Current draw	Capacitor capacity	Sound pressure level	Max. Back pressure	Perm. ambient temp.	Weight
Type	M2S052-CA	VAC	Hz	m3/h	rpm	W	A	µF/V	dB(A)	Pa	C	kg
W2S130AA2501		115	50	325	2800	41	0,56	-	49	80	-25..+50	1,1
		115	60	380	3250	38	0,47	-	53	120	-25..+70	

Subject to modification

[Pricelist](#)

Pressure over air flow at 50Hz

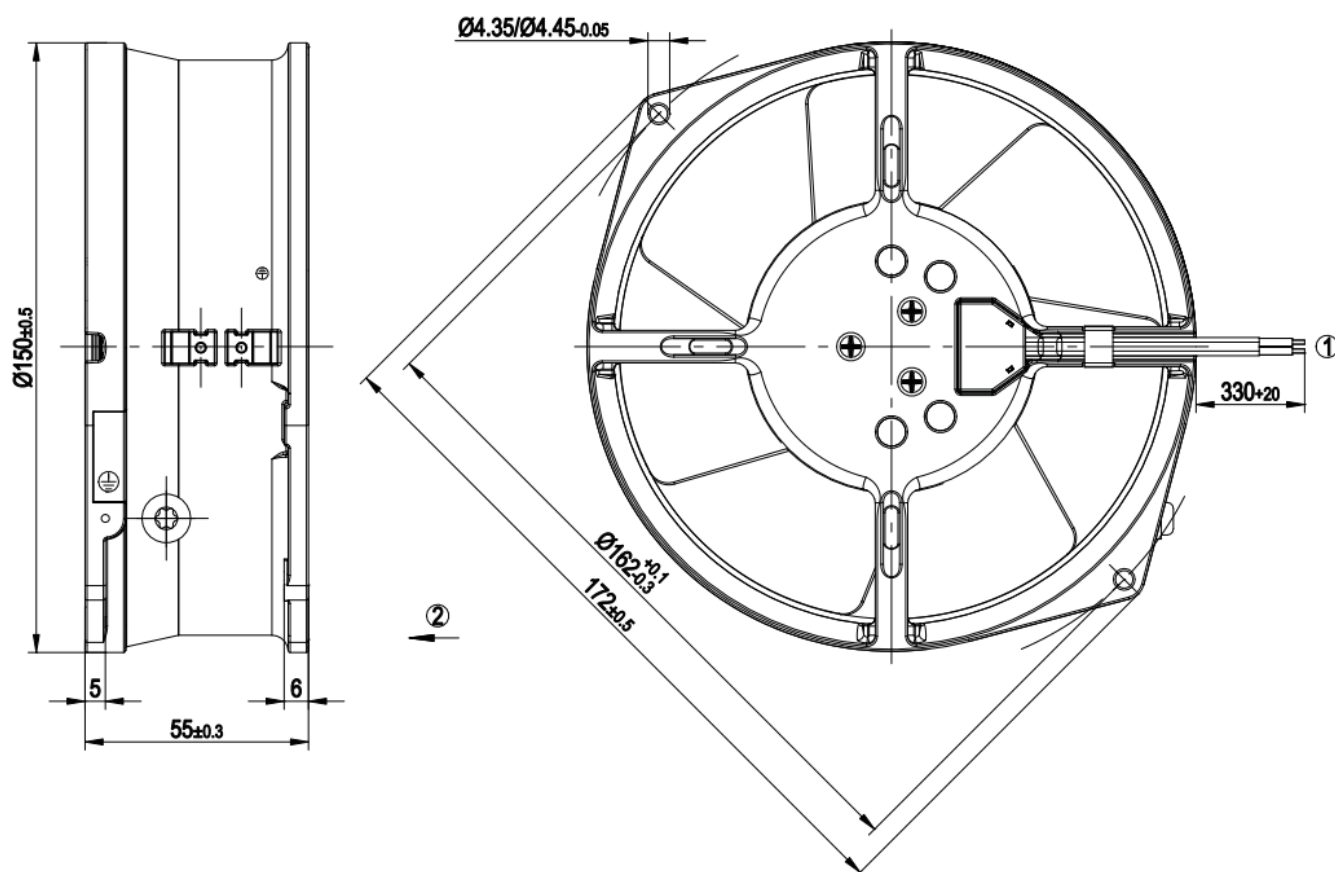


Pressure over air flow at 60Hz



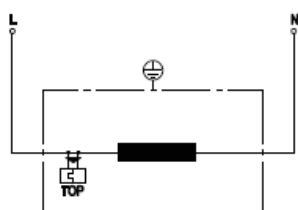


## Drawing



- |   |                                  |
|---|----------------------------------|
| 1 | Cable AWG 20, 2x crimped splices |
| 2 | Direction of air flow "V"        |

## Connection illustration



- |     |                              |
|-----|------------------------------|
| L   | = black                      |
| N   | = black                      |
| TOP | = Thermal overload protector |

# W2S130BM0301

AC axial fans



[Back to product overview:](#)



## Material/surface

- Rotor open, coated black
- Steelplate blades, coated black
- Number of blades: 5

## Technical description

- Direction of rotation: Counterclockwise, seen on rotor
- Protection: IP20
- Isolation: B
- Mounting position: Any
- Mode of operation: Continuous (S1)
- Bearings: Ball bearing
- Motor protection: Thermal Overload Protector (TOP) - wired internally

## Conformity with standards

- Norm: EN 60335-1; CE

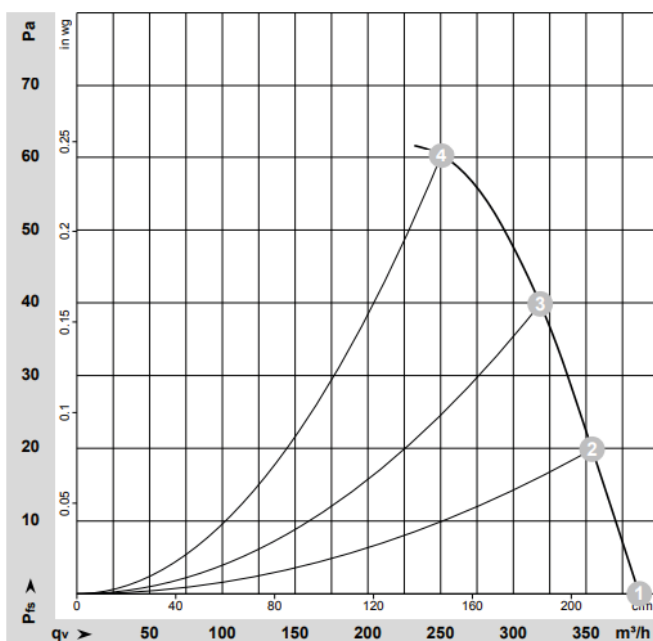
Go to	<a href="#">Pricelist</a>
Go to	<a href="#">Accessories</a>
Link to	<a href="#">ebm-papst operating instructions</a>
More at	<a href="http://www.ebmpapst.nl">www.ebmpapst.nl</a>

Nominal Data		Voltage	Frequency	Max. Air flow	Speed	Power consumption	Current draw	Capacitor capacity	Sound pressure level	Max. Back pressure	Perm. ambient temp.	Weight
Type	Motor	VAC	Hz	m3/h	rpm	W	A	µF/V	dB(A)	Pa	C	kg
W2S130BM0301	MS2052-CA	230	50	380	2700	47	0,31	-	60	60	-25..+50	1,1
		230	60	425	3050	46	0,27	-	62	75	-25..+70	

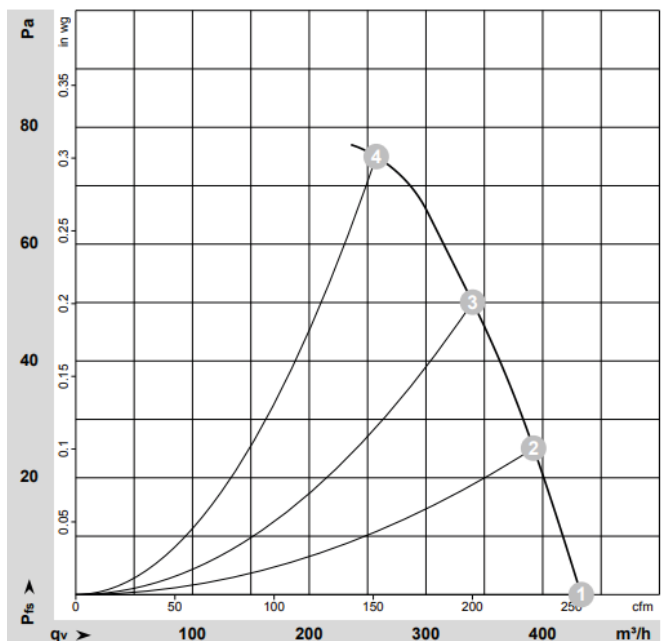
Subject to modification

[Pricelist](#)

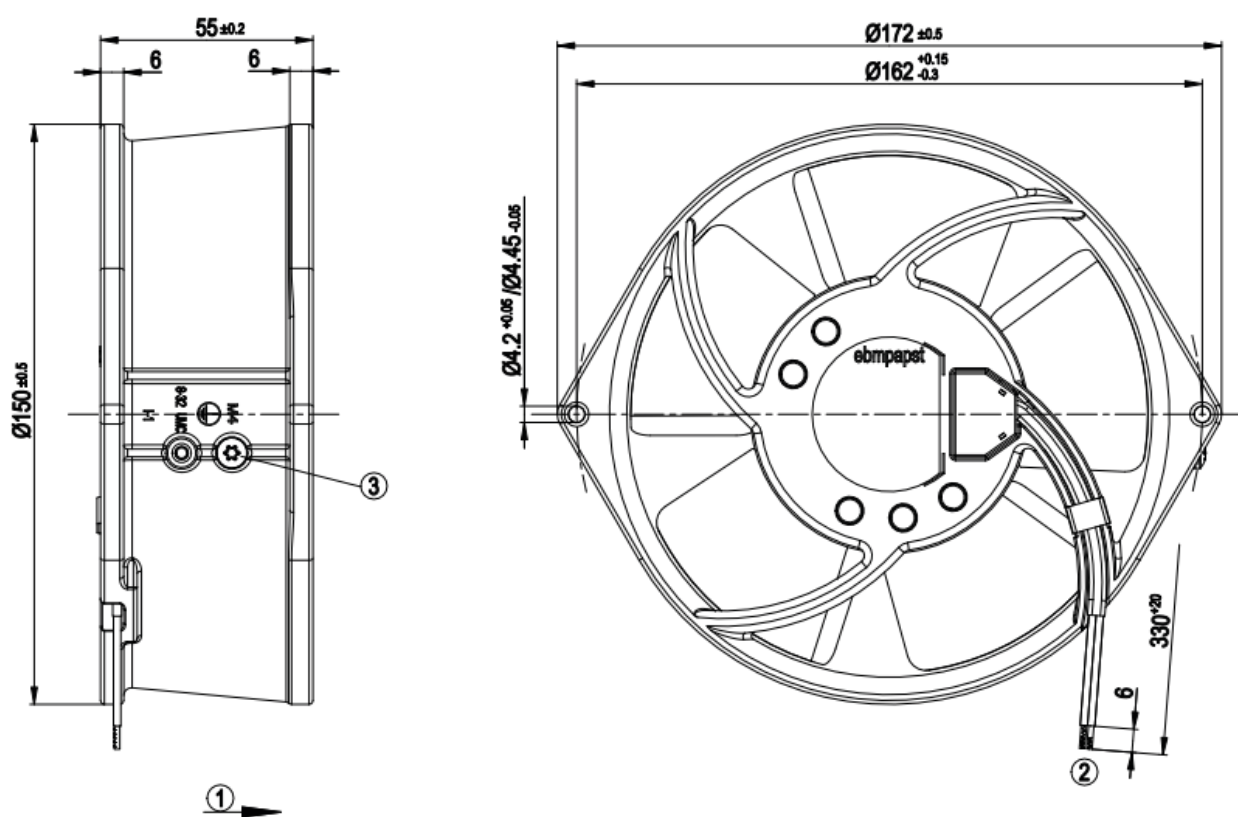
Pressure over air flow at 50Hz



Pressure over air flow at 60Hz

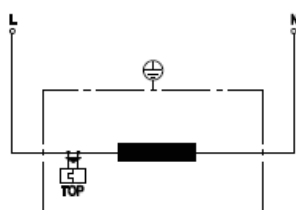


## Drawing



1	Direction of air flow "A"
2	Cable AWG20, 2x crimped splices
3	M4 screw for fastening ground connector

## Connection illustration



L	= black
N	= black
TOP	= Thermal overload protector

# A2D200AA0201

AC axial fans



[Back to product overview:](#)



## Material/surface

- Rotor coated black
- Steelplate blades, coated black
- Number of blades: 5

## Technical description

- Direction of rotation: Left CCW, seen on rotor
- Protection: IP44
- Isolation: B
- Condensate discharges: Rotor side
- Mounting position: Free, rotor on top on request
- Mode of operation: Continuous (S1)
- Bearings: Maintenance free ball bearings
- Motor protection: Integrated temperature switches
- Cable: Axial out of stator, 380 mm

## Conformity with standards

- Norm: EN 60335-1; CE

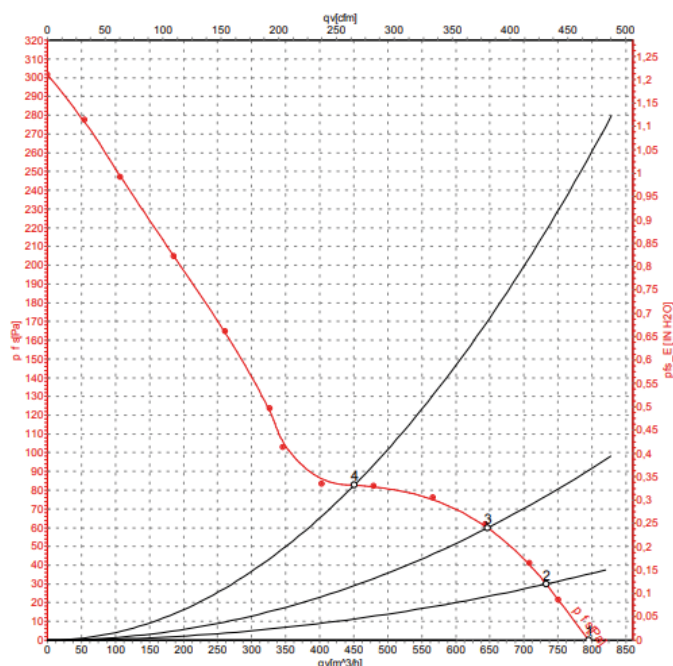
Go to	<a href="#">Pricelist</a>
Go to	<a href="#">Accessories</a>
Link to	<a href="#">ebm-papst operating instructions</a>
More at	<a href="#">www.ebmpapst.nl</a>

Nominal Data	Motor	Voltage	Frequency	Max. Air flow	Speed	Power consumption	Current draw	Capacitor capacity	Sound pressure level	Max. Back pressure	Perm. ambient temp.	Weight
Type	VAC	Hz	m3/h	rpm	W	A	µF/V	dB(A)	Pa	C	kg	
A2D200AA0201	M2D068-CF	230	50/60	830	2800	53	0,26	-	67	200	-25..+75	1,7
		400	50/60	830	2800	53	0,15	-	67	200	-25..+75	

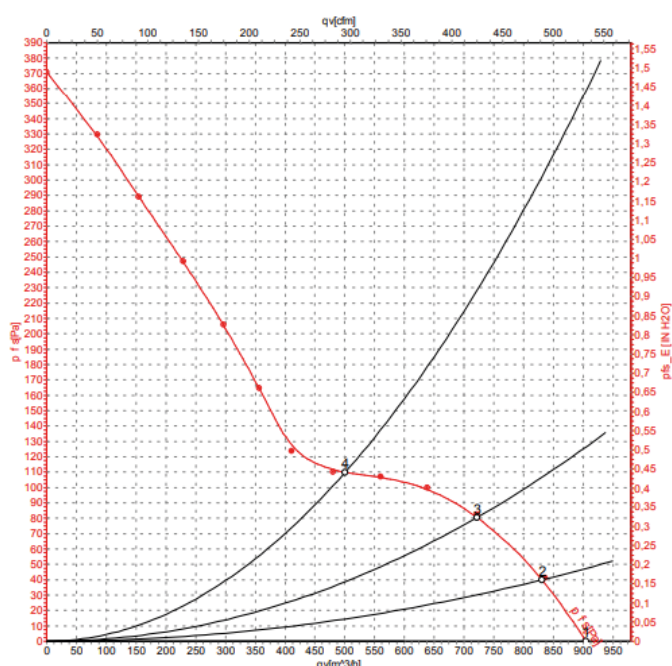
Subject to modification

[Pricelist](#)

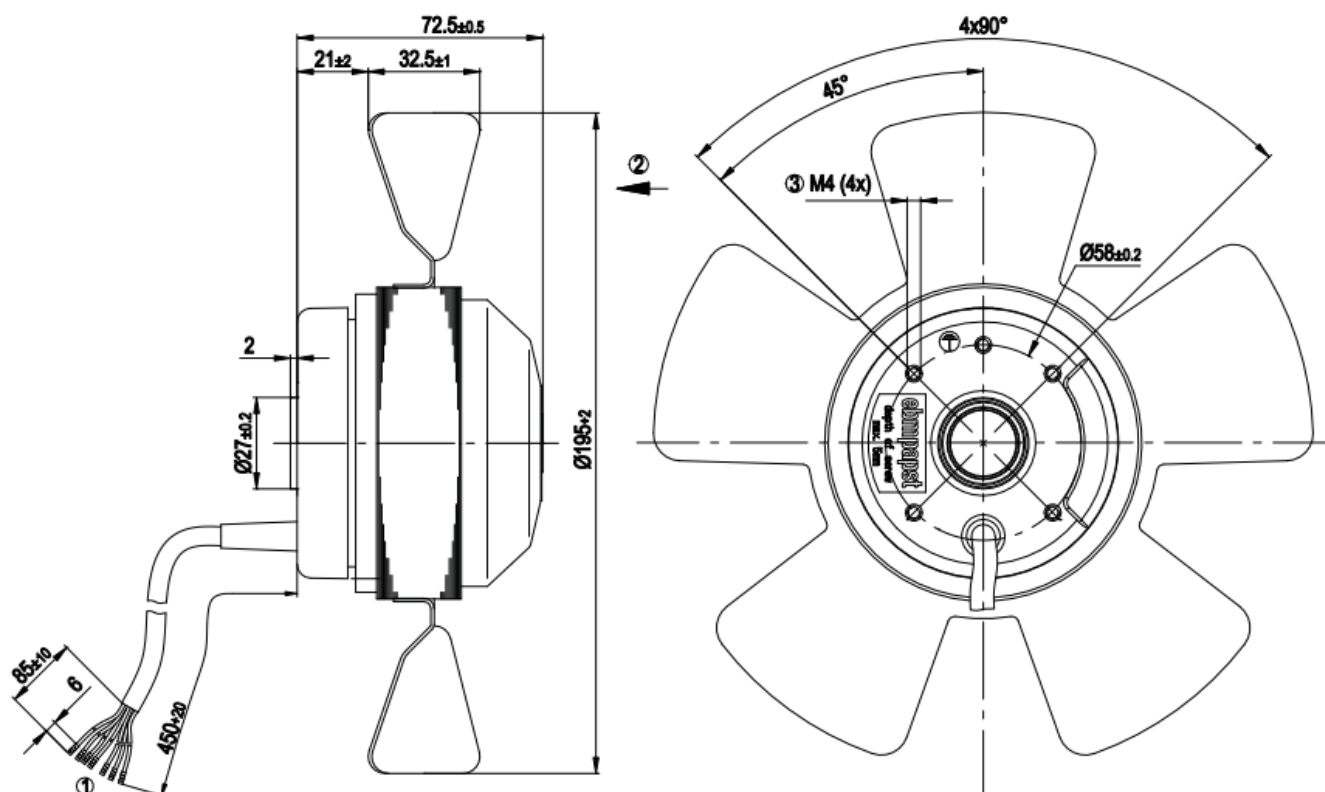
Pressure over air flow at 50Hz - 400V



Pressure over air flow at 60Hz - 400V

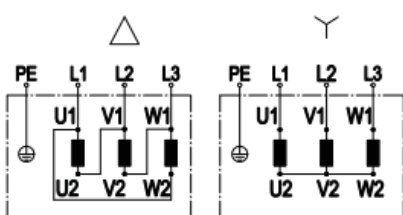


Drawing



- 1 Cable PVC 7G 0.5 mm<sup>2</sup>, 7x crimped splices
- 2 Direction of air flow "V"
- 3 Max. clearance for screw 5 mm

Connection illustration



Change of rotation direction by reversing two phases

	Three-phase motor	Δ	Delta connection	Y	Star connection
L1	= U1 = black	L2	= V1 = blue	L3	= W1 = brown
U2	green	V2	white	W2	yellow
PE	green/yellow				

# A2D200AA0202

AC axial fans



[Back to product overview:](#)



## Material/surface

- Rotor coated black
- Steelplate blades, coated black
- Number of blades: 5

## Technical description

- Direction of rotation: Right CW, seen on rotor
- Protection: IP44
- Isolation: B
- Condensate discharges: Rotor side
- Mounting position: Free, rotor on top on request
- Mode of operation: Continuous (S1)
- Bearings: Maintenance free ball bearings
- Motor protection: Integrated temperature switches
- Cable: Axial out of stator, 450 mm

## Conformity with standards

- Norm: EN 60335-1; CE

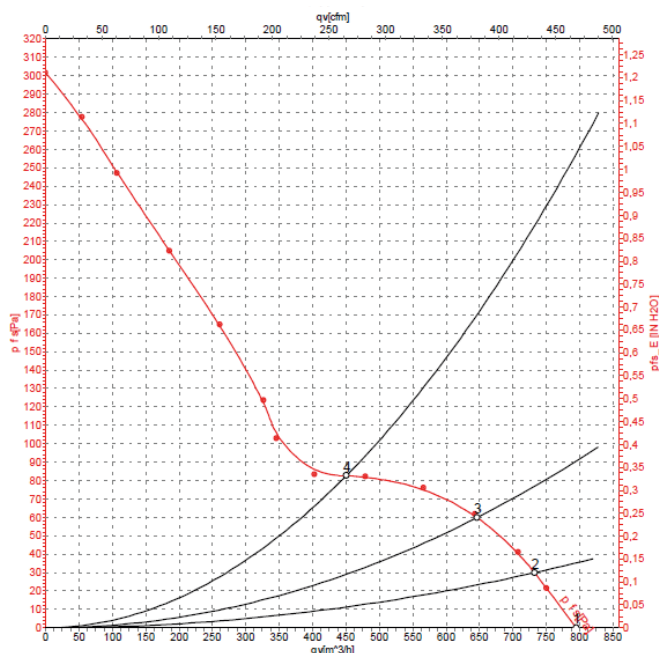
Go to	<a href="#">Pricelist</a>
Go to	<a href="#">Accessories</a>
Link to	<a href="#">ebm-papst operating instructions</a>
More at	<a href="#">www.ebmpapst.nl</a>

Nominal Data	Motor	Voltage	Frequency	Max. Air flow	Speed	Power consumption	Current draw	Capacitor capacity	Sound pressure level	Max. Back pressure	Perm. ambient temp.	Weight
Type	VAC	Hz	m3/h	rpm	W	A	μF/V	dB(A)	Pa	C	kg	
A2D200AA0202	M2D068-CF	230	50/60	830	2800	53	0,26	-	67	200	-25..+75	1,7
		400	50/60	830	2800	53	0,15	-	67	200	-25..+75	

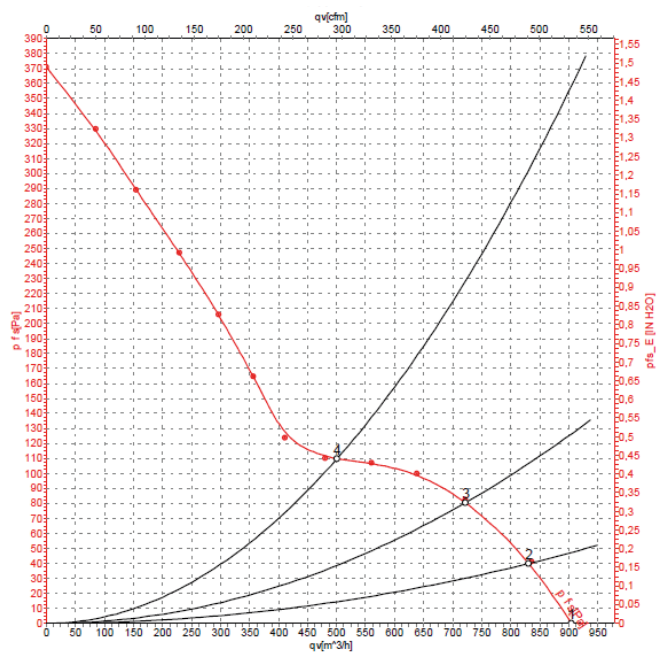
Subject to modification

[Pricelist](#)

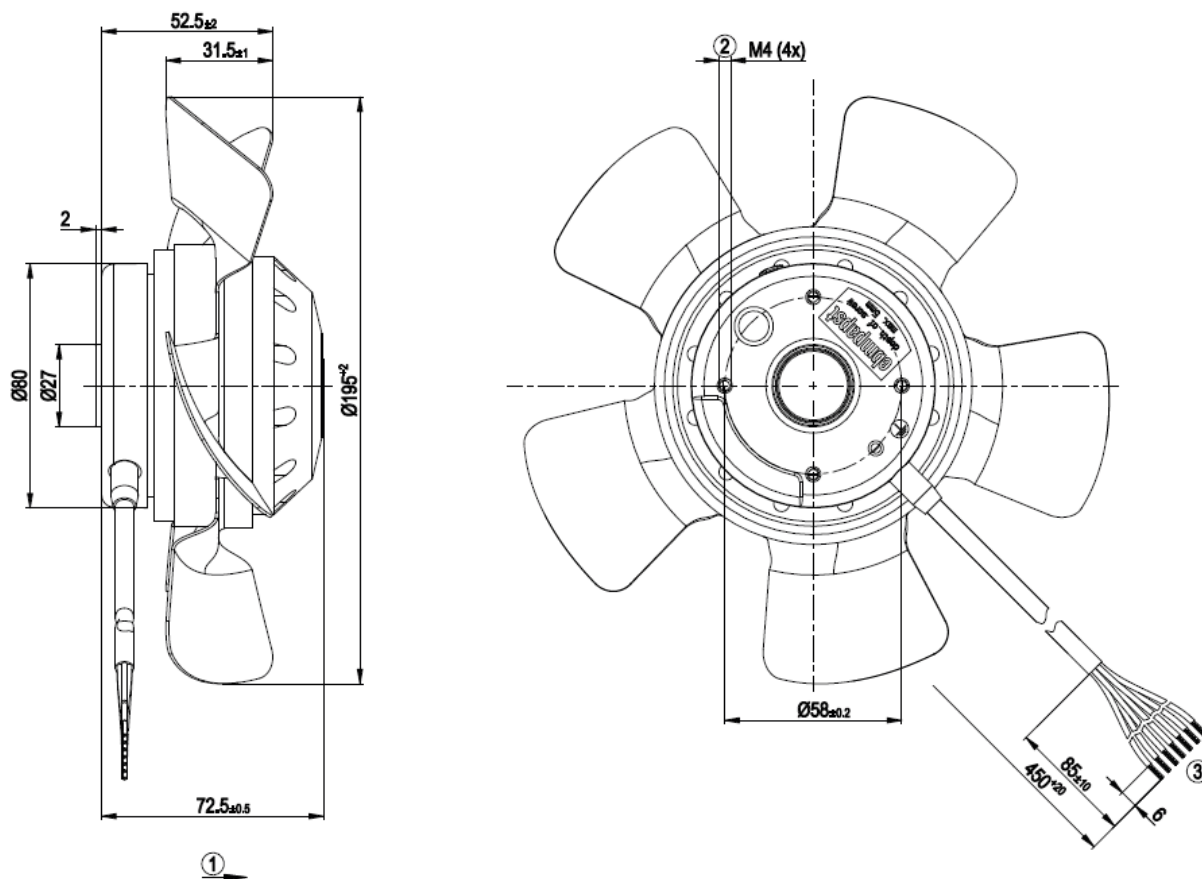
Pressure over air flow at 50Hz



Pressure over air flow at 60Hz

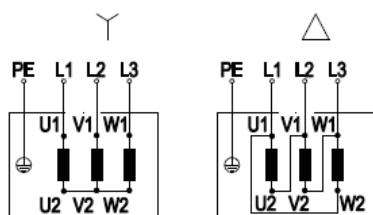


Drawing



1	Direction of air flow "A"
2	Max. clearance for screw 5 mm
3	Cable PVC 7G 0.5 mm², 7x crimped splices

Connection illustration



Y	Star connection	Δ	Delta connection	L1	= U1 = black
U2	green	L2	= V1 = blue	V2	white
L3	= W1 = brown	W2	yellow	PE	green/yellow

# A2E200AF0201

AC axial fans



[Back to product overview:](#)



### Material/surface

- Rotor coated black
- Steelplate blades, coated black
- Number of blades: 5

### Technical description

- Direction of rotation: Left CCW, seen on rotor
- Protection: IP44
- Isolation: B
- Condensate discharges: Rotor side
- Mounting position: Free, rotor on top on request
- Mode of operation: Continuous (S1)
- Bearings: Maintenance free ball bearings
- Motor protection: Integrated temperature switches
- Cable: Axial out of stator, 450 mm

### Conformity with standards

- Norm: EN 60335-1; CE

Go to	<a href="#">Pricelist</a>
Go to	<a href="#">Accessories</a>
Link to	<a href="#">ebm-papst operating instructions</a>
More at	<a href="#">www.ebmpapst.nl</a>

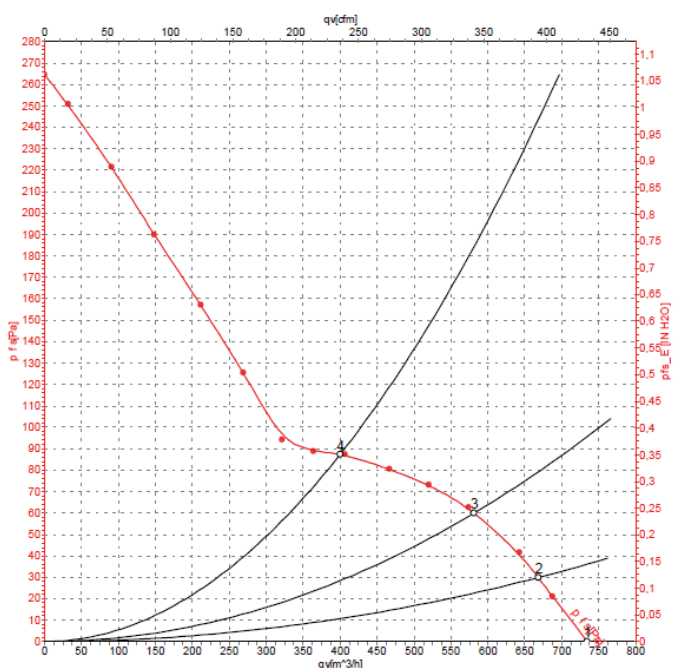
Nominal Data	Motor	Voltage	Frequency	Max. Air flow	Speed	Power consumption	Current draw	Capacitor capacity	Sound pressure level	Max. Back pressure	Perm. ambient temp.	Weight
Type	M2E068CA	VAC	Hz	m3/h	rpm	W	A	μF/V	dB(A)	Pa	C	kg
A2E200AF0201		230	50	740	2740	50	0,24	1,5/400	65	200	-25..+75	1,4
		230	60	830	3120	61	0,28	1,5/400	69	200	-25..+75	

Subject to modification

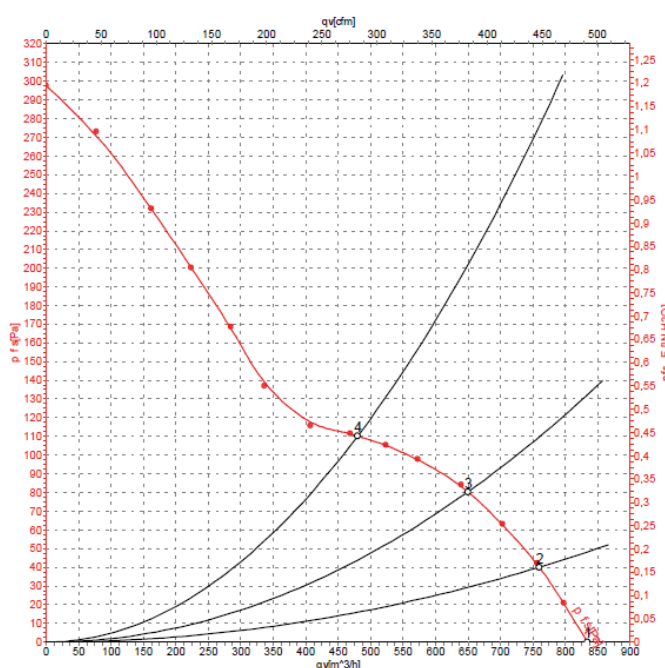
[Pricelist](#)

Capacitor [280F00032](#)

Pressure over air flow at 50Hz

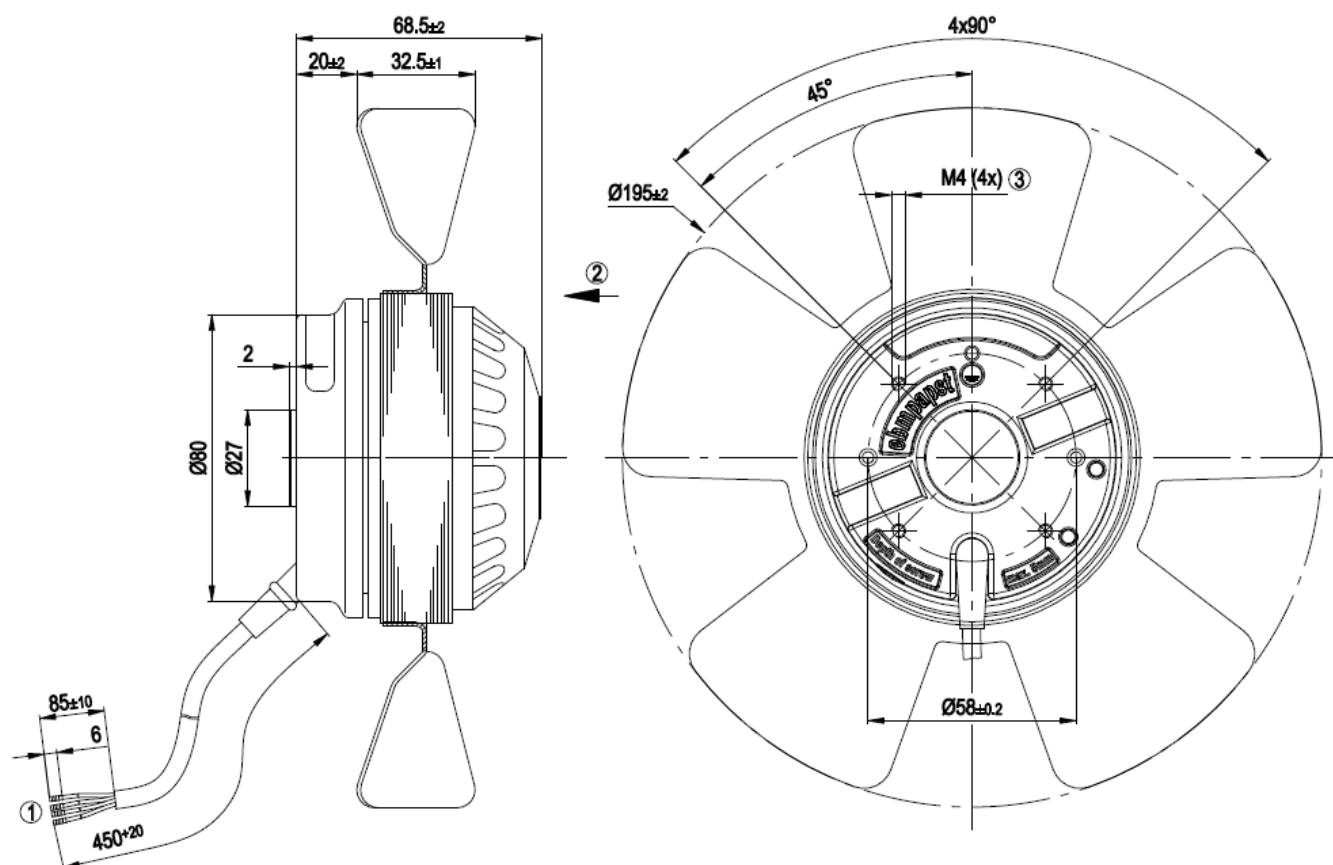


Pressure over air flow at 60Hz



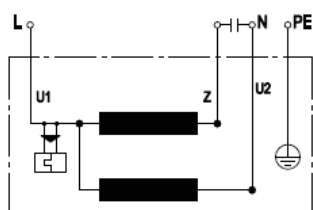


## Drawing



1	Cable PVC 0.5 mm <sup>2</sup> , 4x crimped splices
2	Direction of air flow "V"
3	Max. clearance for screw 5 mm

## Connection illustration



U1	blue	Z	brown	U2	black
PE	green/yellow				

# A2E200AF0202

AC axial fans



[Back to product overview:](#)



## Material/surface

- Rotor coated black
- Steelplate blades, coated black
- Number of blades: 5

## Technical description

- Direction of rotation: Left CW, seen on rotor
- Protection: IP44
- Isolation: B
- Condensate discharges: Rotor side
- Mounting position: Free, rotor on top on request
- Mode of operation: Continuous (S1)
- Bearings: Maintenance free ball bearings
- Motor protection: Integrated temperature switches
- Cable: Axial out of stator, 450 mm

## Conformity with standards

- Norm: EN 60335-1; CE

Go to	<a href="#">Pricelist</a>
Go to	<a href="#">Accessories</a>
Link to	<a href="#">ebm-papst operating instructions</a>
More at	<a href="#">www.ebmpapst.nl</a>

Nominal Data	Motor	Voltage	Frequency	Max. Air flow	Speed	Power consumption	Current draw	Capacitor capacity	Sound pressure level	Max. Back pressure	Perm. ambient temp.	Weight
Type	M2E068CA	VAC	Hz	m3/h	rpm	W	A	μF/V	dB(A)	Pa	C	kg
A2E200AF0202		230	50	740	2740	50	0,24	1,5/400	65	200	-25..+75	1,4
		230	60	830	3120	61	0,28	1,5/400	69	200	-25..+75	

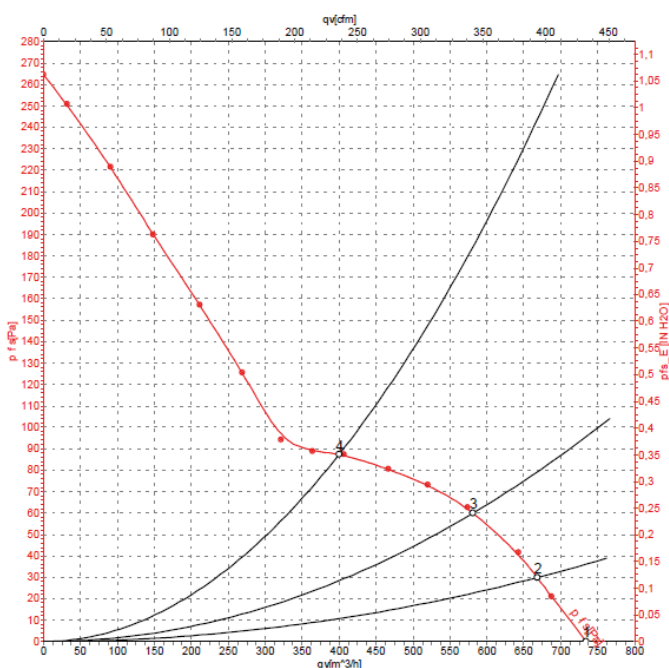
Subject to modification

[Pricelist](#)

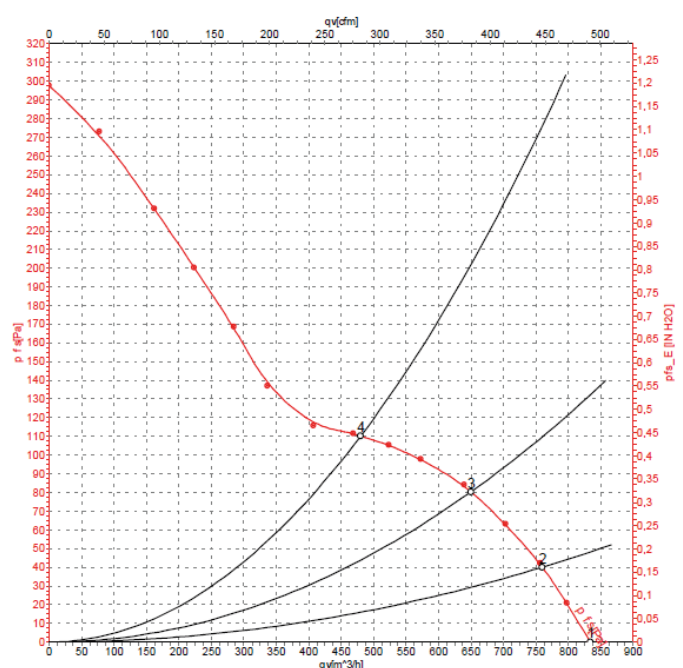
Capacitor

[280F00032](#)

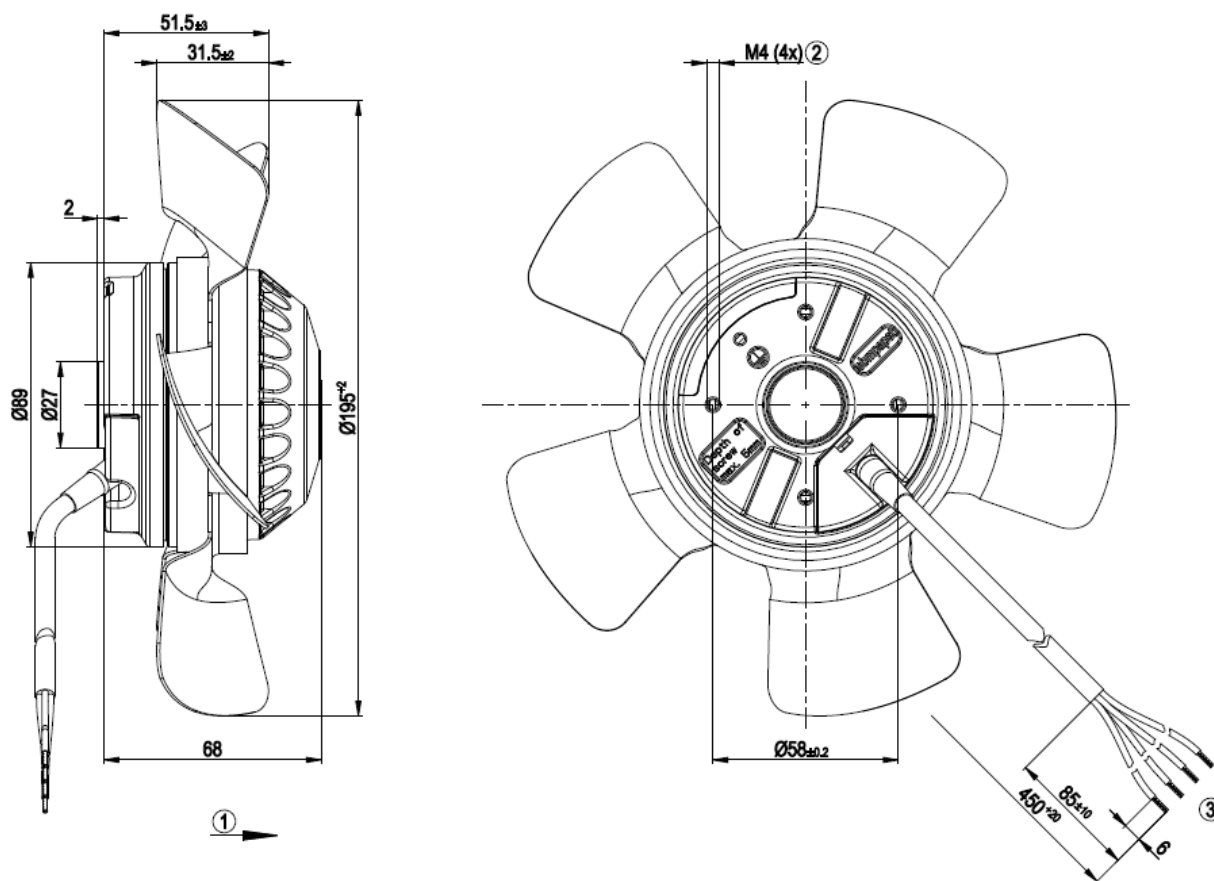
Pressure over air flow at 50Hz



Pressure over air flow at 60Hz

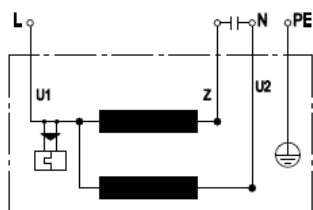


Drawing



1	Direction of air flow "A"
2	Max. clearance for screw 5 mm
3	Cable PVC 4G 0.5 mm <sup>2</sup> , 4x crimped splices

Connection illustration



U1	blue	Z	brown	U2	black
PE	green/yellow				

# W2E200CF0202

AC axial fans



[Back to product overview:](#)



### Material/surface

- Rotor coated black
- Steelplate blades, coated black
- Number of blades: 5

### Technical description

- Direction of rotation: Right CW, seen on rotor
- Protection: IP44
- Isolation: B
- Condensate discharges: Rotor side
- Mounting position: Free, rotor on top on request
- Mode of operation: Continuous (S1)
- Bearings: Maintenance free ball bearings
- Motor protection: Integrated temperature switches
- Cable: Axial out of stator, 450 mm

### Conformity with standards

- Norm: EN 60335-1; CE

Go to	<a href="#">Pricelist</a>
Go to	<a href="#">Accessories</a>
Link to	<a href="#">ebm-papst operating instructions</a>
More at	<a href="#">www.ebmpapst.nl</a>

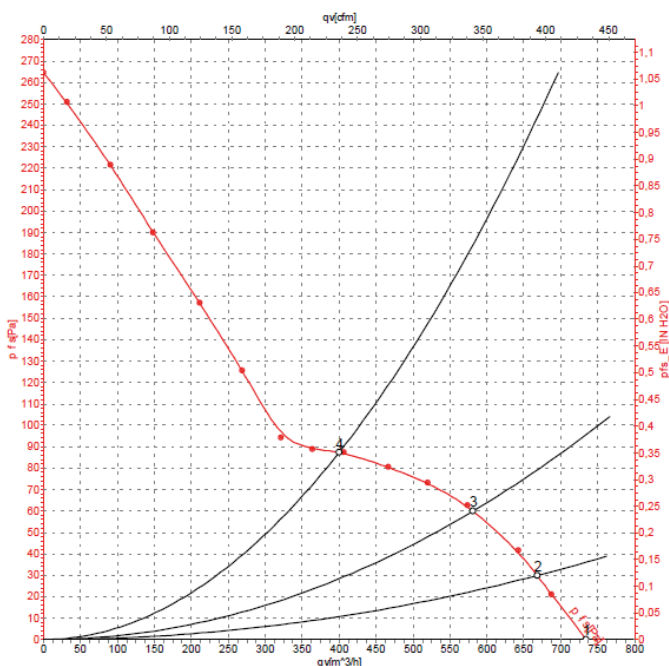
Nominal Data	Type	Motor	Voltage VAC	Frequency Hz	Max. Air flow m3/h	Speed rpm	Power consumption W	Current draw A	Capacitor capacity µF/V	Sound pressure level dB(A)	Max. Back pressure Pa	Perm. ambient temp. C	Weight kg
	W2E200CF0201	M2E068CA	230	50	740	2740	50	0,24	1,5/400	65	200	-25..+75	2,3
			230	60	830	3120	61	0,28	1,5/400	69	200	-25..+75	

Subject to modification

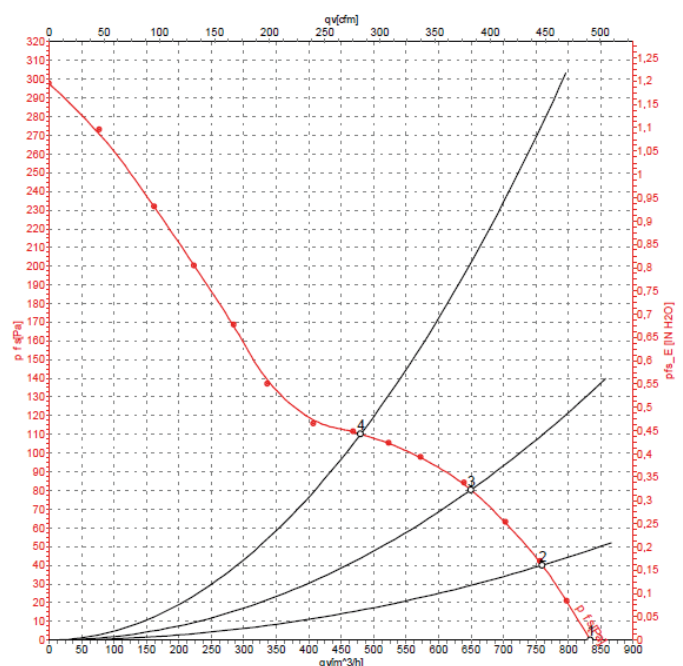
[Pricelist](#)

Capacitor  
[280F00032](#)

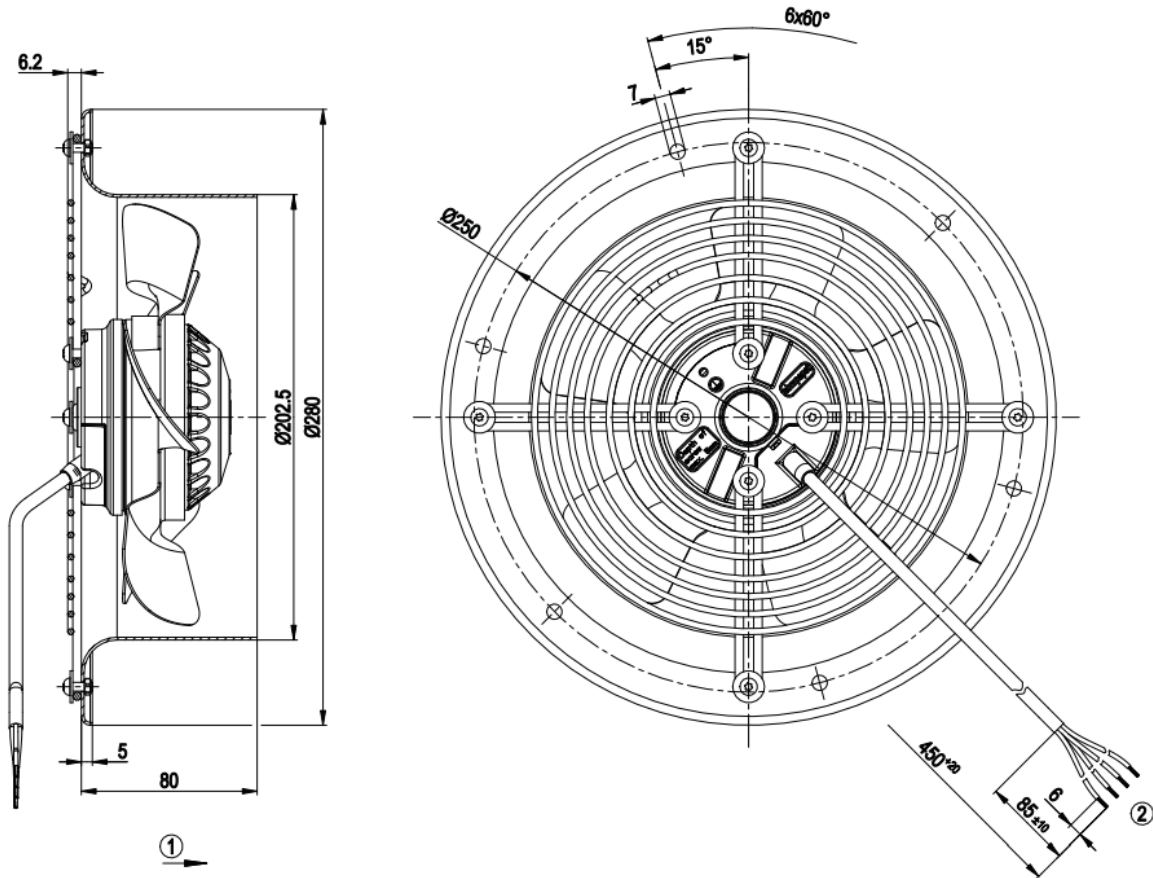
Pressure over air flow at 50Hz



Pressure over air flow at 60Hz

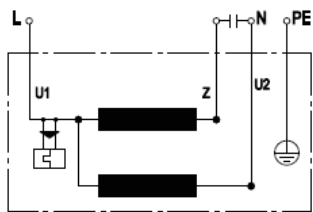


Drawing



1	Direction of air flow "A"
2	Cable PVC 4G 0.5 mm <sup>2</sup> , 4x crimped splices

Connection illustration



U1	blue	Z	brown	U2	black
PE	green/yellow				

# A2D250AA0201

AC axial fans



[Back to product overview:](#)



## Material/surface

- Rotor coated black
- Steelplate blades, coated black
- Number of blades: 5

## Technical description

- Direction of rotation: Left CCW, seen on rotor
- Protection: IP44
- Isolation: B
- Condensate discharges: Rotor side
- Mounting position: Free, rotor on top on request
- Mode of operation: Continuous (S1)
- Bearings: Maintenance free ball bearings
- Motor protection: Integrated temperature switches
- Cable: Axial out of stator, 450 mm

## Conformity with standards

- Norm: EN 60335-1; CE

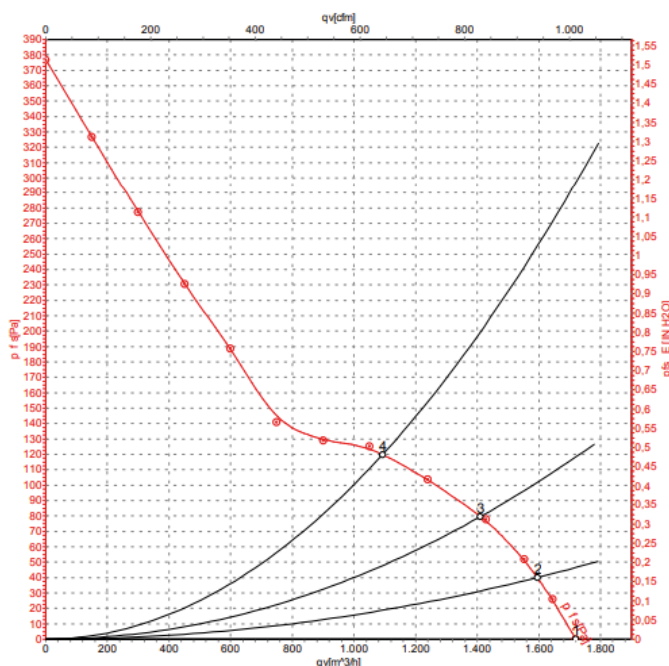
Go to	<a href="#">Pricelist</a>
Go to	<a href="#">Accessories</a>
Link to	<a href="#">ebm-papst operating instructions</a>
More at	<a href="#">www.ebmpapst.nl</a>

Nominal Data	Motor	Voltage	Frequency	Max. Air flow	Speed	Power consumption	Current draw	Capacitor capacity	Sound pressure level	Max. Back pressure	Perm. ambient temp.	Weight
Type	VAC	Hz	m3/h	rpm	W	A	μF/V	dB(A)	Pa	C	kg	
A2D250AA0201	M2D068-DF	400	50	1685	2650	110	0,22	-	72	250	-25..+70	2,05
		400	60	1845	2950	160	0,26	-	75	300	-25..+40	

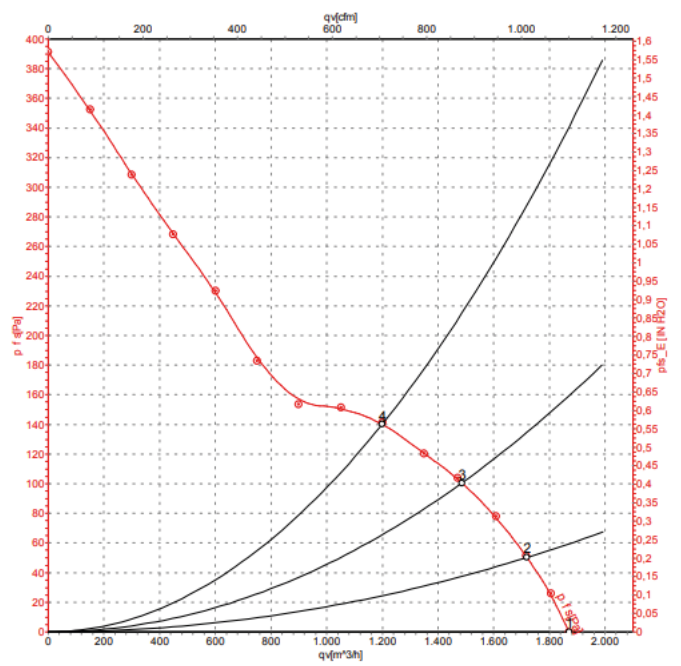
Subject to modification

[Pricelist](#)

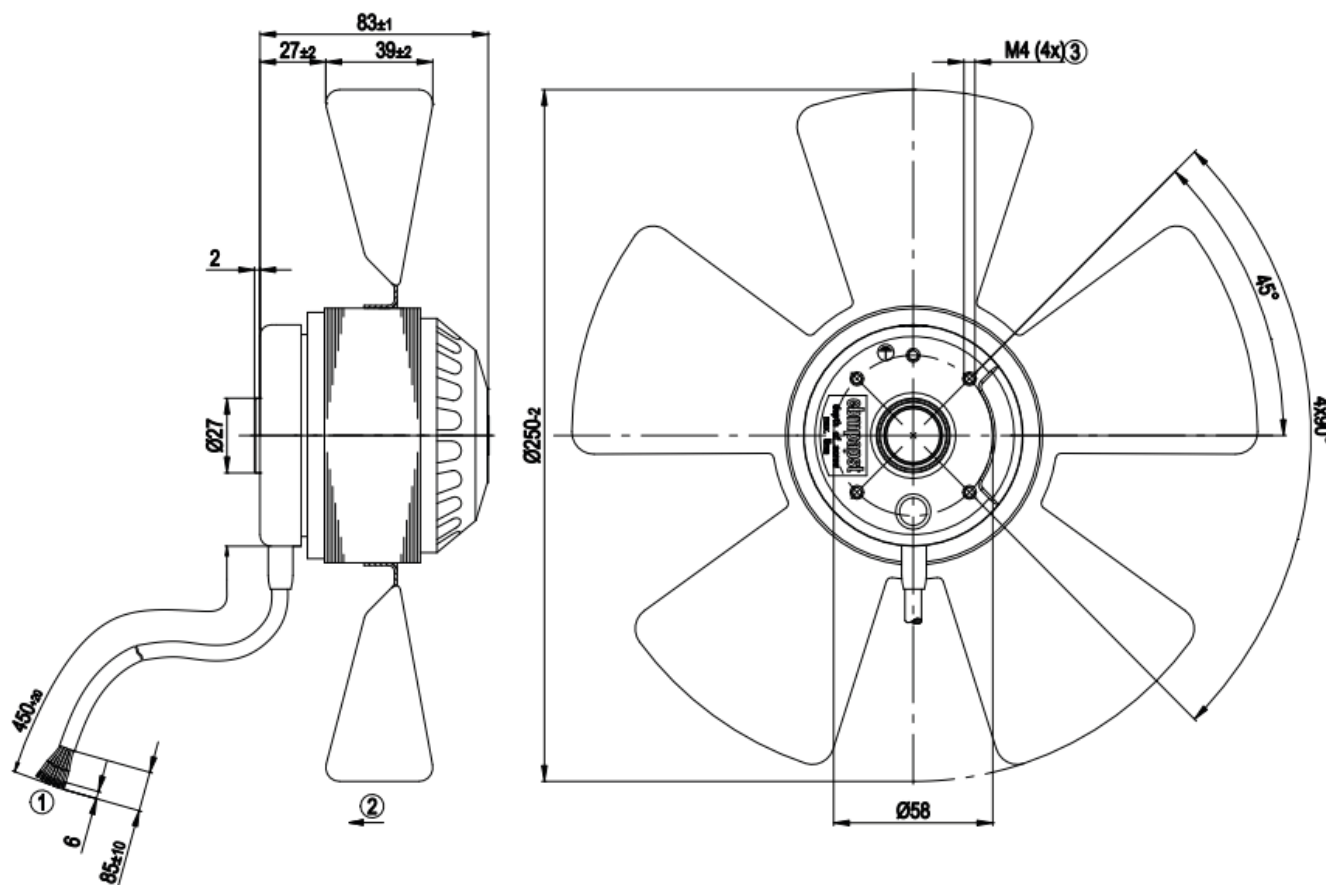
Pressure over air flow at 50Hz



Pressure over air flow at 60Hz

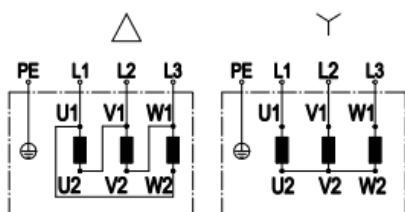


Drawing



- |   |   |
|---|---|
| 1 | Cable PVC 7x 0.5 mm <sup>2</sup> , 7x crimped splices |
| 2 | Direction of air flow "V"                             |
| 3 | Max. clearance for screw 5 mm                         |

Connection illustration



Change of rotation direction by reversing two phases

	Three-phase motor	Δ	Delta connection	Y	Star connection
L1	= U1 = black	L2	= V1 = blue	L3	= W1 = brown
U2	green	V2	white	W2	yellow
PE	green/yellow				

# A2D250AA0202

AC axial fans



[Back to product overview:](#)



## Material/surface

- Rotor coated black
- Steelplate blades, coated black
- Number of blades: 5

## Technical description

- Direction of rotation: Right CW, seen on rotor
- Protection: IP44
- Isolation: B
- Condensate discharges: Rotor side
- Mounting position: Free, rotor on top on request
- Mode of operation: Continuous (S1)
- Bearings: Maintenance free ball bearings
- Motor protection: Integrated temperature switches
- Cable: Axial out of stator, 450 mm

## Conformity with standards

- Norm: EN 60335-1; CE

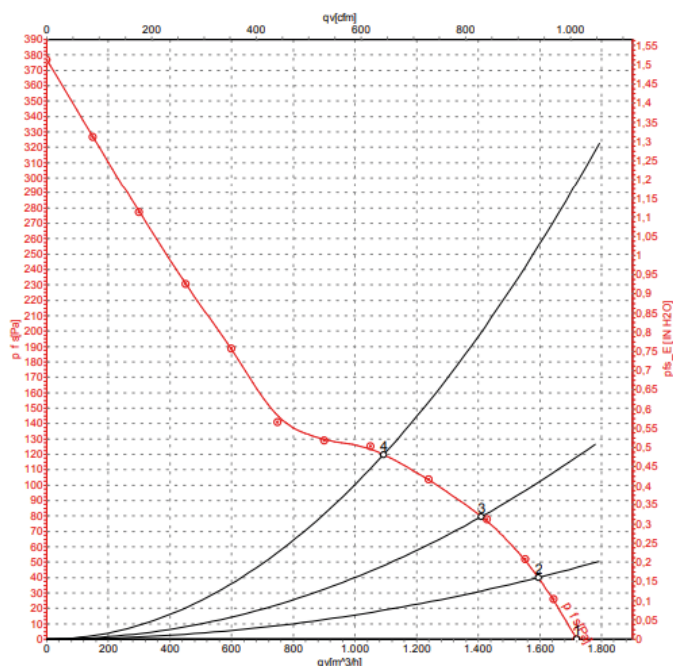
Go to	<a href="#">Pricelist</a>
Go to	<a href="#">Accessories</a>
Link to	<a href="#">ebm-papst operating instructions</a>
More at	<a href="#">www.ebmpapst.nl</a>

Nominal Data		Voltage	Frequency	Max. Air flow	Speed	Power consumption	Current draw	Capacitor capacity	Sound pressure level	Max. Back pressure	Perm. ambient temp.	Weight
Type	Motor	VAC	Hz	m3/h	rpm	W	A	μF/V	dB(A)	Pa	C	kg
A2D250AA0202	M2D068-DF	400	50	1685	2650	110	0,22	-	72	250	-25..+70	2,05
		400	60	1845	2950	160	0,26	-	75	300	-25..+40	

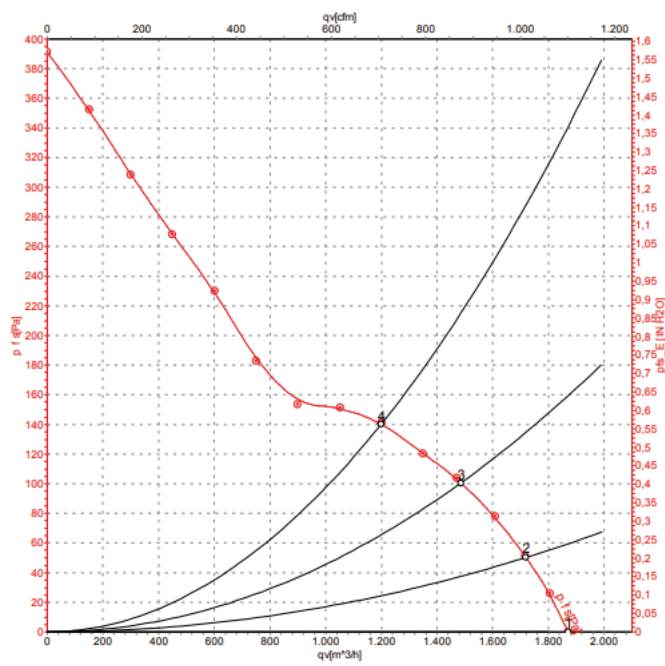
Subject to modification

[Pricelist](#)

Pressure over air flow at 50Hz

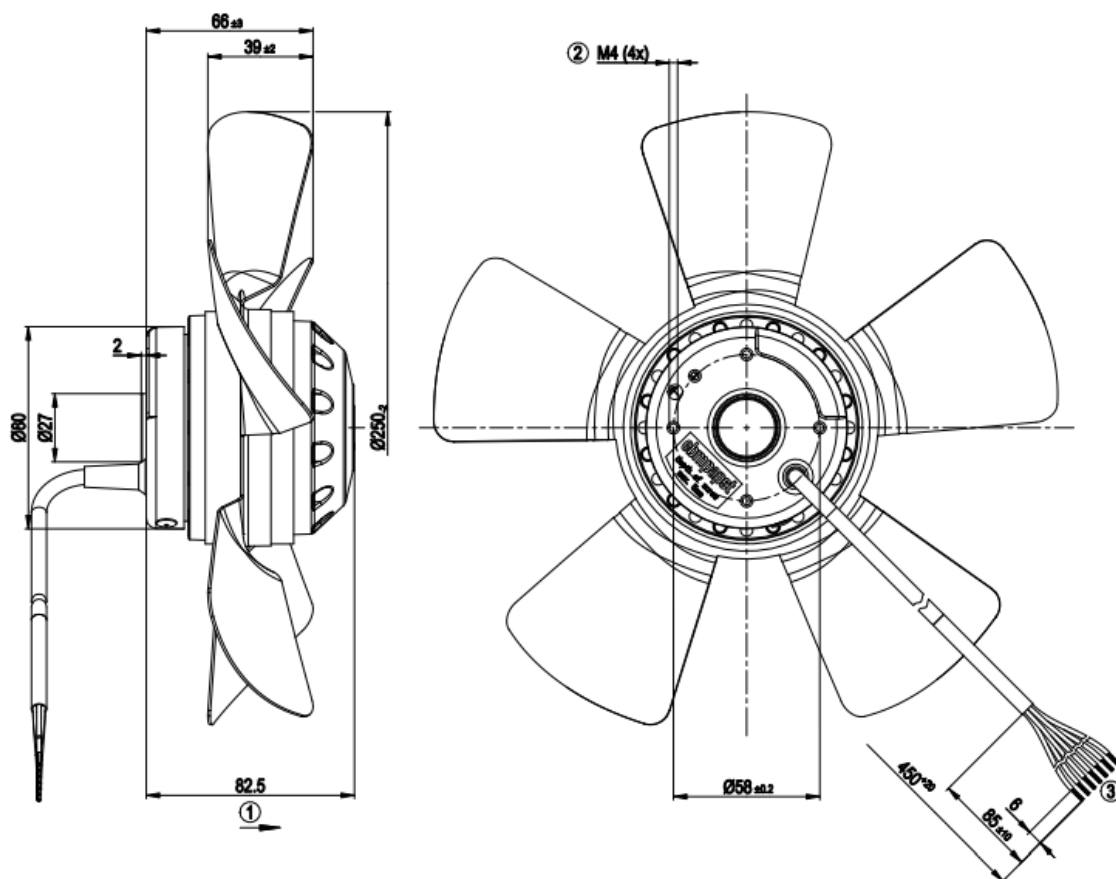


Pressure over air flow at 60Hz



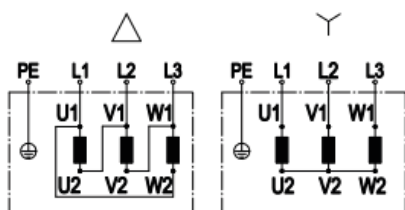


Drawing



1	Direction of air flow "A"
2	Max. clearance for screw 5 mm
3	Cable PVC 7x 0.5 mm <sup>2</sup> , 7x crimped splices

Connection illustration



Change of rotation direction by reversing two phases

	Three-phase motor	Δ	Delta connection	Y	Star connection
L1	= U1 = black	L2	= V1 = blue	L3	= W1 = brown
U2	green	V2	white	W2	yellow
PE	green/yellow				

# A2E250AE6501

AC axial fans



[Back to product overview:](#)



## Material/surface

- Rotor coated black
- Steelplate blades, coated black
- Number of blades: 5

## Technical description

- Direction of rotation: Left CCW, seen on rotor
- Protection: IP44
- Isolation: B
- Condensate discharges: Rotor side
- Mounting position: Free, rotor on top on request
- Mode of operation: Continuous (S1)
- Bearings: Maintenance free ball bearings
- Motor protection: Integrated temperature switches
- Cable: Axial out of stator, 450 mm

## Conformity with standards

- Norm: EN 60335-1; CE

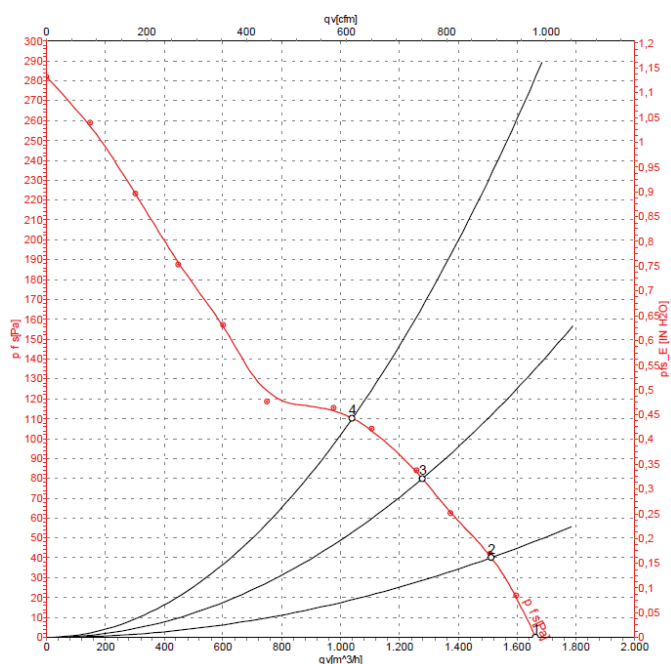
Go to	<a href="#">Pricelist</a>
Go to	<a href="#">Accessories</a>
Link to	<a href="#">ebm-papst operating instructions</a>
More at	<a href="#">www.ebmpapst.nl</a>

Nominal Data	Type	Motor	Voltage VAC	Frequency Hz	Max. Air flow m3/h	Speed rpm	Power consumption W	Current draw A	Capacitor capacity μF/V	Sound pressure level dB(A)	Max. Back pressure Pa	Perm. ambient temp. C	Weight kg
	A2E250AE6501	M2E068-DF	230	50	1610	2550	115	0,51	3,5/400	72	150	-25..+55	2,2
			230	60	1740	2750	165	0,74	3,5/400	73	130	-25..+50	

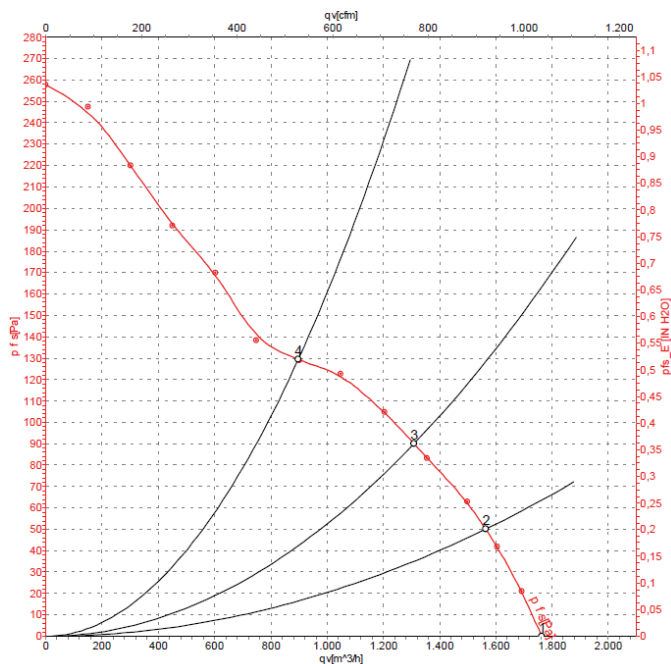
Subject to modification

[Pricelist](#)

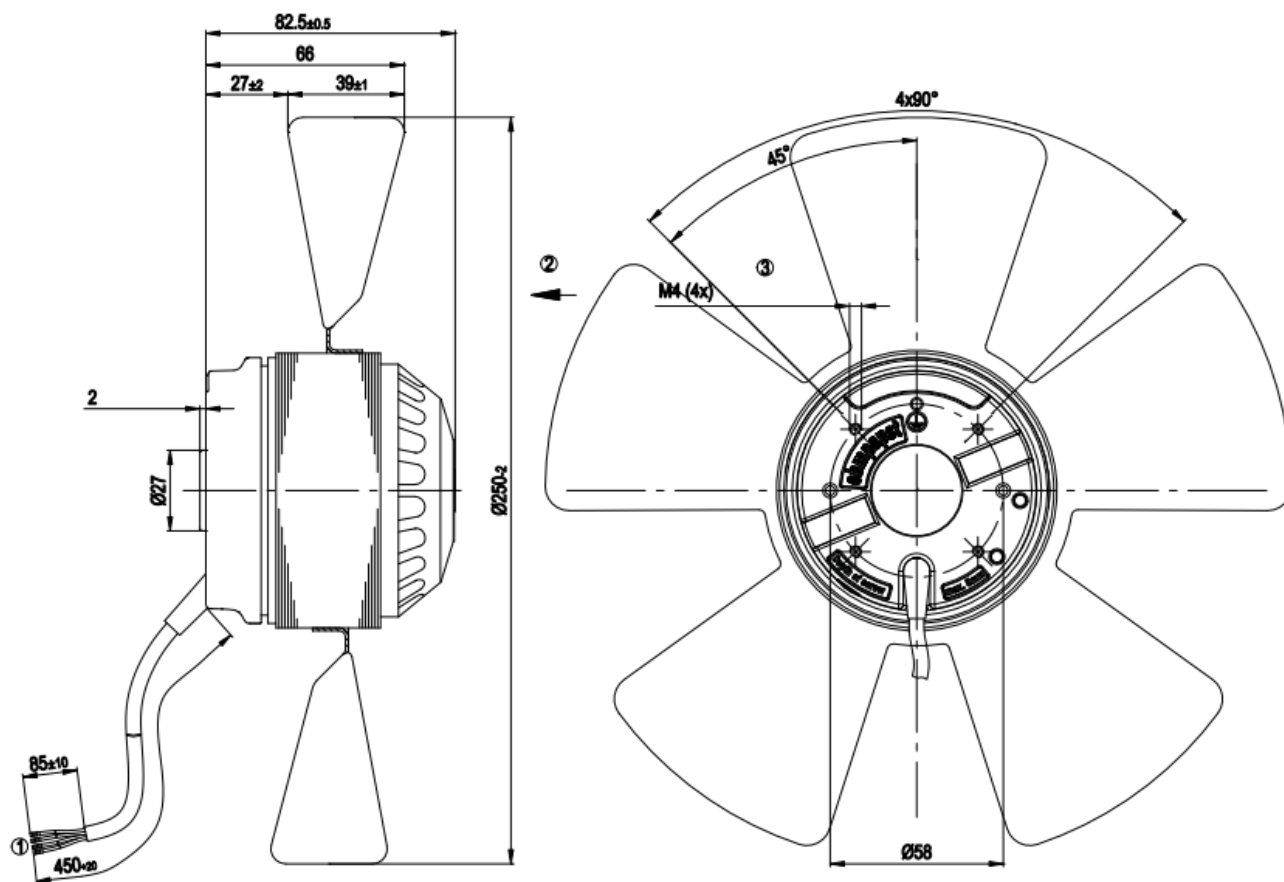
Pressure over air flow at 50Hz



Pressure over air flow at 60Hz

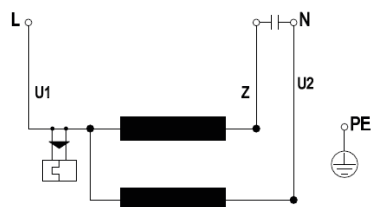


Drawing



1	Cable PVC 4G 0.5 mm <sup>2</sup> , 4x crimped splices
2	Direction of air flow "V"
3	Max. clearance for screw 5 mm

Connection illustration



U1	blue	Z	brown	U2	black
PE	green/yellow				

# A2E250AE6502

AC axial fans



[Back to product overview:](#)



## Material/surface

- Rotor coated black
- Steelplate blades, coated black
- Number of blades: 5

## Technical description

- Direction of rotation: Right CW, seen on rotor
- Protection: IP44
- Isolation: B
- Condensate discharges: Rotor side
- Mounting position: Free, rotor on top on request
- Mode of operation: Continuous (S1)
- Bearings: Maintenance free ball bearings
- Motor protection: Integrated temperature switches
- Cable: Axial out of stator, 450 mm

## Conformity with standards

- Norm: EN 60335-1; CE; UL available

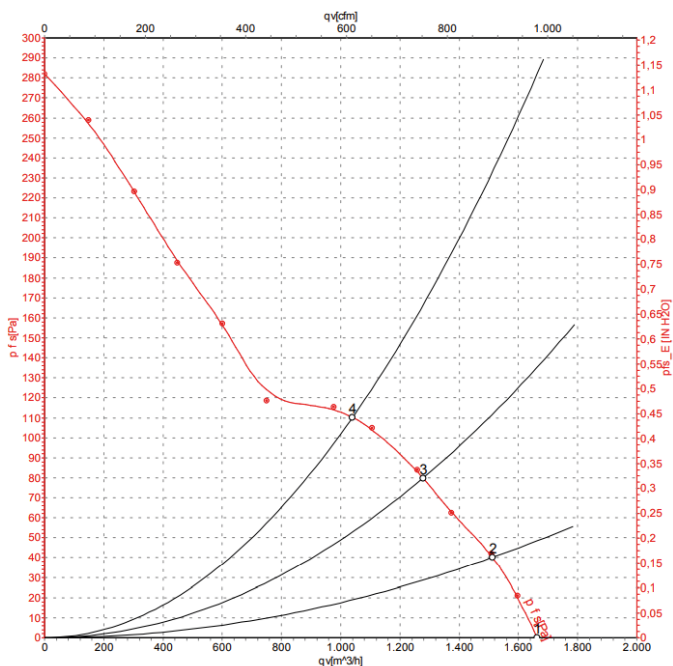
Go to	<a href="#">Pricelist</a>
Go to	<a href="#">Accessories</a>
Link to	<a href="#">ebm-papst operating instructions</a>
More at	<a href="#">www.ebmpapst.nl</a>

Nominal Data	Type	Motor	Voltage VAC	Frequency Hz	Max. Air flow m3/h	Speed rpm	Power consumption W	Current draw A	Capacitor capacity µF/V	Sound pressure level dB(A)	Max. Back pressure Pa	Perm. ambient temp. C	Weight kg
	A2E250AE6502	M2E068-DF	230	50	1610	2550	115	0,51	3,5/100	72	150	-25..+55	2,2
			230	60	1740	2750	165	0,74	3,5/100	73	130	-25..+50	

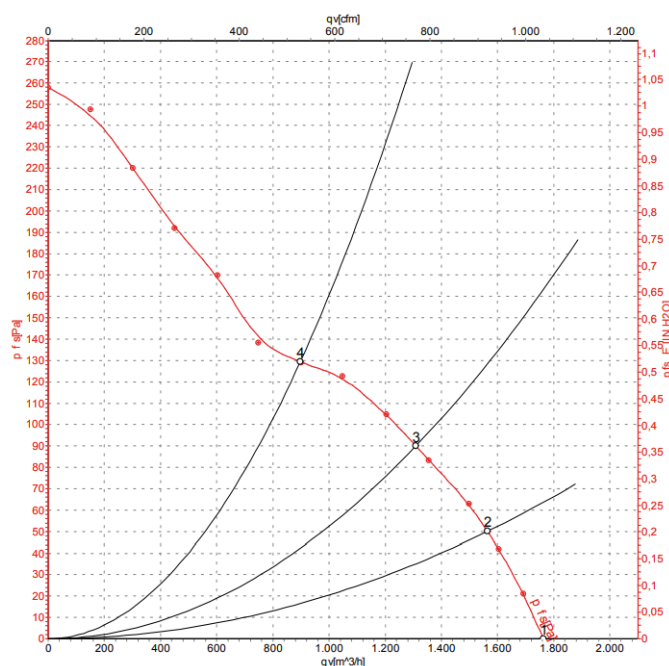
Subject to modification

[Pricelist](#)

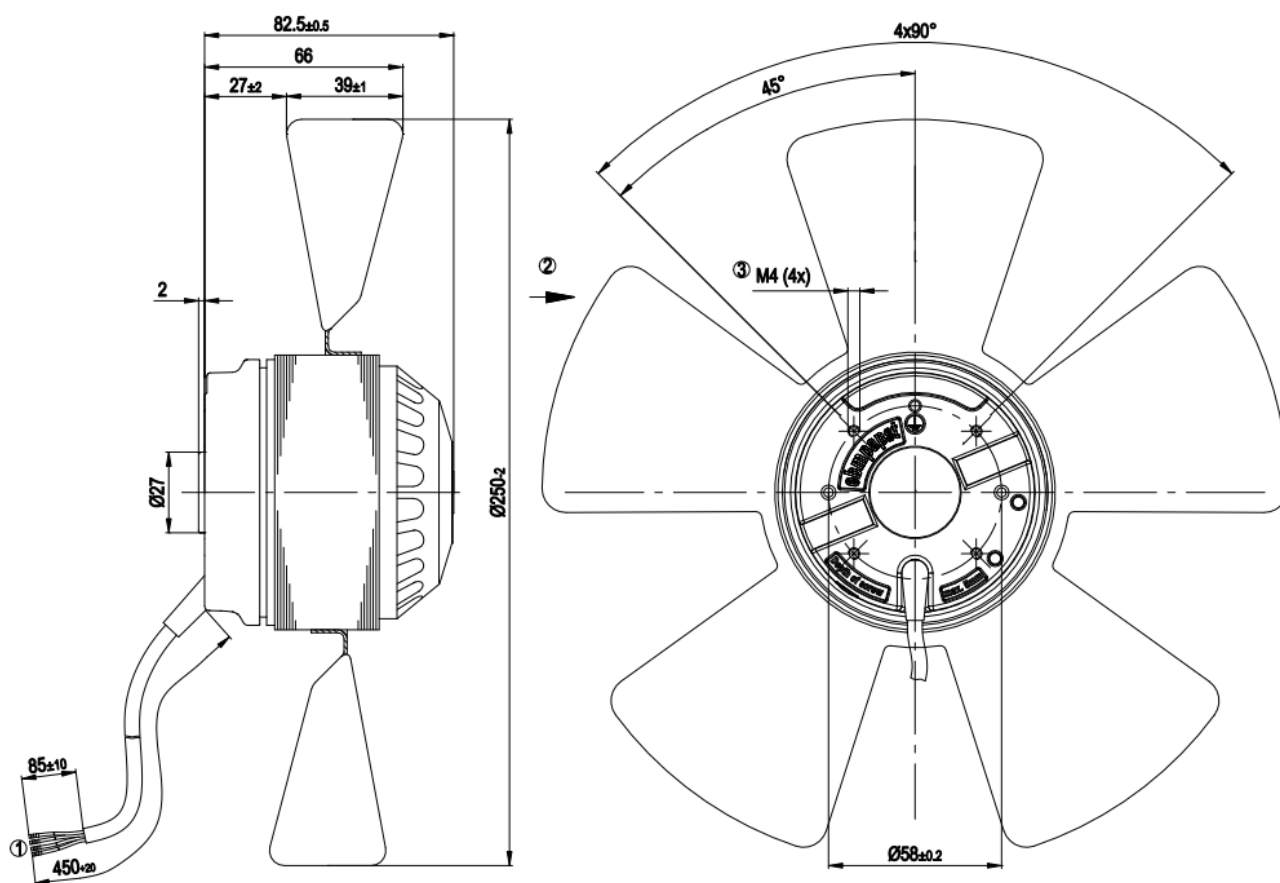
Pressure over air flow at 50Hz



Pressure over air flow at 60Hz

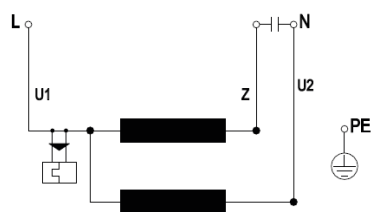


## Drawing



- |   |   |
|---|---|
| 1 | Cable PVC 4G 0.5 mm <sup>2</sup> , 4x crimped splices |
| 2 | Direction of air flow "A"                             |
| 3 | Max. clearance for screw 5 mm                         |

## Connection illustration



U1	blue	Z	brown	U2	black
PE	green/yellow				

# W2E250CE6502

AC axial fans



[Back to product overview:](#)



### Material/surface

- Rotor coated black
- Steelplate blades, coated black
- Number of blades: 5

### Technical description

- Direction of rotation: Right CW, seen on rotor
- Protection: IP44
- Isolation: B
- Condensate discharges: Rotor side
- Mounting position: Free, rotor on top on request
- Mode of operation: Continuous (S1)
- Bearings: Maintenance free ball bearings
- Motor protection: Integrated temperature switches
- Cable: Axial out of stator, 450 mm

### Conformity with standards

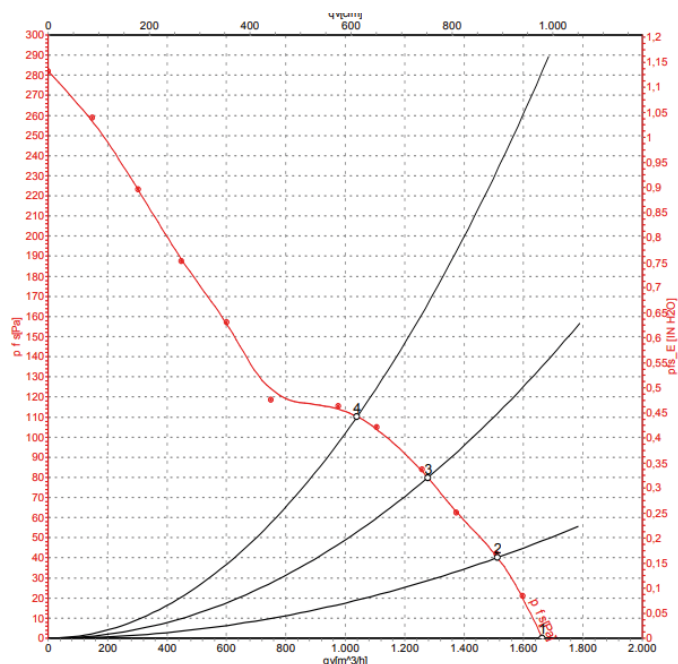
- Norm: EN 60335-1; CE

Go to	<a href="#">Pricelist</a>
Go to	<a href="#">Accessories</a>
Link to	<a href="#">ebm-papst operating instructions</a>
More at	<a href="#">www.ebmpapst.nl</a>

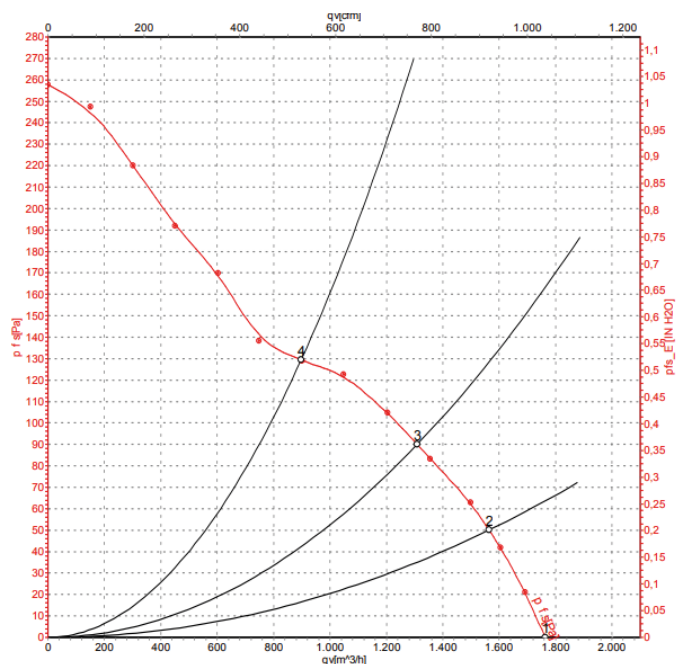
Nominal Data	Type	Motor	Voltage VAC	Frequency Hz	Max. Air flow m3/h	Speed rpm	Power consumption W	Current draw A	Capacitor capacity µF/V	Sound pressure level dB(A)	Max. Back pressure Pa	Perm. ambient temp. C	Weight kg
	W2E250CE6502	M2E068-DF	230	50	1610	2550	115	0,51	3,5/400	72	150	-25..+55	2,2
			230	60	1740	2750	165	0,74	3,5/400	73	130	-25..+50	

Subject to modification [Pricelist](#) Capacitor [66785-4-7320](#)

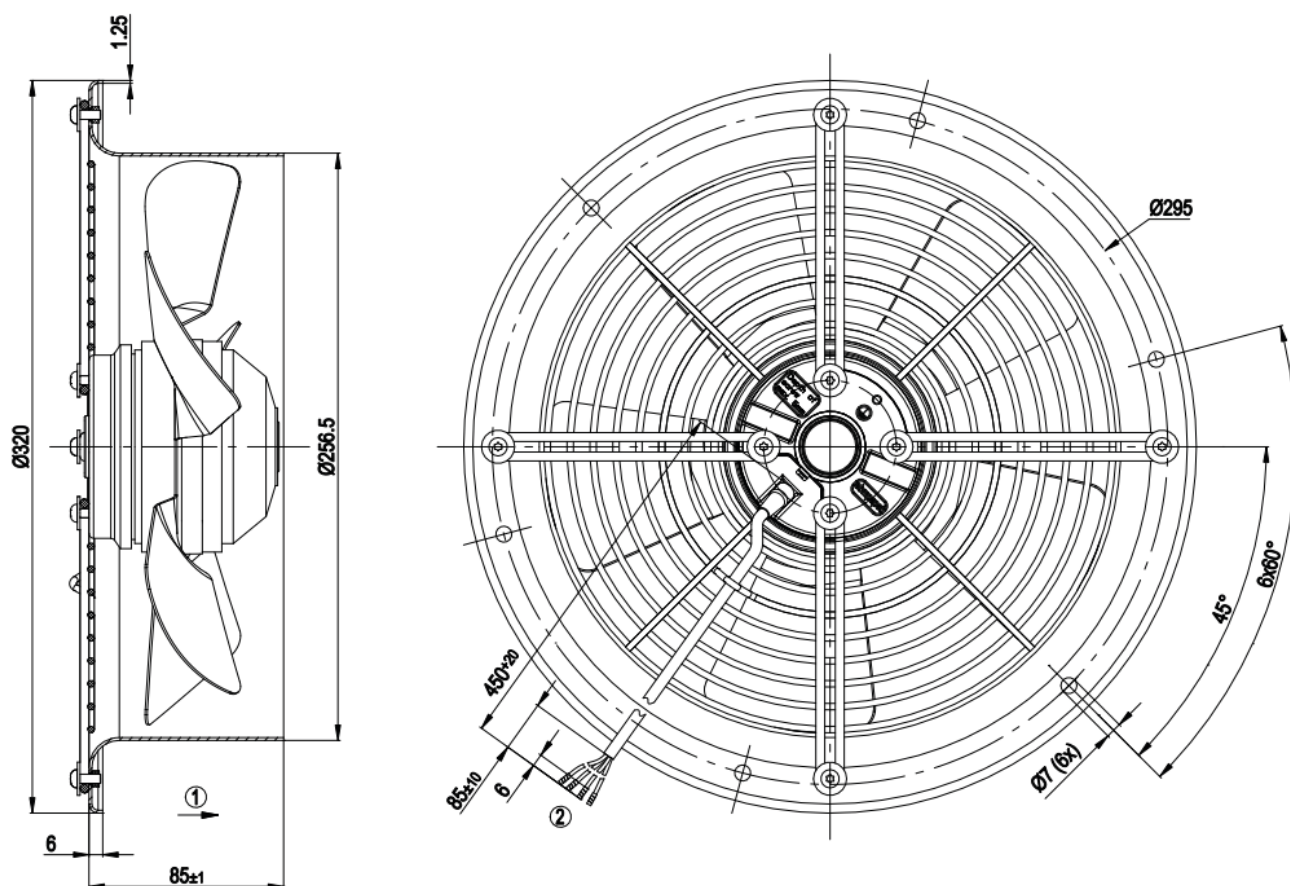
Pressure over air flow at 50Hz



Pressure over air flow at 60Hz

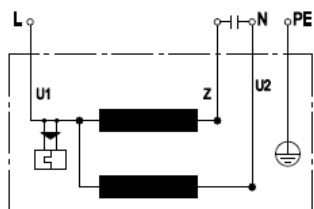


Drawing



- |   |   |
|---|---|
| 1 | Direction of air flow "A"                             |
| 2 | Cable PVC 4G 0.5 mm <sup>2</sup> , 4x crimped splices |

Connection illustration



- |    |              |   |       |    |       |
|----|--------------|---|-------|----|-------|
| U1 | blue         | Z | brown | U2 | black |
| PE | green/yellow |   |       |    |       |

# W4S250CA0201

AC axial fans



[Back to product overview:](#)



## Material/surface

- Rotor coated black
- Steelplate blades, coated black
- Number of blades: 5

## Technical description

- Direction of rotation: Left CCW, seen on rotor
- Protection: IP44
- Isolation: B
- Condensate discharges: Rotor side
- Mounting position: Free, rotor on top on request
- Mode of operation: Continuous (S1)
- Bearings: Maintenance free ball bearings
- Motor protection: Thermal Overload Protector (TOP) - wired internally
- Cable: Axial out of stator, 450 mm

## Conformity with standards

- Norm: EN 60335-1; CE; UL available

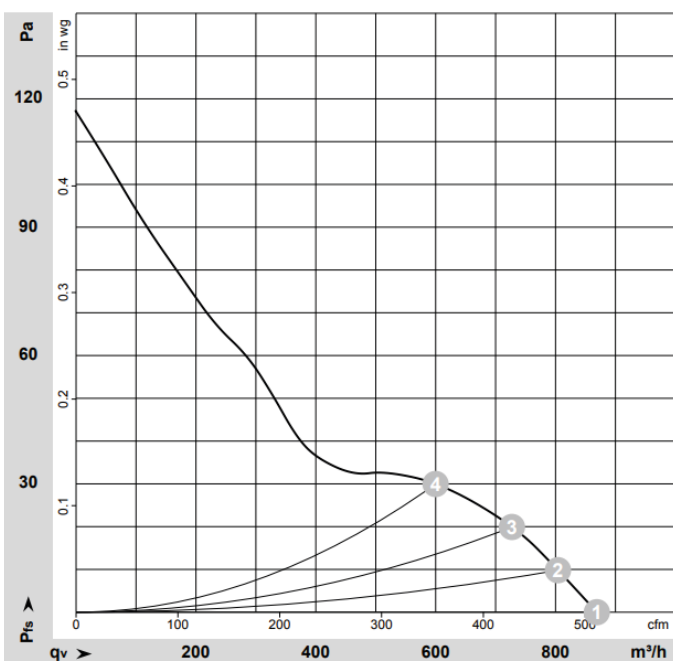
Go to	<a href="#">Pricelist</a>
Go to	<a href="#">Accessories</a>
Link to	<a href="#">ebm-papst operating instructions</a>
More at	<a href="http://www.ebmpapst.nl">www.ebmpapst.nl</a>

Nominal Data	Motor	Voltage	Frequency	Max. Air flow	Speed	Power consumption	Current draw	Capacitor capacity	Sound pressure level	Max. Back pressure	Perm. ambient temp.	Weight
Type	M4S068-CF	VAC	Hz	m3/h	rpm	W	A	µF/V	dB(A)	Pa	C	kg
W4S250CA0201		230	50	870	1400	72	0,53	-	58	80	-25..+40	1,7
		230	60	1000	1620	67	0,46	-	62	100	-25..+50	

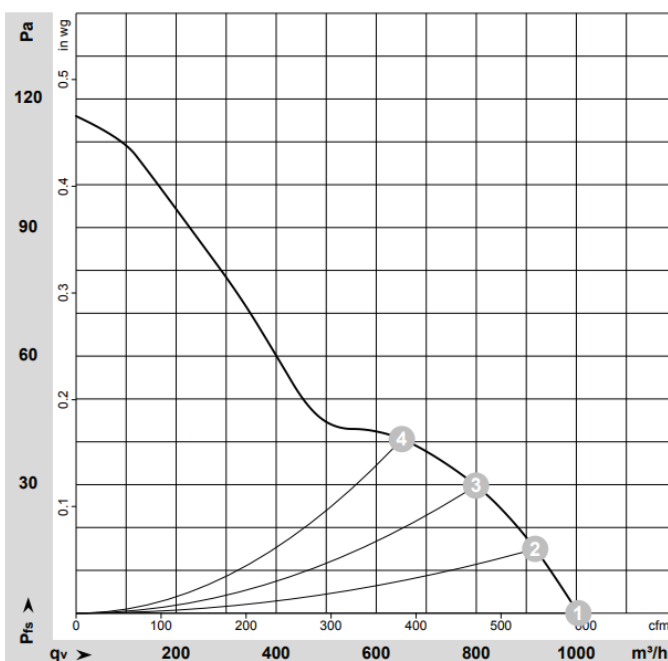
Subject to modification

[Pricelist](#)

Pressure over air flow at 50Hz

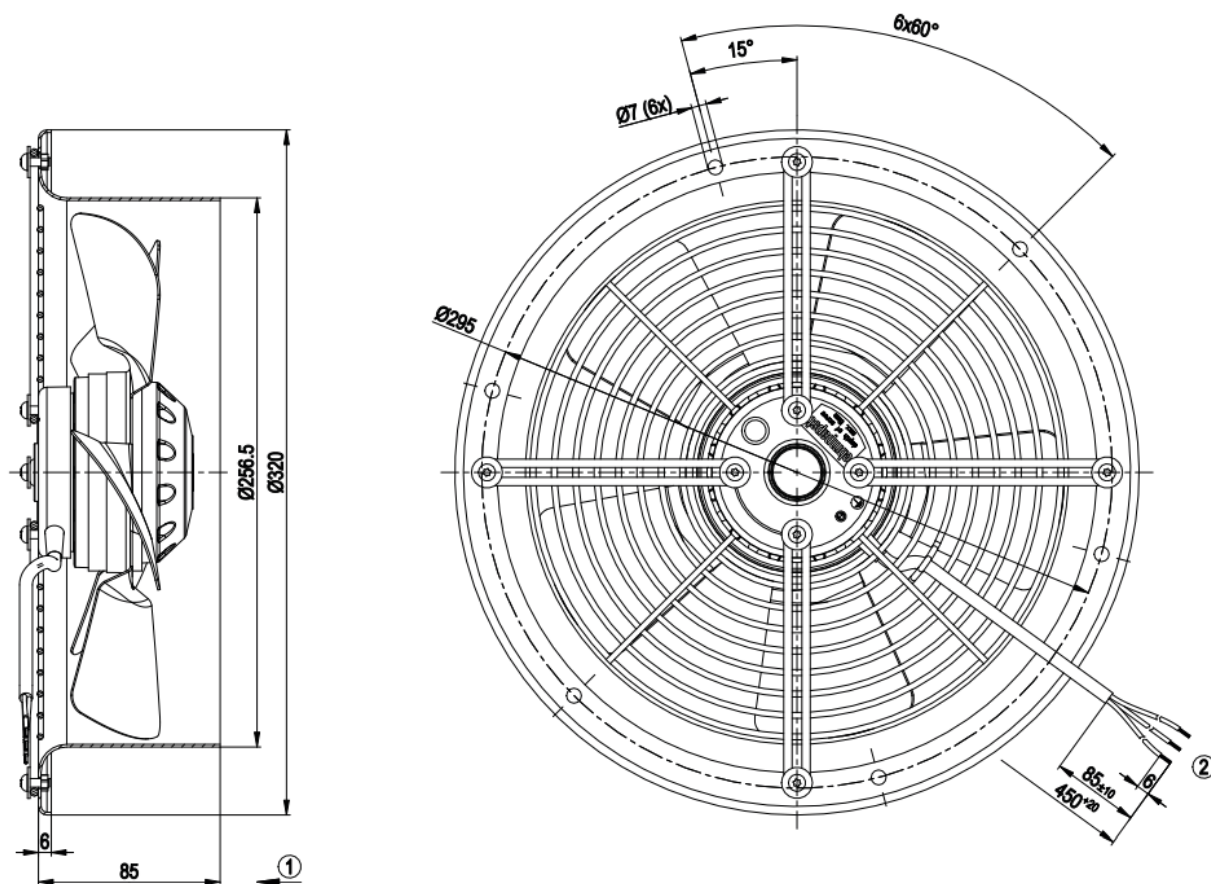


Pressure over air flow at 60Hz



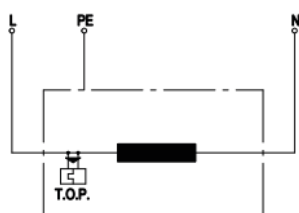


## Drawing



- |   |   |
|---|---|
| 1 | Airflow direction "V"                                 |
| 2 | Cable PVC 3G 0.5 mm <sup>2</sup> , 3x crimped splices |

## Connection illustration



- |     |                              |
|-----|------------------------------|
| L   | = blue                       |
| PE  | = green/yellow               |
| N   | = brown                      |
| TOP | = thermal overload protector |

# A2D300AD0201

AC axial fans



[Back to product overview:](#)



## Material/surface

- Rotor coated black
- Steelplate blades, coated black
- Number of blades: 5

## Technical description

- Direction of rotation: Left CCW, seen on rotor
- Protection: IP44
- Isolation: B
- Condensate discharges: Rotor side
- Mounting position: Free, rotor on top on request
- Mode of operation: Continuous (S1)
- Bearings: Maintenance free ball bearings
- Motor protection: Thermal Overload Protector (TOP) - wired internally
- Cable: Axial out of stator, 450 mm

## Conformity with standards

- Norm: EN 60335-1; CE

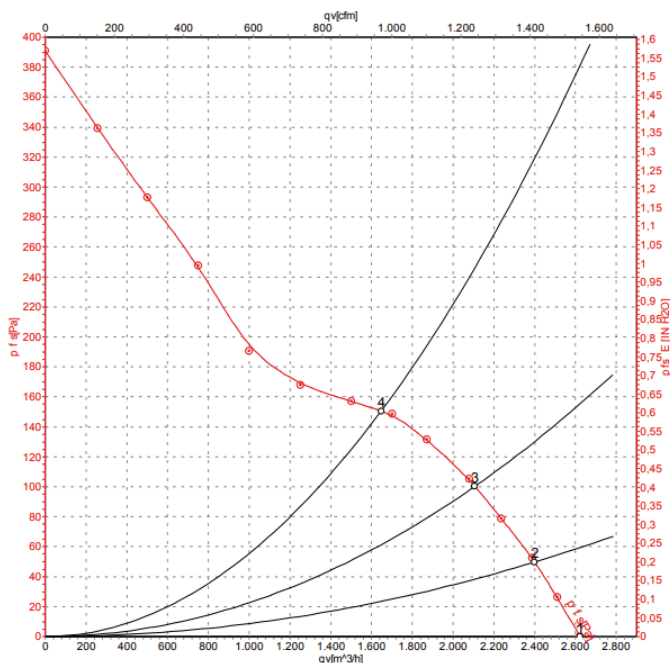
Go to	<a href="#">Pricelist</a>
Go to	<a href="#">Accessories</a>
Link to	<a href="#">ebm-papst operating instructions</a>
More at	<a href="#">www.ebmpapst.nl</a>

Nominal Data		Voltage	Frequency	Max. Air flow	Speed	Power consumption	Current draw	Capacitor capacity	Sound pressure level	Max. Back pressure	Perm. ambient temp.	Weight
Type	Motor	VAC	Hz	m3/h	rpm	W	A	μF/V	dB(A)	Pa	C	kg
A2D300AD0201	M2D068-EC	230	50/60	2760	2650	180	0,54	-	76	150	-25..+60	2,7
		400	50/60	2760	2650	180	0,31	-	76	150	-25..+60	

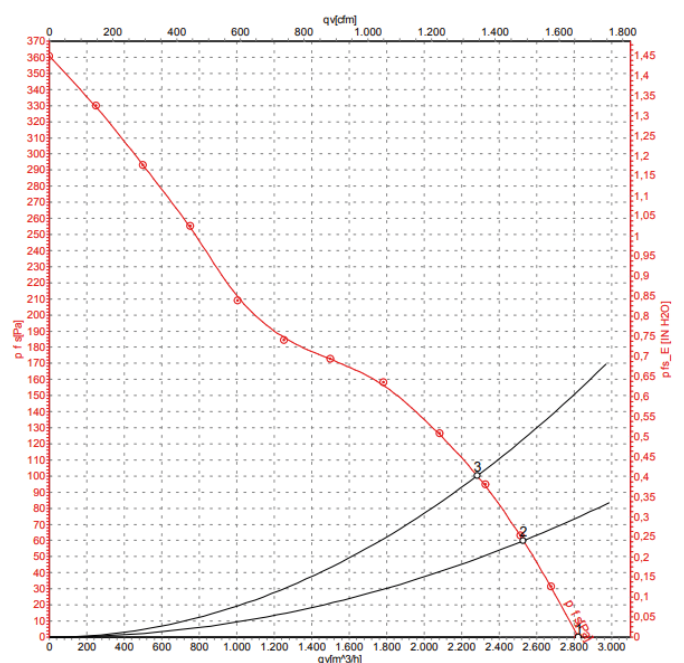
Subject to modification

[Pricelist](#)

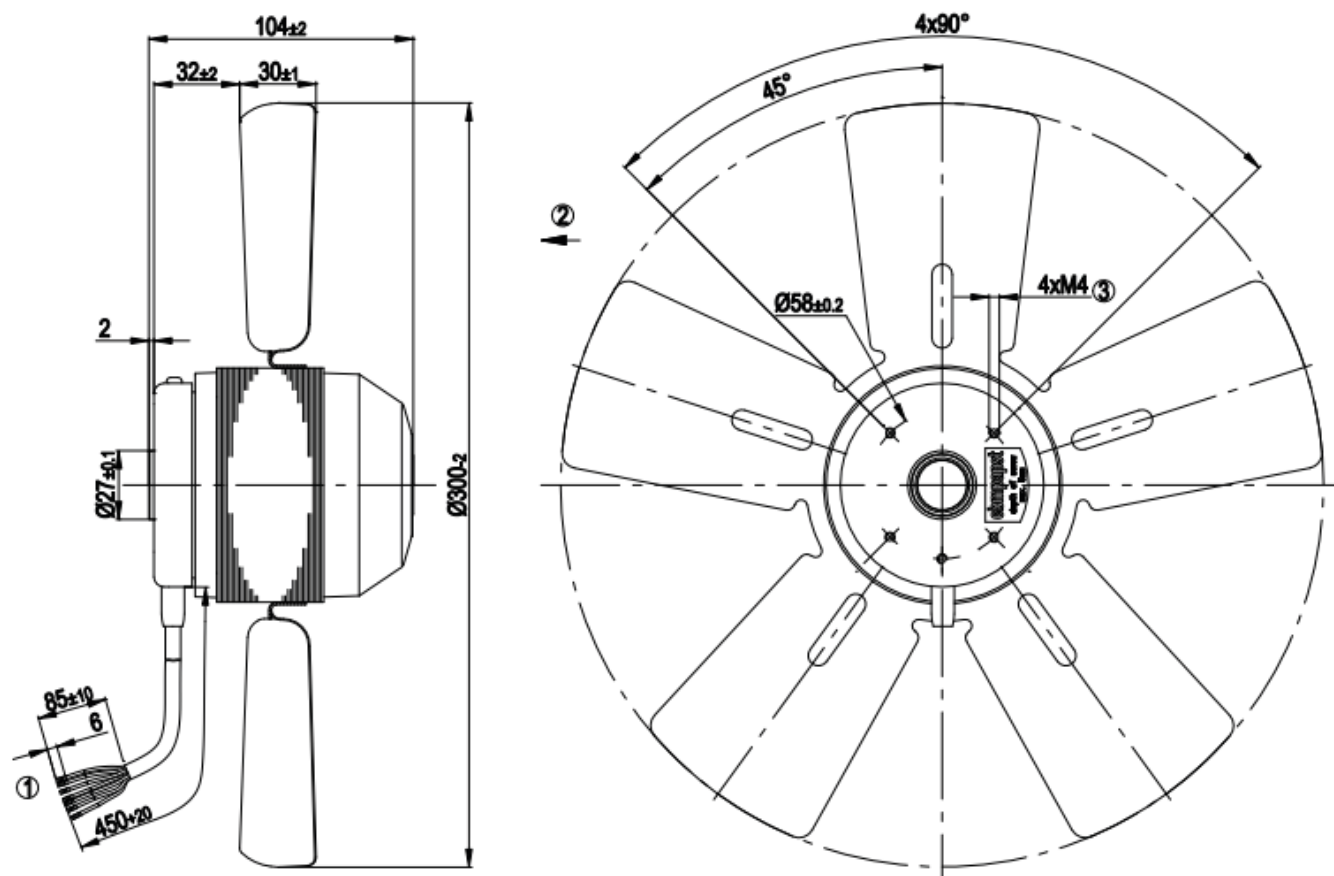
Pressure over air flow at 50Hz - 400V



Pressure over air flow at 60Hz - 400V



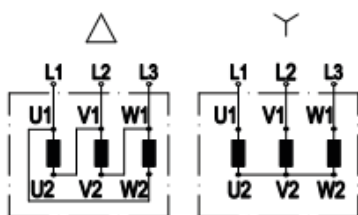
Drawing



- 1 Cable PVC 7G 0.5 mm<sup>2</sup>, 7x crimped splices
- 2 Direction of air flow "V"
- 3 Max. clearance for screw 5 mm

Spare parts

Connection illustration



Change of rotation direction by reversing two phases

	Three-phase motor	Δ	Delta connection	Y	Star connection
L1	= U1 = black	L2	= V1 = blue	L3	= W1 = brown
U2	green	V2	white	W2	yellow

# A2D300AD0202

AC axial fans



[Back to product overview:](#)



## Material/surface

- Rotor coated black
- Steelplate blades, coated black
- Number of blades: 5

## Technical description

- Direction of rotation: Right CW, seen on rotor
- Protection: IP44
- Isolation: B
- Condensate discharges: Rotor side
- Mounting position: Free, rotor on top on request
- Mode of operation: Continuous (S1)
- Bearings: Maintenance free ball bearings
- Motor protection: Thermal Overload Protector (TOP) - wired internally
- Cable: Axial out of stator, 450 mm

## Conformity with standards

- Norm: EN 60335-1; CE; UL available

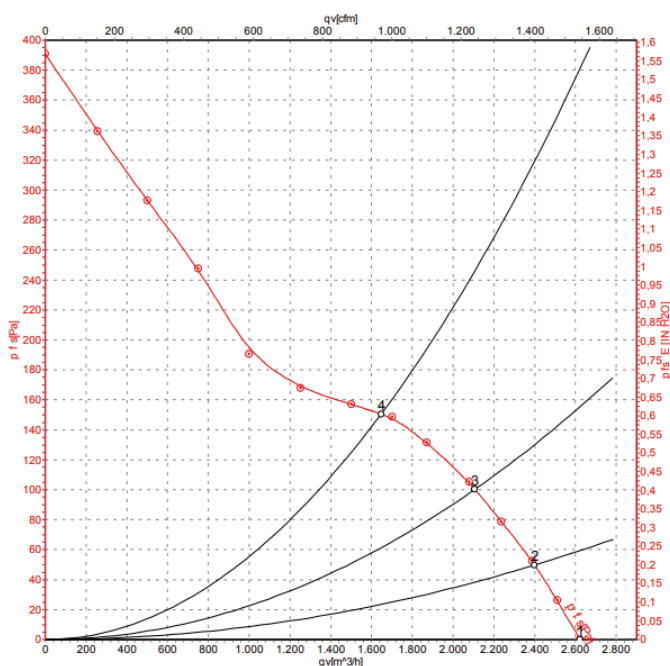
Go to	<a href="#">Pricelist</a>
Go to	<a href="#">Accessories</a>
Link to	<a href="#">ebm-papst operating instructions</a>
More at	<a href="#">www.ebmpapst.nl</a>

Nominal Data		Voltage	Frequency	Max. Air flow	Speed	Power consumption	Current draw	Capacitor capacity	Sound pressure level	Max. Back pressure	Perm. ambient temp.	Weight
Type	Motor	VAC	Hz	m3/h	rpm	W	A	μF/V	dB(A)	Pa	C	kg
A2D300AD0202	M2D068-EC	230	50/60	2760	2650	180	0,54	-	76	150	-25..+60	2,7
		400	50/60	2760	2650	180	0,31	-	76	150	-25..+60	

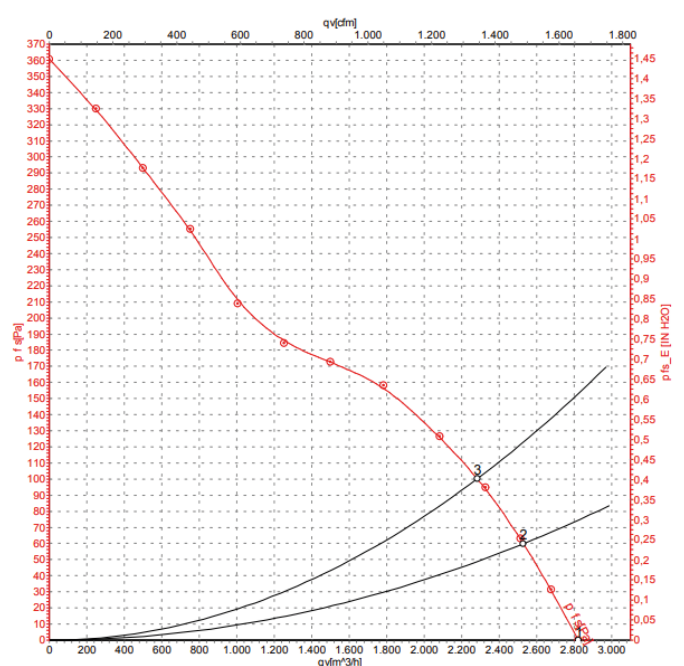
Subject to modification

[Pricelist](#)

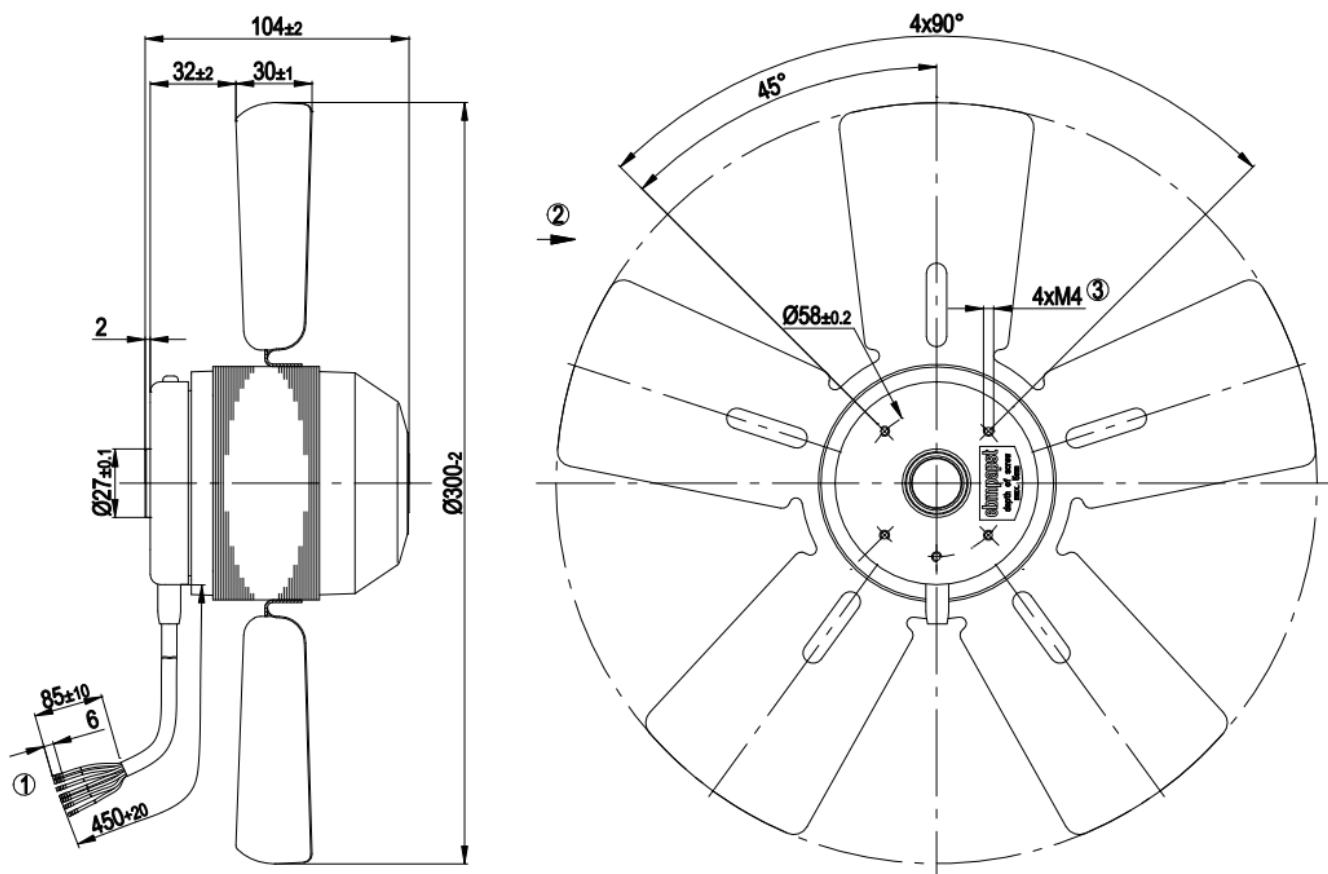
Pressure over air flow at 50Hz - 400V



Pressure over air flow at 60Hz - 400V



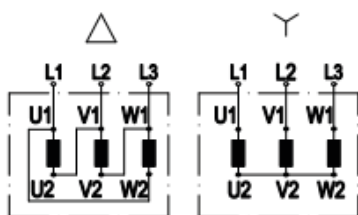
Drawing



- 1 Cable PVC 7G 0.5 mm<sup>2</sup>, 7x crimped splices
- 2 Direction of air flow "A"
- 3 Max. clearance for screw 5 mm

Spare parts

Connection illustration



Change of rotation direction by reversing two phases

	Three-phase motor	Δ	Delta connection	Y	Star connection
L1	= U1 = black	L2	= V1 = blue	L3	= W1 = brown
U2	green	V2	white	W2	yellow

# A2E300AC4701

AC axial fans



[Back to product overview:](#)



## Material/surface

- Rotor coated black
- Steelplate blades, coated black
- Number of blades: 5

## Technical description

- Direction of rotation: Left CCW, seen on rotor
- Protection: IP44
- Isolation: B
- Condensate discharges: Rotor side
- Mounting position: Free, rotor on top on request
- Mode of operation: Continuous (S1)
- Bearings: Maintenance free ball bearings
- Motor protection: Thermal Overload Protector (TOP) - wired internally
- Cable: Axial out of stator, 450 mm

## Conformity with standards

- Norm: EN 60335-1; CE; UL available

Go to	<a href="#">Pricelist</a>
Go to	<a href="#">Accessories</a>
Link to	<a href="#">ebm-papst operating instructions</a>
More at	<a href="#">www.ebmpapst.nl</a>

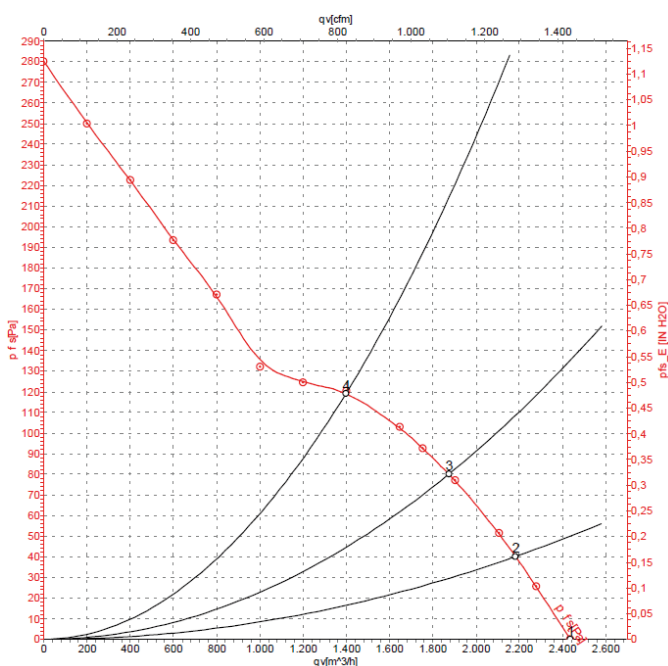
Nominal Data	Motor	Voltage	Frequency	Max. Air flow	Speed	Power consumption	Current draw	Capacitor capacity	Sound pressure level	Max. Back pressure	Perm. ambient temp.	Weight
Type	M2E068-EC	VAC	Hz	m3/h	rpm	W	A	μF/V	dB(A)	Pa	C	kg
A2E300AC4701		230	50	2440	2650	140	0,62	5/400	75	150	-25..+55	2,5
		230	60	2700	2900	190	0,83	5/400	78	150	-25..+50	

Subject to modification

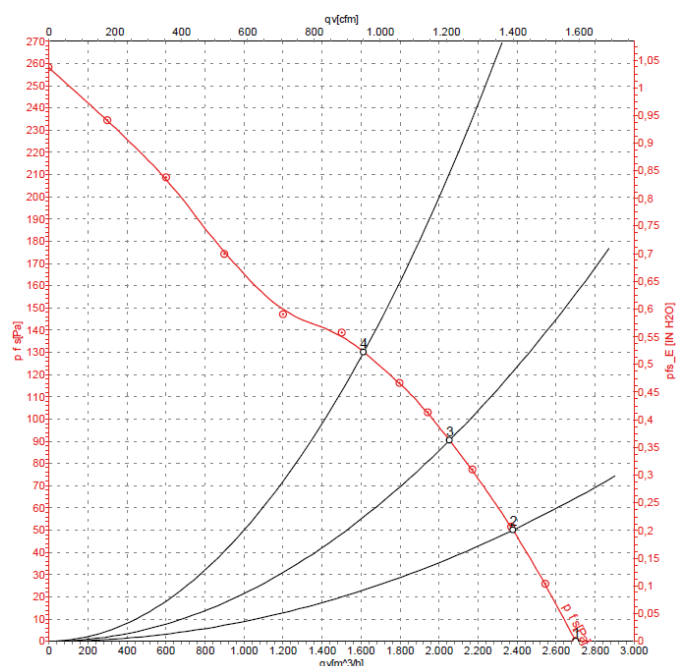
[Pricelist](#)

Capacitor [280F00037](#)

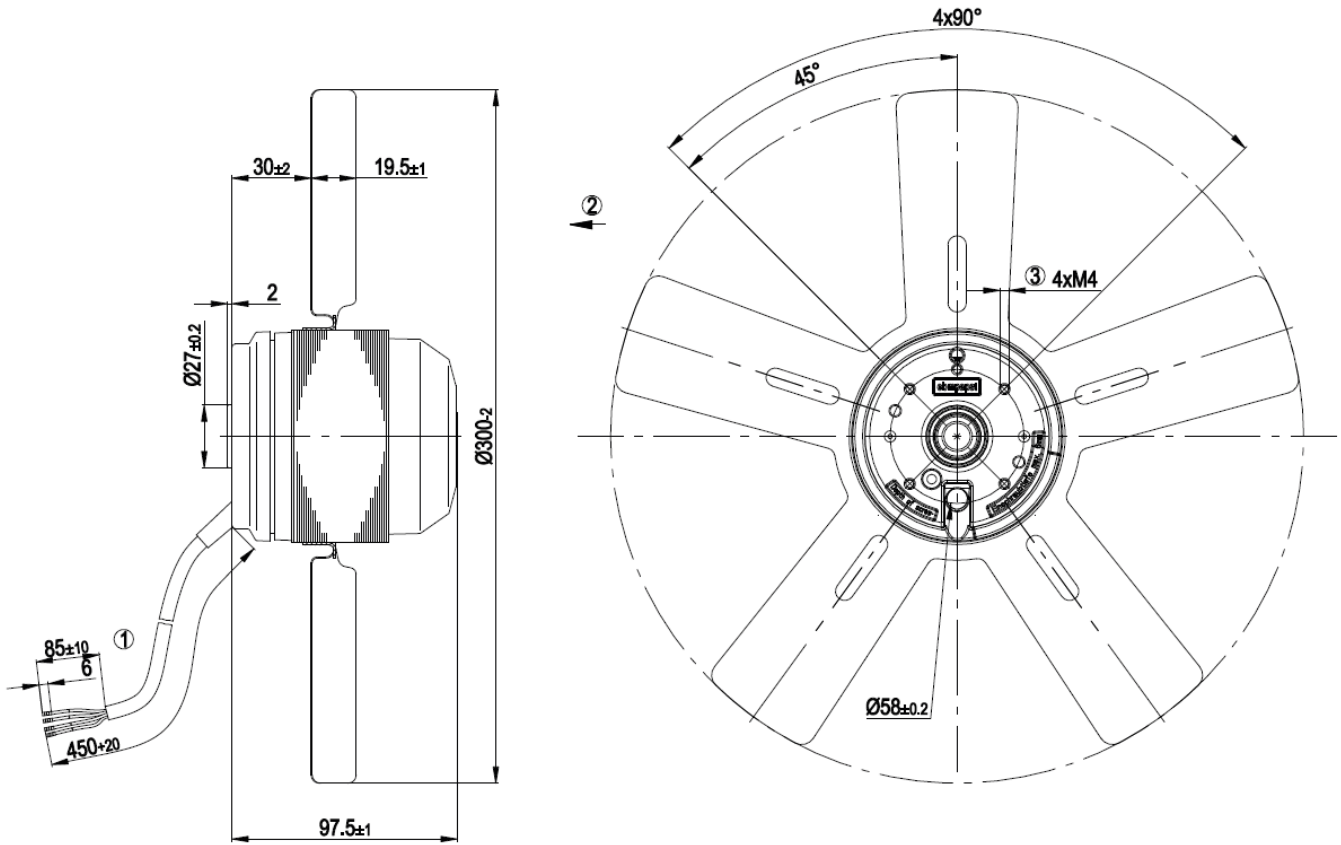
Pressure over air flow at 50Hz



Pressure over air flow at 60Hz

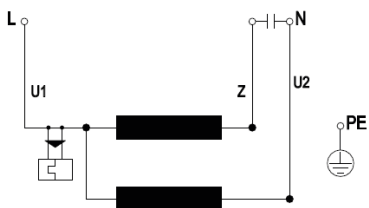


Drawing



1	Cable PVC 4G 0.5 mm <sup>2</sup> , 4x crimped splices
2	Direction of air flow "V"

Connection illustration



U1	blue	Z	brown	U2	black
PE	green/yellow				

Spare parts

# A2E300AC4702

AC axial fans



[Back to product overview:](#)



## Material/surface

- Rotor coated black
- Steelplate blades, coated black
- Number of blades: 5

## Technical description

- Direction of rotation: Right CW, seen on rotor
- Protection: IP44
- Isolation: B
- Condensate discharges: Rotor side
- Mounting position: Free, rotor on top on request
- Mode of operation: Continuous (S1)
- Bearings: Maintenance free ball bearings
- Motor protection: Thermal Overload Protector (TOP) - wired internally
- Cable: Axial out of stator, 450 mm

## Conformity with standards

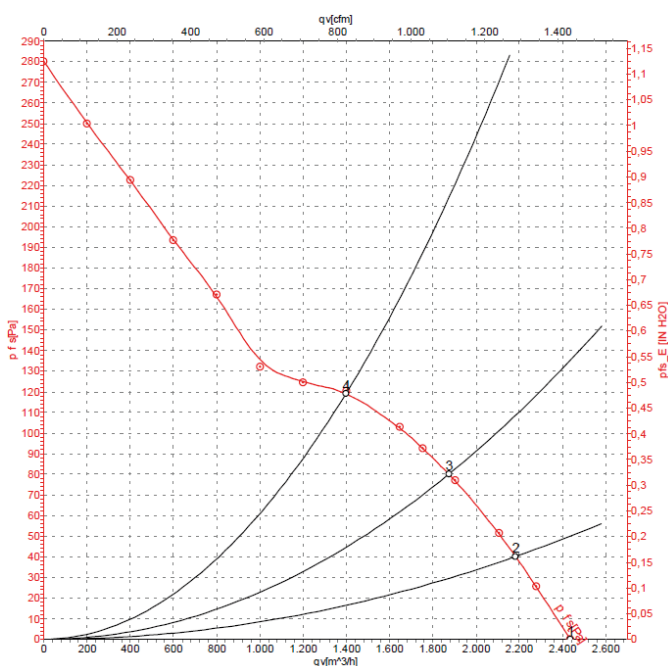
- Norm: EN 60335-1; CE

Go to	<a href="#">Pricelist</a>
Go to	<a href="#">Accessories</a>
Link to	<a href="#">ebm-papst operating instructions</a>
More at	<a href="#">www.ebmpapst.nl</a>

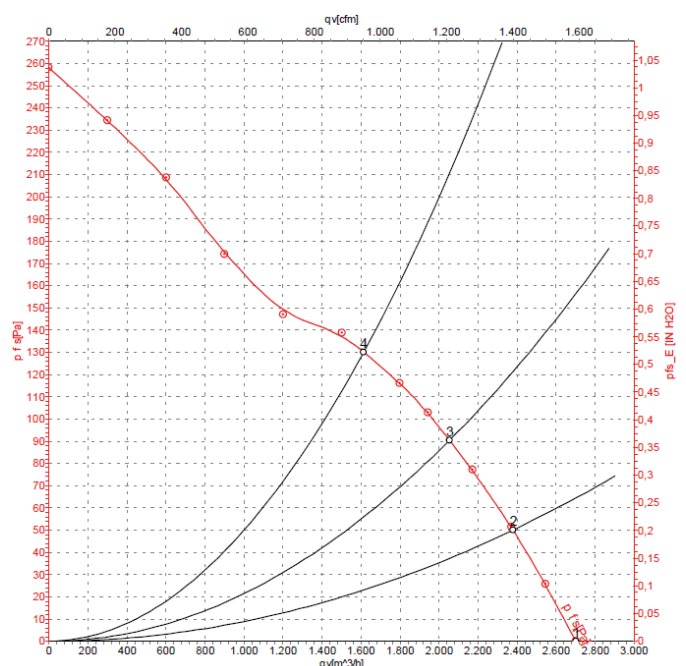
Nominal Data	Motor	Voltage	Frequency	Max. Air flow	Speed	Power consumption	Current draw	Capacitor capacity	Sound pressure level	Max. Back pressure	Perm. ambient temp.	Weight
Type	M2E068-EC	VAC	Hz	m3/h	rpm	W	A	μF/V	dB(A)	Pa	C	kg
A2E300AC4702		230	50	2440	2650	140	0,62	5/400	75	150	-25..+55	2,5
		230	60	2700	2900	190	0,83	5/400	78	150	-25..+50	

Subject to modification [Capacitor](#)  
[Pricelist](#) [280F00037](#)

Pressure over air flow at 50Hz

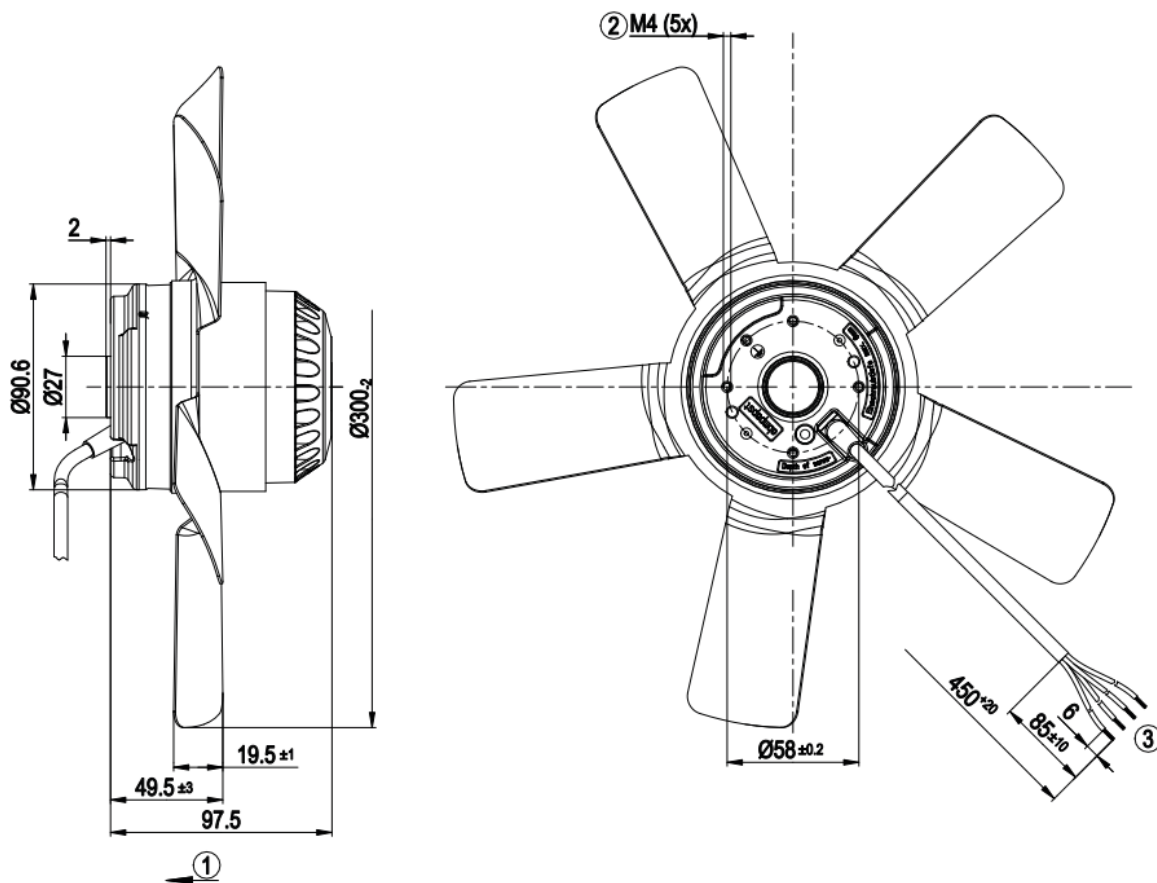


Pressure over air flow at 60Hz



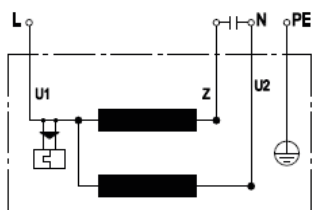


Drawing



1	Direction of air flow "A"
2	Max. clearance for screw 6 mm
3	Cable PVC 4G 0.5 mm <sup>2</sup>
	4x splice

Connection illustration



U1	blue	Z	brown	U2	black
PE	green/yellow				

# S4E300AS7230 Hyblade

## AC axial fans



[Back to product overview:](#)



### Material/surface

- Rotor coated black
- Press-fitted steelplate blades, sprayed with PP
- Number of blades: 5

### Technical description

- Direction of rotation: Left CCW, seen on rotor
- Protection: IP44
- Isolation: B
- Condensate discharges: None
- Mounting position: Free
- Mode of operation: Continuous (S1)
- Bearings: Ball bearing
- Motor protection: Thermal Overload Protector (TOP) - wired internally
- Cable: Variable, 450 mm

### Conformity with standards

- Norm: EN 60335-1; CE; UL available

Go to	<a href="#">Pricelist</a>
Go to	<a href="#">Accessories</a>
Link to	<a href="#">ebm-papst operating instructions</a>
More at	<a href="#">www.ebmpapst.nl</a>

Nominal Data	Motor	Voltage	Frequency	Max. Air flow	Speed	Power consumption	Current draw	Capacitor capacity	Sound pressure level	Max. Back pressure	Perm. ambient temp.	Weight
Type	VAC	Hz	m3/h	rpm	W	A	μF/V	dB(A)	Pa	C	kg	
S4E300AS7230 Hyblade	M4E068-CF	230	50	1800	1320	72	0,32	2/400	60	60	-25..+50	2,8
		230	60	2070	1500	90	0,40	2/400	63	60	-25..+50	

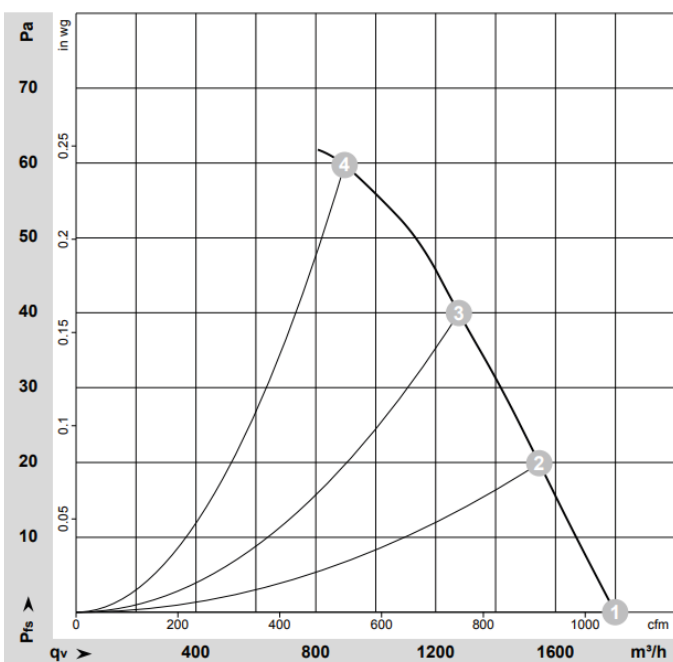
Subject to modification

[Pricelist](#)

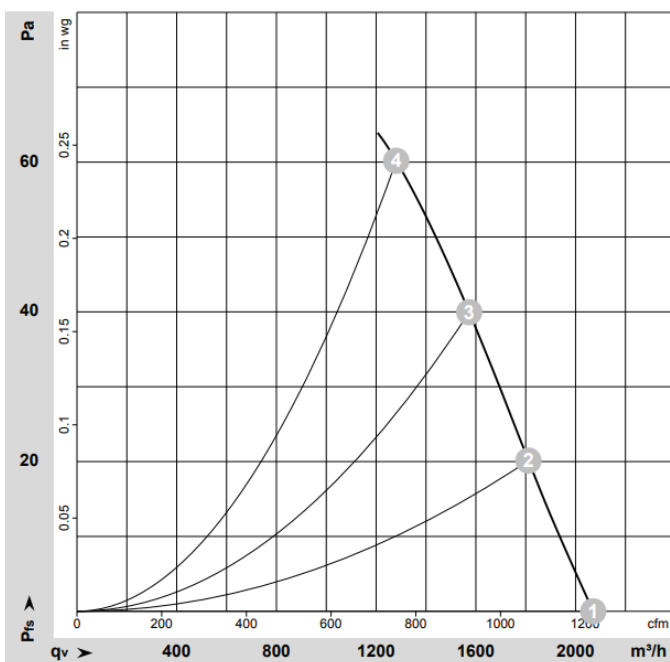
Capacitor

[280F00033](#)

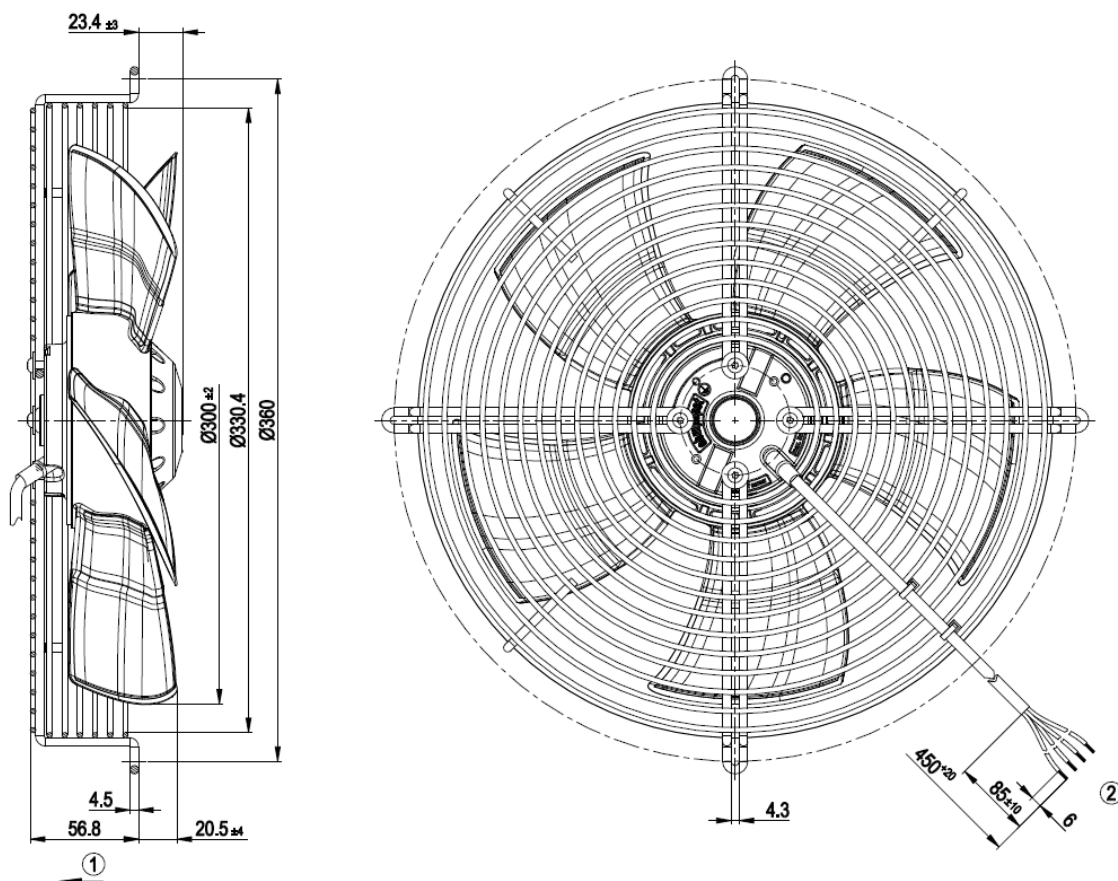
Pressure over air flow at 50Hz



Pressure over air flow at 60Hz

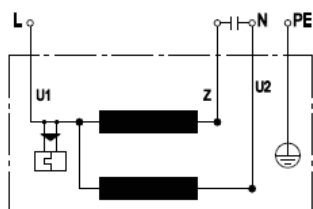


Drawing



1	Direction of air flow "V"
2	Cable PVC 4G 0.5 mm <sup>2</sup> , 4x crimped splices

Connection illustration



U1	blue	Z	brown	U2	black
PE	green/yellow				

# S4E300AS7231 Hyblade

AC axial fans



[Back to product overview:](#)



## Material/surface

- Rotor coated black
- Press-fitted steelplate blades, sprayed with PP
- Number of blades: 5

## Technical description

- Direction of rotation: Right CW, seen on rotor
- Protection: IP44
- Isolation: B
- Condensate discharges: None
- Mounting position: Free
- Mode of operation: Continuous (S1)
- Bearings: Ball bearing
- Motor protection: Thermal Overload Protector (TOP) - wired internally
- Cable: Variable, 450 mm

## Conformity with standards

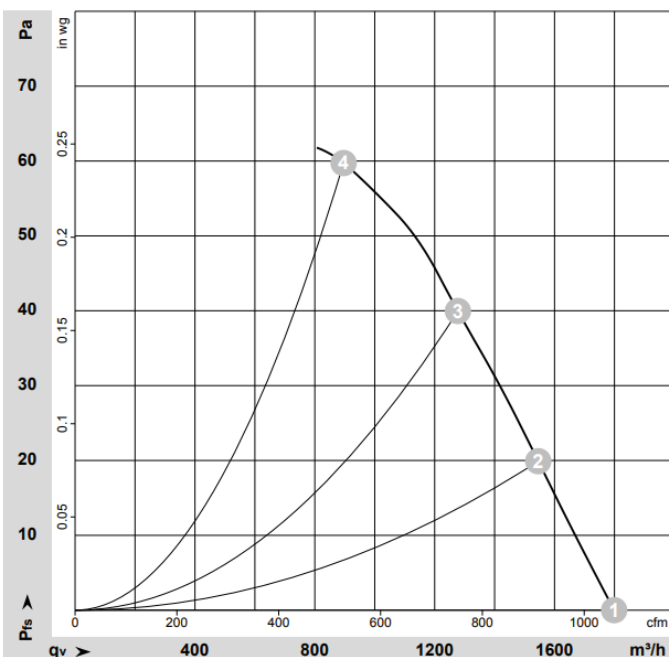
- Norm: EN 60335-1; CE

Go to	<a href="#">Pricelist</a>
Go to	<a href="#">Accessories</a>
Link to	<a href="#">ebm-papst operating instructions</a>
More at	<a href="http://www.ebmpapst.nl">www.ebmpapst.nl</a>

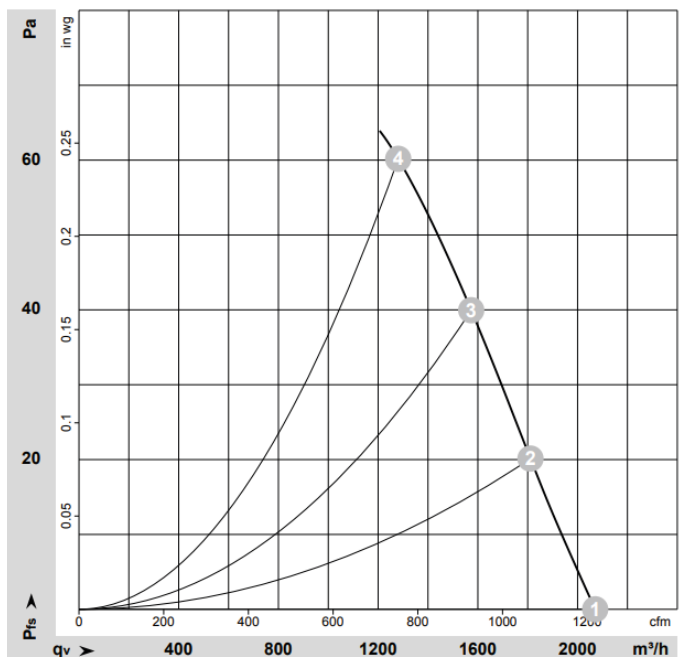
Nominal Data	Motor	Voltage	Frequency	Max. Air flow	Speed	Power consumption	Current draw	Capacitor capacity	Sound pressure level	Max. Back pressure	Perm. ambient temp.	Weight
Type	M4E068-CF	VAC	Hz	m3/h	rpm	W	A	µF/V	dB(A)	Pa	C	kg
S4E300AS7231 Hyblade		230	50	1800	1320	72	0,32	2/400	60	60	-25..+50	2,8
		230	60	2070	1500	90	0,40	2/400	63	60	-25..+50	

Subject to modification [Capacitor](#)  
[Pricelist](#) [280F00033](#)

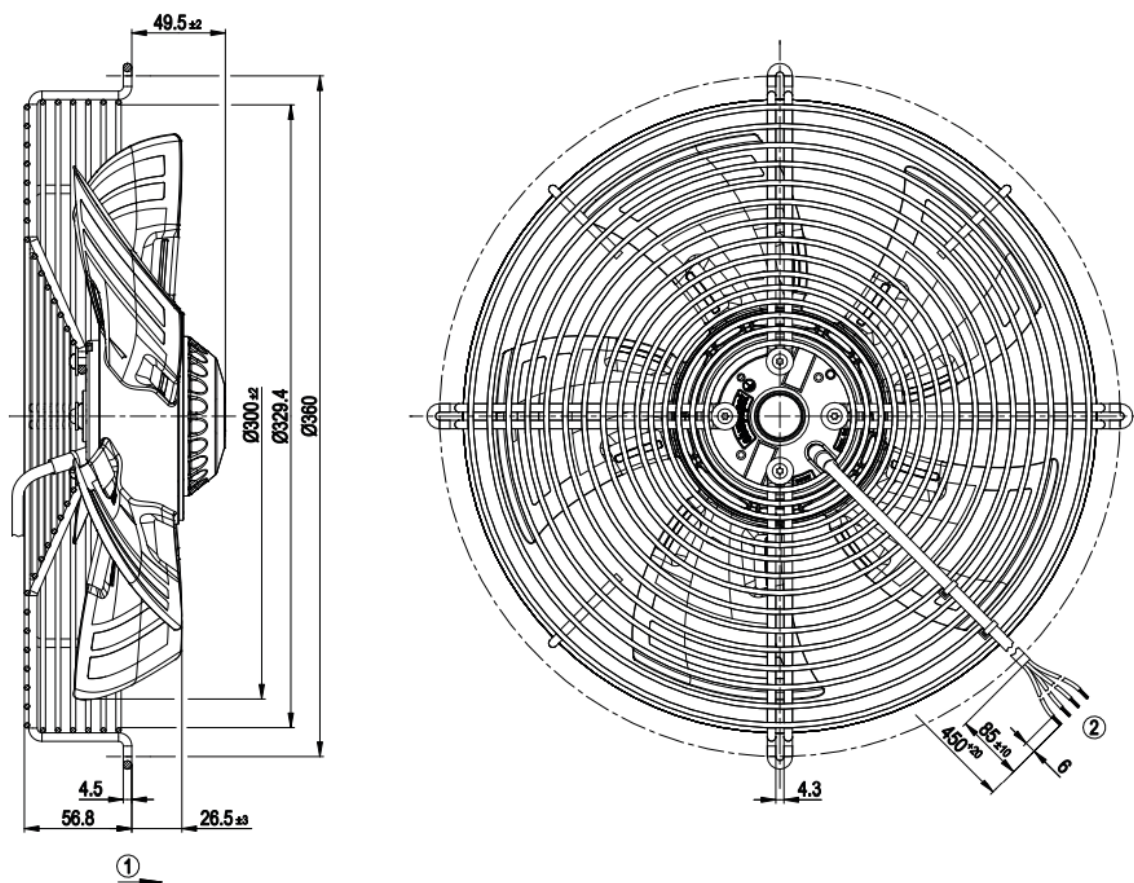
Pressure over air flow at 50Hz



Pressure over air flow at 60Hz

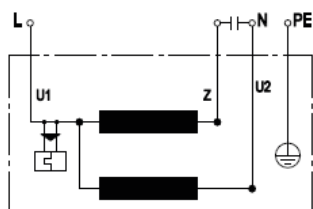


Drawing



- |   |   |
|---|---|
| 1 | Direction of air flow "A"                             |
| 2 | Cable PVC 4X 0.5 mm <sup>2</sup> , 4x crimped splices |

Connection illustration



- |    |              |   |       |    |       |
|----|--------------|---|-------|----|-------|
| U1 | blue         | Z | brown | U2 | black |
| PE | green/yellow |   |       |    |       |

# S4E350AN0230 Hyblade

AC axial fans

[Back to product overview:](#)



## Material/surface

- Rotor coated black
- Press-fitted steelplate blades, sprayed with PP
- Number of blades: 5

## Technical description

- Direction of rotation: Left CCW, seen on rotor
- Protection: IP44
- Isolation: F
- Condensate discharges: Rotor Side
- Mounting position: Free, rotor on top on request
- Mode of operation: Continuous (S1)
- Bearings: Ball bearing
- Motor protection: Thermal Overload Protector (TOP) - wired internally
- Cable: Axial out of stator, 450 mm

## Conformity with standards

- Norm: EN 60335-1; CE

Go to	<a href="#">Pricelist</a>
Go to	<a href="#">Accessories</a>
Link to	<a href="#">ebm-papst operating instructions</a>
More at	<a href="http://www.ebmpapst.nl">www.ebmpapst.nl</a>

Nominal Data	Motor	Voltage	Frequency	Max. Air flow	Speed	Power consumption	Current draw	Capacitor capacity	Sound pressure level	Max. Back pressure	Perm. ambient temp.	Weight
Type	VAC	Hz	m3/h	rpm	W	A	µF/V	dB(A)	Pa	C	kg	
S4E350AN0230 Hyblade	M4E074-DF	230	50	3300	1340	165	0,73	4/400	62	90	-25..+65	4,8

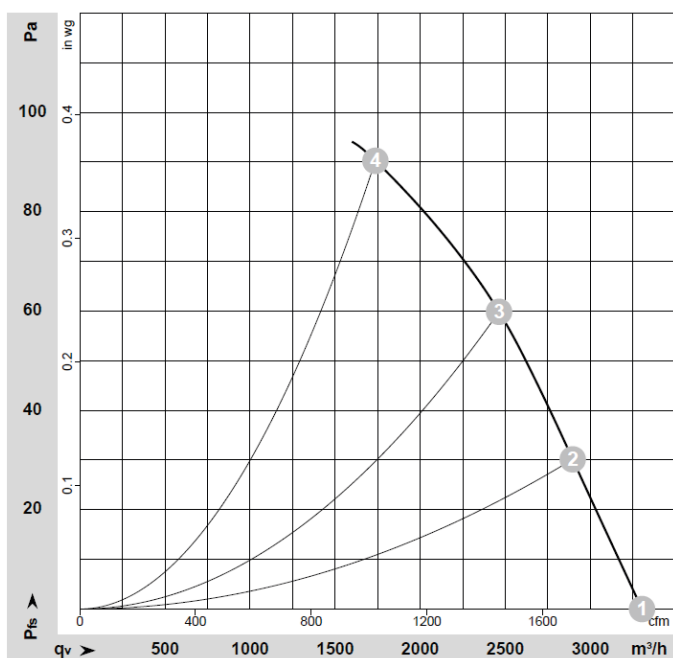
Subject to modification

[Pricelist](#)

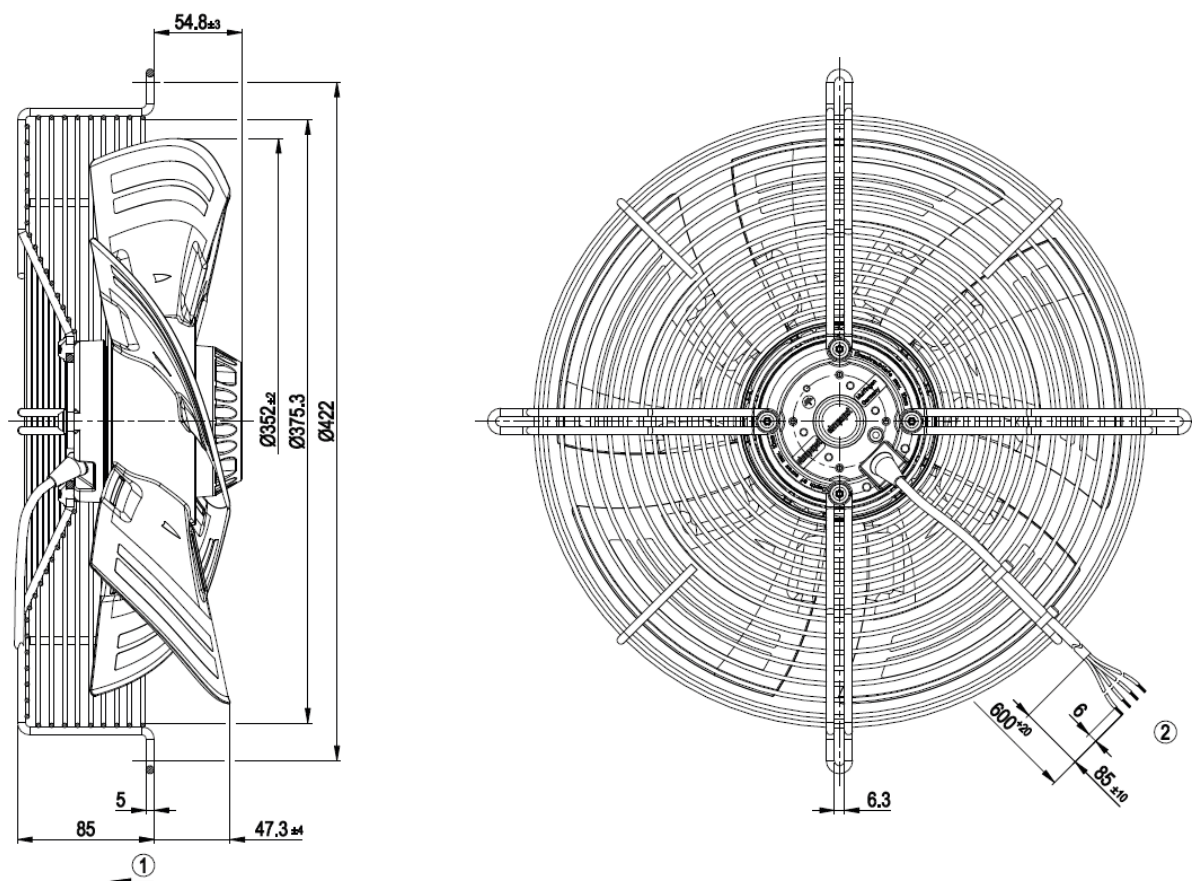
Capacitor

[280F00036](#)

## Pressure over air flow at 50Hz

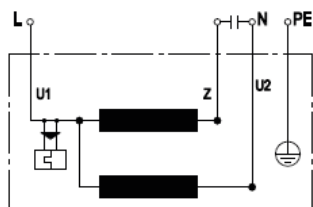


## Drawing



- |   |  |
|---|--|
| 1 | Direction of air flow "V"                                  |
| 2 | Cable silicone 4G 0.5 mm <sup>2</sup> , 4x crimped splices |

## Connection illustration



U1	blue	Z	brown	U2	black
PE	green/yellow				

# S4E350AN0231 Hyblade

## AC axial fans

[Back to product overview:](#)



### Material/surface

- Rotor coated black
- Press-fitted steelplate blades, sprayed with PP
- Number of blades: 5

### Technical description

- Direction of rotation: Right CW, seen on rotor
- Protection: IP44
- Isolation: F
- Condensate discharges: Rotor Side
- Mounting position: Free, rotor on top on request
- Mode of operation: Continuous (S1)
- Bearings: Ball bearing
- Motor protection: Thermal Overload Protector (TOP) - wired internally
- Cable: Axial out of stator, 450 mm

### Conformity with standards

- Norm: EN 60335-1, CE

Go to	<a href="#">Pricelist</a>
Go to	<a href="#">Accessories</a>
Link to	<a href="#">ebm-papst operating instructions</a>
More at	<a href="http://www.ebmpapst.nl">www.ebmpapst.nl</a>

Nominal Data	Motor	Voltage	Frequency	Max. Air flow	Speed	Power consumption	Current draw	Capacitor capacity	Sound pressure level	Max. Back pressure	Perm. ambient temp.	Weight
Type	VAC	Hz	m3/h	rpm	W	A	μF/V	dB(A)	Pa	C	kg	
S4E350AN0231 Hyblade	M4E074-DF	230	50	3300	1340	165	0,73	4/400	62	90	-25..+65	4,8

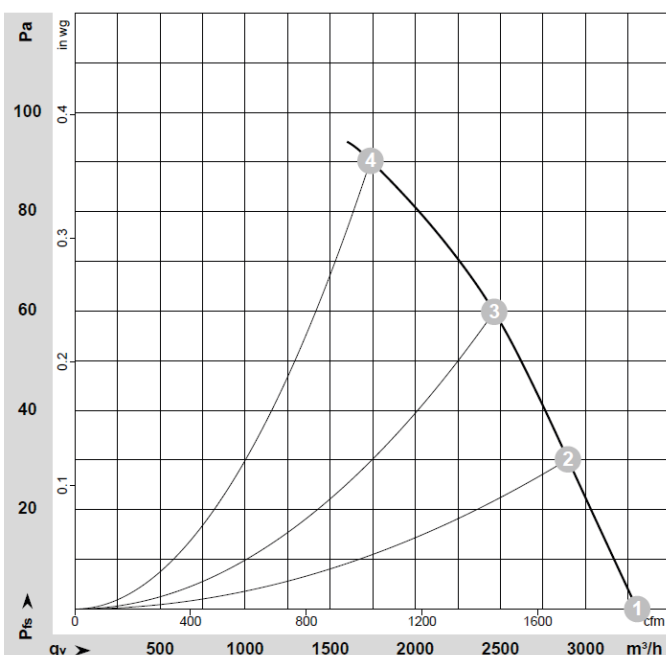
Subject to modification

[Pricelist](#)

Capacitor

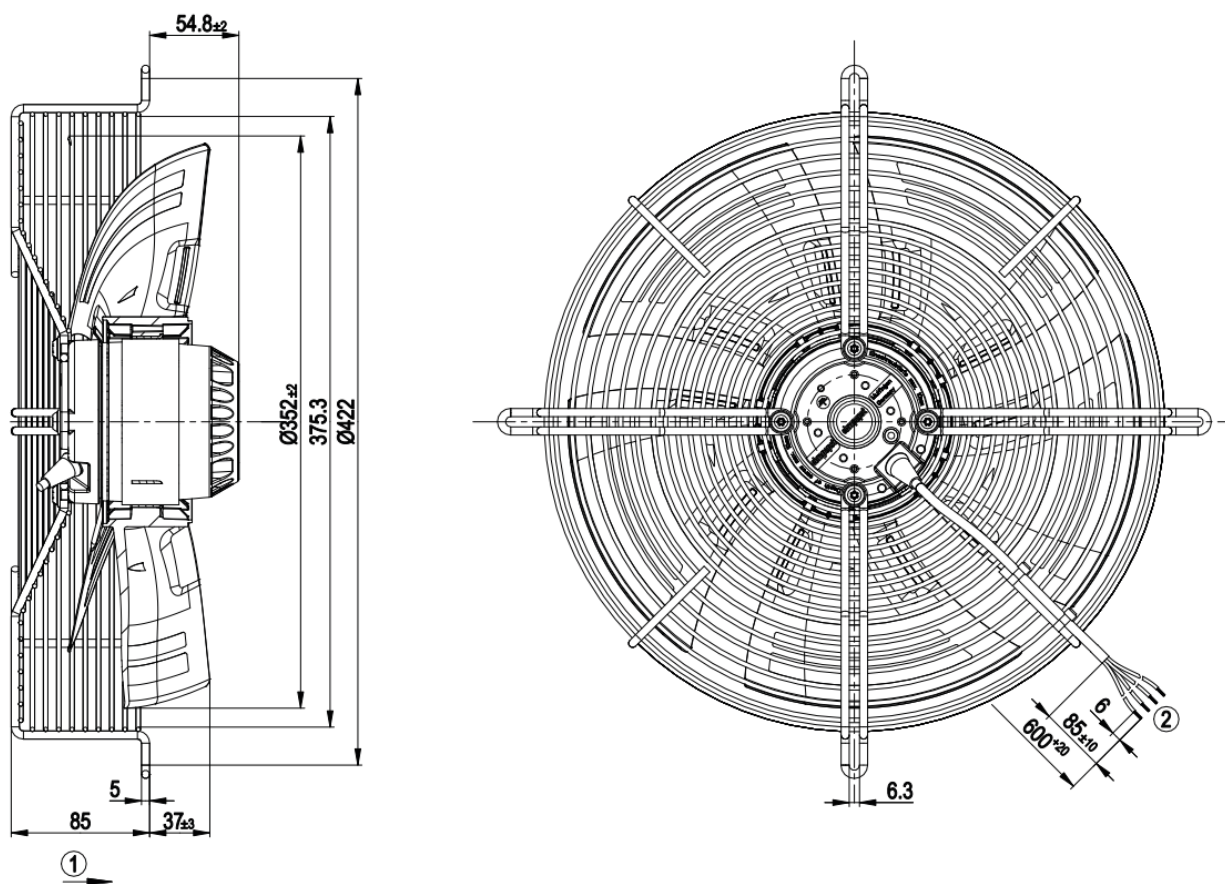
[280F00036](#)

### Pressure over air flow at 50Hz



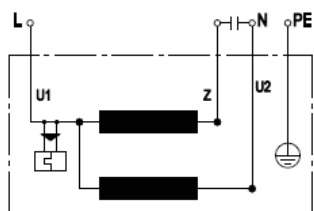


Drawing



1	Direction of air flow "A"
2	Cable silicone 4G 0.5 mm <sup>2</sup> , 4x crimped splices

Connection illustration



U1	blue	Z	brown	U2	black
PE	green/yellow				

Spare parts

# S4E400AP0203

AC axial fans



[Back to product overview:](#)



### Material/surface

- Rotor coated black
- Steelplate blades, coated black
- Number of blades: 5

### Technical description

- Direction of rotation: Left CCW, seen on rotor
- Protection: IP44
- Isolation: B
- Condensate discharges: Rotor side
- Mounting position: Free, rotor on top on request
- Mode of operation: Continuous (S1)
- Bearings: Ball bearing
- Motor protection: Thermal Overload Protector (TOP) - wired internally
- Cable: Variable, 450 mm

### Conformity with standards

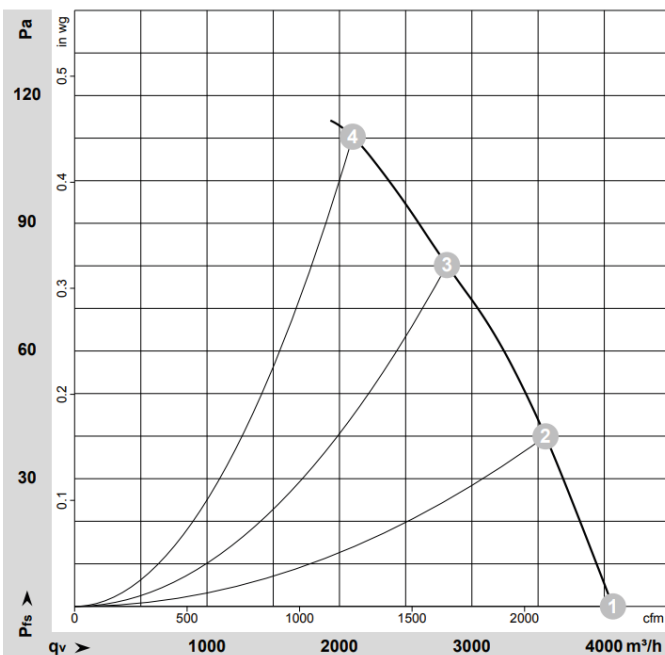
- Norm: EN 60335-1; CE

Go to	<a href="#">Pricelist</a>
Go to	<a href="#">Accessories</a>
Link to	<a href="#">ebm-papst operating instructions</a>
More at	<a href="http://www.ebmpapst.nl">www.ebmpapst.nl</a>

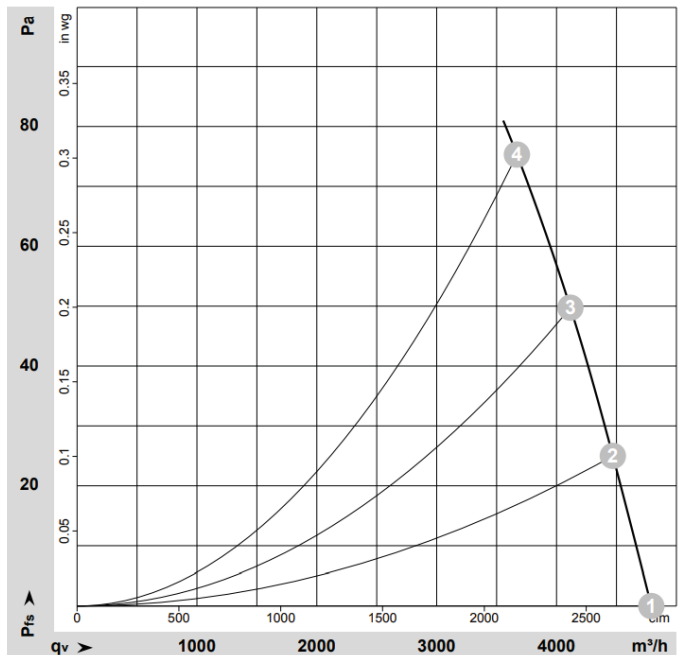
Nominal Data	Motor	Voltage	Frequency	Max. Air flow	Speed	Power consumption	Current draw	Capacitor capacity	Sound pressure level	Max. Back pressure	Perm. ambient temp.	Weight
Type	VAC	Hz	m3/h	rpm	W	A	μF/V	dB(A)	Pa	C	kg	
S4E400AP0203	M4E074-EI	230	50	4235	1430	160	0,73	6/400	69	110	-25..+40	5,9
		230	60	4950	1700	240	1,06	6/400	73	75	-25..+40	

Subject to modification [Capacitor](#)  
[Pricelist](#) [280F00038](#)

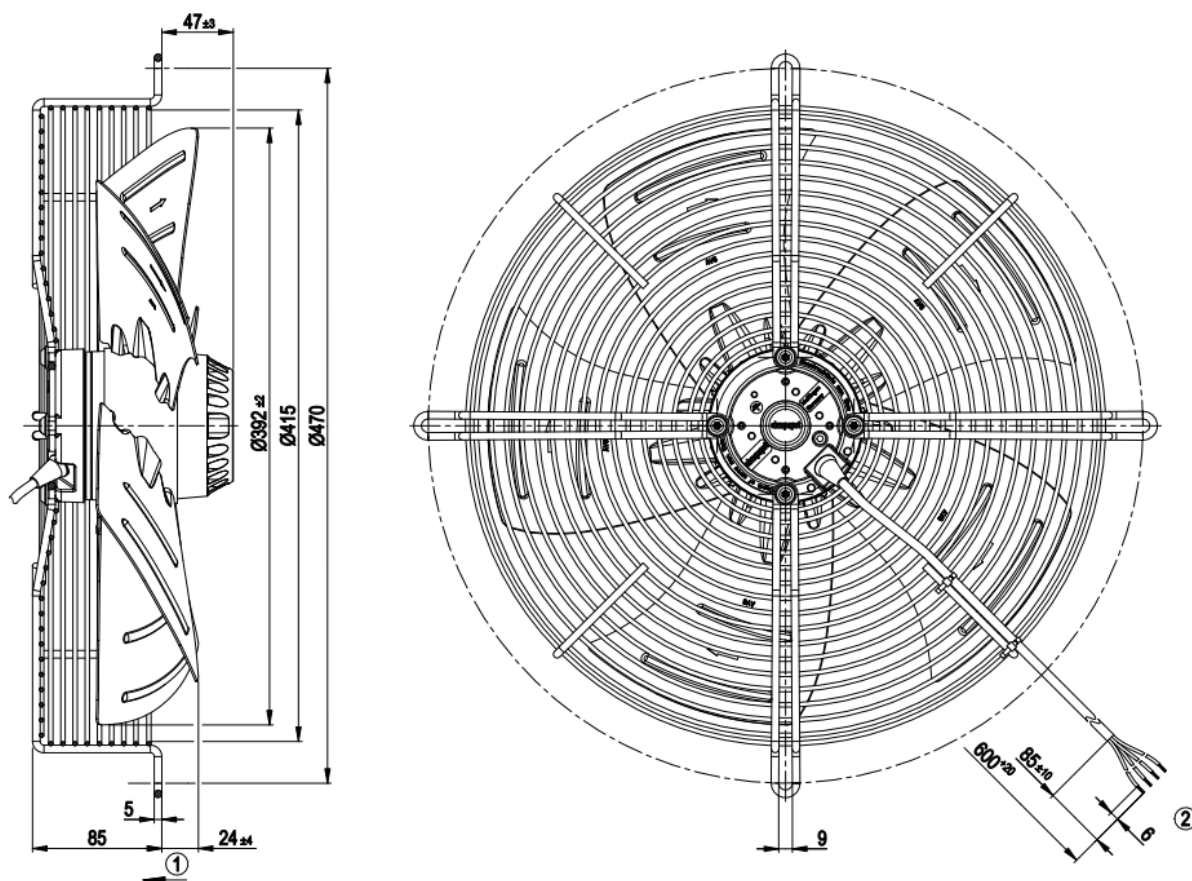
Pressure over air flow at 50Hz



Pressure over air flow at 60Hz

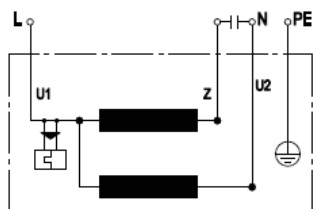


Drawing



- 1 Direction of air flow "V"
- 2 Cable PVC 4G 0.5 mm<sup>2</sup>, 4x crimped splices

Connection illustration



U1	blue	Z	brown	U2	black
PE	green/yellow				

Spare parts

# S4E400AP0204

AC axial fans



[Back to product overview:](#)



### Material/surface

- Rotor coated black
- Steelplate blades, coated black
- Number of blades: 5

### Technical description

- Direction of rotation: Right CW, seen on rotor
- Protection: IP44
- Isolation: B
- Condensate discharges: Rotor side
- Mounting position: Free, rotor on top on request
- Mode of operation: Continuous (S1)
- Bearings: Ball bearing
- Motor protection: Thermal Overload Protector (TOP) - wired internally
- Cable: Variable, 450 mm

### Conformity with standards

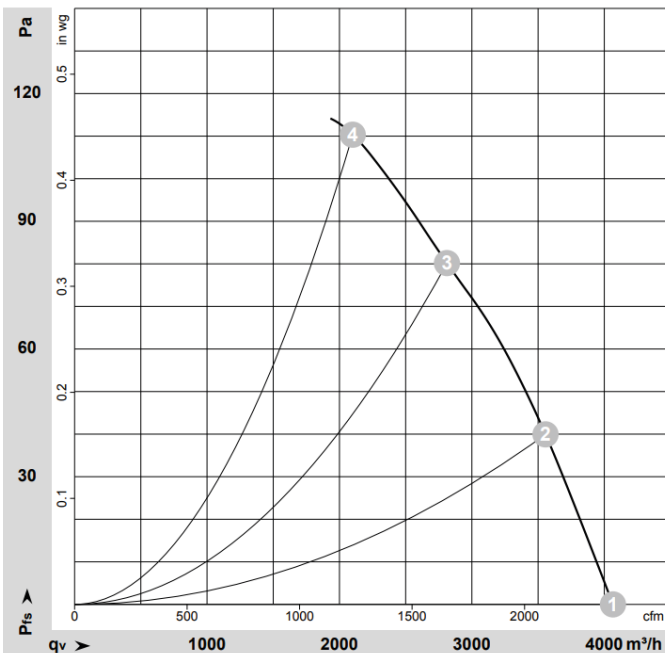
- Norm: EN 60335-1; CE

Go to	<a href="#">Pricelist</a>
Go to	<a href="#">Accessories</a>
Link to	<a href="#">ebm-papst operating instructions</a>
More at	<a href="http://www.ebmpapst.nl">www.ebmpapst.nl</a>

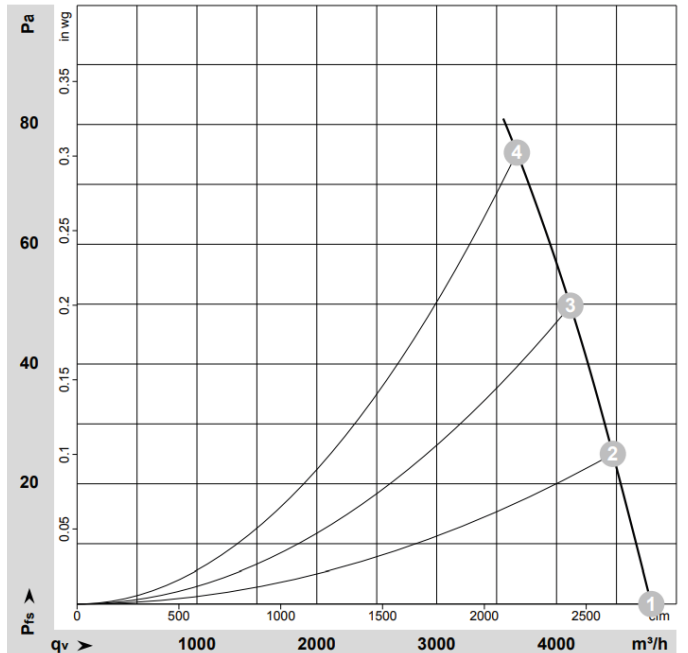
Nominal Data	Motor	Voltage	Frequency	Max. Air flow	Speed	Power consumption	Current draw	Capacitor capacity	Sound pressure level	Max. Back pressure	Perm. ambient temp.	Weight
Type	VAC	Hz	m3/h	rpm	W	A	μF/V	dB(A)	Pa	C	kg	
S4E400AP0204	M4E074-EI	230	50	4235	1430	160	0,73	6/400	69	110	-25..+40	5,9
		230	60	4950	1700	240	1,06	6/400	73	75	-25..+40	

Subject to modification [Capacitor](#)  
[Pricelist](#) [280F00038](#)

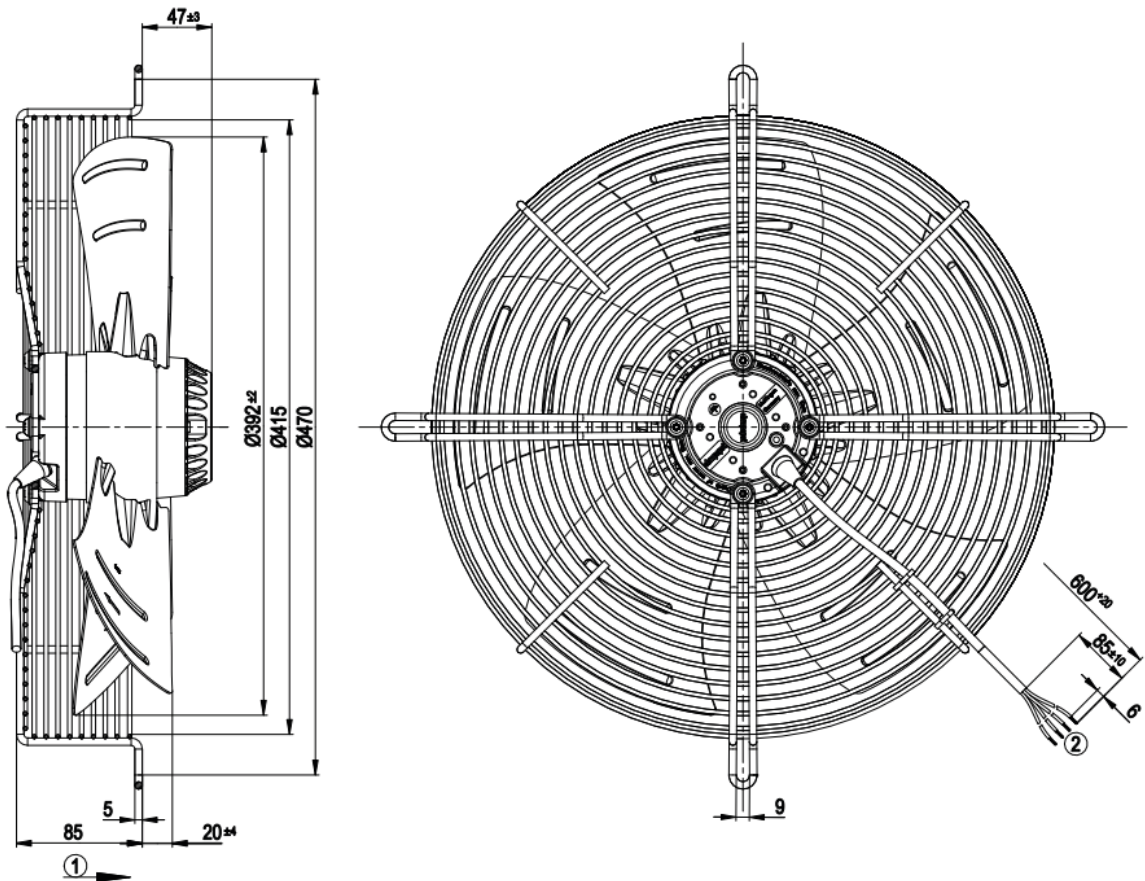
Pressure over air flow at 50Hz



Pressure over air flow at 60Hz

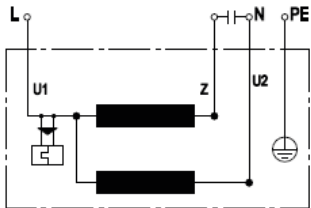


Drawing



1	Direction of air flow "A"
2	Cable PVC 4G 0.5 mm <sup>2</sup> , 4x crimped splices

Connection illustration



U1	blue	Z	brown	U2	black
PE	green/yellow				

Spare parts

# S4E450AP0101

AC axial fans



[Back to product overview:](#)



### Material/surface

- Rotor coated black
- Steelplate blades, coated black
- Number of blades: 5

### Technical description

- Direction of rotation: Right CW, seen on rotor
- Protection: IP44
- Isolation: B
- Condensate discharges: Rotor side
- Mounting position: Free, rotor on top on request
- Mode of operation: Continuous (S1)
- Bearings: Ball bearing
- Motor protection: Thermal Overload Protector (TOP) - wired internally
- Cable: Variable, 600 mm

### Conformity with standards

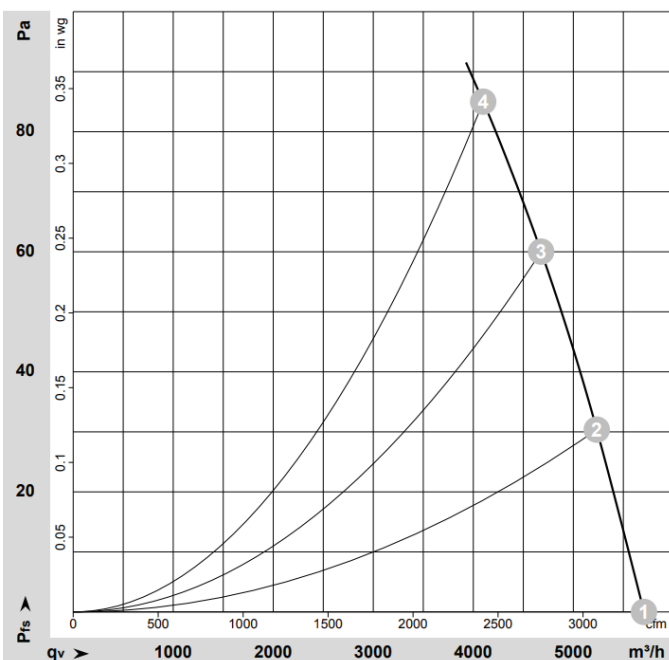
- Norm: EN 60335-1; CE

Go to	<a href="#">Pricelist</a>
Go to	<a href="#">Accessories</a>
Link to	<a href="#">ebm-papst operating instructions</a>
More at	<a href="http://www.ebmpapst.nl">www.ebmpapst.nl</a>

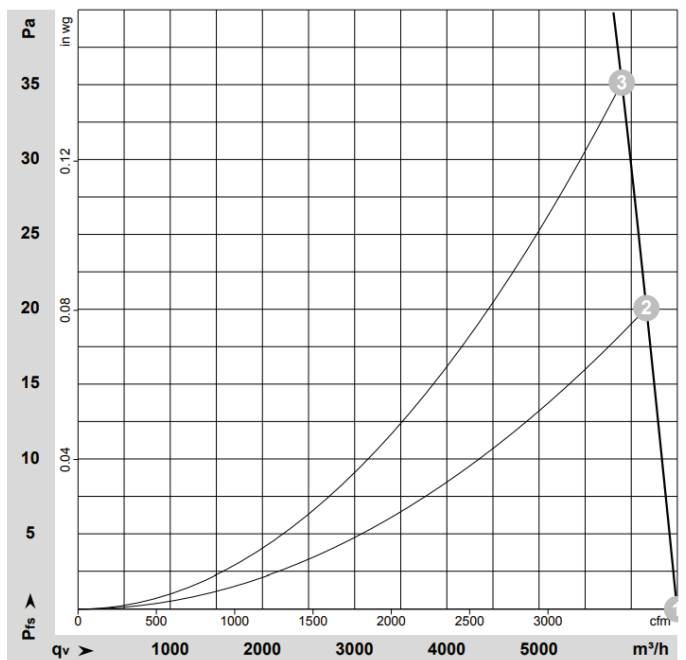
Nominal Data	Type	Motor	Voltage VAC	Frequency Hz	Max. Air flow m3/h	Speed rpm	Power consumption W	Current draw A	Capacitor capacity µF/V	Sound pressure level dB(A)	Max. Back pressure Pa	Perm. ambient temp. C	Weight kg
	S4E450AP0101	M4E074-GA	230	50	5700	1400	245	1,1	8/400	73	85	-25..+60	7,1
			230	60	6500	1600	355	1,55	8/400	76	35	-25..+40	

Subject to modification [Pricelist](#) Capacitor [280F00039](#)

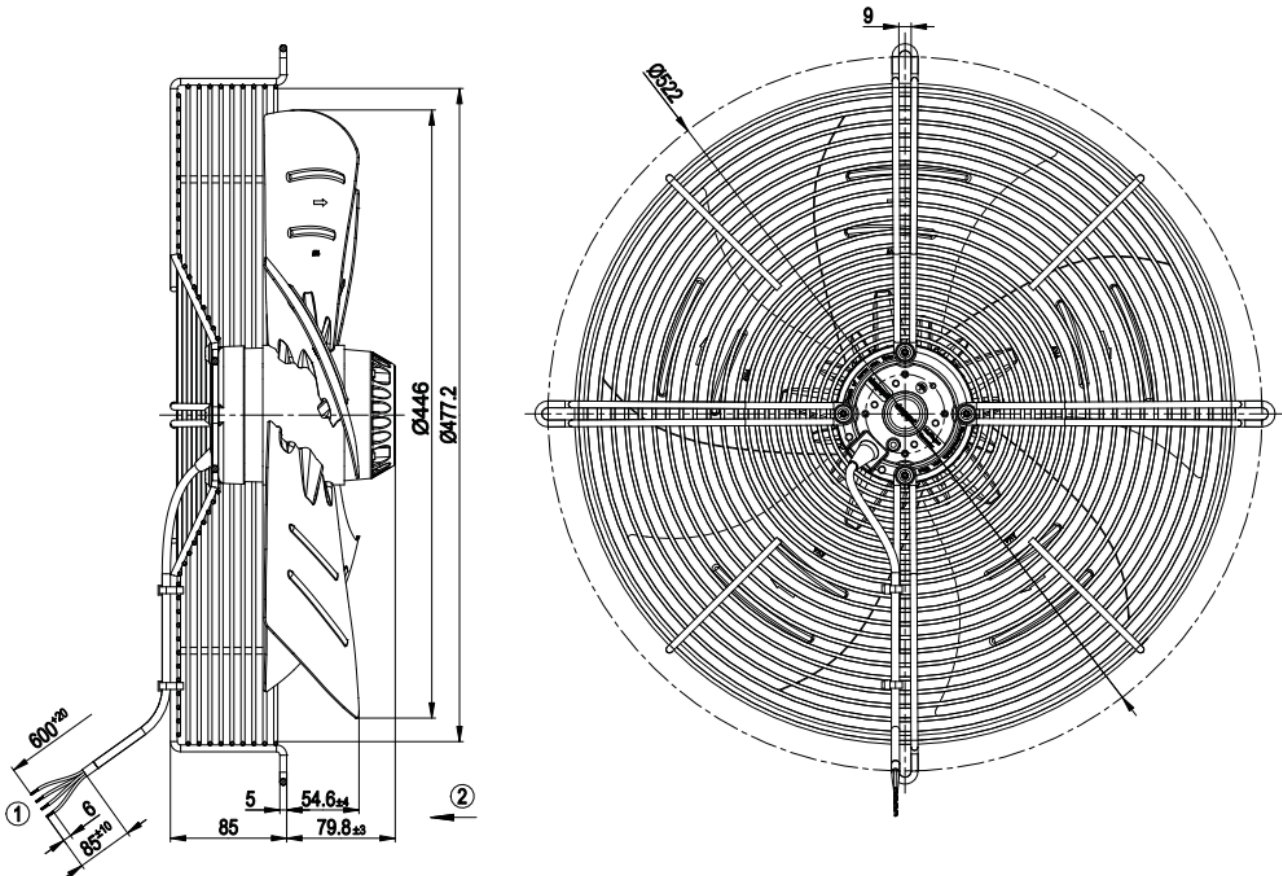
Pressure over air flow at 50Hz



Pressure over air flow at 60Hz

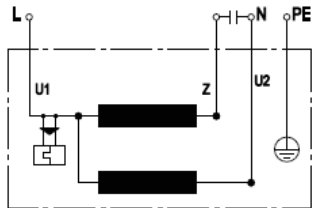


Drawing



- 1 Cable silicone 4G 0.5 mm<sup>2</sup>, 4x crimped splice
- 2 Direction of air flow "V"

Connection illustration



U1	blue	Z	brown	U2	black
PE	green/yellow				

Spare parts





# EC axial fans

**ebmpapst**

engineering a better life

# W1G200EC8725 ESM

EC axial fans

[Back to product overview:](#)



### Material/surface

- PP plastic
- PA plastic blades
- Number of blades: 5

### Technical description

- Direction of rotation: Left CCW, seen on rotor
- Protection: IP55
- Isolation: B
- Mounting position: Free, rotor on top on request
- Mode of operation: S1, 2 speed levels
- Bearings: Ball bearings
- Motor protection: Thermal Overload Protector (TOP) - wired internally
- Cable: Lateral, 450 mm

### Conformity with standards

- Norm: EN 60335-1; EN 60335-2-24; EN 60335-2-80; EN 60335-2-89; CE

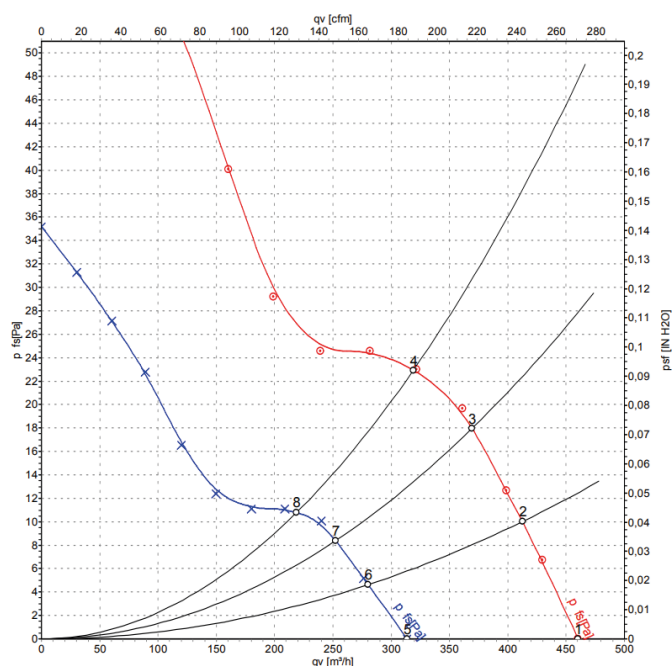
Go to	<a href="#">Pricelist</a>
Go to	<a href="#">Accessories</a>
Link to	<a href="#">ebm-papst operating instructions</a>
More at	<a href="#">www.ebmpapst.nl</a>

Nominal Data		Voltage	Frequency	Max. Air flow	Speed	Power consumption	Current draw	Capacitor capacity	Sound pressure level	Max. Back pressure	Perm. ambient temp.	Weight
Type	Motor	VAC	Hz	m3/h	rpm	W	A	μF/V	dB(A)	Pa	C	kg
W1G200EC8725 ESM	M1G055-BD	230	50/60	460	1300	8	0,07	-	-	23	-30..+50	1,0

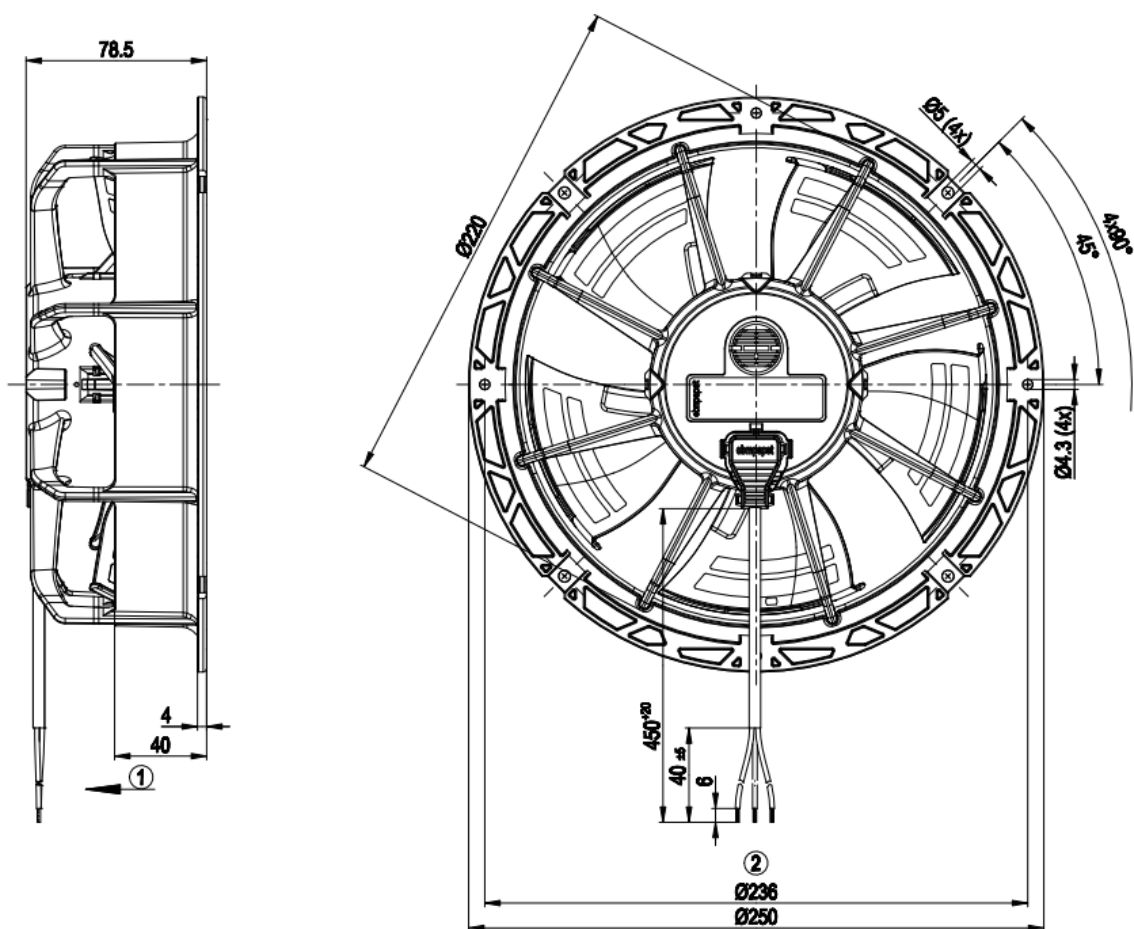
Subject to modification

[Pricelist](#)

### Pressure over air flow at 50Hz

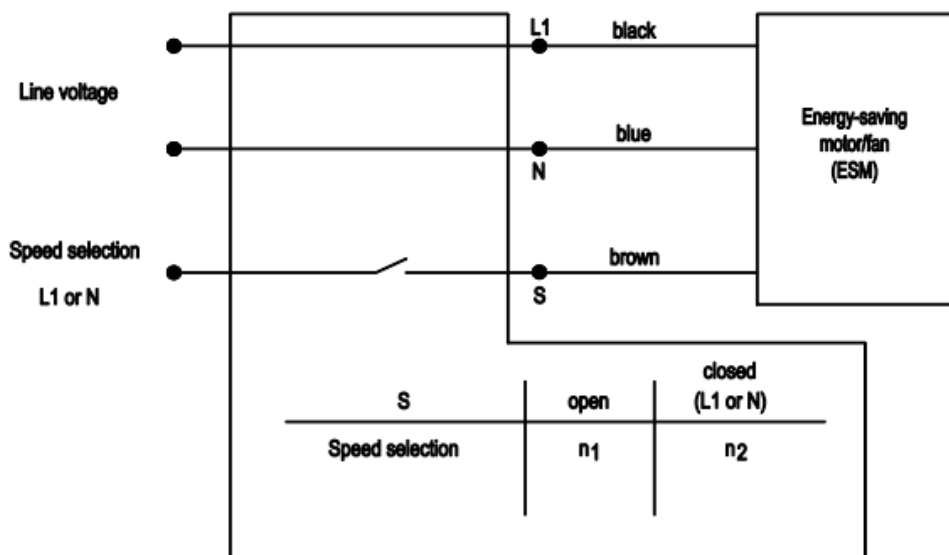


Drawing



- 1 Direction of air flow "V"
- 2 Cable PVC AWG20, 3x crimped splices

Connection illustration



# W1G200EC9145 ESM

EC axial fans

[Back to product overview:](#)



### Material/surface

- PP plastic
- PA plastic blades
- Number of blades: 5

### Technical description

- Direction of rotation: Right CW, seen on rotor
- Protection: IP55
- Isolation: B
- Mounting position: Free, rotor on top on request
- Mode of operation: S1, 2 speed levels
- Bearings: Ball bearings
- Motor protection: Thermal Overload Protector (TOP) - wired internally
- Cable: Lateral, 450 mm

### Conformity with standards

- Norm: EN 60335-1; EN 60335-2-24; EN 60335-2-80; EN 60335-2-89; CE

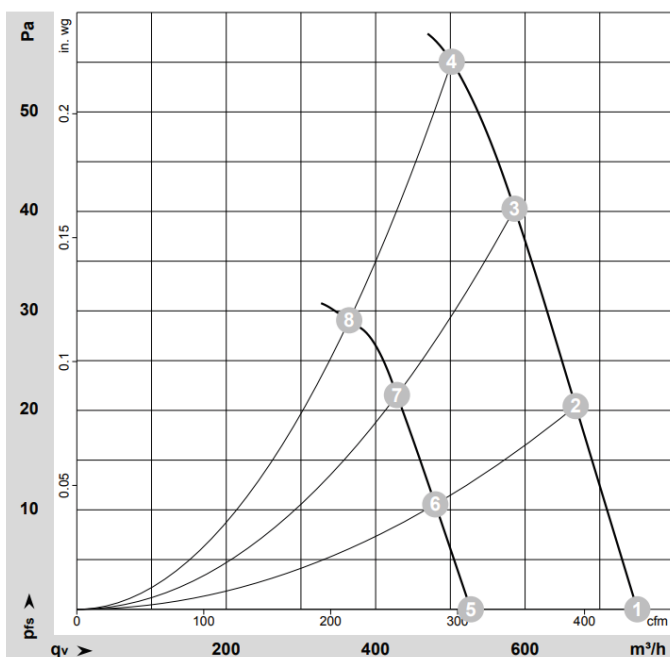
Go to	<a href="#">Pricelist</a>
Go to	<a href="#">Accessories</a>
Link to	<a href="#">ebm-papst operating instructions</a>
More at	<a href="http://www.ebmpapst.nl">www.ebmpapst.nl</a>

Nominal Data	Motor	Voltage	Frequency	Max. Air flow	Speed	Power consumption	Current draw	Capacitor capacity	Sound pressure level	Max. Back pressure	Perm. ambient temp.	Weight
Type	VAC	Hz	m3/h	rpm	W	A	µF/V	dB(A)	Pa	C	kg	
W1G200EC9145 ESM	M1G055-BD	230	50/60	750	2100	31	0,24	-	-	55	-30..+50	1,0

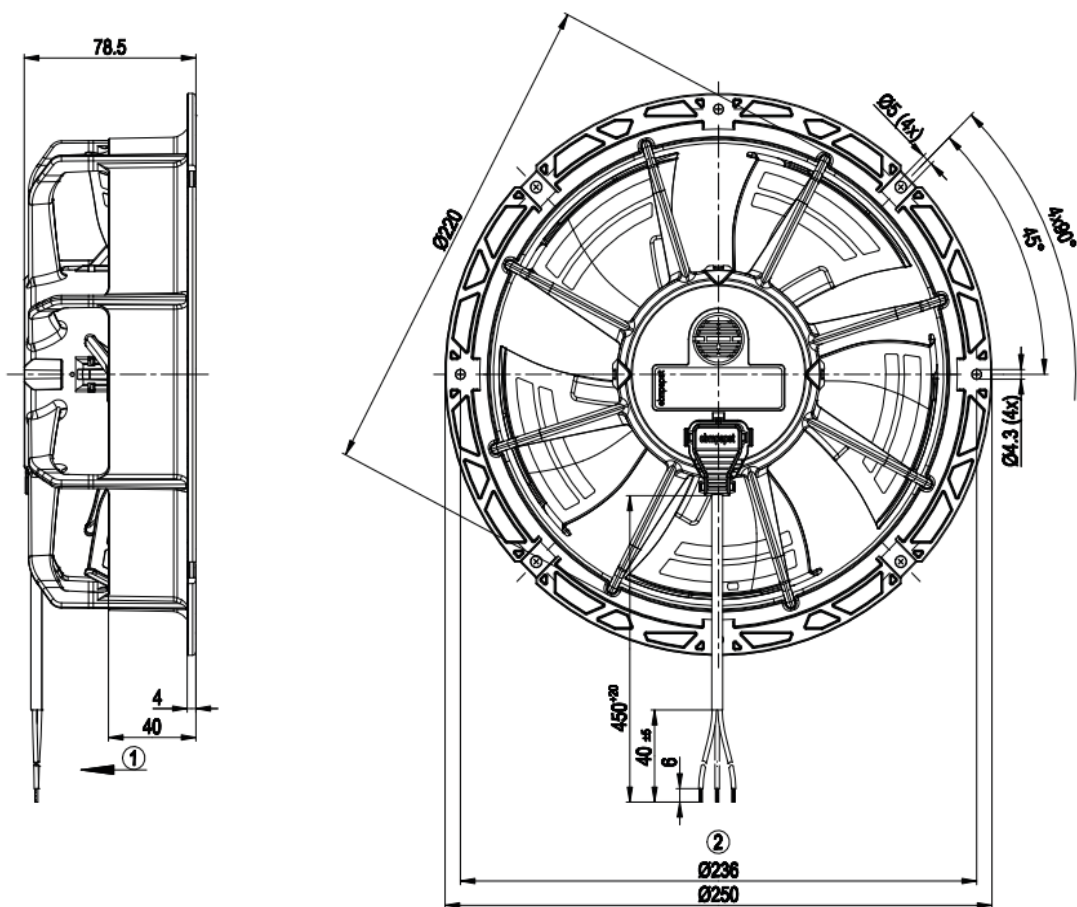
Subject to modification

[Pricelist](#)

### Pressure over air flow at 50Hz

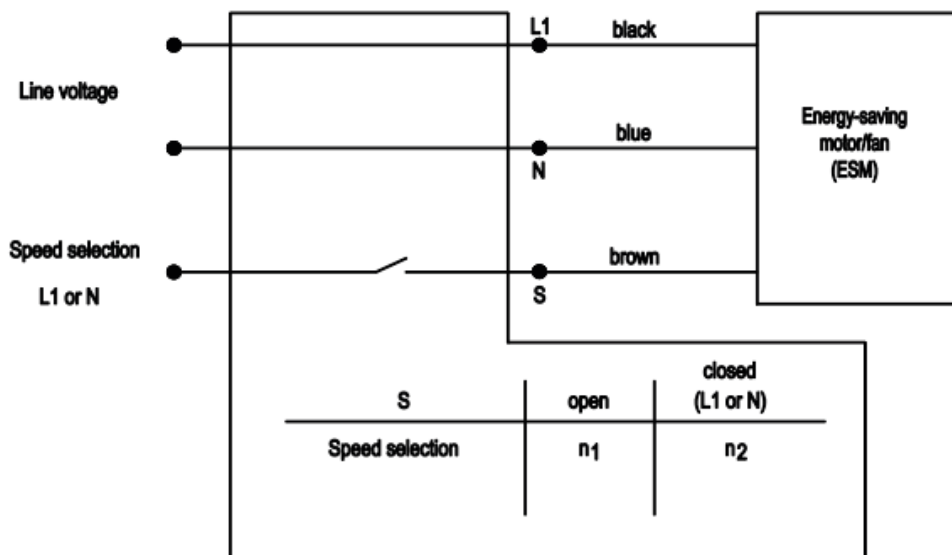


Drawing



- 1 Direction of air flow "V"
- 2 Cable PVC AWG20, 3x crimped splices

Connection illustration



# W3G300DN0253

EC axial fans

[Back to product overview:](#)



### Material/surface

- Rotor: Galvanized
- Terminal box: ABS plastic
- Blades: Press-fitted sheet steel blank, sprayed with PP plastic
- Fan housing: Sheet steel, pre-galvanized and coated with black plastic (RAL 9005)
- Number of blades: 5

### Technical description

- Direction of rotation: Right CW, seen on rotor
- Protection: IP54
- Isolation: B
- Mounting position: Any
- Bearings: Ball bearings
- Motor protection: Electronic motor protection
- Cable: Variable

### Conformity with standards

- Norm: EN 60335-1; CE

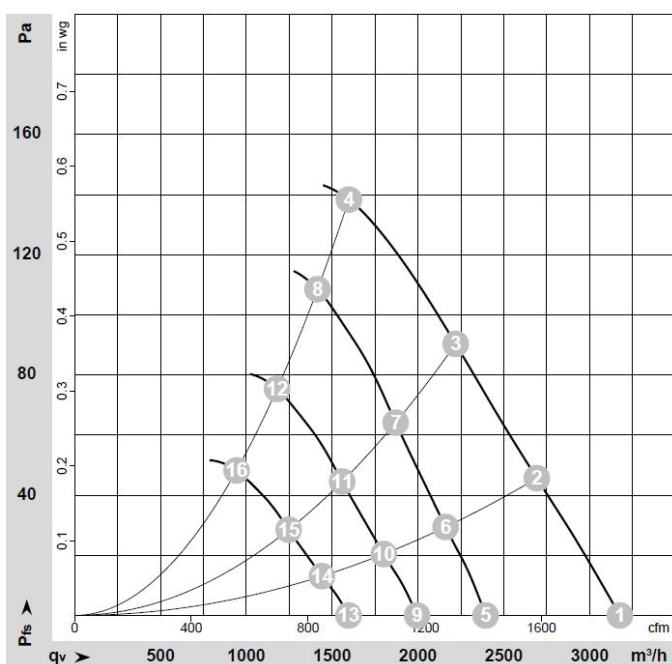
Go to	<a href="#">Pricelist</a>
Go to	<a href="#">Accessories</a>
Link to	<a href="#">ebm-papst operating instructions</a>
More at	<a href="http://www.ebmpapst.nl">www.ebmpapst.nl</a>

Nominal Data	Motor	Voltage	Frequency	Max. Air flow	Speed	Power consumption	Current draw	Capacitor capacity	Sound pressure level	Max. Back pressure	Perm. ambient temp.	Weight
Type	VAC	Hz	m3/h	rpm	W	A	µF/V	dB(A)	Pa	C	kg	
W3G300DN0253	M3G074-CF	230	50/60	3175	2020	170	1,35	-	-	140	-25..+60	5,0

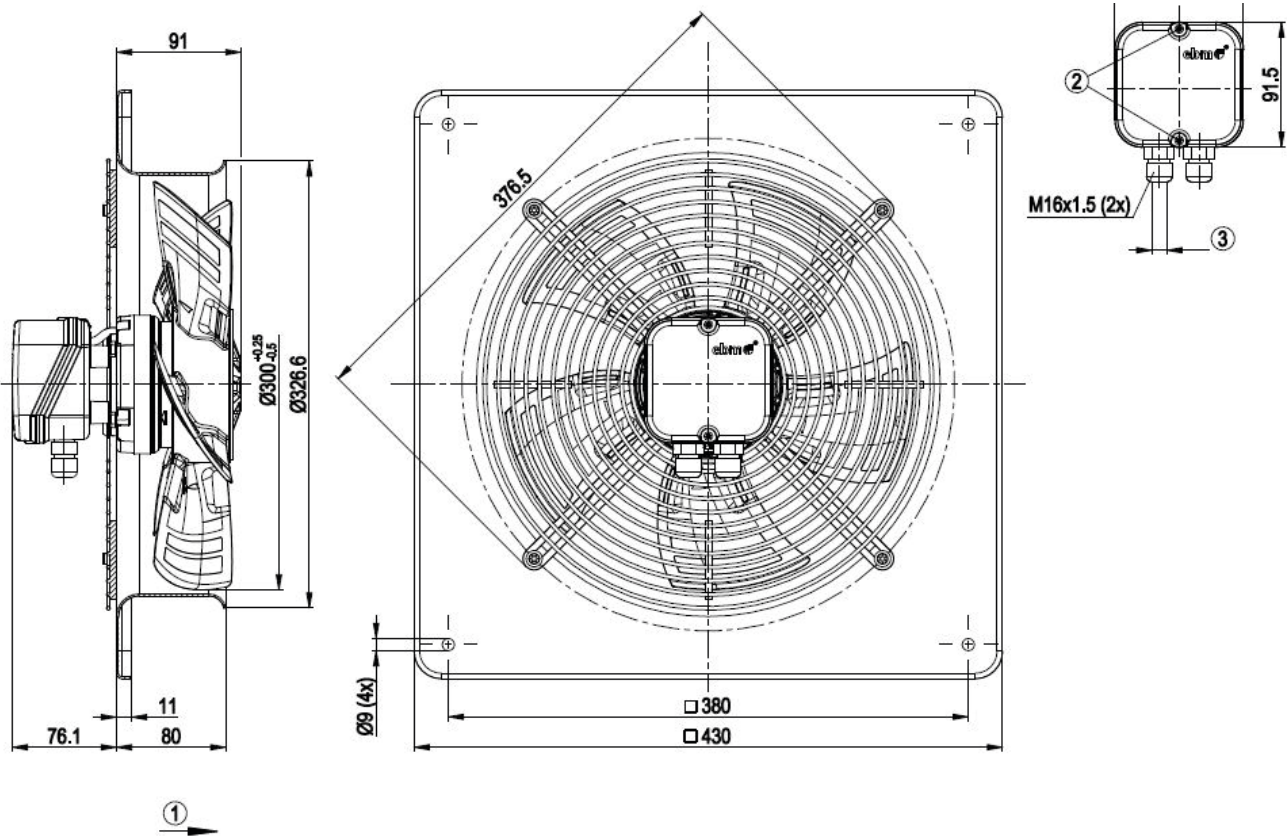
Subject to modification

[Pricelist](#)

### Pressure over air flow at 50Hz

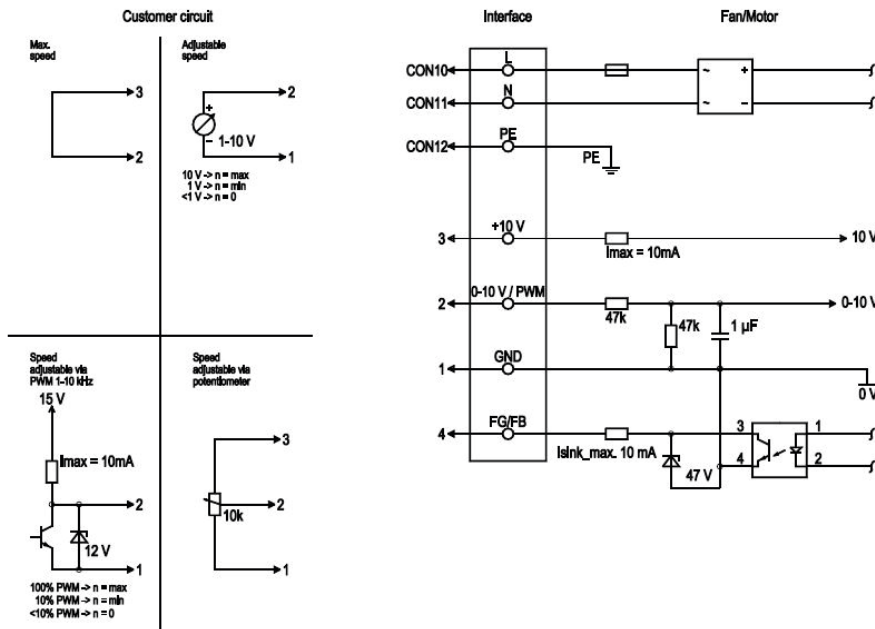


Drawing



1	Direction of air flow "A"
2	Tightening torque $0.5 \pm 0.1$ Nm
3	Cable diameter max. 7.5 mm, tightening torque $1.3 \pm 0.2$ Nm

Connection illustration



No.	Conn.	Designation	Color	Function/assignment
	CON10	L	black	Supply connection, power supply, phase, see nameplate for voltage range
	CON11	N	blue	Supply connection, power supply, neutral conductor, see nameplate for voltage range
	CON12	PE	green/yellow	Ground connection
	2	0- 10V PWM	yellow	0-10 V / PWM control input, Ri=100 kΩ, SELV
	3	+10 V	red	Fixed voltage output 10 VDC +/-3 %, Imax. 10 mA, short-circuit-proof, power supply for ext. devices (e.g. pot), SELV
	1	GND	blue	Reference ground for control interface, SELV
	4	FG/FB	white	Fan good / fan bad: open collector, fan good = high, electrically isolated, Isink max = 10 mA

# W3G300YN0238

EC axial fans

[Back to product overview:](#)



### Material/surface

- Rotor: Galvanized
- Terminal box: PC plastic
- Blades: Press-fitted sheet steel blank, sprayed with PP plastic
- Fan housing: Sheet steel, pre-galvanized and coated with black plastic (RAL 9005)
- Number of blades: 5

### Technical description

- Direction of rotation: Left CCW, seen on rotor
- Protection: IP54
- Isolation: B
- Mounting position: Any
- Bearings: Ball bearings
- Motor protection: Electronic motor protection
- Cable: Variable

### Conformity with standards

- Norm: EN 60335-1; CE

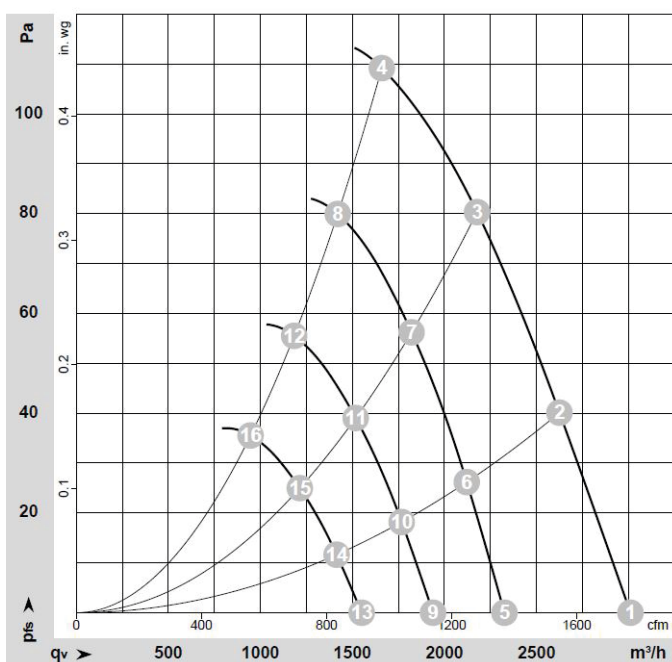
Go to	<a href="#">Pricelist</a>
Go to	<a href="#">Accessories</a>
Link to	<a href="#">ebm-papst operating instructions</a>
More at	<a href="http://www.ebmpapst.nl">www.ebmpapst.nl</a>

Nominal Data	Motor	Voltage	Frequency	Max. Air flow	Speed	Power consumption	Current draw	Capacitor capacity	Sound pressure level	Max. Back pressure	Perm. ambient temp.	Weight
Type	VAC	Hz	m3/h	rpm	W	A	µF/V	dB(A)	Pa	C	kg	
W3G300YN0253	M3G074-CF	230	50/60	1770	2100	165	1,35	-	-	110	-25..+60	5,0

Subject to modification

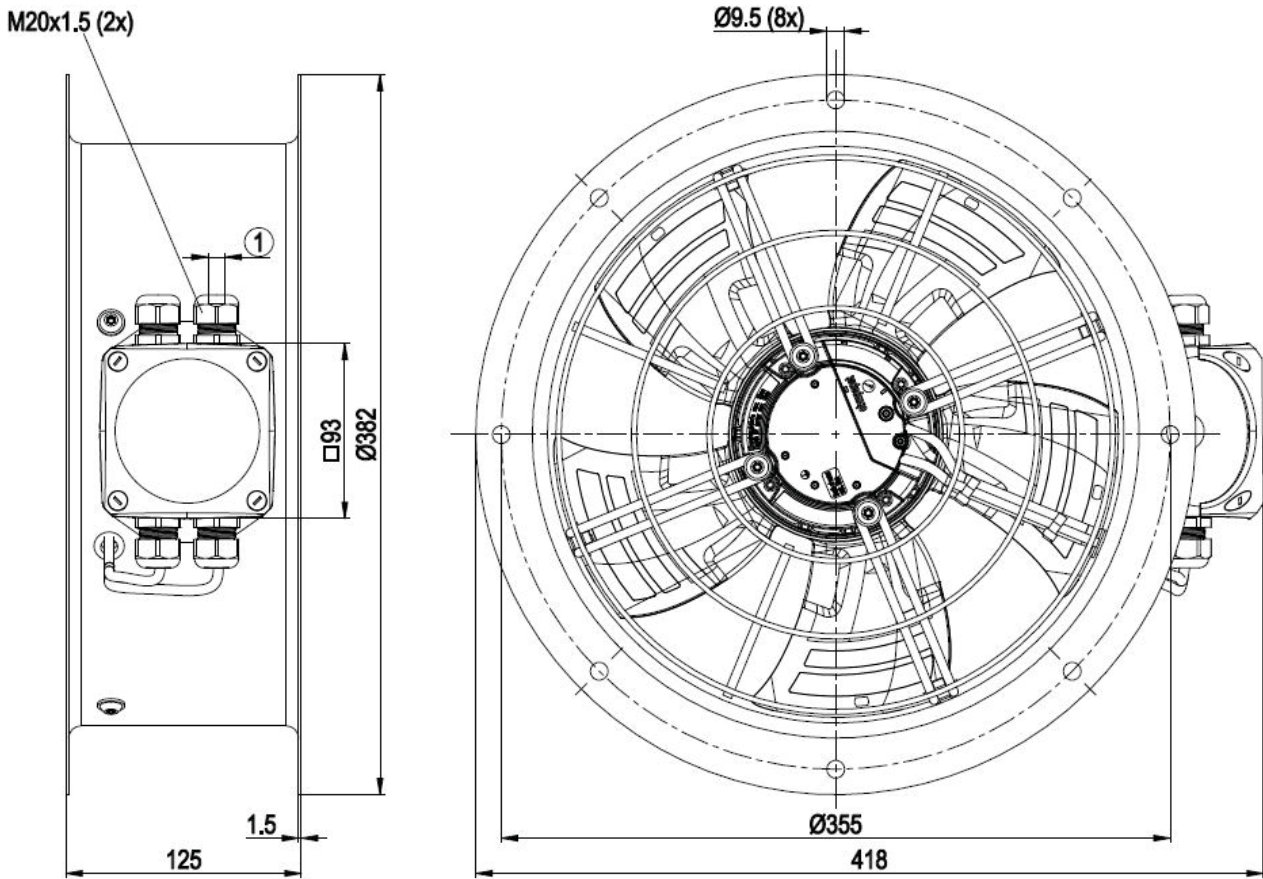
[Pricelist](#)

### Pressure over air flow at 50Hz



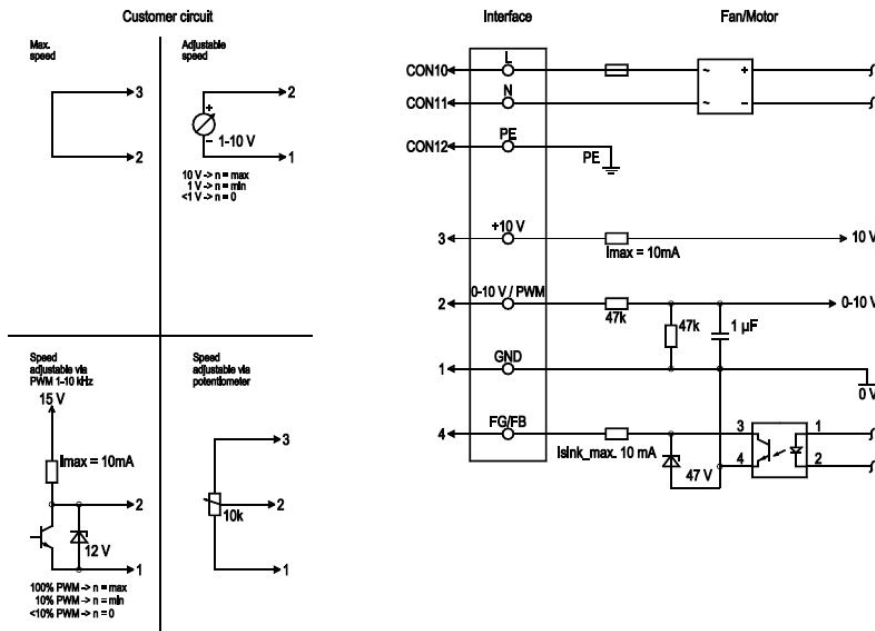


Drawing



1 Cable diameter min. 4 mm, max. 10 mm, tightening torque 2±0.3 Nm

Connection illustration



No.	Conn.	Designation	Color	Function/assignment
	CON10	L	black	Supply connection, power supply, phase, see nameplate for voltage range
	CON11	N	blue	Supply connection, power supply, neutral conductor, see nameplate for voltage range
	CON12	PE	green/yellow	Ground connection
	2	0- 10V PWM	yellow	0-10 V / PWM control input, Ri=100 kΩ, SELV
	3	+10 V	red	Fixed voltage output 10 VDC +/-3 %, I <sub>max</sub> 10 mA, short-circuit-proof, power supply for ext. devices (e.g. pot), SELV
	1	GND	blue	Reference ground for control interface, SELV
	4	FG/FB	white	Fan good / fan bad: open collector, fan good = high, electrically isolated, I <sub>sink</sub> max = 10 mA

# S3G350AN0132

EC axial fans



[Back to product overview:](#)



### Material/surface

- Rotor coated black
- Press-fitted steelplate blades, sprayed with PP
- Steel grill, coated in black plastic
- Number of blades: 5

### Technical description

- Direction of rotation: Left CCW, seen on rotor
- Protection: IP54
- Isolation: B
- Mounting position: Any
- Mode of operation: Continuous (S1)
- Bearings: Ball bearings
- Motor protection: PTC resistor
- Cable: 600 mm

### Conformity with standards

- Norm: EN 60335-1; CE

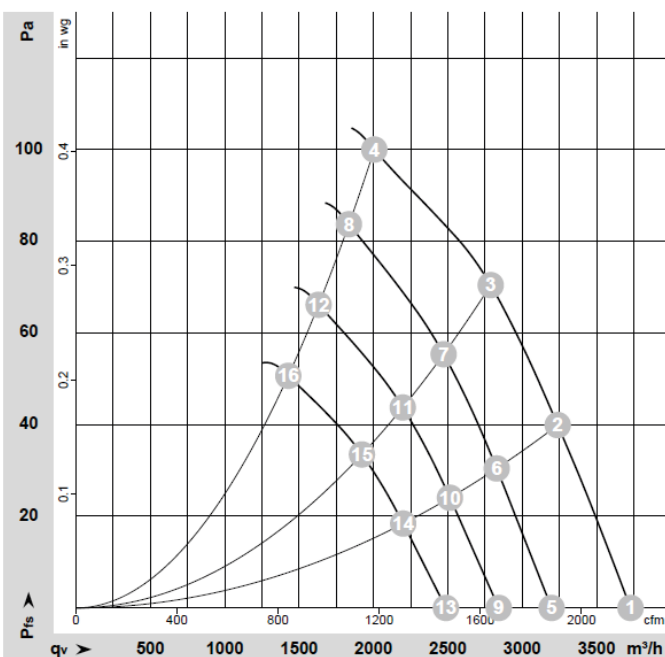
Go to	<a href="#">Pricelist</a>
Go to	<a href="#">Accessories</a>
Link to	<a href="#">ebm-papst operating instructions</a>
More at	<a href="http://www.ebmpapst.nl">www.ebmpapst.nl</a>

Nominal Data	Motor	Voltage	Frequency	Max. Air flow	Speed	Power consumption	Current draw	Capacitor capacity	Sound pressure level	Max. Back pressure	Perm. ambient temp.	Weight
Type	VAC	Hz	m3/h	rpm	W	A	µF/V	dB(A)	Pa	C	kg	
S3G350AN0132	M3G074-CF	230	50/60	3700	1475	165	1,35	-	-	100	-25..+60	3,6

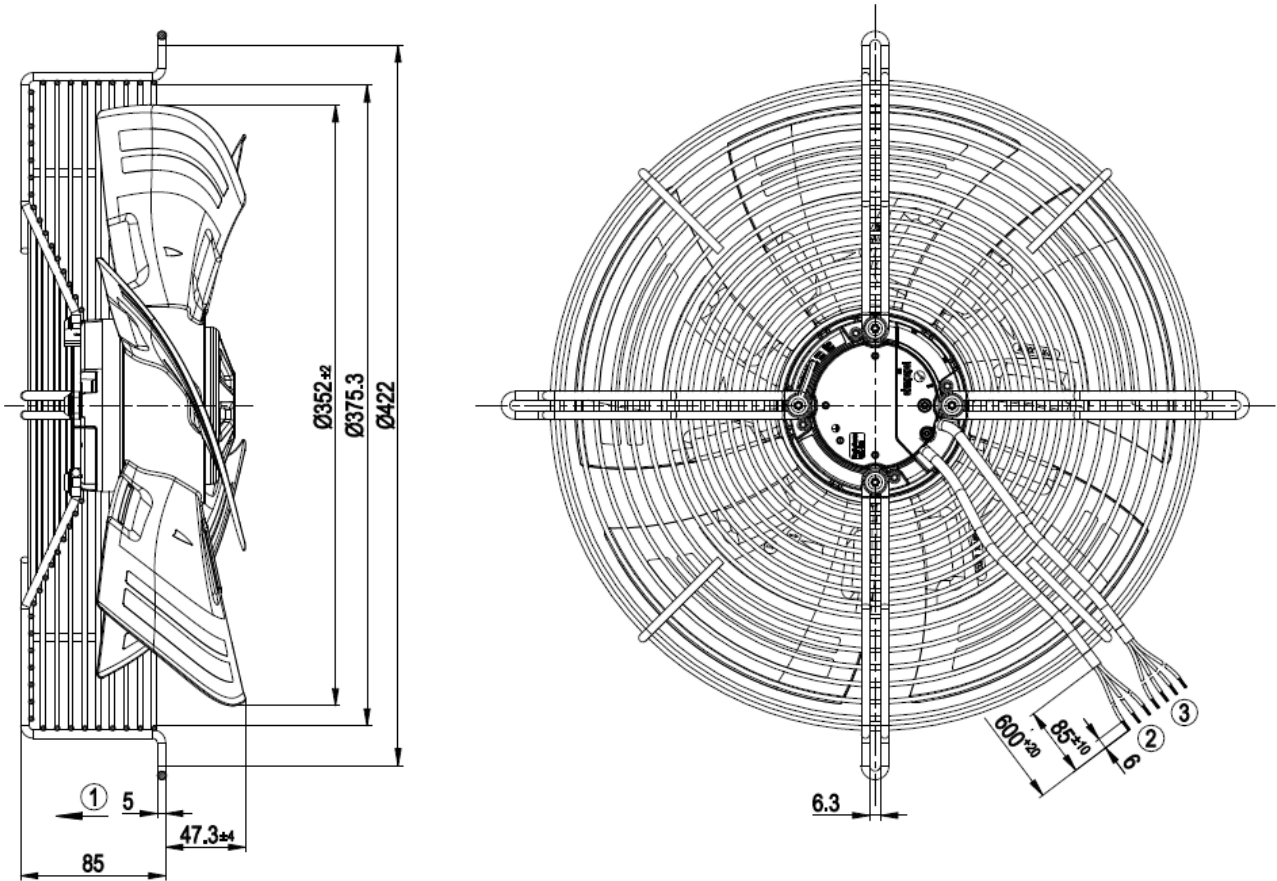
Subject to modification

[Pricelist](#)

### Pressure over air flow at 50Hz

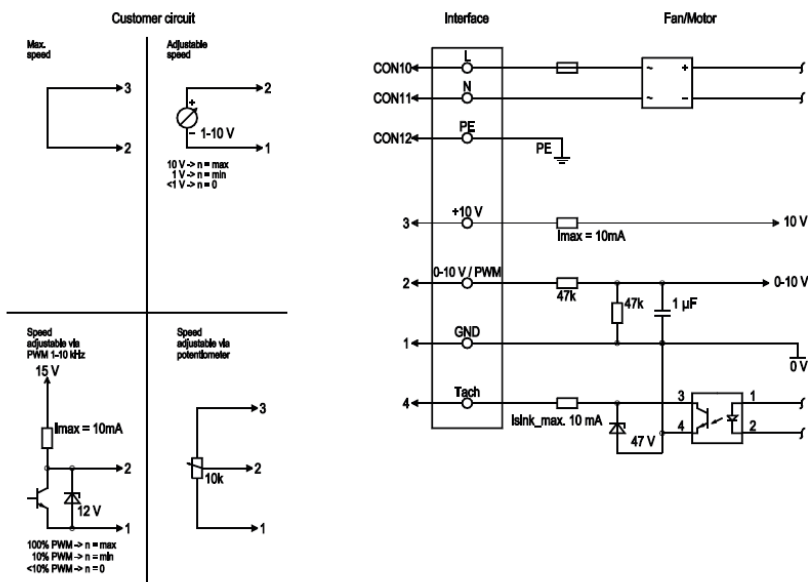


Drawing



1	Direction of air flow "V"
2	Cable PVC 3G AWG20, 3x crimped splices
3	Cable PVC 4x AWG22, 4x crimped splices

Connection illustration



No.	Conn.	Designation	Color	Function/assignment
	CON10	L	black	Supply connection, power supply, phase, see nameplate for voltage range
	CON11	N	blue	Supply connection, power supply, neutral conductor, see nameplate for voltage range
	CON12	PE	green/yellow	Ground connection
	2	0- 10V PWM	yellow	0-10 V / PWM control input, Ri=100 kΩ, SELV
	4	Tach	white	Tach output, open collector, 1 pulse per revolution, Isink max = 10 mA, SELV
	3	+10 V	red	Fixed voltage output 10 VDC +/-3 %, Imax. 10 mA, short-circuit-proof, power supply for ext. devices (e.g. pot), SELV
	1	GND	blue	Reference ground for control interface, SELV

# W3G450DL03H4

EC axial fans



[Back to product overview:](#)



## Material/surface

- Rotor: Painted black
- Terminal box: PP plastic
- Blades: Press-fitted sheet steel blank, sprayed with PP plastic
- Fan housing: Sheet steel, pre-galvanized and coated with black plastic (RAL 9005)
- Number of blades: 5

## Technical description

- Direction of rotation: Right CW, seen on rotor
- Protection: IP55
- Isolation: F
- Mounting position: Shaft horizontal or rotor on top; rotor on bottom on request
- Bearings: Ball bearings
- Motor protection: Thermal overload protector

## Conformity with standards

- Norm: EN 61800-5-1; CE

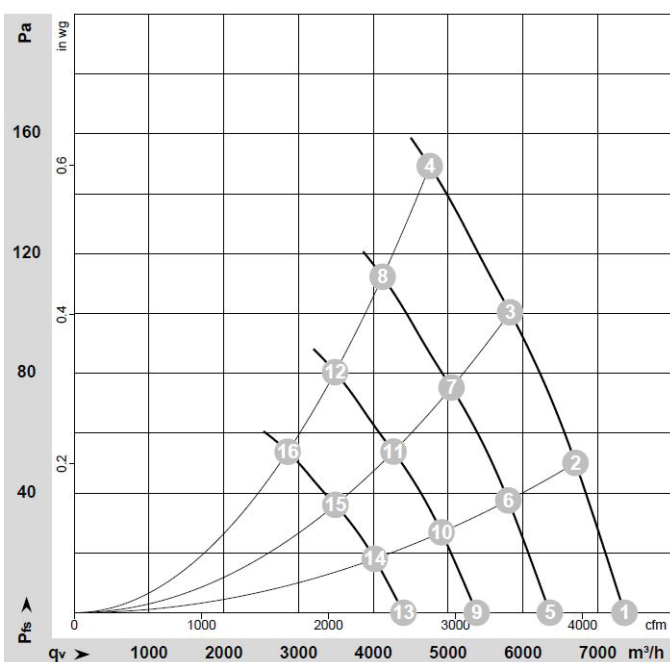
Go to	<a href="#">Pricelist</a>
Go to	<a href="#">Accessories</a>
Link to	<a href="#">ebm-papst operating instructions</a>
More at	<a href="http://www.ebmpapst.nl">www.ebmpapst.nl</a>

Nominal Data	Type	Motor	Voltage	Frequency	Max. Air flow	Speed	Power consumption	Current draw	Capacitor capacity	Sound pressure level	Max. Back pressure	Perm. ambient temp.	Weight
			VAC	Hz	m3/h	rpm	W	A	µF/V	dB(A)	Pa	C	kg
	W3G450DL03H4	M3G084-FA	230	50/60	7355	1500	500	2,2	-	-	150	-25..+60	10,0

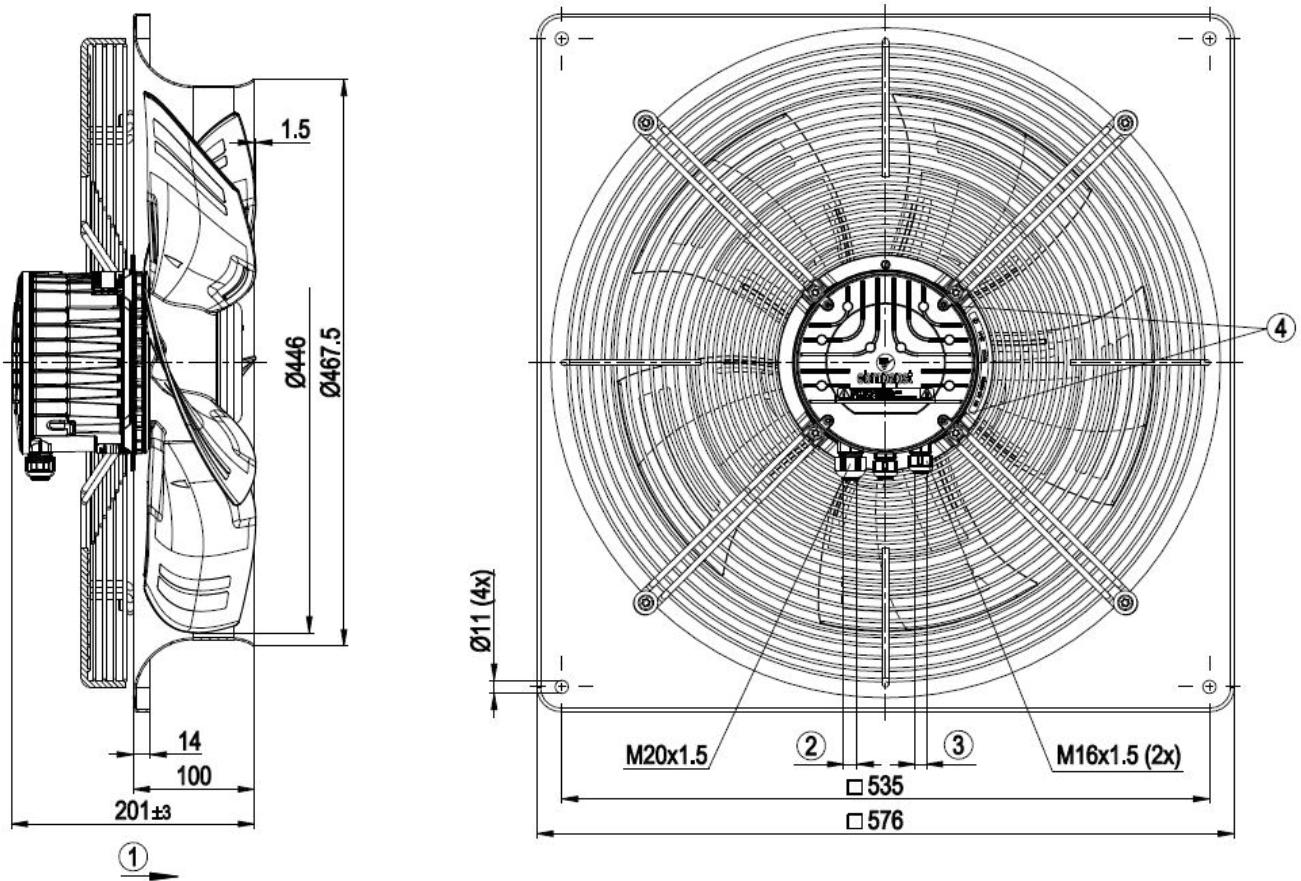
Subject to modification

[Pricelist](#)

## Pressure over air flow at 50Hz

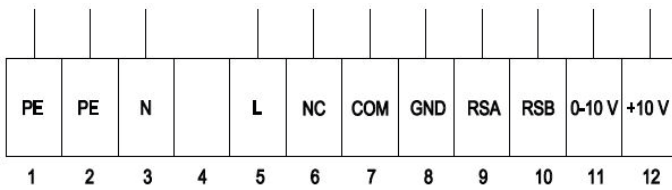


Drawing



1	Direction of air flow "A"
2	Cable diameter min. 8 mm, max. 12 mm, tightening torque 1.8±0.3 Nm (use must be made of seal provided) Cable diameter min. 4 mm, max. 10 mm, tightening torque 1.8±0.3 Nm
3	Cable diameter min. 6 mm, max. 10 mm, tightening torque 1.8±0.3 Nm (use must be made of seal provided) Cable diameter min. 4 mm, max. 7 mm, tightening torque 1.8±0.3 Nm
4	Tightening torque 1.5 ± 0.2 Nm

Connection illustration



No.	Conn.	Designation	Function/assignment
1	PE	PE	Protective earth
2	PE	PE	Protective earth
3	N	N	Power supply, neutral conductor
4	-	-	not used
5	L	L	Power supply, phase
6	NC	NC	Status relay, floating status contact, break for failure, contact rating 250 VAC / 2 A (AC1) / min. 10 mA; basic insulation on supply side and reinforced insulation on control interface side
7	COM	COM	Status relay, floating status contact, common connection, contact rating 250 VAC / 2 A (AC1) / min. 10 mA; basic insulation on supply side and reinforced insulation on control interface side
8	GND	GND	Reference ground for control interface, SELV
9	RSA	RSA	RS485 interface for MODBUS, RSA; SELV
10	RSB	RSB	RS485 interface for MODBUS, RSB; SELV
11	0-10 V	0-10 V	Analog input (set value) SELV, 0-10 V, Ri = 100 kΩ, adjustable curve
12	+10 V	+10 V	Fixed voltage output 10 VDC, SELV, +10 V ±3%, max. 10 mA, short-circuit-proof, power supply for external devices (e.g. pot)

# W3G450IL03H4

EC axial fans

[Back to product overview:](#)



### Material/surface

- Rotor: Painted black
- Electronics housing: Die-cast aluminium
- Blades: PP plastic
- Fan housing: Sheet steel, pre-galvanized and coated with black plastic (RAL 9005)
- Number of blades: 5

### Technical description

- Direction of rotation: Right CW, seen on rotor
- Protection: IP55
- Isolation: F
- Mounting position: Shaft horizontal or rotor on top; rotor on bottom on request
- Bearings: Ball bearings
- Motor protection: Thermal overload protector

### Conformity with standards

- Norm: EN 61800-5-1; CE

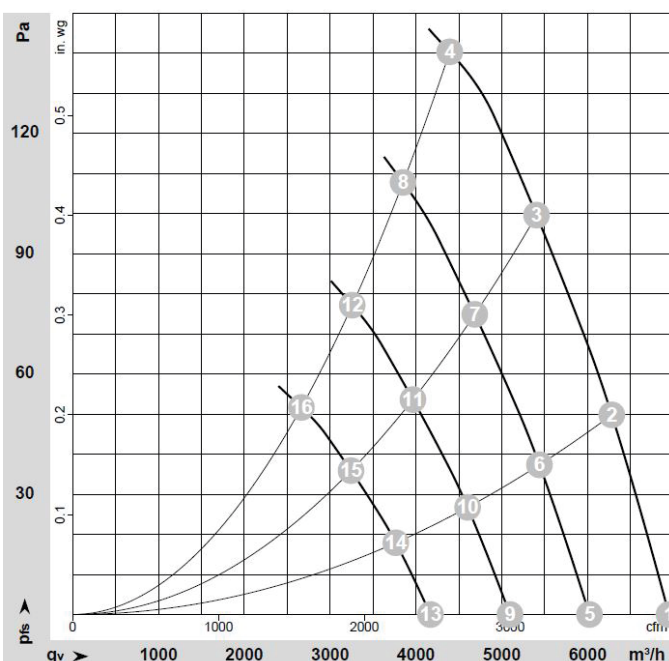
Go to	<a href="#">Pricelist</a>
Go to	<a href="#">Accessories</a>
Link to	<a href="#">ebm-papst operating instructions</a>
More at	<a href="http://www.ebmpapst.nl">www.ebmpapst.nl</a>

Nominal Data	Motor	Voltage	Frequency	Max. Air flow	Speed	Power consumption	Current draw	Capacitor capacity	Sound pressure level	Max. Back pressure	Perm. ambient temp.	Weight
Type	VAC	Hz	m3/h	rpm	W	A	µF/V	dB(A)	Pa	C	kg	
W3G450IL03H4	M3G084-FA	230	50/60	6950	1500	500	2,2	-	-	140	-25..+60	10,0

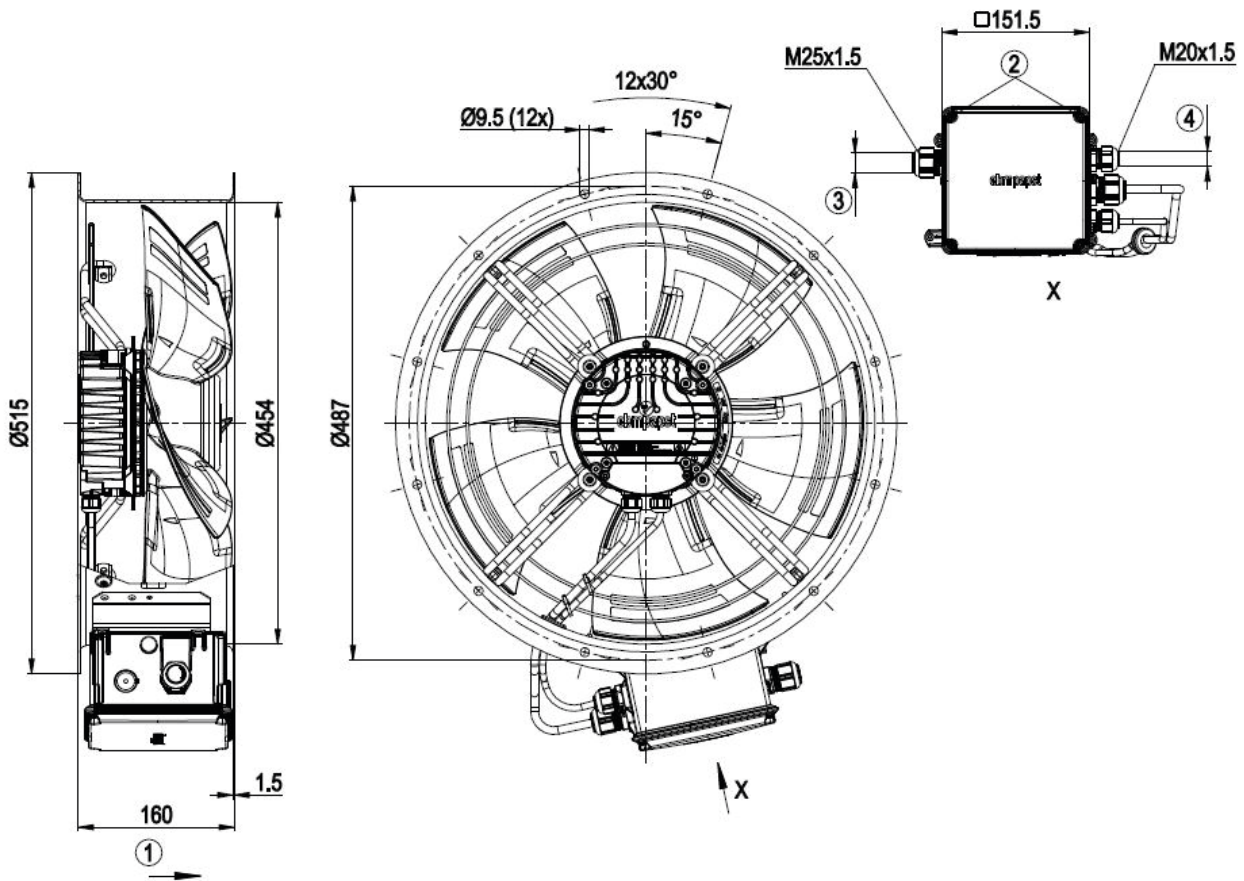
Subject to modification

[Pricelist](#)

### Pressure over air flow at 50Hz

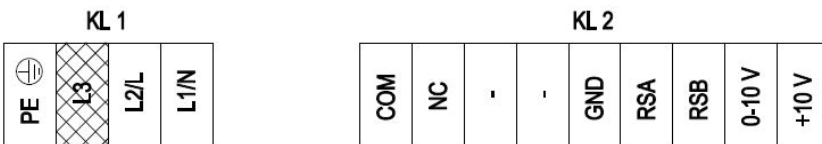


Drawing



1	Direction of air flow "A"
2	Tightening torque $1.8 \pm 0.3$ Nm
3	Cable diameter min. 9 mm, max. 16 mm, tightening torque $2.5 \pm 0.4$ Nm
4	Cable diameter min. 4 mm, max. 10 mm, tightening torque $2.5 \pm 0.4$ Nm

Connection illustration



shaded gray => terminals not used

No.	Conn.	Designation	Color	Function/assignment
1		PE	green/yellow	Protective earth
1		L3	-	not used
1		L2/L	blue	Power supply, phase
1		L1/N	black 1	Power supply, neutral conductor
2		COM	white 2	Status relay, floating status contact, common connection, contact rating 250 VAC / 2 A (AC1) / min. 10 mA; basic insulation on supply side and reinforced insulation on control interface side
2		NC	white 1	Status relay, floating status contact, break for failure, contact rating 250 VAC / 2 A (AC1) / min. 10 mA; basic insulation on supply side and reinforced insulation on control interface side
2		-	-	not used
2		-	-	not used
2		GND	blue	Reference ground for control interface, SELV
2		RSA	white	RS485 interface for MODBUS, RSA, SELV
2		RSB	brown	RS485 interface for MODBUS, RSB, SELV
2		0-10 V	yellow	Analog input (set value) SELV, 0-10 V, $R_i = 100$ k $\Omega$ , adjustable curve
2		+10 V	red	Fixed voltage output 10 VDC, SELV, +10 V $\pm 3\%$ , max. 10 mA, short-circuit-proof, power supply for external devices (e.g. potentiometers)

# W3G500DA7427

EC axial fans

[Back to product overview:](#)



### Material/surface

- Rotor: Painted black
- Electronics housing: Die-cast aluminium
- Blades: Press-fitted sheet steel blank, sprayed with PP plastic
- Fan housing: Sheet steel galvanized and coated with black plastic (RAL 9005)
- Number of blades: 5

### Technical description

- Direction of rotation: Right CW, seen on rotor
- Protection: IP55
- Isolation: F
- Mounting position: Shaft horizontal or rotor on top; rotor on bottom on request
- Bearings: Ball bearings
- Motor protection: Thermal overload protector

### Conformity with standards

- Norm: EN 61800-5-1; CE

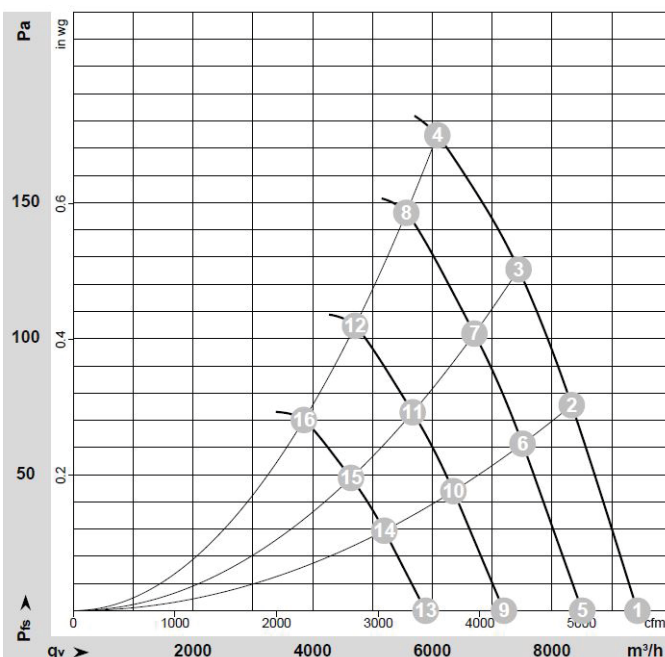
Go to	<a href="#">Pricelist</a>
Go to	<a href="#">Accessories</a>
Link to	<a href="#">ebm-papst operating instructions</a>
More at	<a href="http://www.ebmpapst.nl">www.ebmpapst.nl</a>

Nominal Data	Type	Motor	Voltage	Frequency	Max. Air flow	Speed	Power consumption	Current draw	Capacitor capacity	Sound pressure level	Max. Back pressure	Perm. ambient temp.	Weight
			VAC	Hz	m3/h	rpm	W	A	µF/V	dB(A)	Pa	C	kg
	W3G500DA7427	M3G112-EA	230	50/60	9430	1440	740	3,25	-	-	175	-25..+60	14,4

Subject to modification

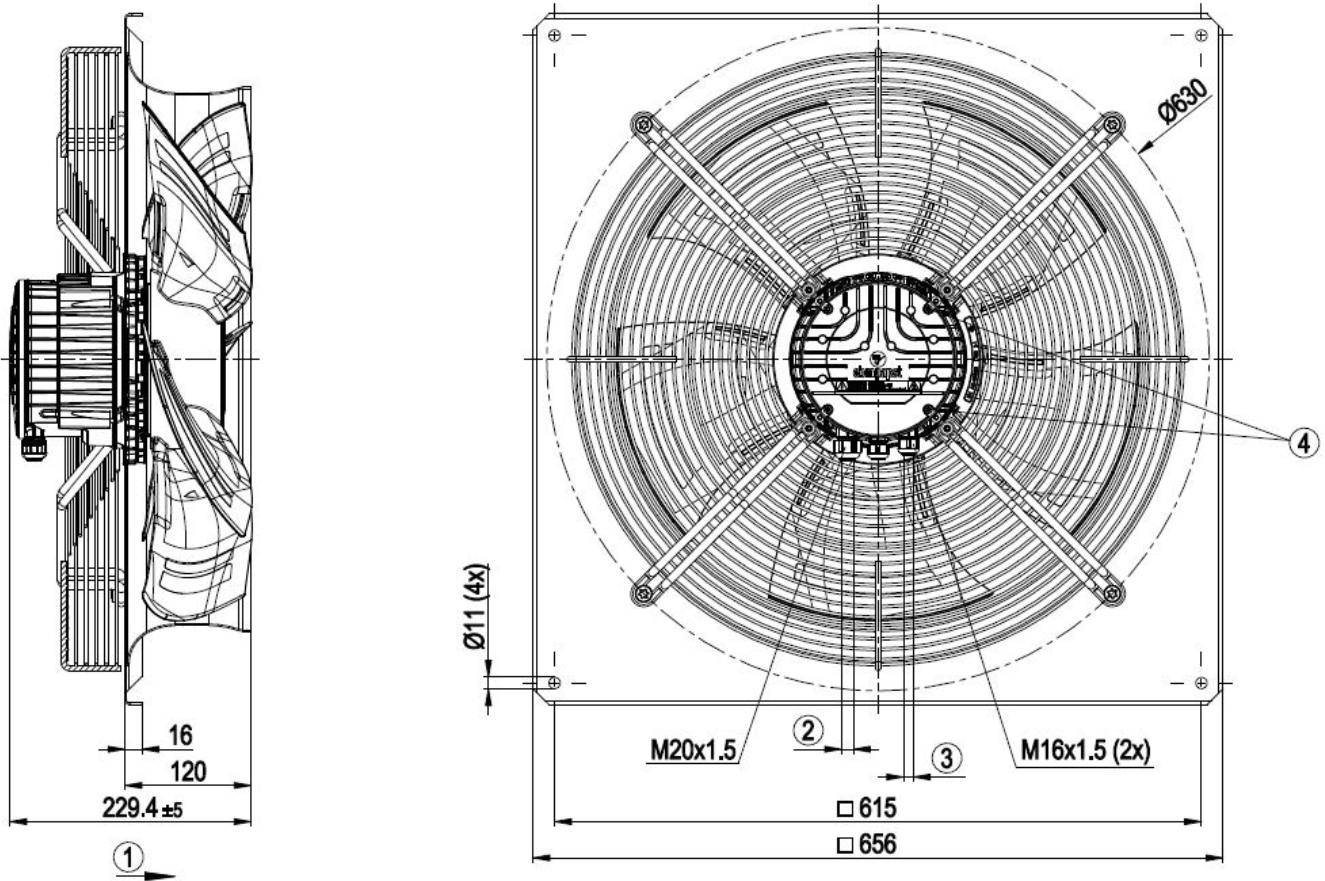
[Pricelist](#)

### Pressure over air flow at 50Hz



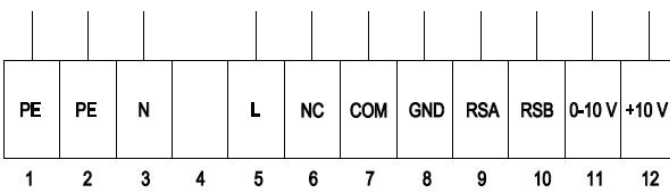


Drawing



1	Direction of air flow "A"
2	Cable diameter min. 8 mm, max. 12 mm, tightening torque 1.8±0.3 Nm (use must be made of seal provided) Cable diameter min. 4 mm, max. 10 mm, tightening torque 1.8±0.3 Nm
3	Cable diameter min. 6 mm, max. 10 mm, tightening torque 1.8±0.3 Nm (use must be made of seal provided) Cable diameter min. 4 mm, max. 7 mm, tightening torque 1.8±0.3 Nm
4	Tightening torque 1.5 ± 0.2 Nm

Connection illustration



No.	Conn.	Designation	Function/assignment
1	PE	PE	Protective earth
2	PE	PE	Protective earth
3	N	N	Power supply, neutral conductor
4	-	-	not used
5	L	L	Power supply, phase
6	NC	NC	Status relay, floating status contact, break for failure, contact rating 250 VAC / 2 A (AC1) / min. 10 mA; basic insulation on supply side and reinforced insulation on control interface side
7	COM	COM	Status relay, floating status contact, common connection, contact rating 250 VAC / 2 A (AC1) / min. 10 mA; basic insulation on supply side and reinforced insulation on control interface side
8	GND	GND	Reference ground for control interface, SELV
9	RSA	RSA	RS485 interface for MODBUS, RSA; SELV
10	RSB	RSB	RS485 interface for MODBUS, RSB; SELV
11	0-10 V	0-10 V	Analog input (set value) SELV, 0-10 V, Ri = 100 kΩ, adjustable curve
12	+10 V	+10 V	Fixed voltage output 10 VDC, SELV, +10 V ±3%, max. 10 mA, short-circuit-proof, power supply for external devices (e.g. pot)

# W3G500IA7427

EC axial fans

[Back to product overview:](#)



### Material/surface

- Rotor: Painted black
- Electronics housing: Die-cast aluminium
- Blades: PP plastic
- Fan housing: Sheet steel galvanized and coated with black plastic (RAL 9005)
- Number of blades: 5

### Technical description

- Direction of rotation: Right CW, seen on rotor
- Protection: IP55
- Isolation: F
- Mounting position: Shaft horizontal or rotor on top; rotor on bottom on request
- Bearings: Ball bearings
- Motor protection: Thermal overload protector

### Conformity with standards

- Norm: EN 61800-5-1; CE

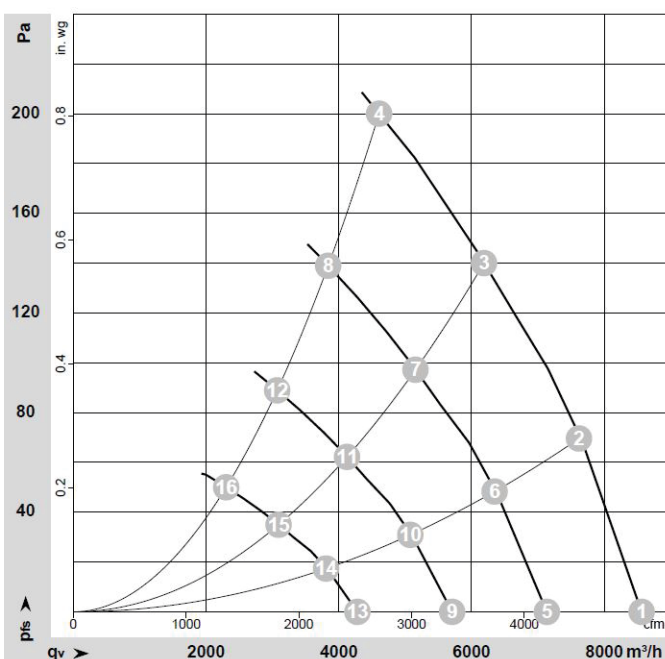
Go to	<a href="#">Pricelist</a>
Go to	<a href="#">Accessories</a>
Link to	<a href="#">ebm-papst operating instructions</a>
More at	<a href="http://www.ebmpapst.nl">www.ebmpapst.nl</a>

Nominal Data	Type	Motor	Voltage	Frequency	Max. Air flow	Speed	Power consumption	Current draw	Capacitor capacity	Sound pressure level	Max. Back pressure	Perm. ambient temp.	Weight
			VAC	Hz	m3/h	rpm	W	A	µF/V	dB(A)	Pa	C	kg
	W3G500IA7427	M3G112-EA	230	50/60	8560	1440	750	3,3	-	-	200	-30..+60	14,4

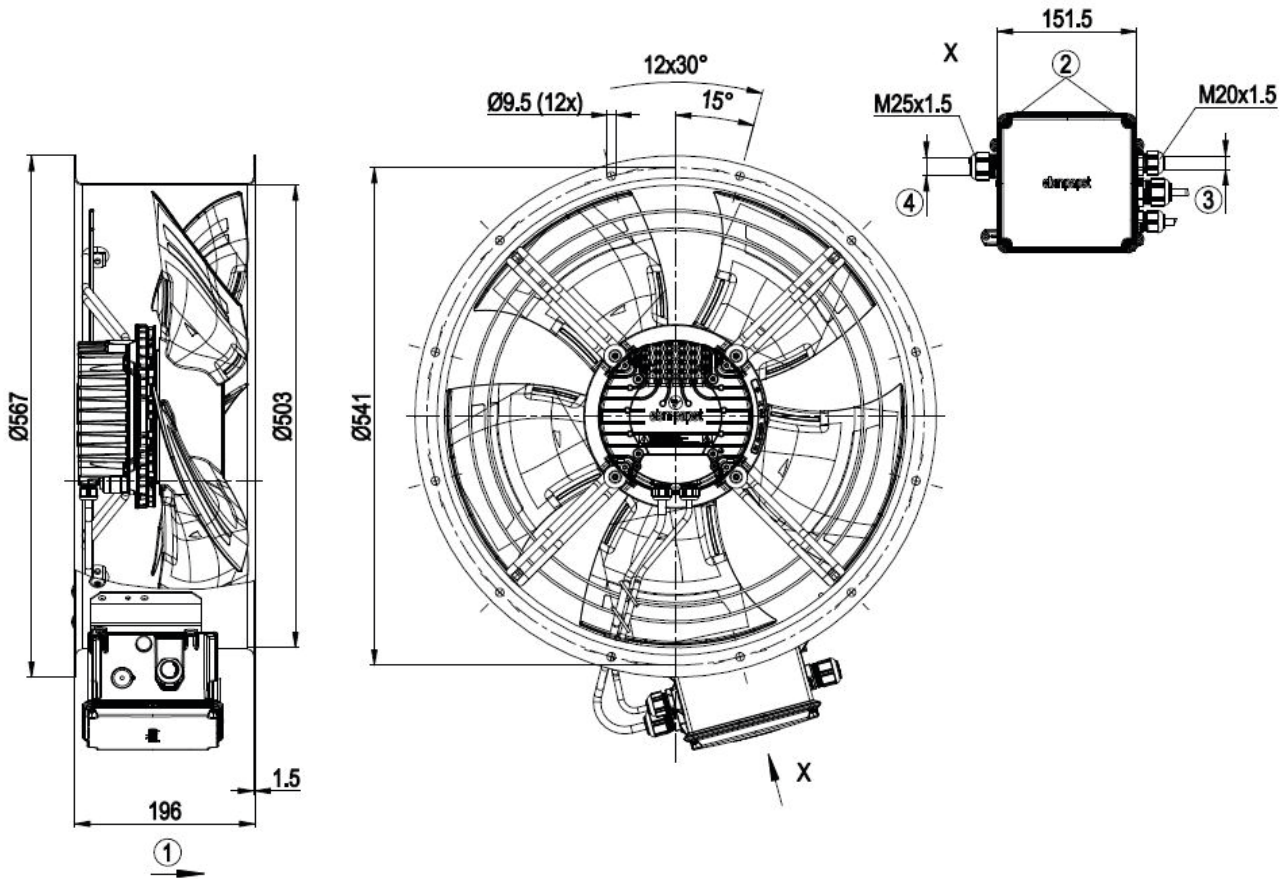
Subject to modification

[Pricelist](#)

### Pressure over air flow at 50Hz

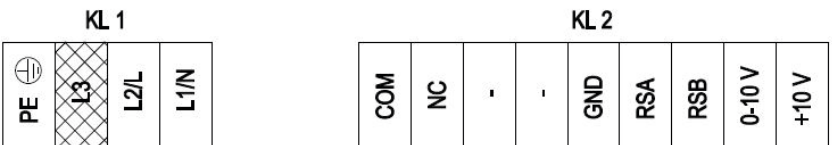


Drawing



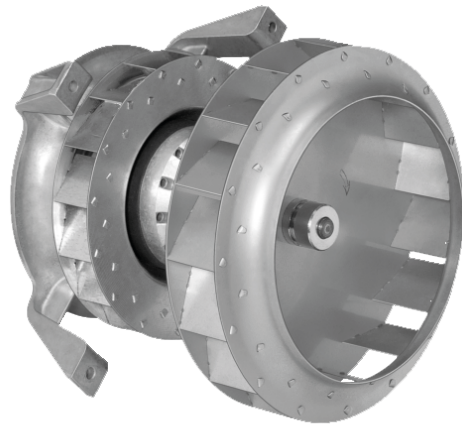
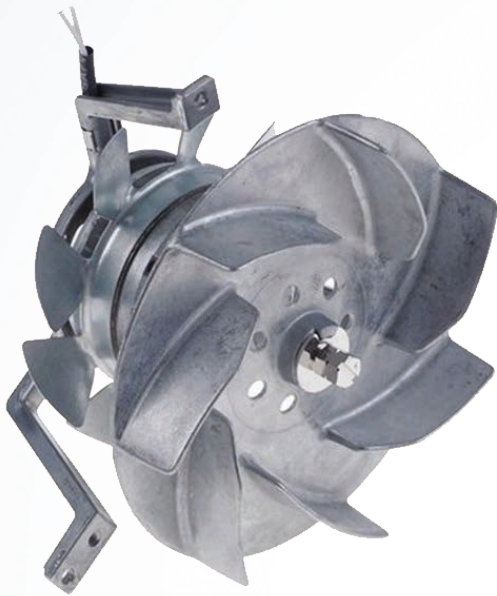
1	Direction of air flow "A"
2	Tightening torque 1.8±0.3 Nm
3	Cable diameter min. 9 mm, max. 16 mm, tightening torque 2.5±0.4 Nm
4	Cable diameter min. 4 mm, max. 10 mm, tightening torque 2.5 ± 0.4 Nm

Connection illustration



shaded gray => terminals not used

No.	Conn.	Designation	Color	Function/assignment
1		PE	green/yellow	Protective earth
1		L3	-	not used
1		L2/L	blue	Power supply, phase
1		L1/N	black 1	Power supply, neutral conductor
2		COM	white 2	Status relay, floating status contact, common connection, contact rating 250 VAC / 2 A (AC1) / min. 10 mA; basic insulation on supply side and reinforced insulation on control interface side
2		NC	white 1	Status relay, floating status contact, break for failure, contact rating 250 VAC / 2 A (AC1) / min. 10 mA; basic insulation on supply side and reinforced insulation on control interface side
2		-	-	not used
2		-	-	not used
2		GND	blue	Reference ground for control interface, SELV
2		RSA	white	RS485 interface for MODBUS, RSA; SELV
2		RSB	brown	RS485 interface for MODBUS, RSB; SELV
2		0-10 V	yellow	Analog input (set value) SELV, 0-10 V, Ri = 100 kΩ, adjustable curve
2		+10 V	red	Fixed voltage output 10 VDC, SELV, +10 V +/-3%, max. 10 mA, short-circuit-proof, power supply for external devices (e.g. potentiometers)



# AC hotair blowers

**ebmpapst**

engineering a better life

# R2S150AA0829

AC hotair blowers

[Back to product overview:](#)



### Material/surface

- Impeller die-cast aluminium
- Number of blades: 7

### Technical description

- Direction of rotation: Clockwise, seen on rotor
- Protection: IP22
- Isolation: F
- Mounting position: Any
- Mode of operation: Continuous (S1)
- Bearings: Ball bearings
- Cable: Lateral, 200 mm

### Conformity with standards

- Norm: EN 60335-1; CE

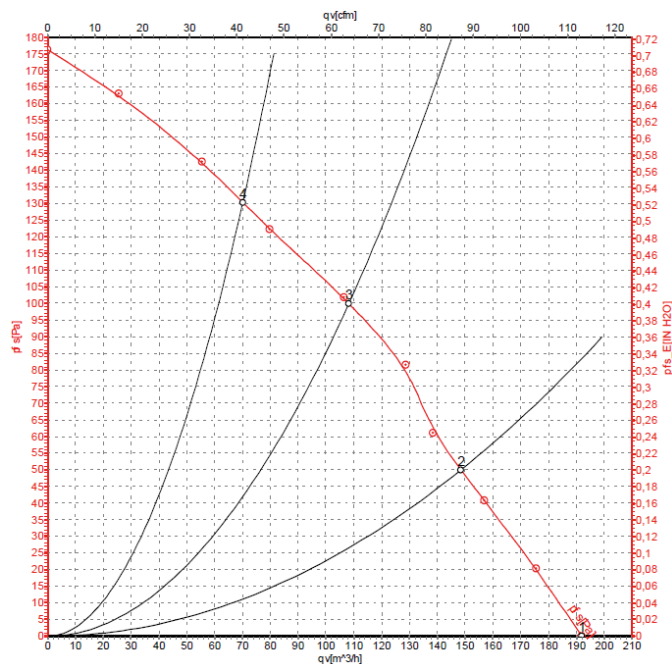
Go to	<a href="#">Pricelist</a>
Go to	<a href="#">Accessories</a>
Link to	<a href="#">ebm-papst operating instructions</a>
More at	<a href="#">www.ebmpapst.nl</a>

Nominal Data	Motor	Voltage	Frequency	Max. Air flow	Speed	Power consumption	Current draw	Capacitor capacity	Sound pressure level	Min. Back pressure	Perm. ambient temp.	Weight
Type	VAC	Hz	m3/h	rpm	W	A	µF/V	dB(A)	Pa	C	kg	
R2S150AA0829	M2S052-EC	230	50	190	2200	43	0,25	-	57	0	-25..+75	0,9

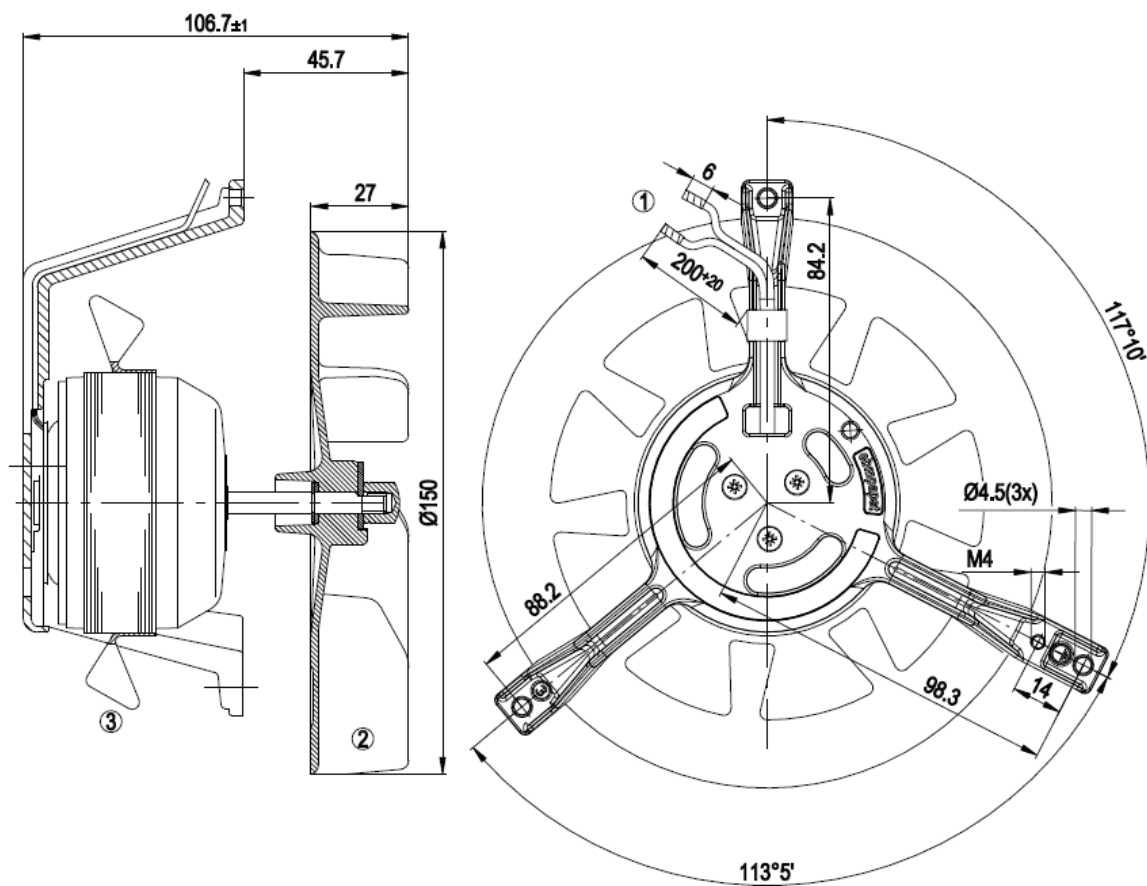
Subject to modification

[Pricelist](#)

### Pressure over air flow at 50Hz

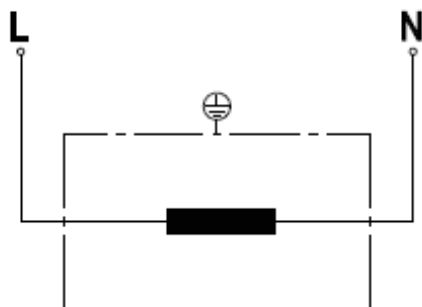


Drawing



- |   |  |
|---|--|
| 1 | Cable Dipotherm 0.5 mm <sup>2</sup> , 2x crimped splices |
| 2 | Centrifugal fan impeller (die-cast aluminum)             |
| 3 | Fan impeller (sheet steel, hot-dip galvanized)           |

Connection illustration



L

white

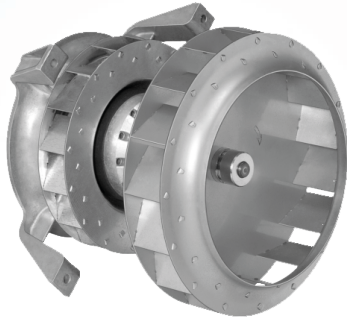
N

white

# R2E180AH0506

AC hotair blowers

[Back to product overview:](#)



### Material/surface

- Rotor unpainted
- Motor mounted with brackets on one side

### Technical description

- Direction of rotation: Counterclockwise, seen on rotor
- Protection: IP20
- Isolation: F
- Mounting position: Shaft horizontal
- Mode of operation: Continuous (S1)
- Bearings: Ball bearings
- Electrical hookup: Via terminal strip
- Cable: Axial

### Conformity with standards

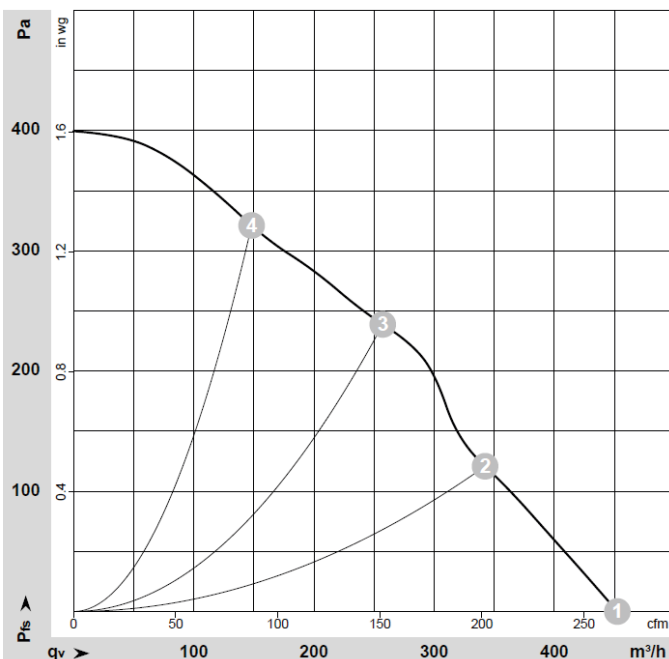
- Norm: CE

Go to	<a href="#">Pricelist</a>
Go to	<a href="#">Accessories</a>
Link to	<a href="#">ebm-papst operating instructions</a>
More at	<a href="http://www.ebmpapst.nl">www.ebmpapst.nl</a>

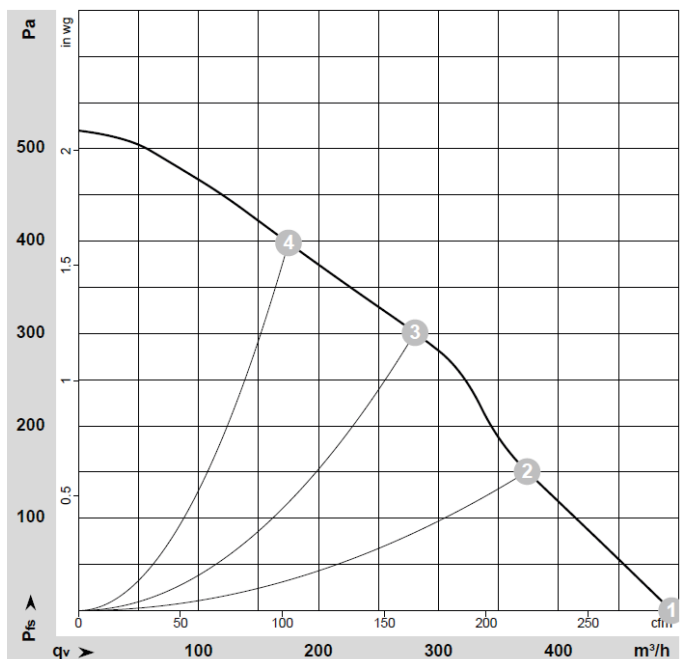
Nominal Data	Motor	Voltage	Frequency	Max. Air flow	Speed	Power consumption	Current draw	Capacitor capacity	Sound pressure level	Min. Back pressure	Perm. ambient temp.	Weight
Type	VAC	Hz	m3/h	rpm	W	A	µF/V	dB(A)	Pa	C	kg	
R2E180AH0506	M2E068-DF	230	50	450	2600	110	0,51	3/400	70	0	-25..+100	3,1
		230	60	495	2850	145	0,63	3/400	72	0	-25..+95	

Subject to modification  
[Pricelist](#) Capacitor [280F00035](#)

Pressure over air flow at 50Hz

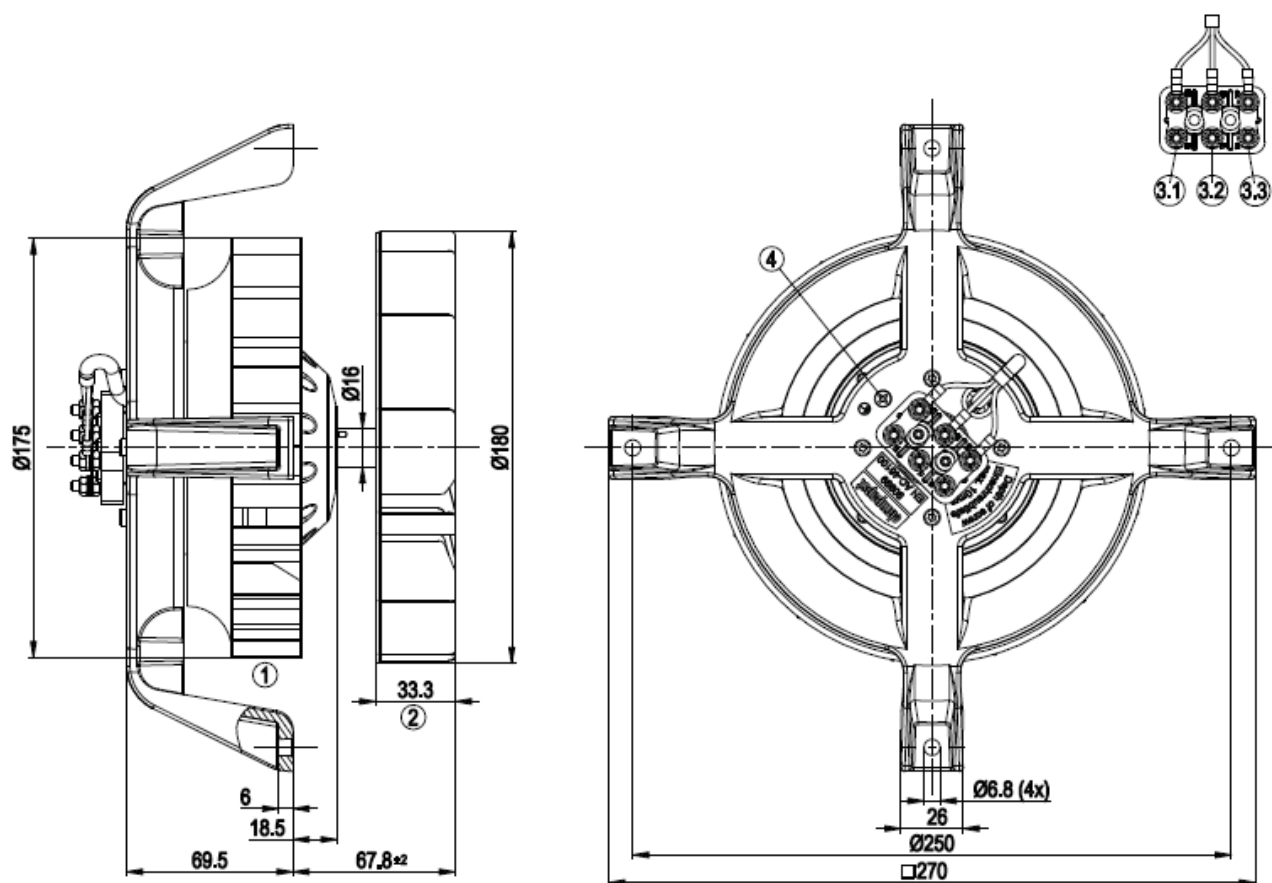


Pressure over air flow at 60Hz



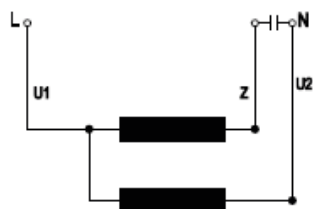


## Drawing



1	Centrifugal fan impeller (sheet steel, galvanized)
2	Centrifugal fan impeller (sheet steel, rust- and acid-resistant)
3.1	L (blue)
3.2	N (black)
3.3	Z (brown)
4	M4 screw for fastening ground connector
	Max. clearance for screw 5 mm

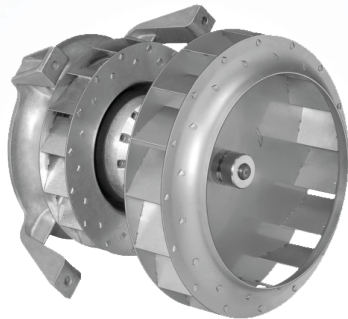
## Connection illustration



U1	blue	U2	black	Z	brown
----	------	----	-------	---	-------

# R2D225AG0210

AC hotair blowers



[Back to product overview:](#)



### Material/surface

- Rotor unpainted
- Motor mounted with brackets on one side

### Technical description

- Direction of rotation: Clockwise, seen on rotor
- Protection: IP20
- Isolation: F
- Mounting position: Shaft horizontal
- Mode of operation: Continuous (S1)
- Bearings: Ball bearings
- Electrical hookup: Via terminal strip
- Cable: Axial

### Conformity with standards

- Norm: CE

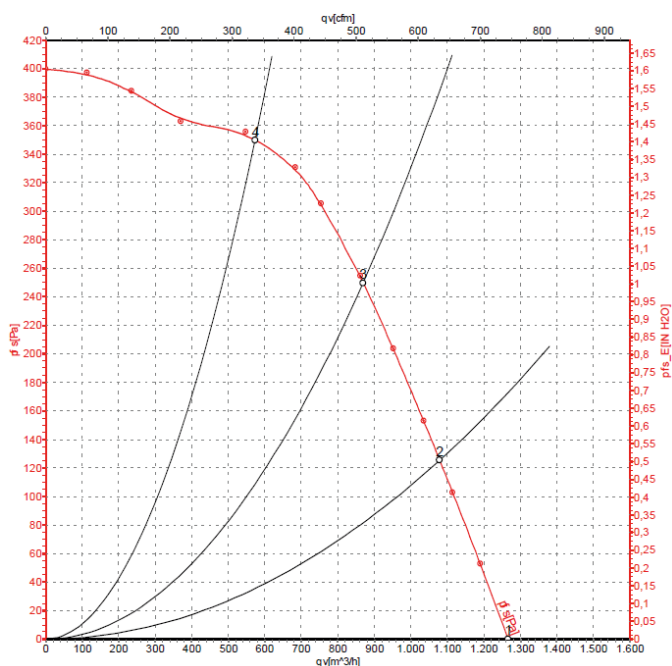
Go to	<a href="#">Pricelist</a>
Go to	<a href="#">Accessories</a>
Link to	<a href="#">ebm-papst operating instructions</a>
More at	<a href="http://www.ebmpapst.nl">www.ebmpapst.nl</a>

Nominal Data	Motor	Voltage	Frequency	Max. Air flow	Speed	Power consumption	Current draw	Capacitor capacity	Sound pressure level	Min. Back pressure	Perm. ambient temp.	Weight
Type	VAC	Hz	m3/h	rpm	W	A	μF/V	dB(A)	Pa	C	kg	
R2D225AG0210	M2D068-EC	230/400	50	1260	2700	165	0,50	-	76	0	-25..+105	4,1
		230/400	60	1390	3000	250	0,67	-	78	0	-25..+75	

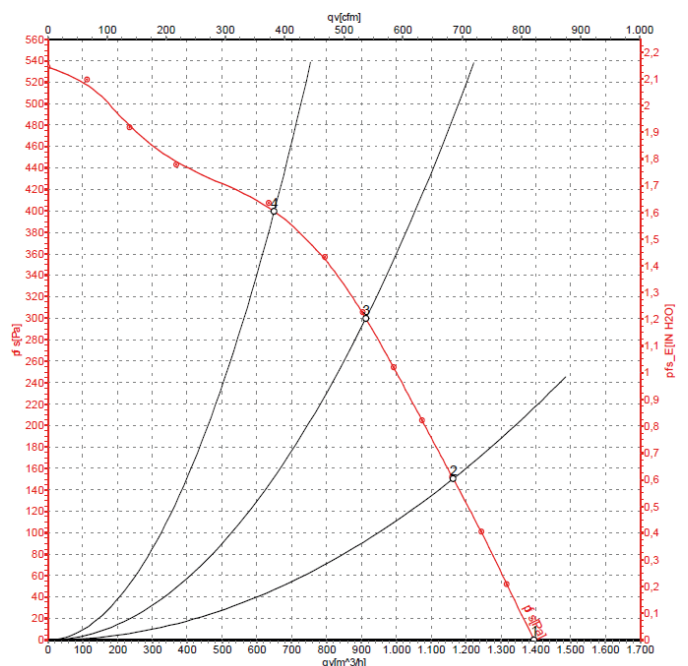
Subject to modification

[Pricelist](#)

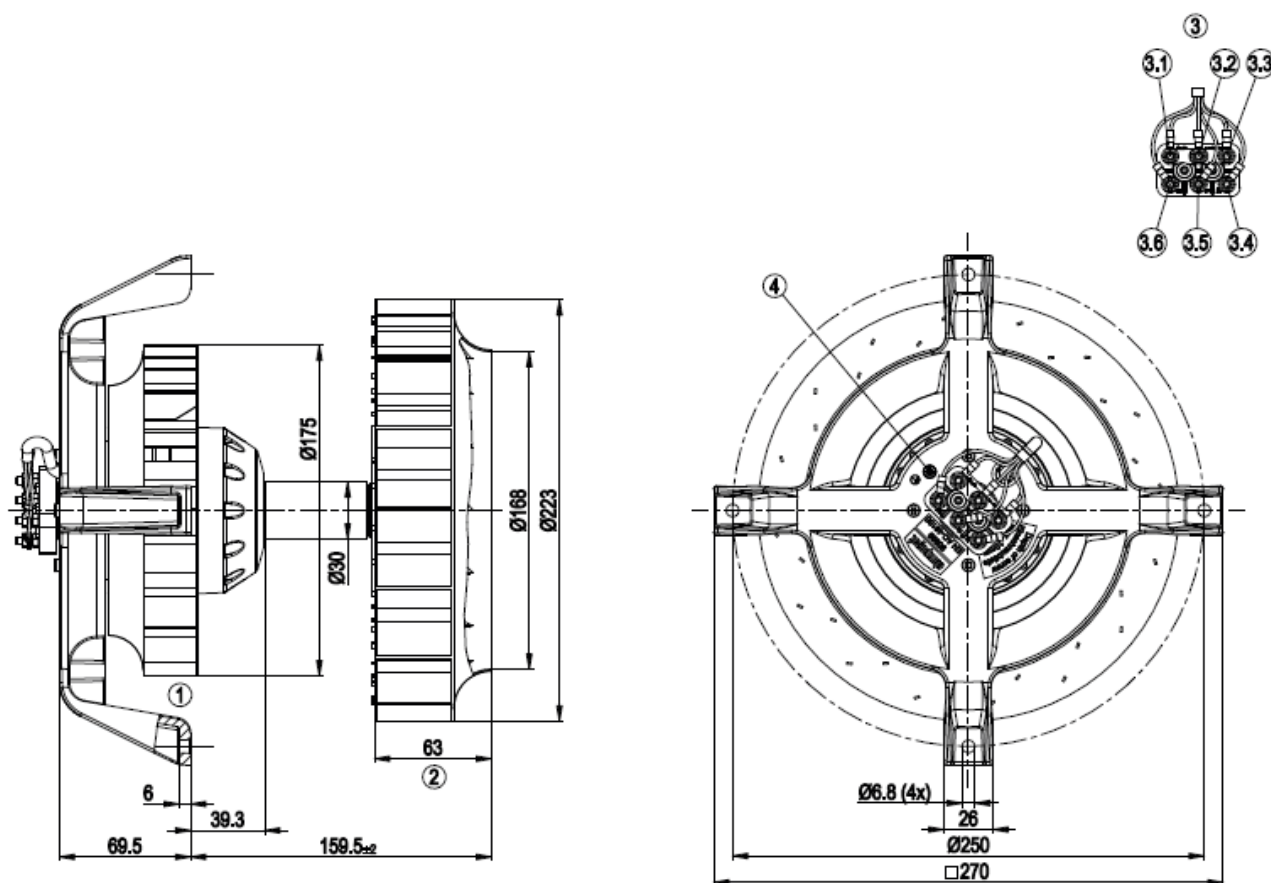
Pressure over air flow at 50Hz



Pressure over air flow at 60Hz

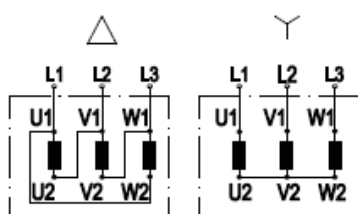


Drawing



1	Centrifugal fan impeller (sheet steel, galvanized)
2	Centrifugal fan impeller (sheet steel, rust- and acid-resistant)
3.1	yellow
3.2	green
3.3	white
3.4	brown
3.5	blue
3.6	black
4	M4 screw for fastening ground connector Max. clearance for screw 5 mm

Connection illustration



Change of rotation direction by reversing two phases

	Three-phase motor	Δ	Delta connection	Y	Star connection
L1	= U1 = black	L2	= V1 = blue	L3	= W1 = brown
U2	green	V2	white	W2	yellow



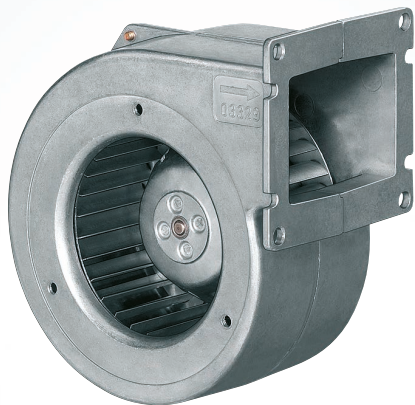
# AC centrifugal fans

**ebmpapst**

engineering a better life

# G2E085AA0101 - Single inlet forward curve

## AC centrifugal fans



[Back to product overview:](#)



### Material/surface

- Rotor: unpainted
- Housing: die-cast aluminium
- Impeller: sheet steel, galvanized

### Technical description

- Direction of rotation: Right CW, seen on rotor
- Protection: IP44
- Isolation: B
- Condensate discharges: None
- Mounting position: Any
- Mode of operation: Continuous (S1)
- Bearings: Ball bearings
- Motor protection: Thermal Overload Protector (TOP) - wired internally
- Cable: Variable, 300 mm

### Conformity with standards

- Norm: EN 60335-1; CE

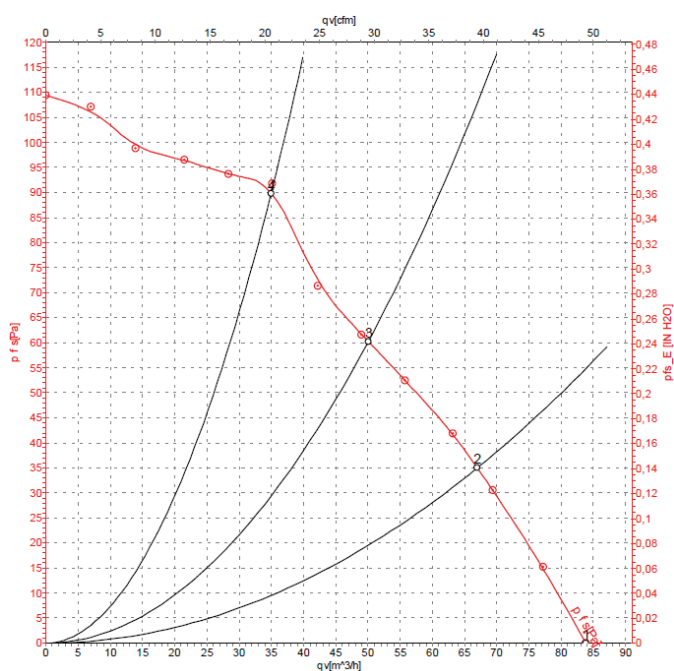
Go to	<a href="#">Pricelist</a>
Go to	<a href="#">Accessories</a>
Link to	<a href="#">ebm-papst operating instructions</a>
More at	<a href="#">www.ebmpapst.nl</a>

Nominal Data		Voltage	Frequency	Max. Air flow	Speed	Power consumption	Current draw	Capacitor capacity	Sound pressure level	Max. Back pressure	Perm. ambient temp.	Weight
Type	Motor	VAC	Hz	m3/h	rpm	W	A	μF/V	dB(A)	Pa	C	kg
G2E085AA0101	M2E042-CA	230	50	85	2350	32	0,15	1/400	53	90	-25..+50	0,9
		230	60	100	2800	30	0,14	1/400	57	140	-25..+70	

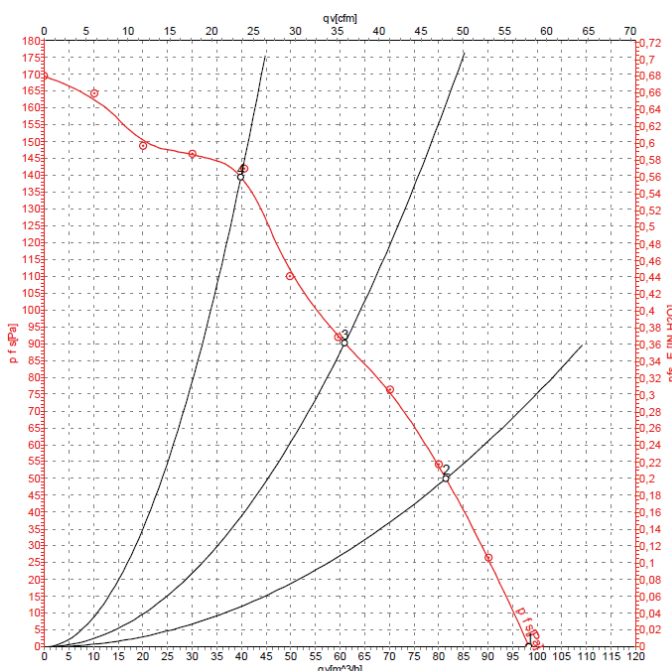
Subject to modification

[Pricelist](#) [Capacitor](#)  
[280F00031](#)

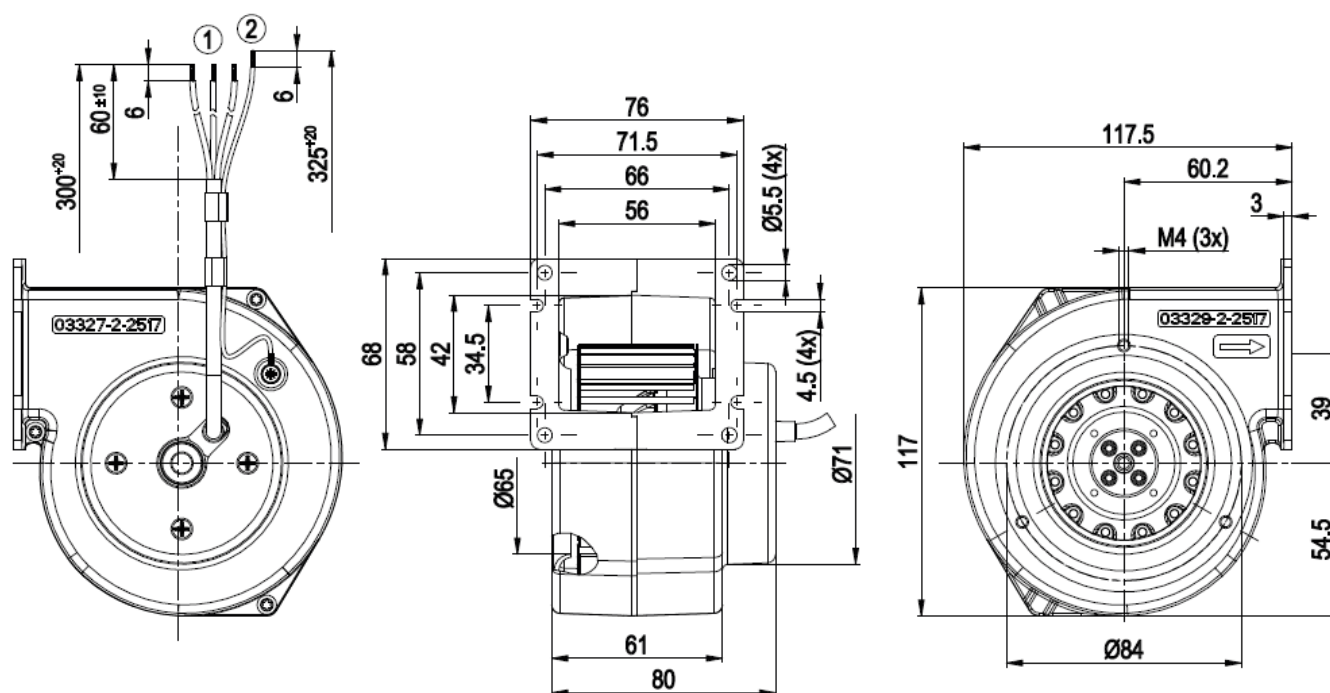
Pressure over air flow at 50Hz



Pressure over air flow at 60Hz

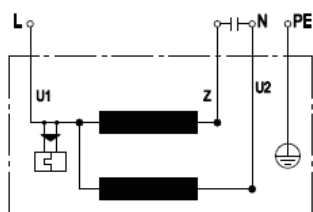


## Drawing



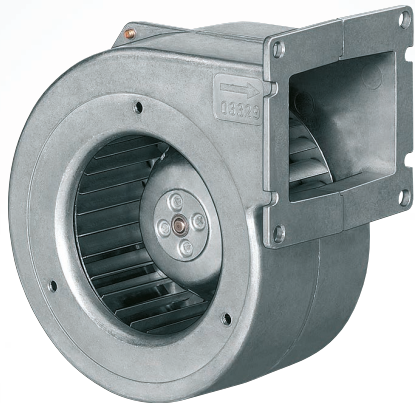
- |   |  |
|---|--|
| 1 | Cable PVC 3x 0.25 mm <sup>2</sup> , 3x crimped splices |
| 2 | Cable AWG20, 1x crimped splice                         |

## Connection illustration



U1	blue	Z	brown	U2	black
PE	green/yellow				

# G2E108AA0101 - Single inlet forward curved AC centrifugal fans



[Back to product overview:](#)



## Material/surface

- Rotor: unpainted
- Housing: die-cast aluminium
- Impeller: sheet steel, hot-dip galvanized

## Technical description

- Direction of rotation: Right CW, seen on rotor
- Protection: IP44
- Isolation: B
- Condensate discharges: None
- Mounting position: Any
- Mode of operation: Continuous (S1)
- Bearings: Ball bearings
- Motor protection: Thermal Overload Protector (TOP) - wired internally
- Cable: Variable, 450 mm

## Conformity with standards

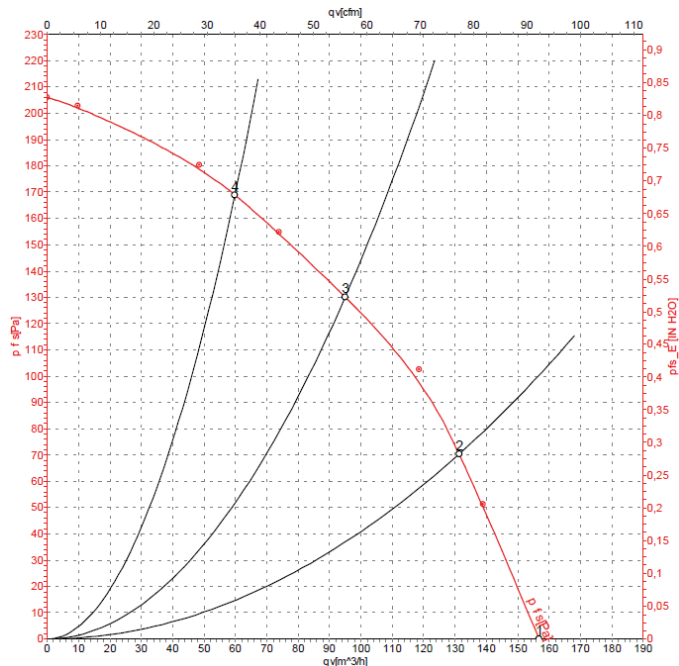
- Norm: EN 60335-1; CE

Go to	<a href="#">Pricelist</a>
Go to	<a href="#">Accessories</a>
Link to	<a href="#">ebm-papst operating instructions</a>
More at	<a href="#">www.ebmpapst.nl</a>

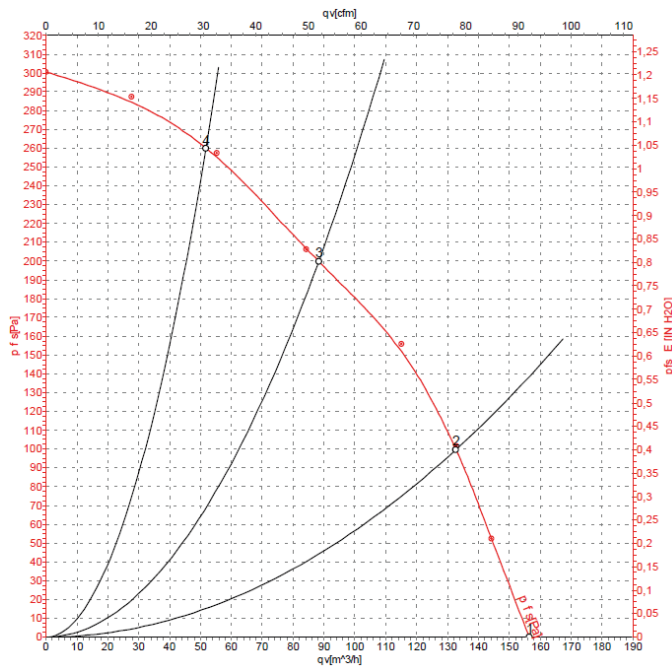
Nominal Data	Type	Motor	Voltage	Frequency	Max. Air flow	Speed	Power consumption	Current draw	Capacitor capacity	Sound pressure level	Max. Back pressure	Perm. ambient temp.	Weight
	G2E108AA0101	M2E042-CA	230	50	155	1650	41	0,19	1,5/400	54	170	-25..+55	1,3
			230	60	155	1650	44	0,20	1,5/400	54	260	-25..+55	

Subject to modification [Pricelist](#) Capacitor [280F00032](#)

Pressure over air flow at 50Hz

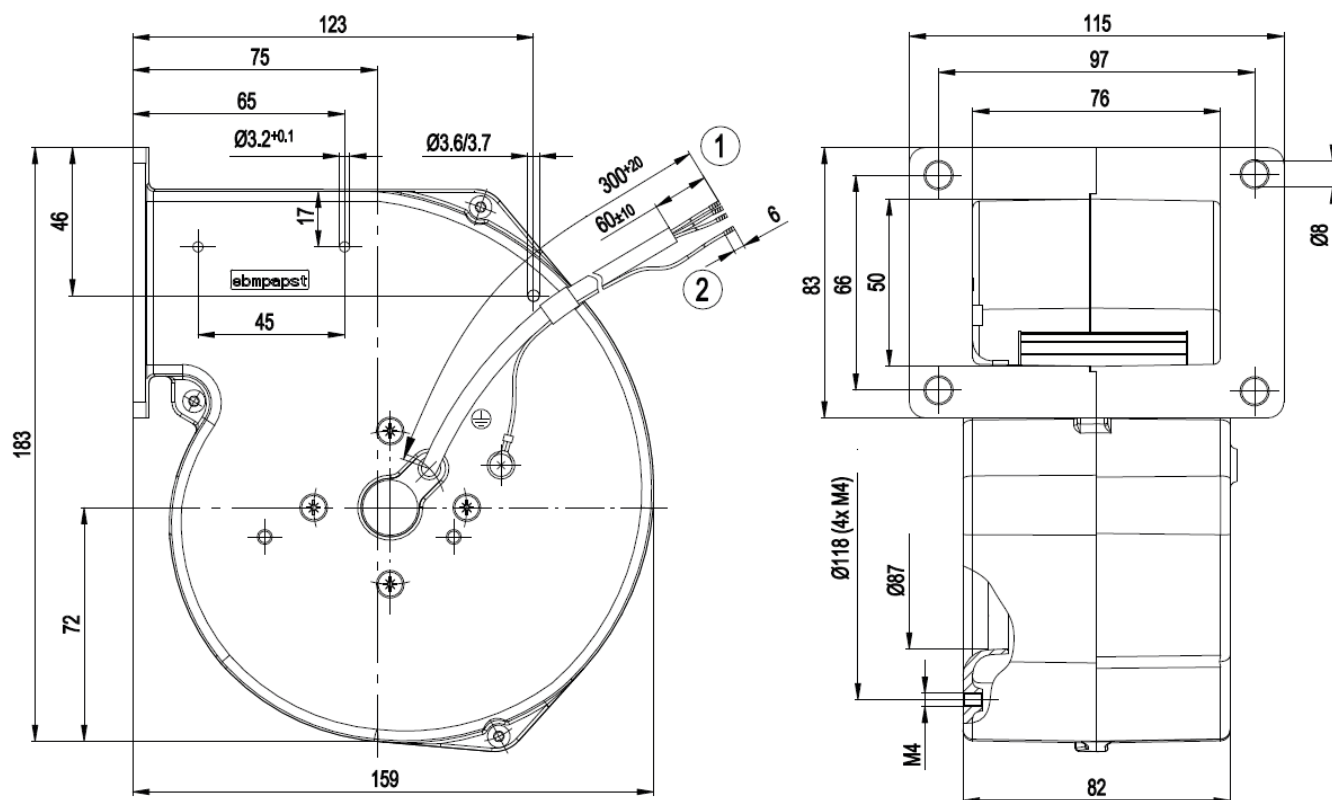


Pressure over air flow at 60Hz



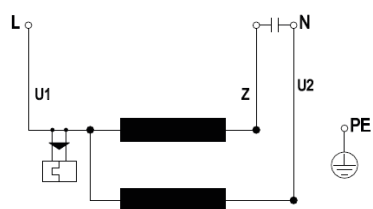


Drawing



- |   |                                |
|---|--------------------------------|
| 1 | Cable PVC, 3x crimped splices  |
| 2 | Cable AWG20, 1x crimped splice |

Connection illustration



U1	blue	Z	brown	U2	black
PE	green/yellow				

# G2E120AR7701 - Single inlet forward curved

## AC centrifugal fans



[Back to product overview:](#)



### Material/surface

- Rotor: unpainted
- Housing: die-cast aluminium
- Impeller: sheet steel, galvanized

### Technical description

- Direction of rotation: Right CW, seen on rotor
- Protection: IP44
- Isolation: B
- Condensate discharges: None
- Mounting position: Shaft horizontal
- Mode of operation: Continuous (S1)
- Bearings: Ball bearings
- Motor protection: Thermal Overload Protector (TOP) - wired internally
- Cable: Variable, 450 mm

### Conformity with standards

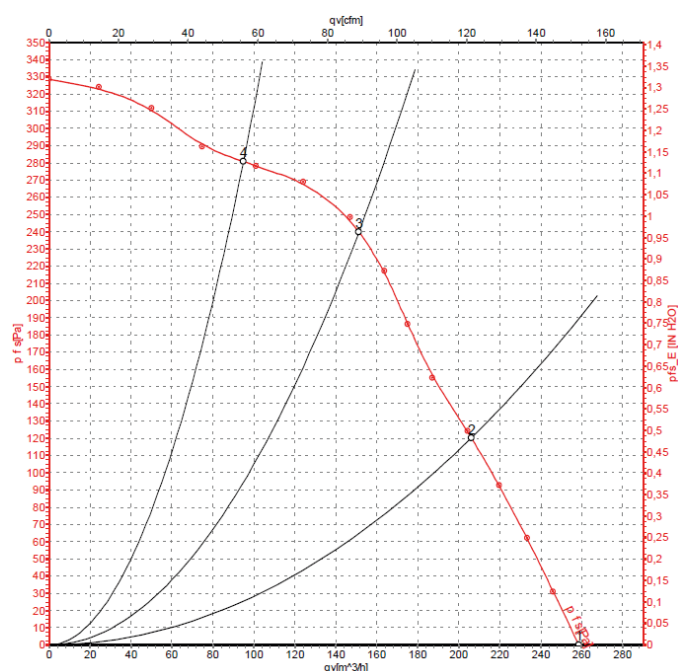
- Norm: EN 60335-1; CE

Go to	<a href="#">Pricelist</a>
Go to	<a href="#">Accessories</a>
Link to	<a href="#">ebm-papst operating instructions</a>
More at	<a href="http://www.ebmpapst.nl">www.ebmpapst.nl</a>

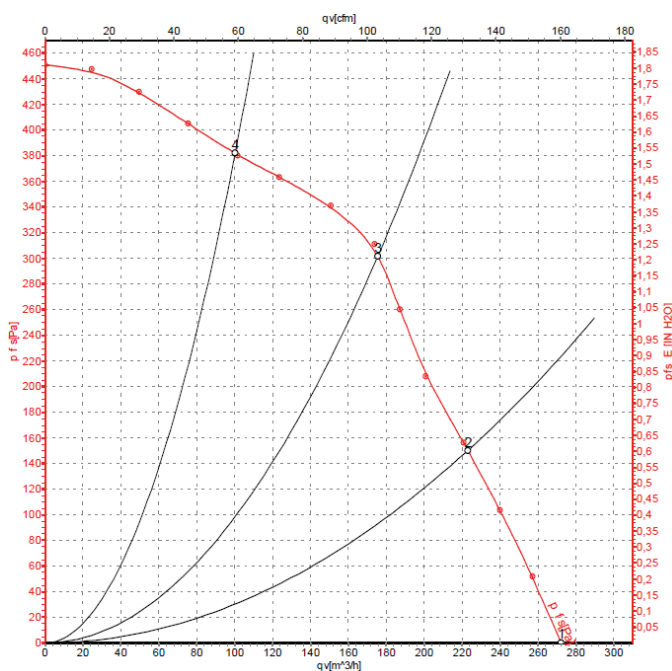
Nominal Data	Motor	Voltage	Frequency	Max. Air flow	Speed	Power consumption	Current draw	Capacitor capacity	Sound pressure level	Max. Back pressure	Perm. ambient temp.	Weight
Type	VAC	Hz	m3/h	rpm	W	A	μF/V	dB(A)	Pa	C	kg	
G2E120AR7701	M2E068-BF	230	50	260	2350	80	0,35	2/450	61	280	-25..+45	2,0
		230	60	270	2450	100	0,44	2/450	62	380	-25..+55	

Subject to modification [Capacitor](#)  
[Pricelist](#) [280F00033](#)

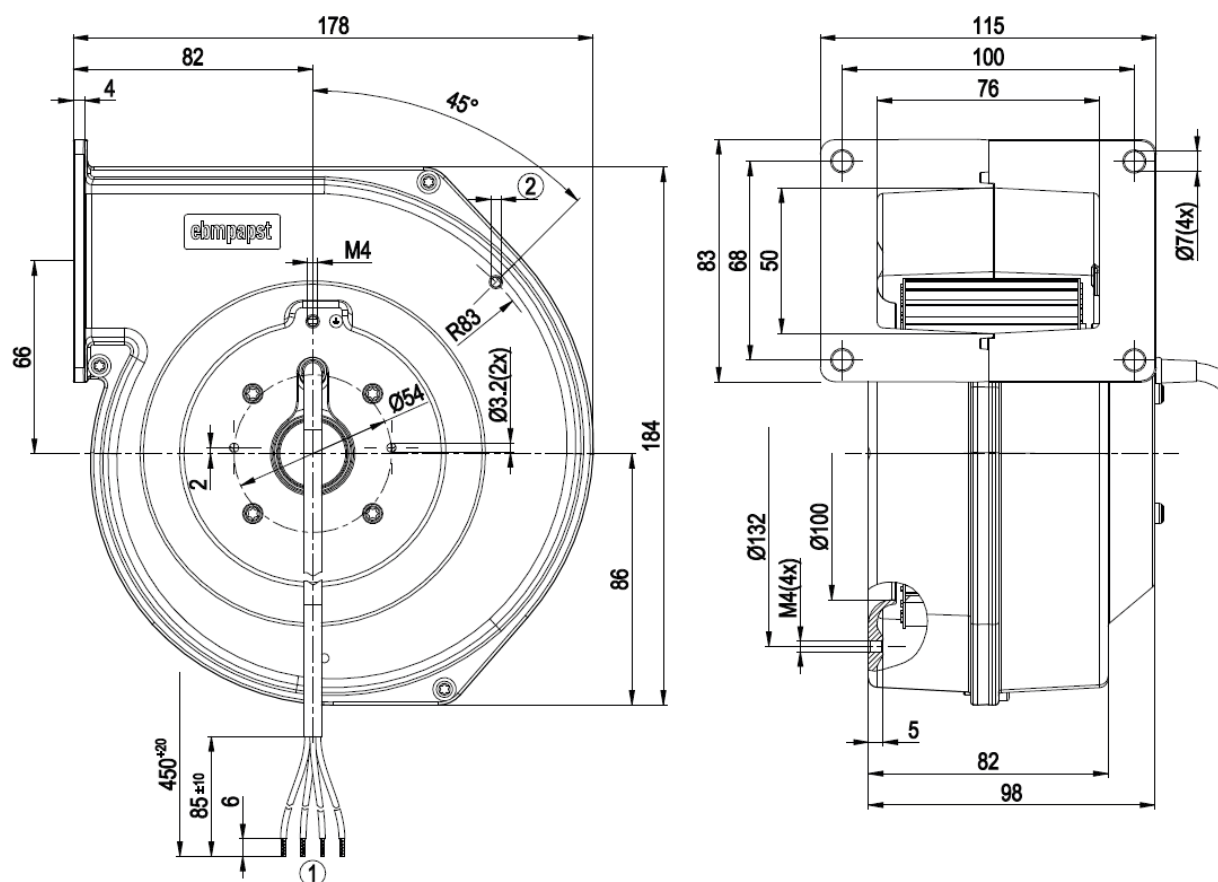
Pressure over air flow at 50Hz



Pressure over air flow at 60Hz

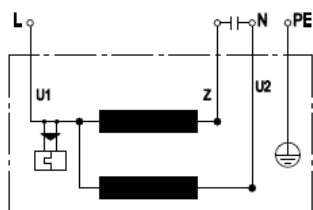


## Drawing



- |   |  |
|---|--|
| 1 | Cable PVC, 4x crimped splices                |
| 2 | Tapping hole ready for self-tapping M4 screw |

## Connection illustration



- |    |              |   |       |    |       |
|----|--------------|---|-------|----|-------|
| U1 | blue         | Z | brown | U2 | black |
| PE | green/yellow |   |       |    |       |

# G2E140AE7701 - Single inlet forward curved AC centrifugal fans



[Back to product overview:](#)



## Material/surface

- Rotor: unpainted
- Housing: die-cast aluminium
- Impeller: sheet steel, galvanized

## Technical description

- Direction of rotation: Right CW, seen on rotor
- Protection: IP44
- Isolation: B
- Condensate discharges: None
- Mounting position: Any
- Mode of operation: Continuous (S1)
- Bearings: Ball bearings
- Motor protection: Thermal Overload Protector (TOP) - wired internally
- Cable: Variable, 450 mm

## Conformity with standards

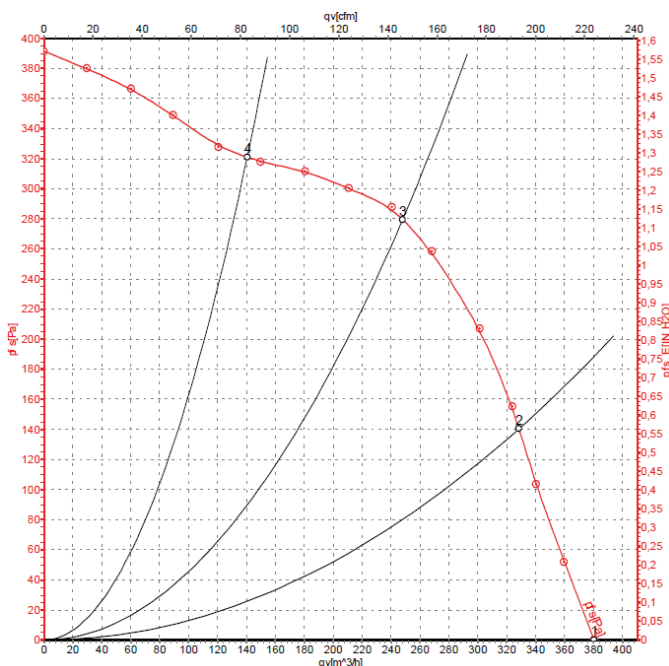
- Norm: EN 60335-1; CE

Go to	<a href="#">Pricelist</a>
Go to	<a href="#">Accessories</a>
Link to	<a href="#">ebm-papst operating instructions</a>
More at	<a href="#">www.ebmpapst.nl</a>

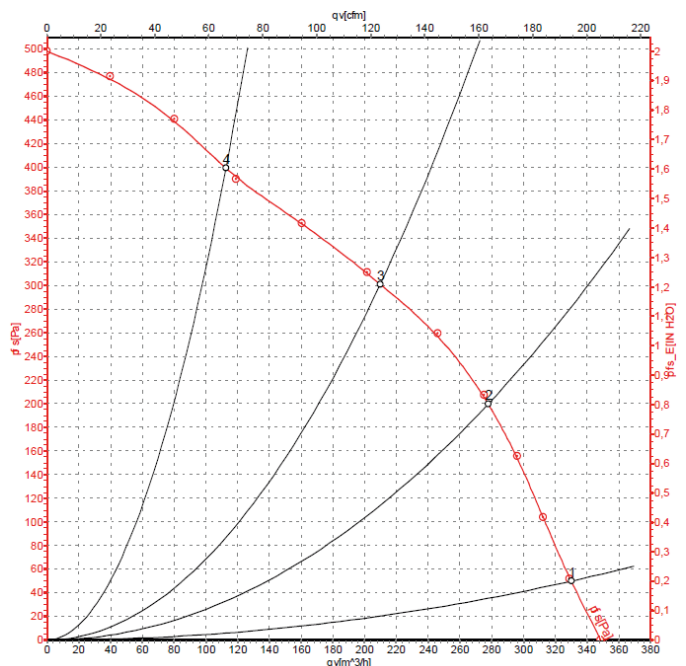
Nominal Data	Motor	Voltage	Frequency	Max. Air flow	Speed	Power consumption	Current draw	Capacitor capacity	Sound pressure level	Max. Back pressure	Perm. ambient temp.	Weight
Type	VAC	Hz	m3/h	rpm	W	A	µF/V	dB(A)	Pa	C	kg	
G2E140AE7701	M2E068-BF	230	50	380	1400	105	0,47	2/400	59	320	-25..+40	2,6
		230	60	330	1500	115	0,48	2/400	57	400	-25..+35	

Subject to modification [Capacitor 280F00033](#)

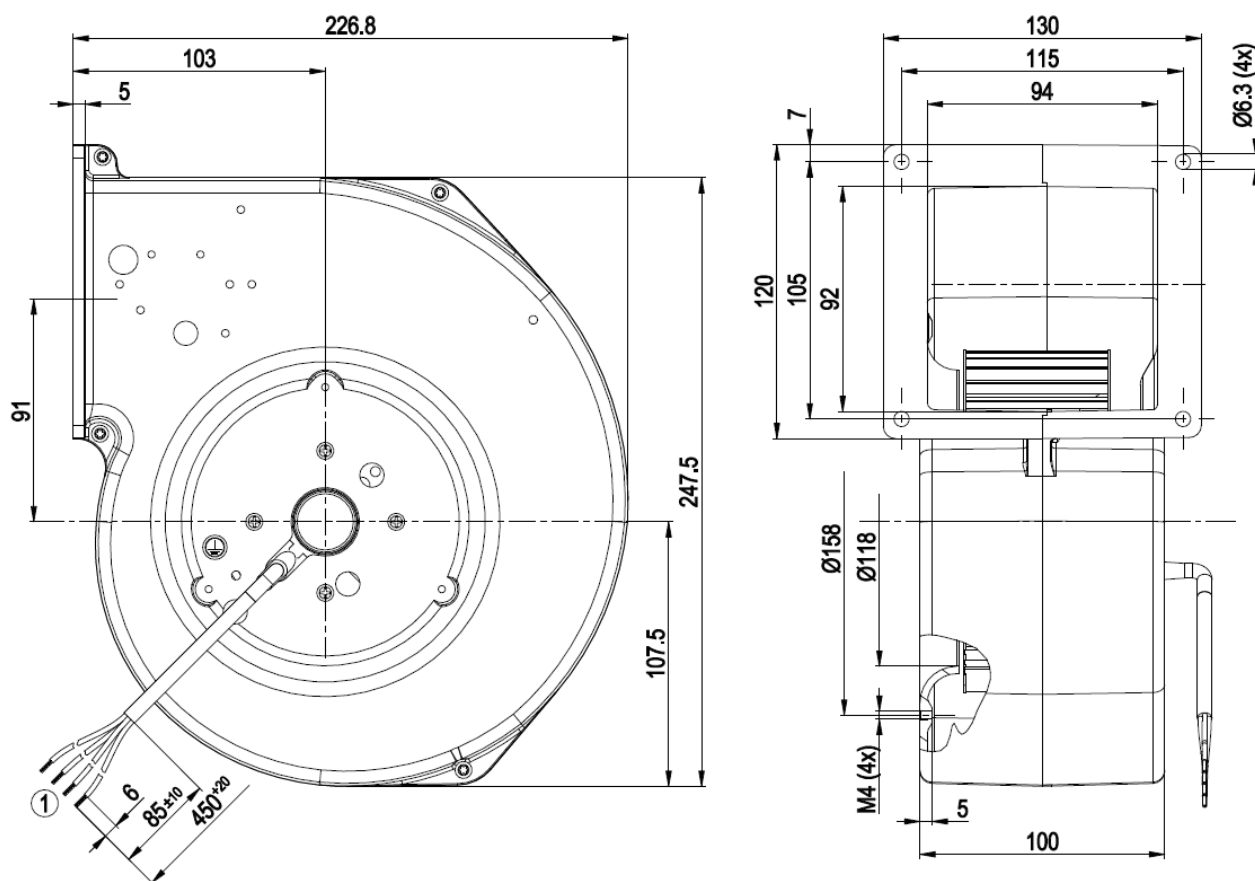
Pressure over air flow at 50Hz



Pressure over air flow at 60Hz

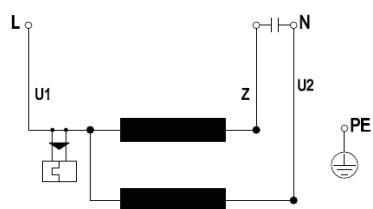


Drawing



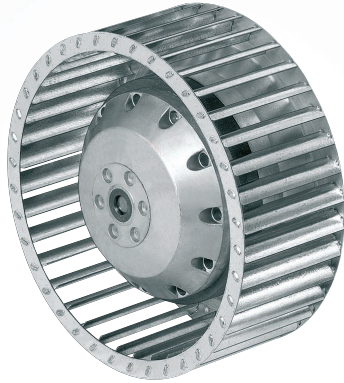
1 Cable PVC 4G 0.5 mm<sup>2</sup>, 4x crimped splices

Connection illustration



U1	blue	Z	brown	U2	black
PE	green/yellow				

# R2E140AE7705 - Single inlet forward curved AC centrifugal fans



[Back to product overview:](#)



### Material/surface

- Rotor: unpainted
- Housing: die-cast aluminium
- Impeller: sheet steel, galvanized

### Technical description

- Direction of rotation: Right CW, seen on rotor
- Protection: IP44
- Isolation: B
- Condensate discharges: None
- Mounting position: Any
- Mode of operation: Continuous (S1)
- Bearings: Ball bearings
- Motor protection: Thermal Overload Protector (TOP) - wired internally
- Cable: Variable, 450 mm

### Conformity with standards

- Norm: EN 60335-1; CE

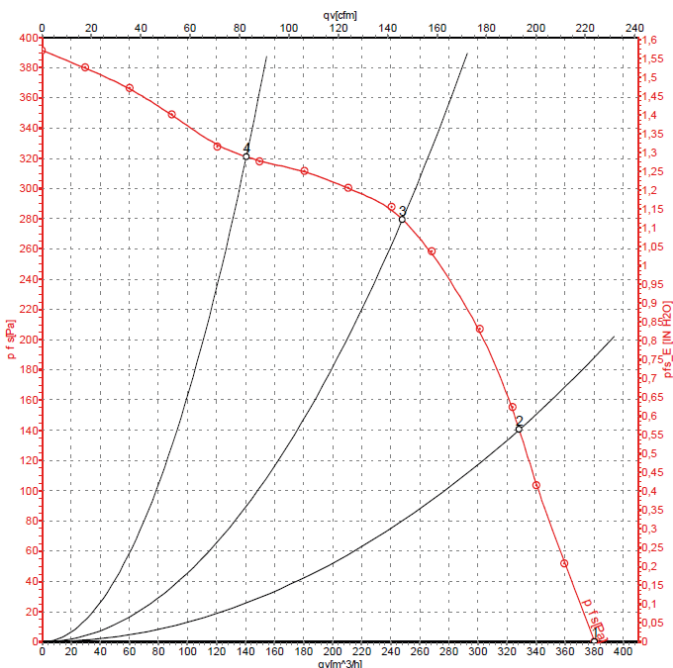
Go to	<a href="#">Pricelist</a>
Go to	<a href="#">Accessories</a>
Link to	<a href="#">ebm-papst operating instructions</a>
More at	<a href="#">www.ebmpapst.nl</a>

Nominal Data	Motor	Voltage	Frequency	Max. Air flow	Speed	Power consumption	Current draw	Capacitor capacity	Sound pressure level	Max. Back pressure	Perm. ambient temp.	Weight
Type	VAC	Hz	m3/h	rpm	W	A	µF/V	dB(A)	Pa	C	kg	
R2E140AE7705	M2E068-BF	230	50	380	1400	105	0,47	2/450	59	320	-25..+40	1,2
		230	60	330	1500	115	0,48	2/450	57	400	-25..+35	

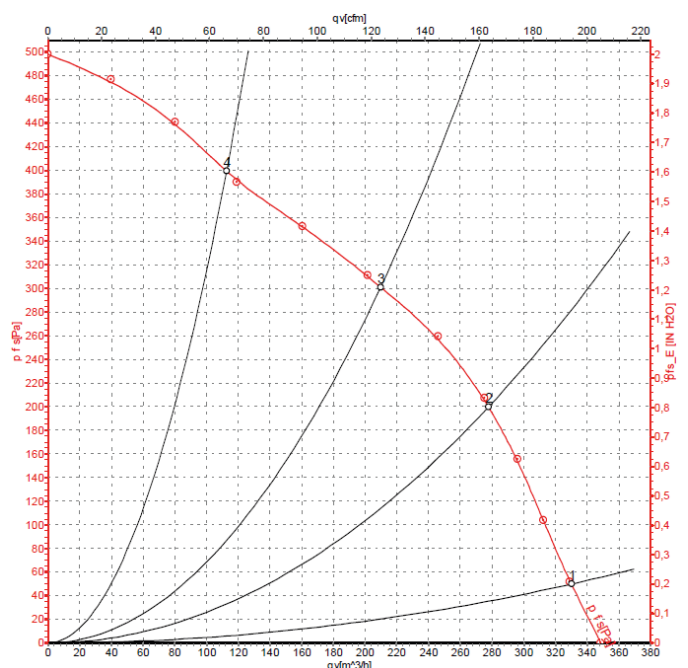
  

Subject to modification	Capacitor	Inlet ring (not included)
<a href="#">Pricelist</a>	<a href="#">280F00033</a>	<a href="#">09576-2-4013</a>

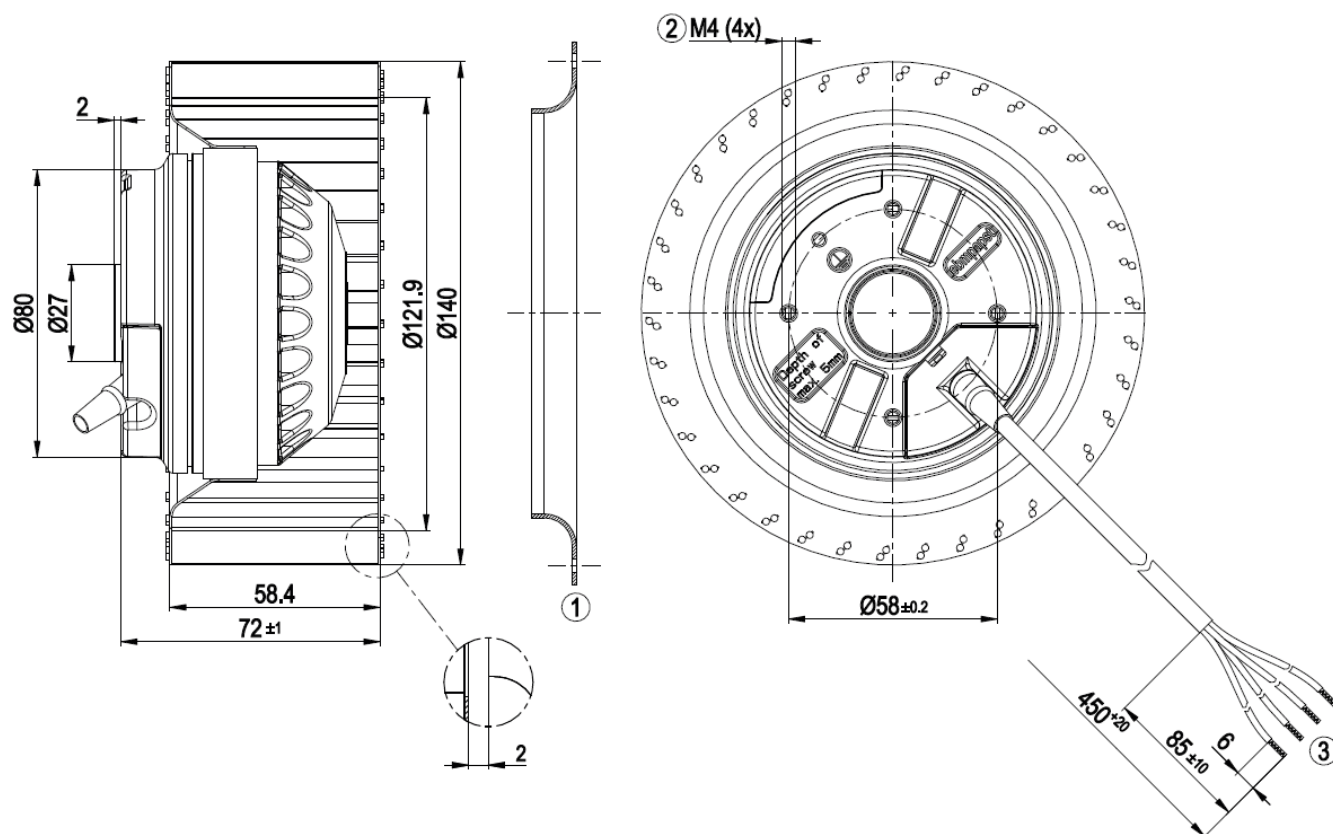
Pressure over air flow at 50Hz



Pressure over air flow at 60Hz

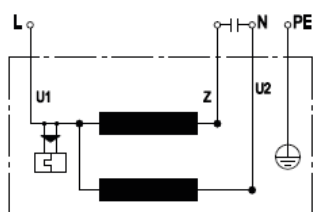


## Drawing



1	Accessory part: inlet ring 09576-2-4013 not included in scope of delivery
2	Max. clearance for screw 5 mm
3	Cable PVC 4G 0.5 mm <sup>2</sup> , 4x crimped splices

## Connection illustration



U1	blue	Z	brown	U2	black
PE	green/yellow				

# G2E140AI2801- Single inlet forward curved

## AC centrifugal fans



[Back to product overview:](#)



### Material/surface

- Rotor: unpainted
- Housing: die-cast aluminium
- Impeller: sheet steel, hot-dip galvanized

### Technical description

- Direction of rotation: Right CW, seen on rotor
- Protection: IP44
- Isolation: B
- Condensate discharges: None
- Mounting position: Any
- Mode of operation: Continuous (S1)
- Bearings: Ball bearings
- Motor protection: Thermal Overload Protector (TOP) - wired internally
- Cable: Variable, 450 mm

### Conformity with standards

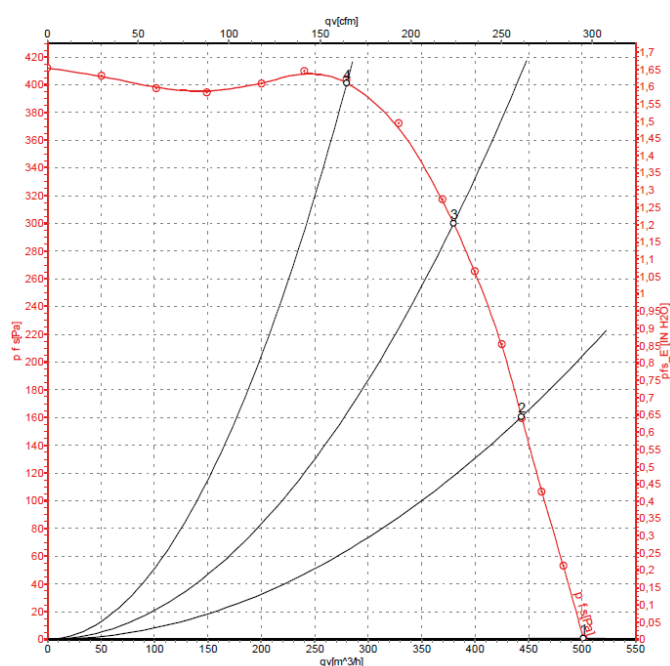
- Norm: EN 60335-1; CE

Go to	<a href="#">Pricelist</a>
Go to	<a href="#">Accessories</a>
Link to	<a href="#">ebm-papst operating instructions</a>
More at	<a href="http://www.ebmpapst.nl">www.ebmpapst.nl</a>

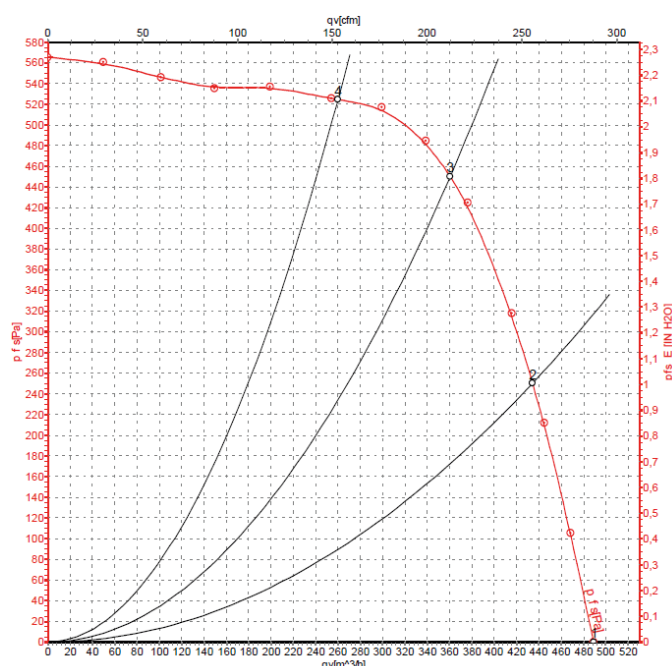
Nominal Data	Motor	Voltage	Frequency	Max. Air flow	Speed	Power consumption	Current draw	Capacitor capacity	Sound pressure level	Max. Back pressure	Perm. ambient temp.	Weight
Type	M2E068-DF	VAC	Hz	m3/h	rpm	W	A	µF/V	dB(A)	Pa	C	kg
G2E140AI2801		230	50	500	2400	160	0,7	4/400	72	400	-25..+70	3,52
		230	60	490	2350	205	0,9	4/400	71	525	-25..+45	

Subject to modification [Pricelist](#) Capacitor [280F00036](#)

Pressure over air flow at 50Hz

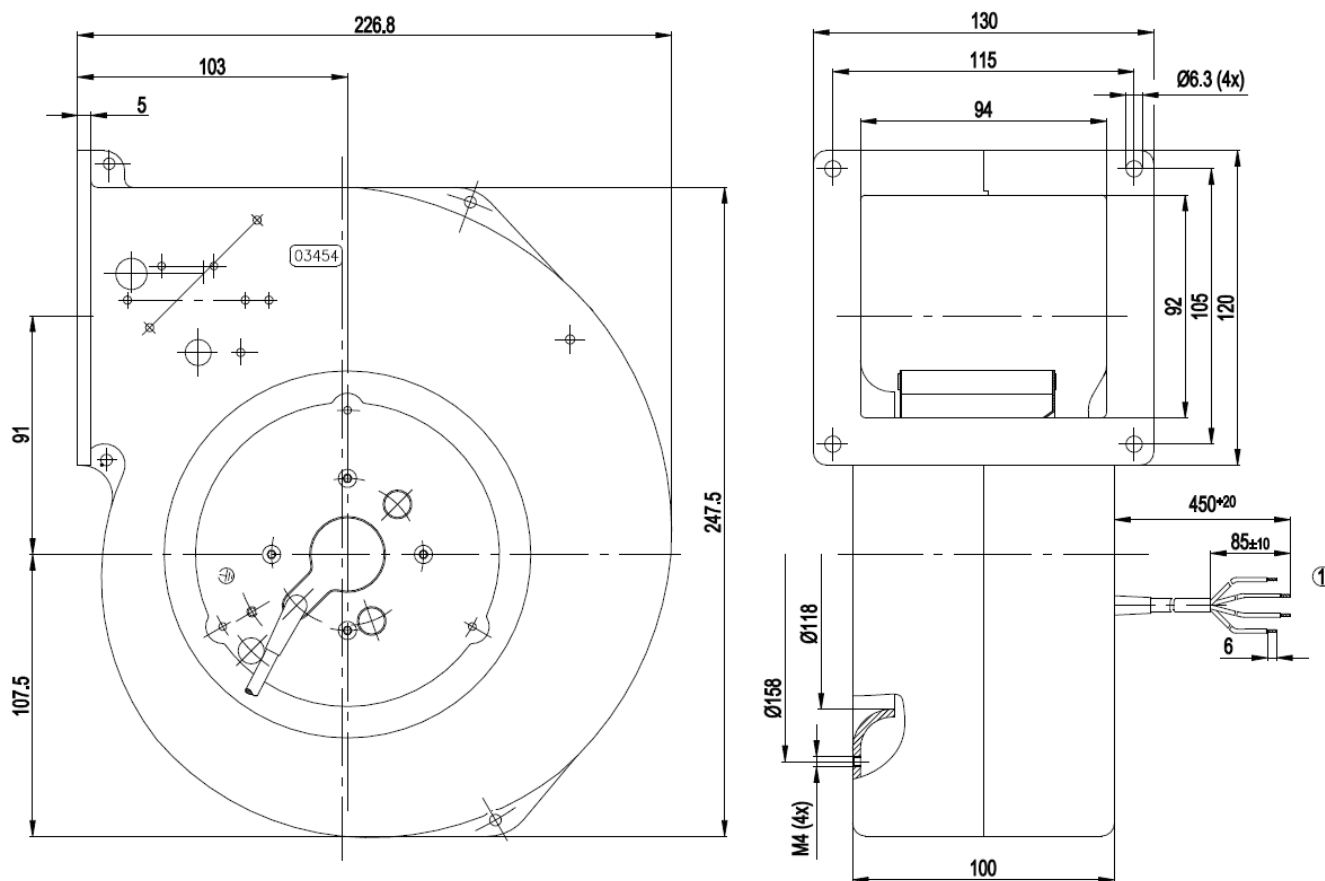


Pressure over air flow at 60Hz





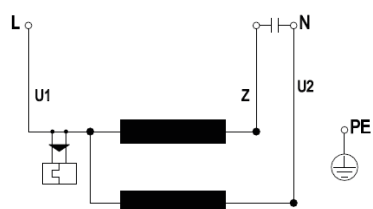
Drawing



1 Cable PVC 4G 0.5 mm², 4x crimped splices

Spare parts

Connection illustration



U1	blue	Z	brown	U2	black
PE	green/yellow				

# G2E160AY5091 - Single inlet forward curved

## AC centrifugal fans

[Back to product overview:](#)



### Material/surface

- Rotor: unpainted
- Housing: die-cast aluminium
- Impeller: sheet steel, galvanized

### Technical description

- Direction of rotation: Right CW, seen on rotor
- Protection: IP44
- Isolation: F
- Condensate discharges: None
- Mounting position: Any
- Mode of operation: Continuous (S1)
- Bearings: Ball bearings
- Motor protection: Thermal Overload Protector (TOP) - wired internally
- Cable: Variable, 450 mm

### Conformity with standards

- Norm: EN 60335-1; CE

Go to	<a href="#">Pricelist</a>
Go to	<a href="#">Accessories</a>
Link to	<a href="#">ebm-papst operating instructions</a>
More at	<a href="http://www.ebmpapst.nl">www.ebmpapst.nl</a>

Nominal Data	Motor	Voltage	Frequency	Max. Air flow	Speed	Power consumption	Current draw	Capacitor capacity	Sound pressure level	Max. Back pressure	Perm. ambient temp.	Weight
Type	VAC	Hz	m3/h	rpm	W	A	µF/V	dB(A)	Pa	C	kg	
G2E160AY5091	M2E068-EC	230	50	595	2280	270	1,18	6/400	-	520	-25..+60	4,0

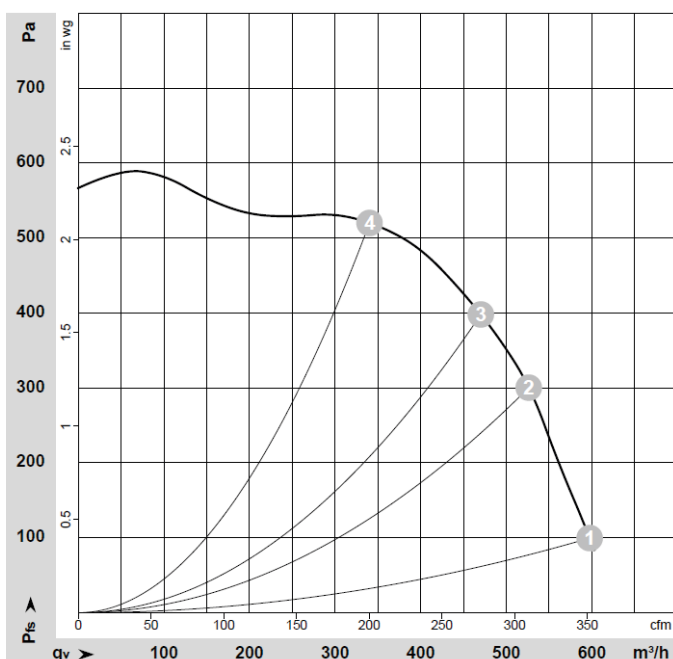
Subject to modification

[Pricelist](#)

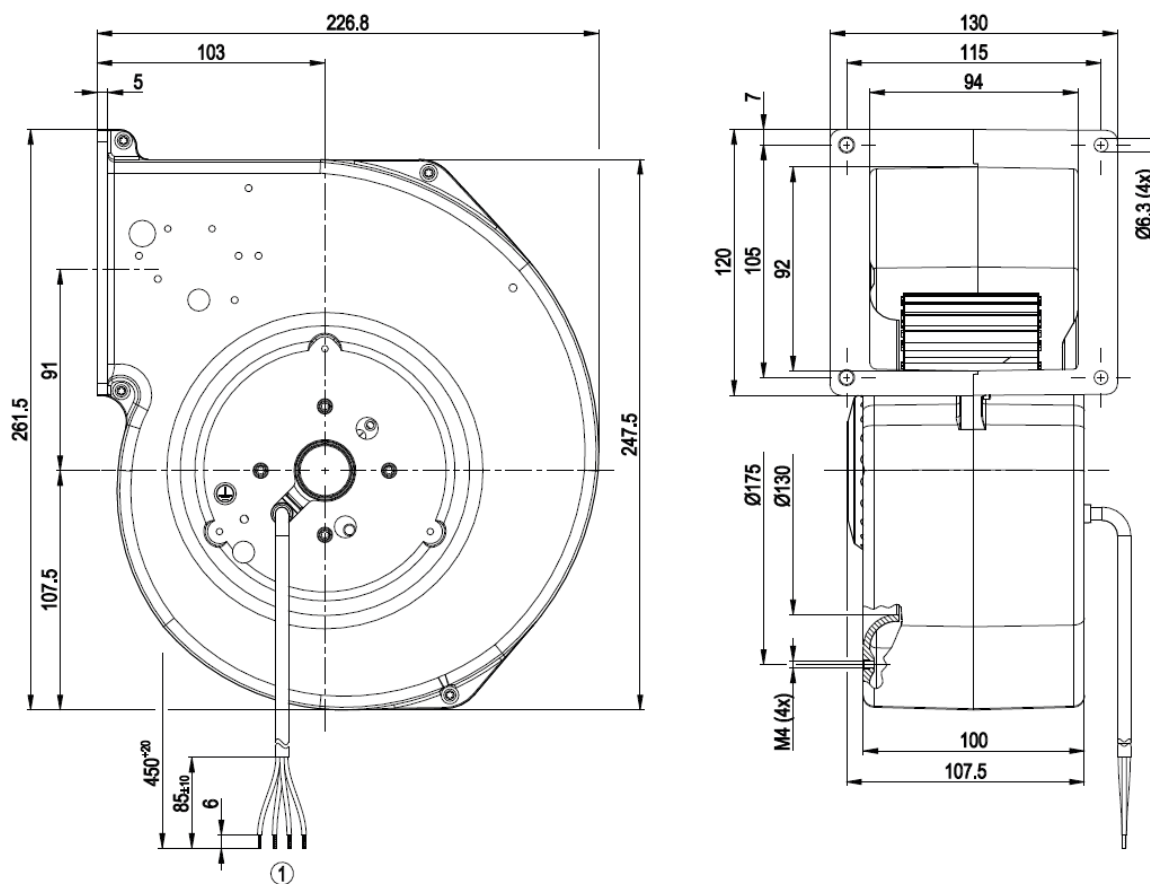
Capacitor

[280F00038](#)

### Pressure over air flow at 50Hz

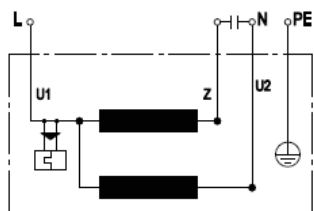


Drawing



1 Cable silicone 4G 0.5 mm<sup>2</sup>, 4x crimped splices

Connection illustration

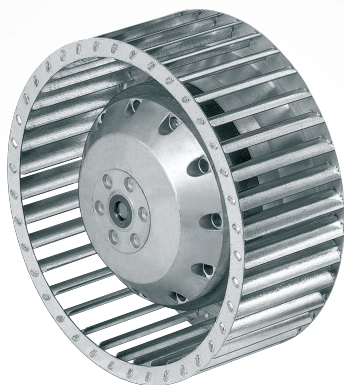


U1	blue	Z	brown	U2	black
PE	green/yellow				

Spare parts

# R2E160AY4701 - Single inlet forward curved

## AC centrifugal fans



[Back to product overview:](#)



### Material/surface

- Rotor: partly cast in aluminium
- Housing: die-cast aluminium
- Impeller: sheet steel, sendzimir galvanized

### Technical description

- Direction of rotation: Right CW, seen on rotor
- Protection: IP44
- Isolation: B
- Condensate discharges: None
- Mounting position: Any
- Mode of operation: Continuous (S1)
- Bearings: Ball bearings
- Motor protection: Thermal Overload Protector (TOP) - wired internally
- Cable: Variable, 450 mm

### Conformity with standards

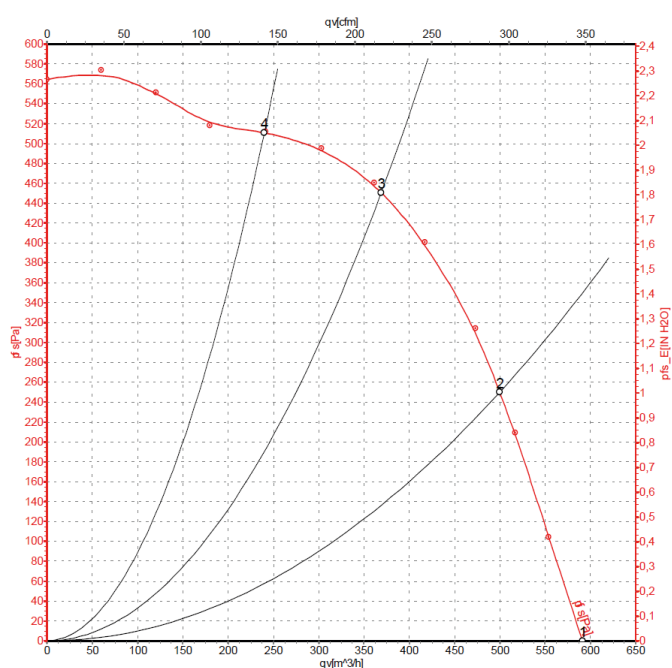
- Norm: EN 60335-1; CE

Go to	<a href="#">Pricelist</a>
Go to	<a href="#">Accessories</a>
Link to	<a href="#">ebm-papst operating instructions</a>
More at	<a href="#">www.ebmpapst.nl</a>

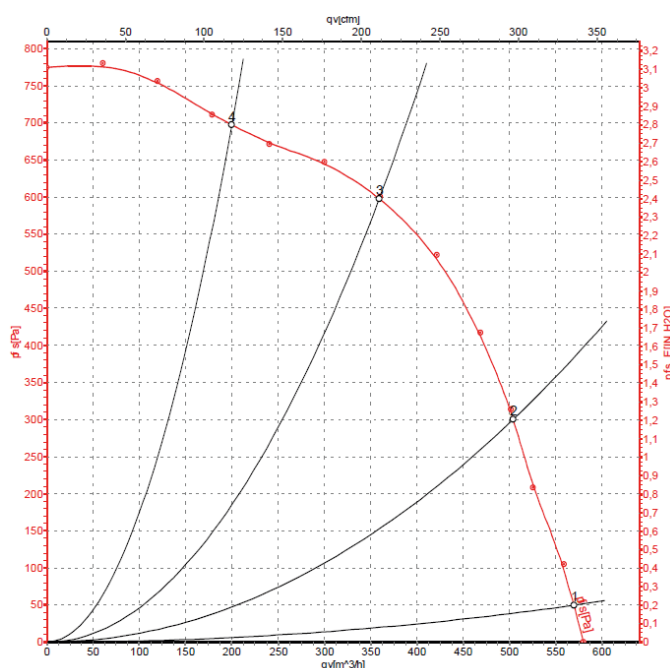
Nominal Data	Type	Motor	Voltage VAC	Frequency Hz	Max. Air flow m3/h	Speed rpm	Power consumption W	Current draw A	Capacitor capacity µF/V	Sound pressure level dB(A)	Max. Back pressure Pa	Perm. ambient temp. C	Weight kg
	R2E160AY4701	M2E068-EC	230	50	590	2100	240	1,05	6/400	72	510	-25..+50	2,6
			230	60	570	2100	280	1,23	6/400	71	700	-25..+30	

Subject to modification  
[Pricelist](#)      Capacitor  
[280F00038](#)

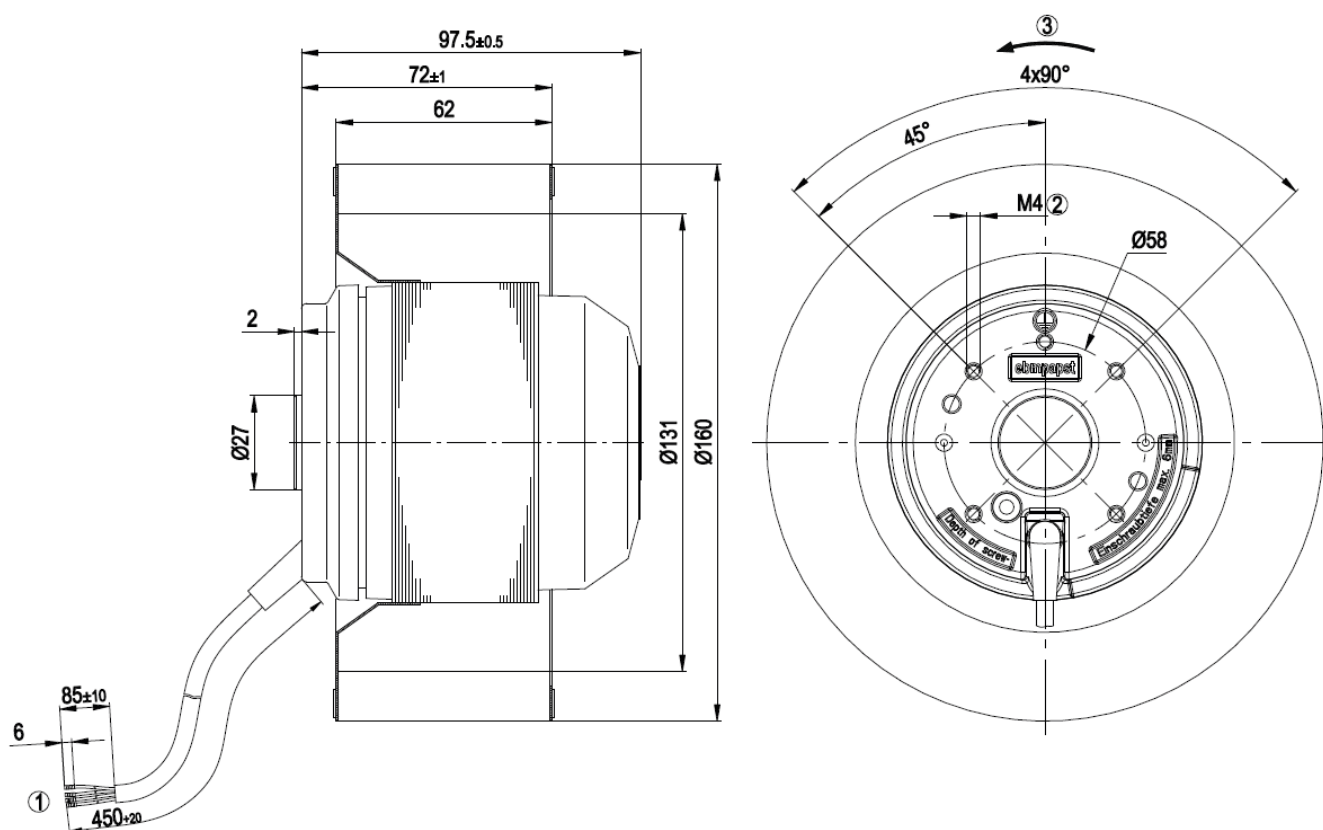
Pressure over air flow at 50Hz



Pressure over air flow at 60Hz

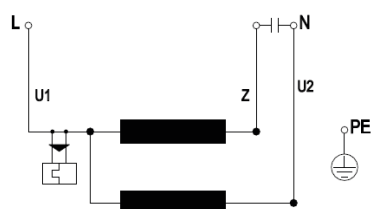


Drawing



1	Cable PVC, 4x crimped splices
2	Max. clearance for screw 5 mm
3	Direction of rotation clockwise, viewed toward rotor

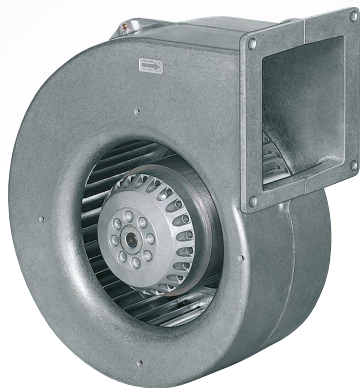
Connection illustration



U1	blue	Z	brown	U2	black
PE	green/yellow				

# G2E180EH0301 - Single inlet forward curved

## AC centrifugal fans



[Back to product overview:](#)



### Material/surface

- Rotor: painted black
- Housing: die-cast aluminium
- Impeller: sheet steel, painted black

### Technical description

- Direction of rotation: Right CW, seen on rotor
- Protection: IP44
- Isolation: B
- Condensate discharges: On rotor side
- Mounting position: Shaft horizontal or rotor on bottom; rotor on top on request
- Mode of operation: Continuous (S1)
- Bearings: Ball bearings
- Motor protection: Thermal Overload Protector (TOP) - wired internally
- Cable: Variable, 450 mm

### Conformity with standards

- Norm: EN 60335-1; CE

Go to	<a href="#">Pricelist</a>
Go to	<a href="#">Accessories</a>
Link to	<a href="#">ebm-papst operating instructions</a>
More at	<a href="#">www.ebmpapst.nl</a>

Nominal Data	Motor	Voltage	Frequency	Max. Air flow	Speed	Power consumption	Current draw	Capacitor capacity	Sound pressure level	Max. Back pressure	Perm. ambient temp.	Weight
Type	VAC	Hz	m3/h	rpm	W	A	μF/V	dB(A)	Pa	C	kg	
G2E180EH0301	M2E074-EI	230	50	755	1950	400	1,75	8/400	73	690	-25..+40	5,4
		230	60	635	2150	415	1,82	8/400	71	890	-25..+30	

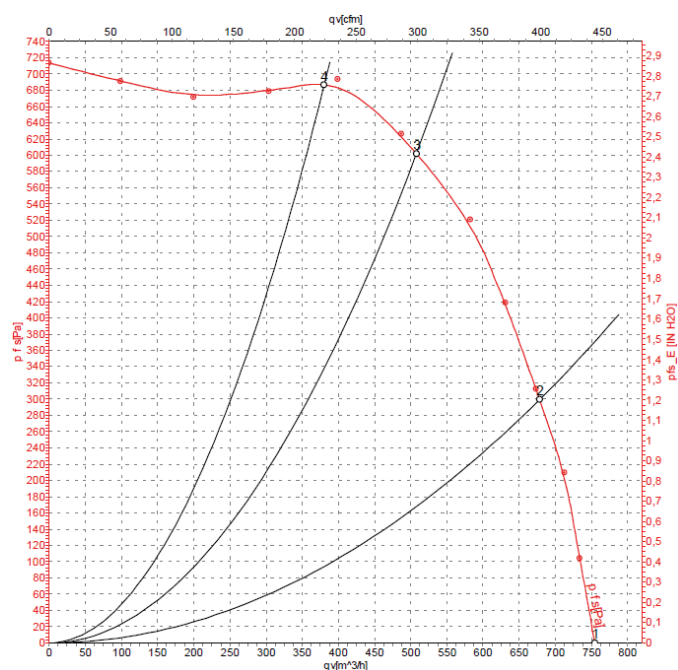
Subject to modification

[Pricelist](#)

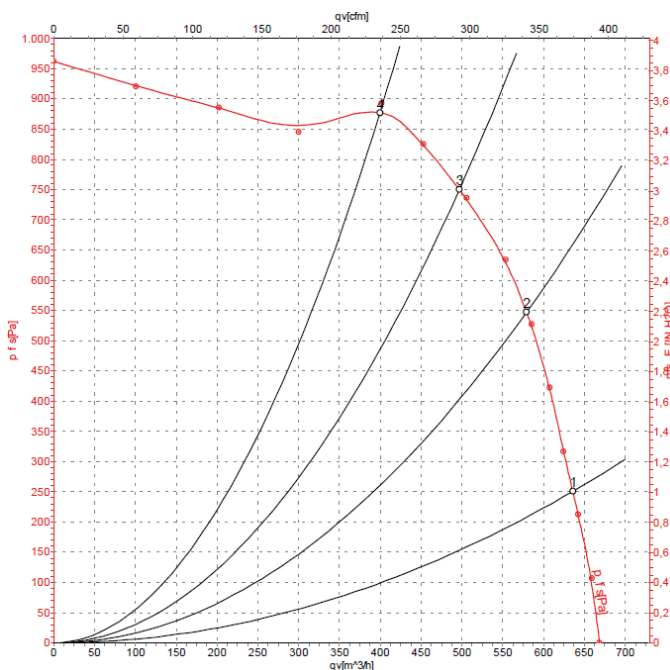
Capacitor

[280F00039](#)

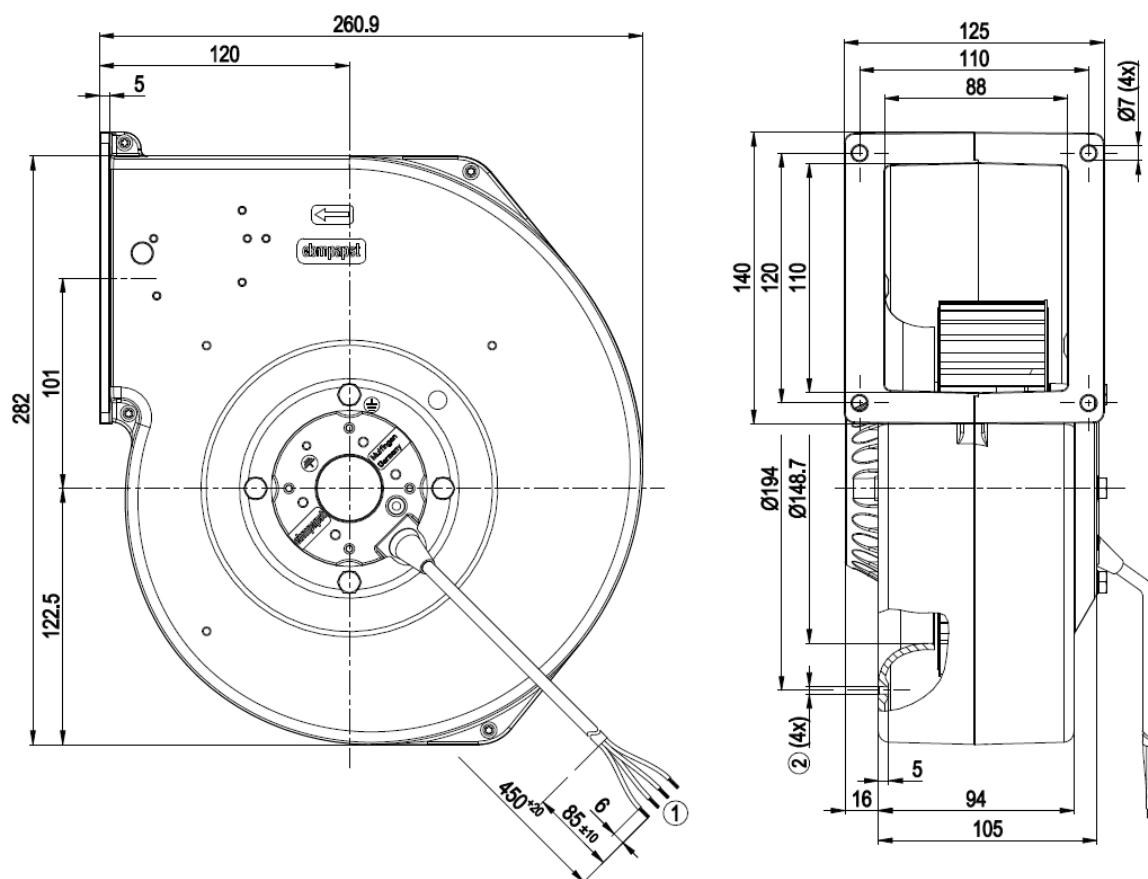
Pressure over air flow at 50Hz



Pressure over air flow at 60Hz

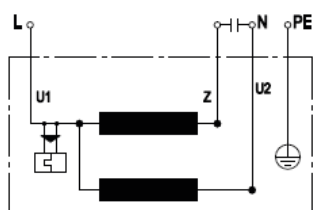


## Drawing



- |   |   |
|---|---|
| 1 | Cable PVC 4G 0.5 mm <sup>2</sup> , 4x crimped splices |
| 2 | For self-tapping M4 screws                            |

## Connection illustration



- |    |              |   |       |    |       |
|----|--------------|---|-------|----|-------|
| U1 | blue         | Z | brown | U2 | black |
| PE | green/yellow |   |       |    |       |

# D2E097BK8002 - Double inlet forward curved AC centrifugal fans

[Back to product overview:](#)



## Material/surface

- Rotor: unpainted
- Housing: sheet steel, hot-dip galvanized
- Impeller: sheet steel, hot-dip galvanized

## Technical description

- Direction of rotation: Right CW, seen on rotor
- Protection: IP20
- Isolation: B
- Condensate discharges: None
- Mounting position: Any
- Mode of operation: Continuous (S1)
- Bearings: Ball bearings
- Motor protection: Thermal Overload Protector (TOP) - wired internally
- Cable: Variable, 200 mm

## Conformity with standards

- Norm: EN 60335-1; CE

Go to	<a href="#">Pricelist</a>
Go to	<a href="#">Accessories</a>
Link to	<a href="#">ebm-papst operating instructions</a>
More at	<a href="http://www.ebmpapst.nl">www.ebmpapst.nl</a>

Nominal Data		Voltage	Frequency	Max. Air flow	Speed	Power consumption	Current draw	Capacitor capacity	Sound pressure level	Max. Back pressure	Perm. ambient temp.	Weight
Type	Motor	VAC	Hz	m3/h	rpm	W	A	µF/V	dB(A)	Pa	C	kg
D2E097BK8002	M2E052-BF	230	50	400	1750	77	0,34	2/400	57	200	-25..+30	1,45

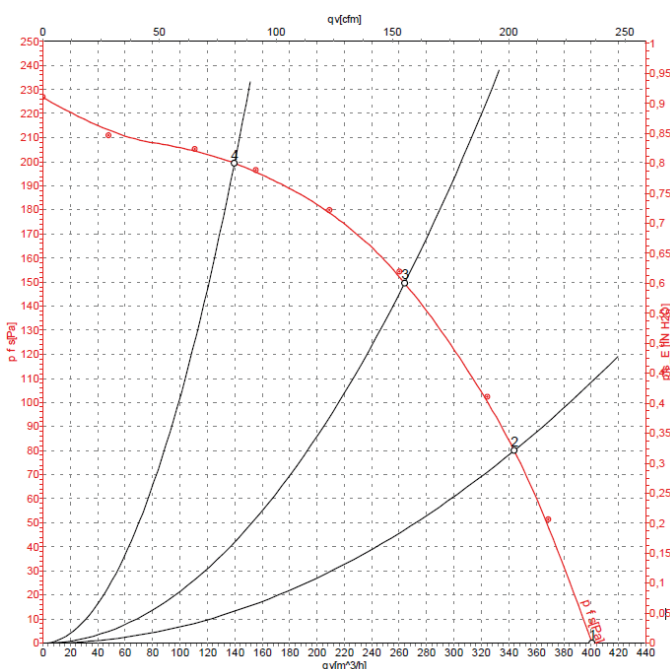
Subject to modification

[Pricelist](#)

Capacitor

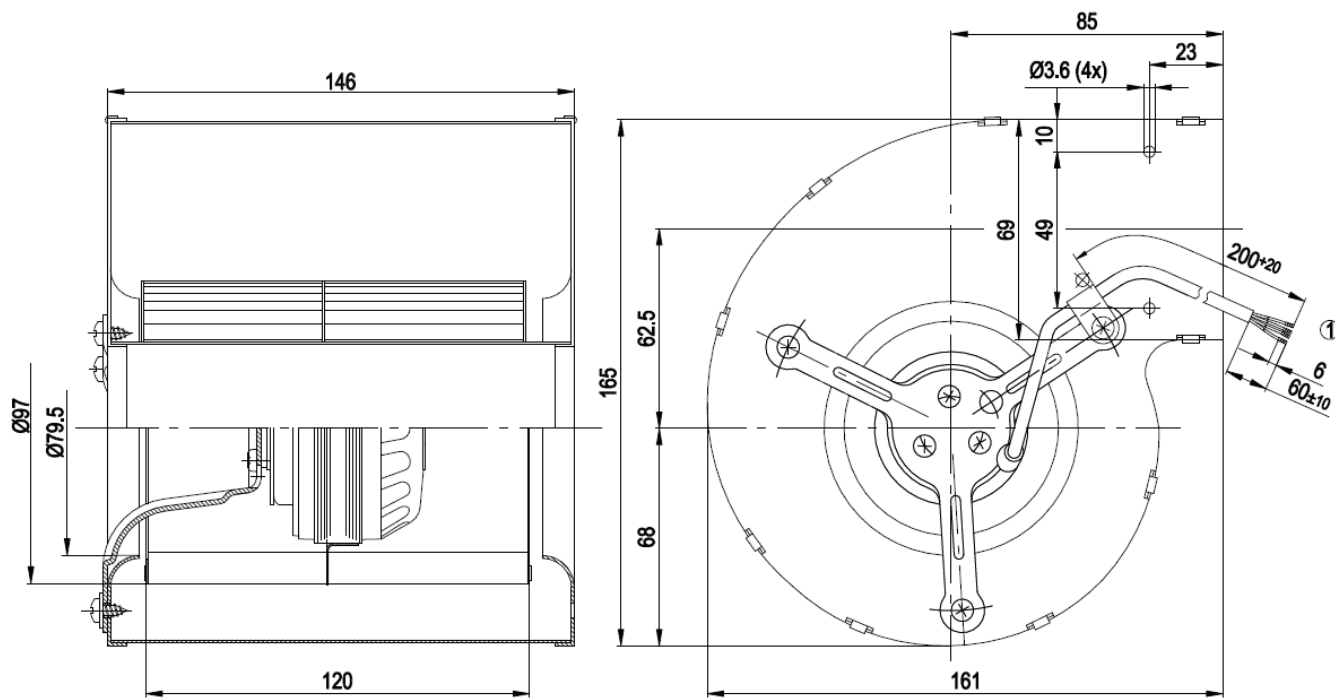
[280F00033](#)

## Pressure over air flow at 50Hz



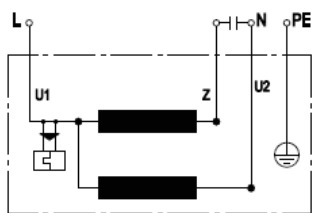


Drawing



- 1 Cable PVC 4G 0.5 mm<sup>2</sup>, 4x crimped splices

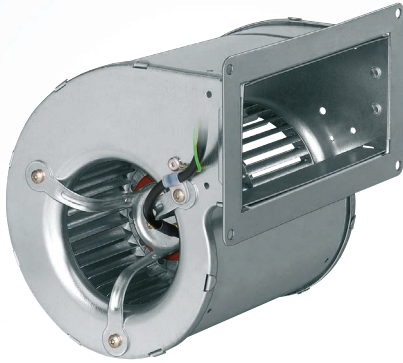
Connection illustration



U1	blue	Z	brown	U2	black
PE	green/yellow				

# D2E097CB0102- Double inlet forward curved

## AC centrifugal fans



[Back to product overview:](#)



### Material/surface

- Rotor: unpainted
- Housing: sheet steel, hot-dip galvanized
- Impeller: sheet steel, hot-dip galvanized

### Technical description

- Direction of rotation: Right CW, seen on rotor
- Protection: IP44
- Isolation: B
- Condensate discharges: None
- Mounting position: Any
- Mode of operation: Continuous (S1)
- Bearings: Ball bearings
- Motor protection: Thermal Overload Protector (TOP) - wired internally
- Cable: Variable, 250 mm

### Conformity with standards

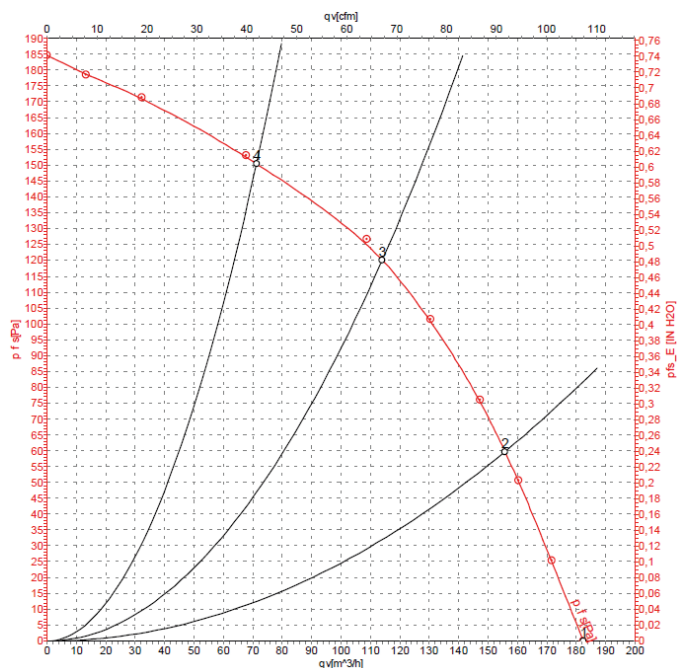
- Norm: EN 60335-1; CE

Go to	<a href="#">Pricelist</a>
Go to	<a href="#">Accessories</a>
Link to	<a href="#">ebm-papst operating instructions</a>
More at	<a href="#">www.ebmpapst.nl</a>

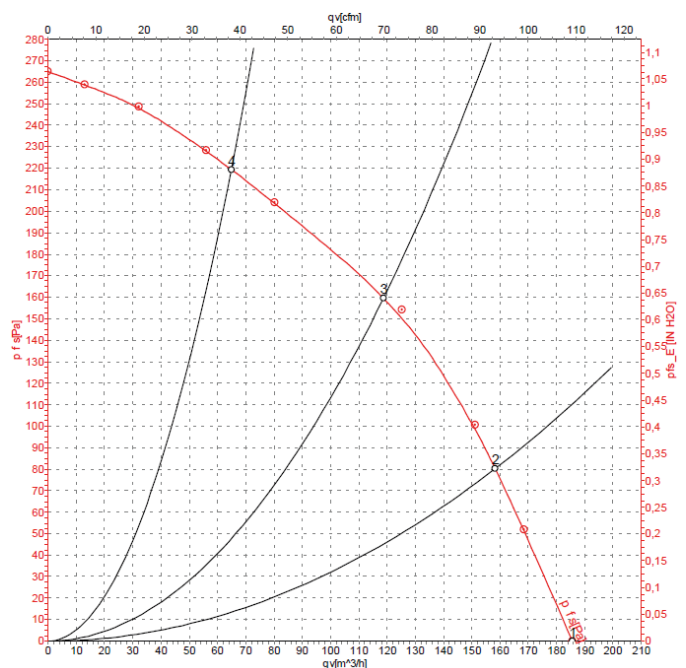
Nominal Data		Voltage	Frequency	Max. Air flow	Speed	Power consumption	Current draw	Capacitor capacity	Sound pressure level	Max. Back pressure	Perm. ambient temp.	Weight
Type	Motor	VAC	Hz	m3/h	rpm	W	A	μF/V	dB(A)	Pa	C	kg
D2E097CB0102	M2E042-CA	230	50	180	1650	42	0,19	1,5/400	47	150	-25..+50	1,1
		230	60	185	1650	42	0,20	1,5/400	47	220	-25..+55	

Subject to modification  
[Pricelist](#)      Capacitor  
[280F00032](#)

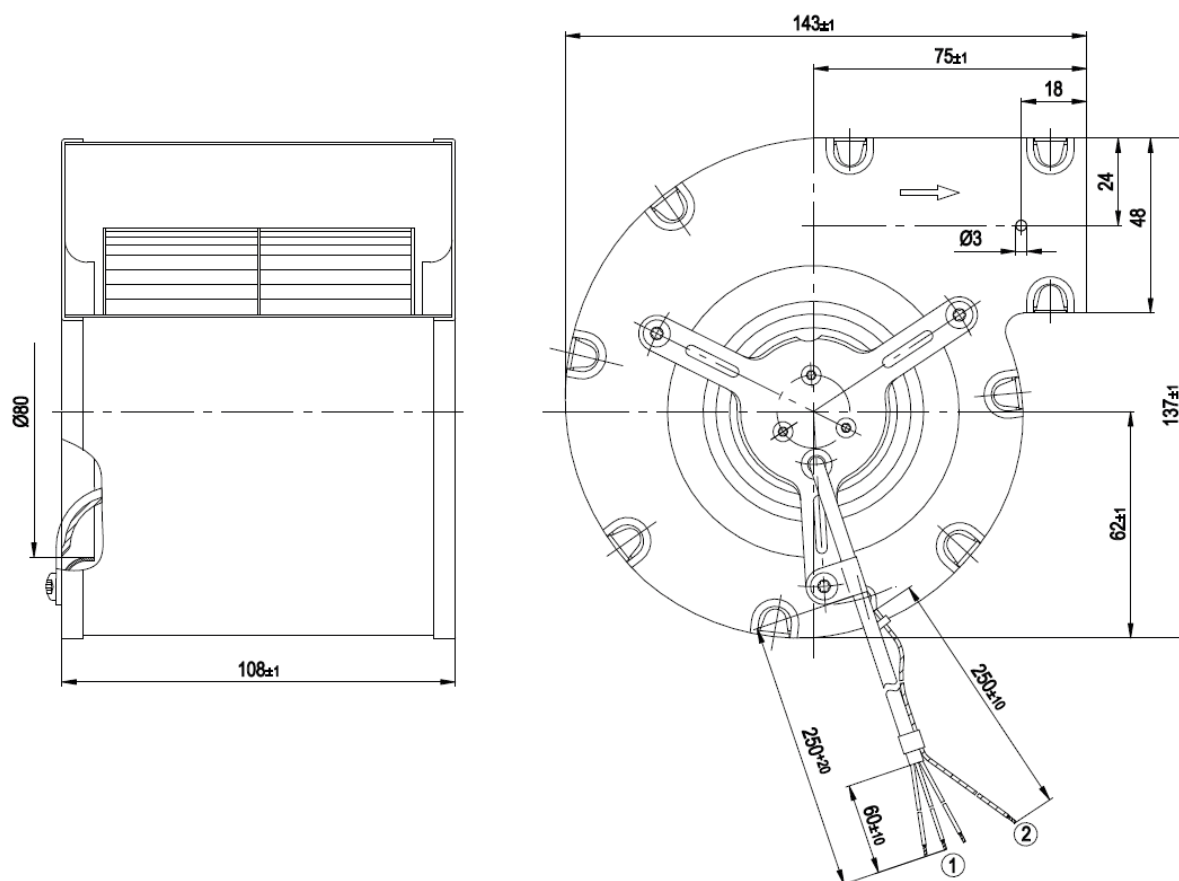
Pressure over air flow at 50Hz



Pressure over air flow at 60Hz

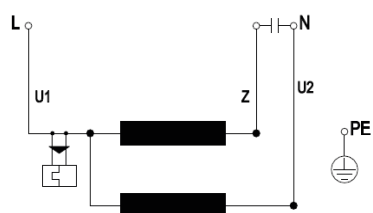


## Drawing



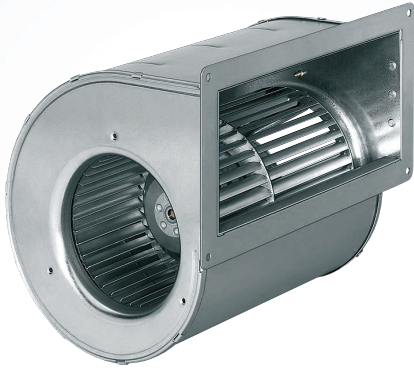
- |   |   |
|---|---|
| 1 | Wire PVC 3X 0.25 mm <sup>2</sup> , 3x crimped splices |
| 2 | Wire AWG 20, 1x crimped splice                        |

## Connection illustration



U1	blue	Z	brown	U2	black
PE	green/yellow				

# D2E133AM4701 - Double inlet forward curved AC centrifugal fans



[Back to product overview:](#)



### Material/surface

- Rotor: unpainted
- Housing: sheet steel, galvanized
- Impeller: sheet steel, galvanized

### Technical description

- Direction of rotation: Right CW, seen on rotor
- Protection: IP44
- Isolation: B
- Condensate discharges: None
- Mounting position: Any
- Mode of operation: Continuous (S1)
- Bearings: Ball bearings
- Motor protection: Thermal Overload Protector (TOP) - wired internally
- Cable: Variable, 450 mm

### Conformity with standards

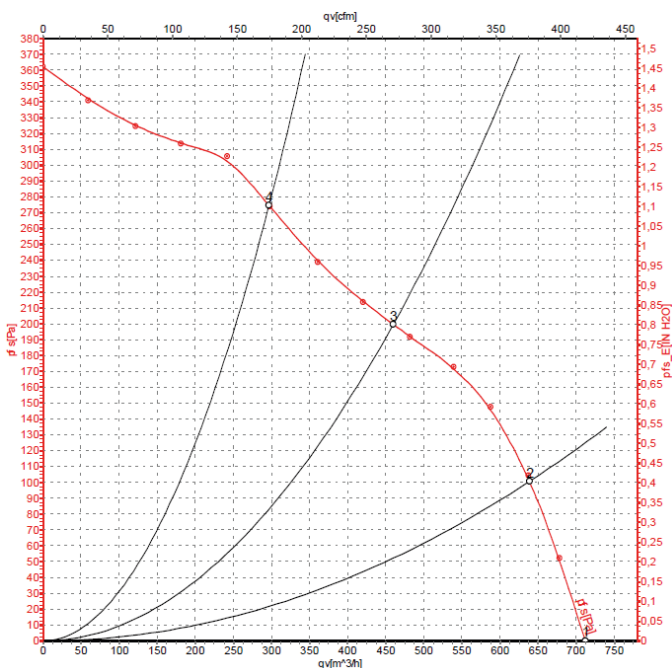
- Norm: EN 60335-1; CE

Go to	<a href="#">Pricelist</a>
Go to	<a href="#">Accessories</a>
Link to	<a href="#">ebm-papst operating instructions</a>
More at	<a href="#">www.ebmpapst.nl</a>

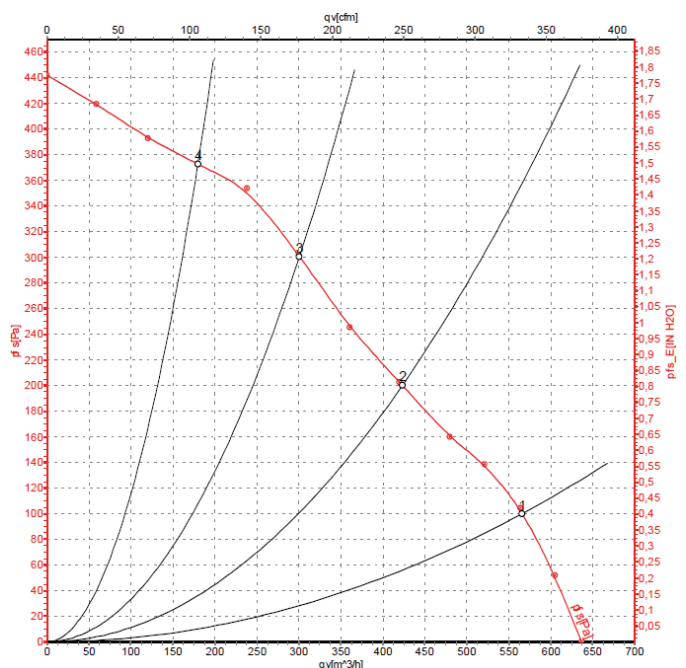
Nominal Data	Motor	Voltage	Frequency	Max. Air flow	Speed	Power consumption	Current draw	Capacitor capacity	Sound pressure level	Max. Back pressure	Perm. ambient temp.	Weight
Type	M2E068-DF	VAC	Hz	m3/h	rpm	W	A	μF/V	dB(A)	Pa	C	kg
D2E133AM4701		230	50	710	1900	164	0,72	3/450	59	275	-25..+55	3,5
		230	60	565	1800	200	0,88	3/450	56	375	-25..+25	

Subject to modification  
[Pricelist](#)      Capacitor  
[280F00035](#)

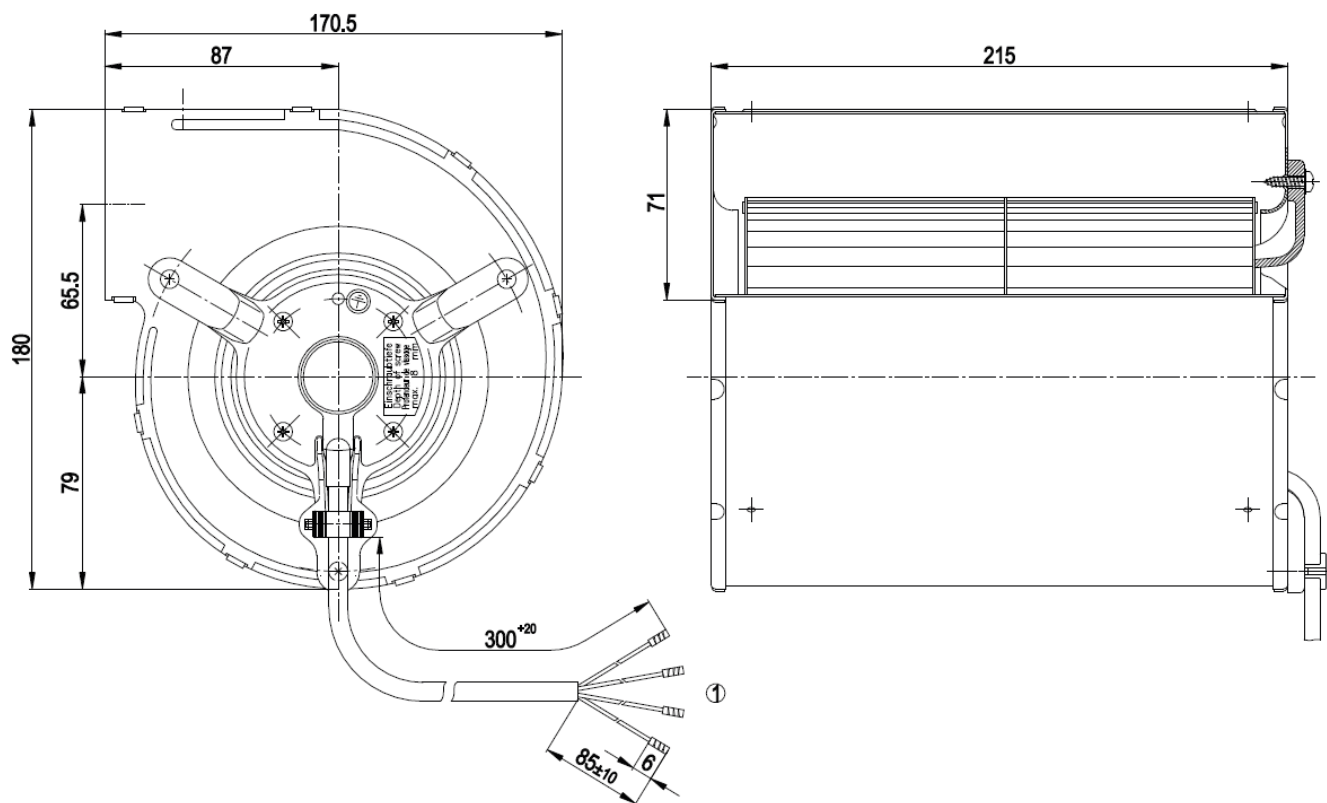
Pressure over air flow at 50Hz



Pressure over air flow at 60Hz

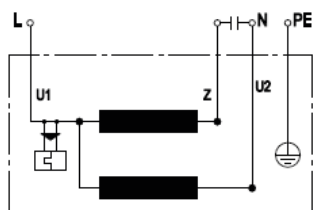


Drawing



1 Cable PVC 4G 0.5 mm<sup>2</sup>, 4x crimped splices

Connection illustration



U1	blue	Z	brown	U2	black
PE	green/yellow				

# D2E133DM4701 - Double inlet forward curved AC centrifugal fans



Without flence

[Back to product overview:](#)



### Material/surface

- Rotor: partly cast in aluminium
- Housing: sheet steel, hot-dip galvanized
- Impeller: sheet steel, hot-dip galvanized

### Technical description

- Direction of rotation: Right CW, seen on rotor
- Protection: IP44
- Isolation: B
- Condensate discharges: None
- Mounting position: Any
- Mode of operation: Continuous (S1)
- Bearings: Ball bearings
- Motor protection: Thermal Overload Protector (TOP) - wired internally
- Cable: Variable, 300 mm

### Conformity with standards

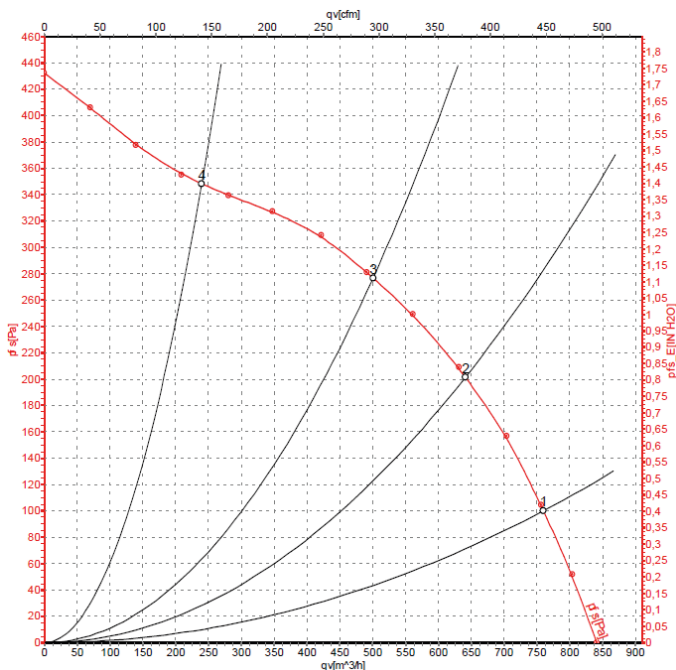
- Norm: EN 60335-1; CE

Go to	<a href="#">Pricelist</a>
Go to	<a href="#">Accessories</a>
Link to	<a href="#">ebm-papst operating instructions</a>
More at	<a href="#">www.ebmpapst.nl</a>

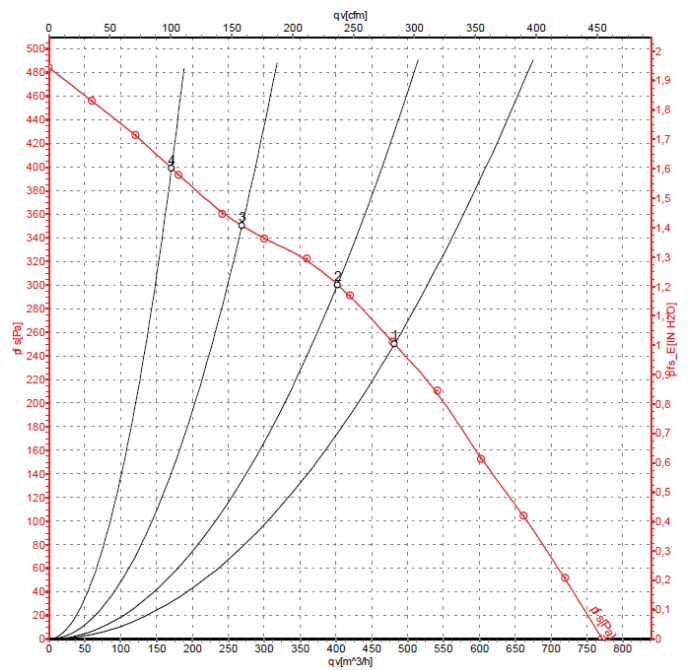
Nominal Data	Motor	Voltage	Frequency	Max. Air flow	Speed	Power consumption	Current draw	Capacitor capacity	Sound pressure level	Max. Back pressure	Perm. ambient temp.	Weight
Type	VAC	Hz	m3/h	rpm	W	A	μF/V	dB(A)	Pa	C	kg	
D2E133DM4701	M2E068-DF	230	50	760	1650	175	0,78	3/450	58	350	-25..+40	3,8
		230	60	480	2200	185	0,82	3/450	62	400	-25..+40	

Subject to modification [Capacitor 280F00035](#)

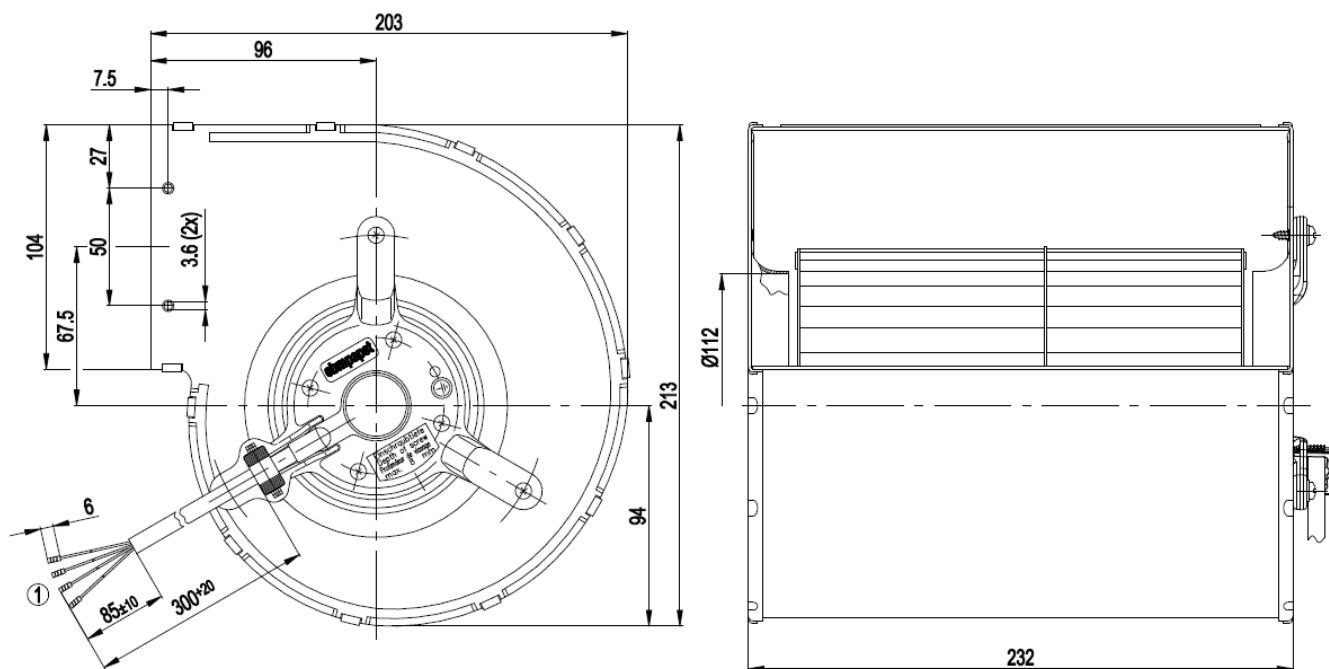
Pressure over air flow at 50Hz



Pressure over air flow at 60Hz

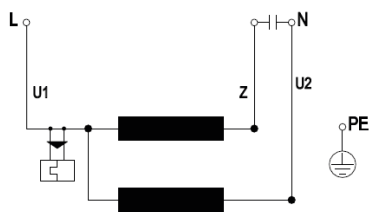


Drawing



- 1 Cable PVC 0.5 mm<sup>2</sup>, 4x crimped splices

Connection illustration



U1	blue	Z	brown	U2	black
PE	green/yellow				

# D4E133AH0155 - Double inlet forward curved AC centrifugal fans

[Back to product overview:](#)



## Material/surface

- Rotor: partly cast in aluminium
- Housing: sheet steel, hot-dip galvanized
- Impeller: PA6 plastic, glass-fiber reinforced

## Technical description

- Direction of rotation: Right CW, seen on rotor
- Protection: IP44
- Isolation: B
- Condensate discharges: None
- Mounting position: Any
- Mode of operation: Continuous (S1)
- Bearings: Ball bearings
- Motor protection: Thermal Overload Protector (TOP) - wired internally
- Cable: Axial, 300 mm

## Conformity with standards

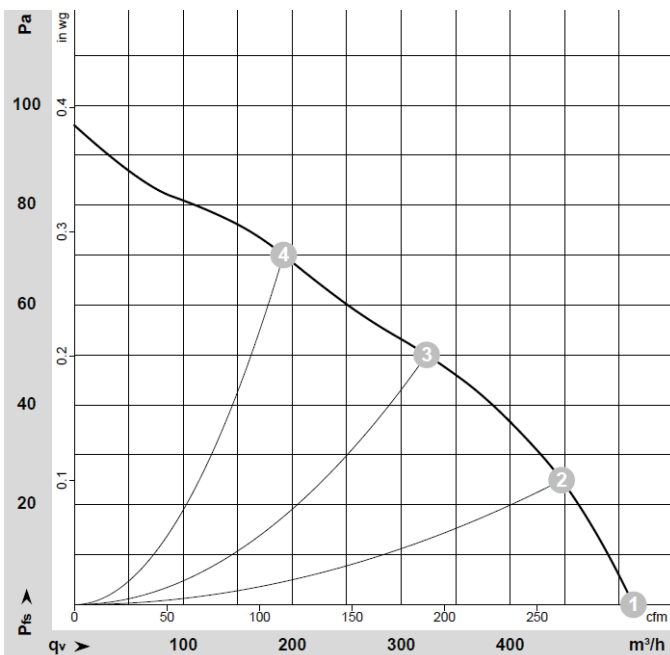
- Norm: EN 60335-1; CE

Go to	<a href="#">Pricelist</a>
Go to	<a href="#">Accessories</a>
Link to	<a href="#">ebm-papst operating instructions</a>
More at	<a href="http://www.ebmpapst.nl">www.ebmpapst.nl</a>

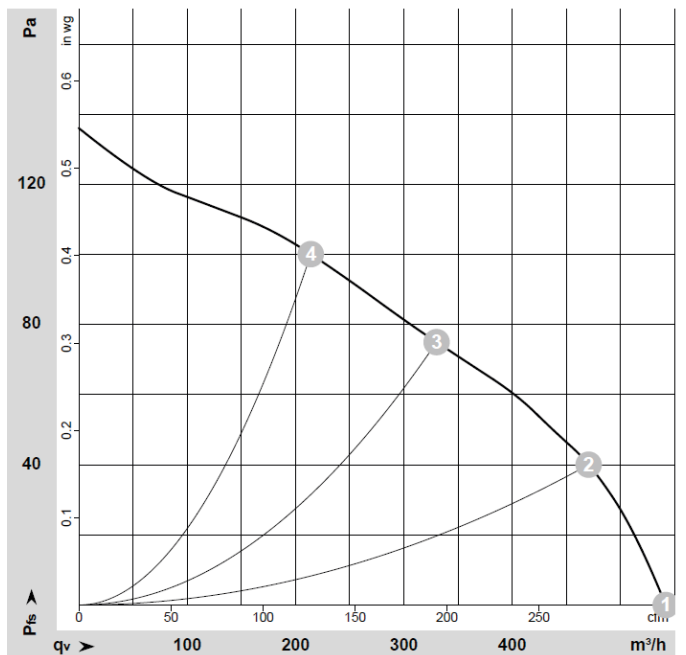
Nominal Data	Type	Motor	Voltage VAC	Frequency Hz	Max. Air flow m3/h	Speed rpm	Power consumption W	Current draw A	Capacitor capacity µF/V	Sound pressure level dB(A)	Max. Back pressure Pa	Perm. ambient temp. C	Weight kg
	D4E133AH0155	M4E068-BF	230	50	515	1150	70	0,31	2/400	52	70	-25..+40	2,3
			230	60	540	1240	81	0,36	2/400	54	100	-25..+40	

Subject to modification [Pricelist](#) Capacitor [280F00033](#)

Pressure over air flow at 50Hz

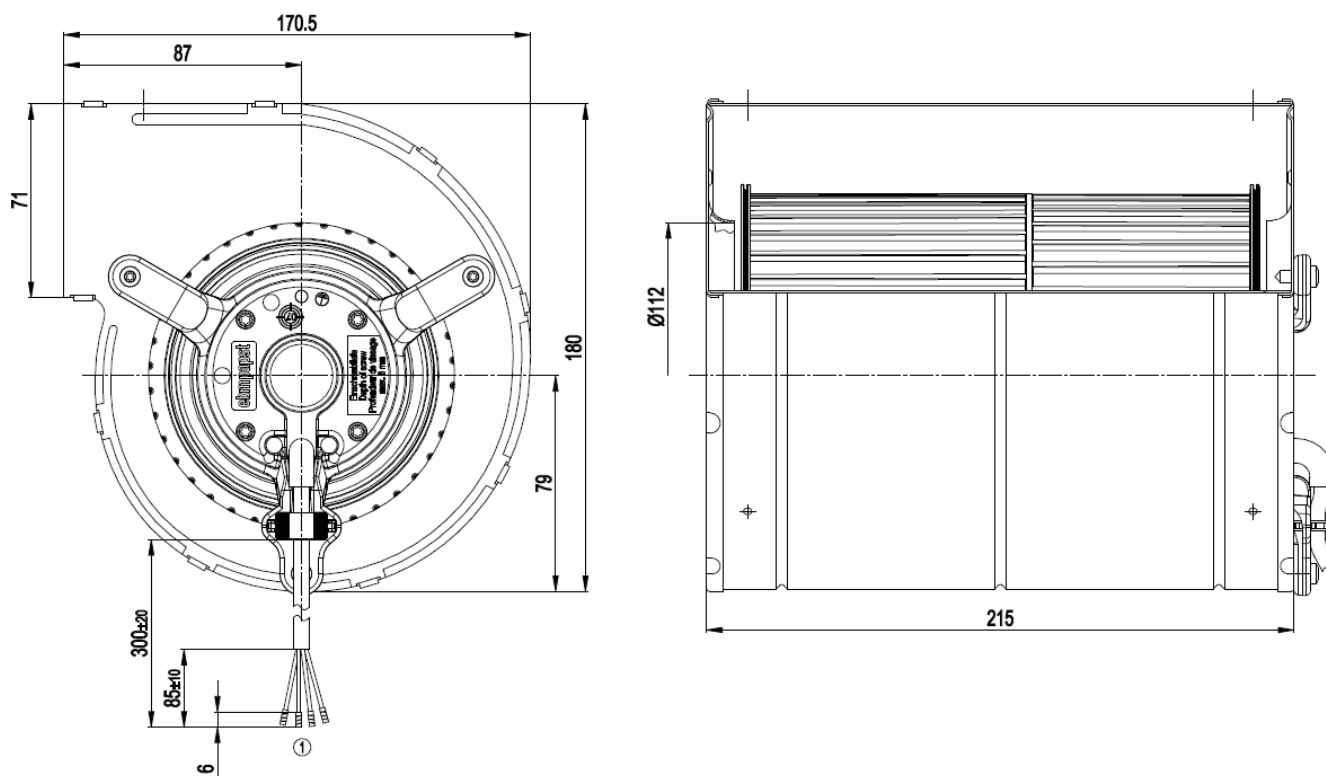


Pressure over air flow at 60Hz





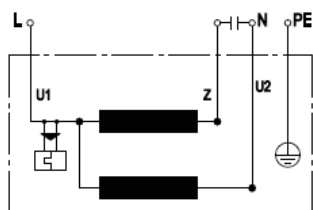
Drawing



1 Cable PVC 4G 0.5 mm<sup>2</sup>, 4x crimped splices

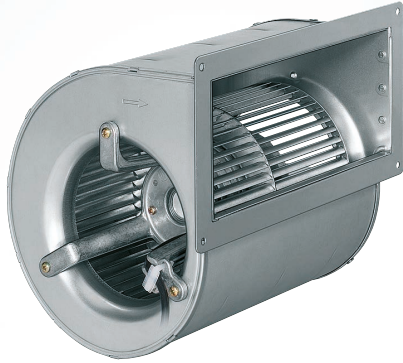
Spare parts

Connection illustration



U1	blue	Z	brown	U2	black
PE	green/yellow				

# D2E146AP4722 - Double inlet forward curved AC centrifugal fans



[Back to product overview:](#)



### Material/surface

- Rotor: unpainted
- Housing: sheet steel, galvanized
- Impeller: sheet steel, galvanized

### Technical description

- Direction of rotation: Left CCW, seen on rotor
- Protection: IP44
- Isolation: B
- Condensate discharges: None
- Mounting position: Any
- Mode of operation: Continuous (S1)
- Bearings: Ball bearings
- Motor protection: Thermal Overload Protector (TOP) - wired internally
- Cable: Axial, 350 mm

### Conformity with standards

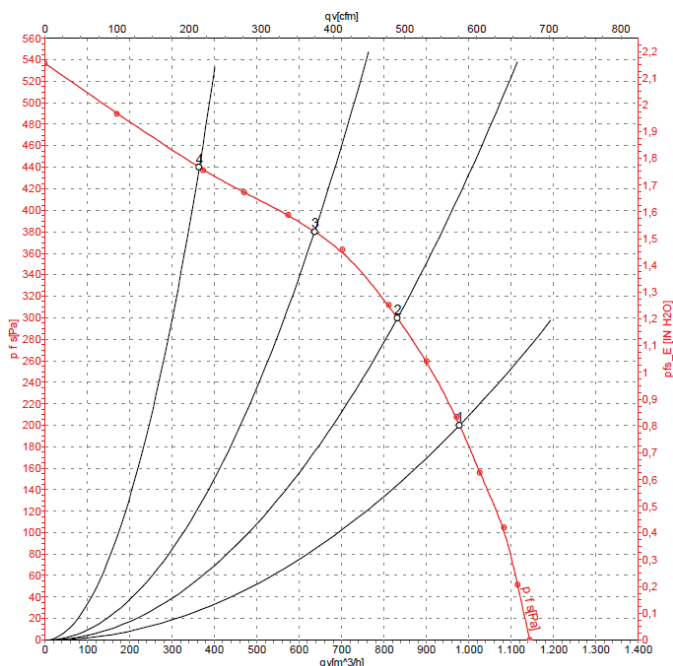
- Norm: EN 60335-1; CE

Go to	<a href="#">Pricelist</a>
Go to	<a href="#">Accessories</a>
Link to	<a href="#">ebm-papst operating instructions</a>
More at	<a href="http://www.ebmpapst.nl">www.ebmpapst.nl</a>

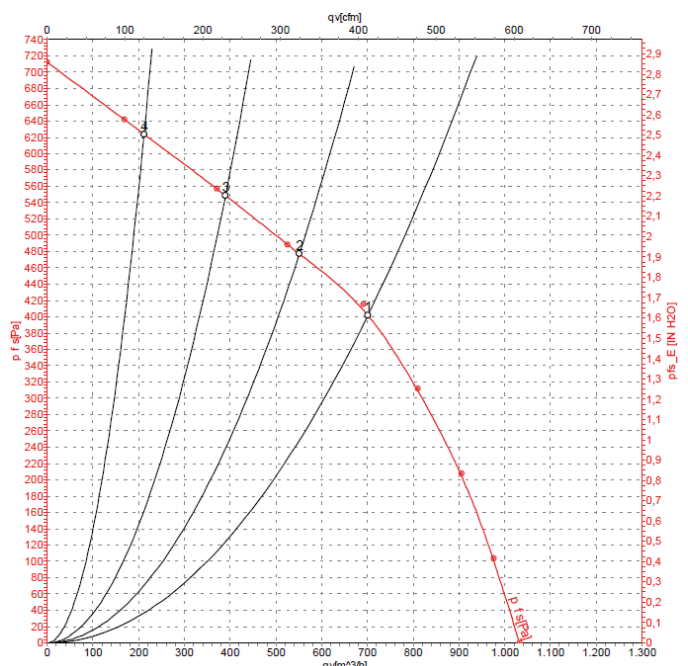
Nominal Data	Motor	Voltage	Frequency	Max. Air flow	Speed	Power consumption	Current draw	Capacitor capacity	Sound pressure level	Max. Back pressure	Perm. ambient temp.	Weight
Type	M2E068-EC	VAC	Hz	m3/h	rpm	W	A	μF/V	dB(A)	Pa	C	kg
D2E146AP4722		230	50	970	2050	300	1,31	8/400	63	440	-25..+30	4,4
		230	60	700	2550	330	1,45	8/400	68	625	-25..+25	

Subject to modification [Capacitor](#)  
[Pricelist](#) [280F00039](#)

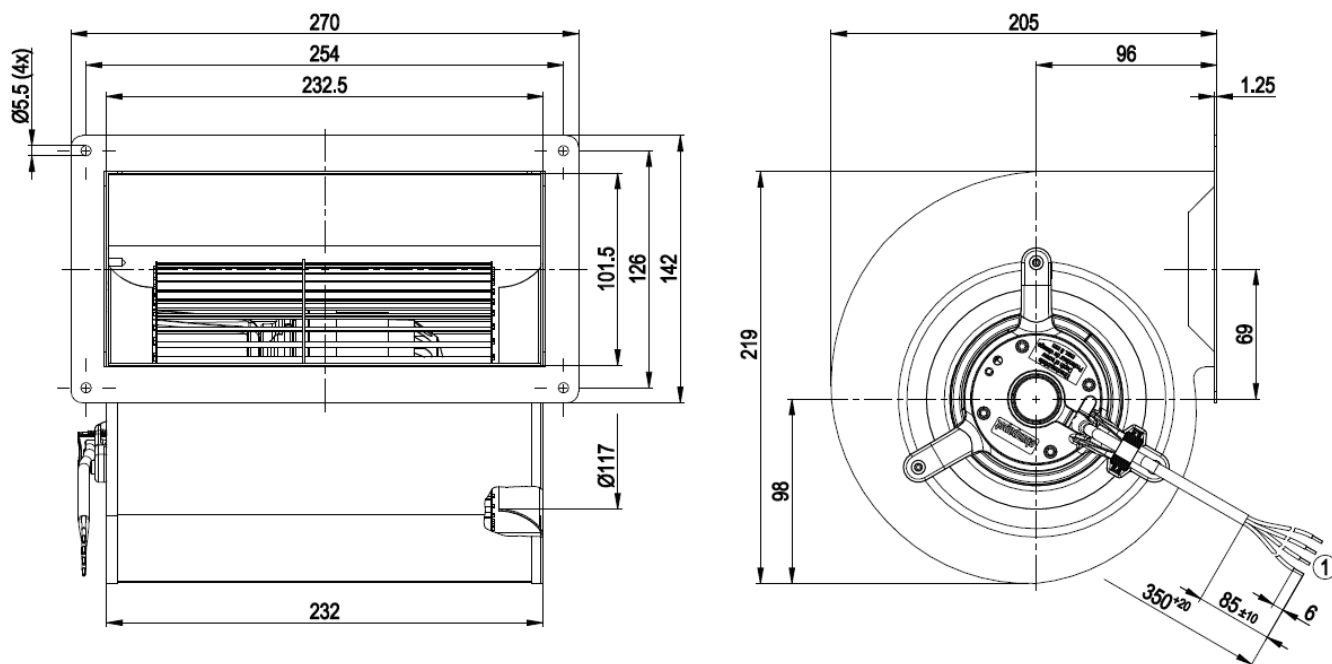
Pressure over air flow at 50Hz



Pressure over air flow at 60Hz

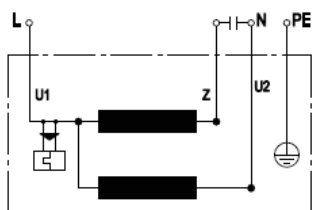


Drawing



- 1 Cable PVC 4G 0.5 mm<sup>2</sup>, 4x crimped splices

Connection illustration



U1	blue	Z	brown	U2	black
PE	green/yellow				

# D2E146HS9701 - Double inlet forward curved AC centrifugal fans



[Back to product overview:](#)



### Material/surface

- Rotor: unpainted
- Housing: PP plastic
- Impeller: PP plastic

### Technical description

- Direction of rotation: Left CCW, seen on rotor
- Protection: IP20
- Isolation: F
- Mounting position: Shaft horizontal or rotor on bottom; rotor on top on request
- Mode of operation: S1, 4 speed levels
- Bearings: Calotte bearings
- Motor protection: Thermal Overload Protector (TOP) - wired internally
- Cable: Axial, 350 mm

### Conformity with standards

- Norm: EN 60335-1; CE

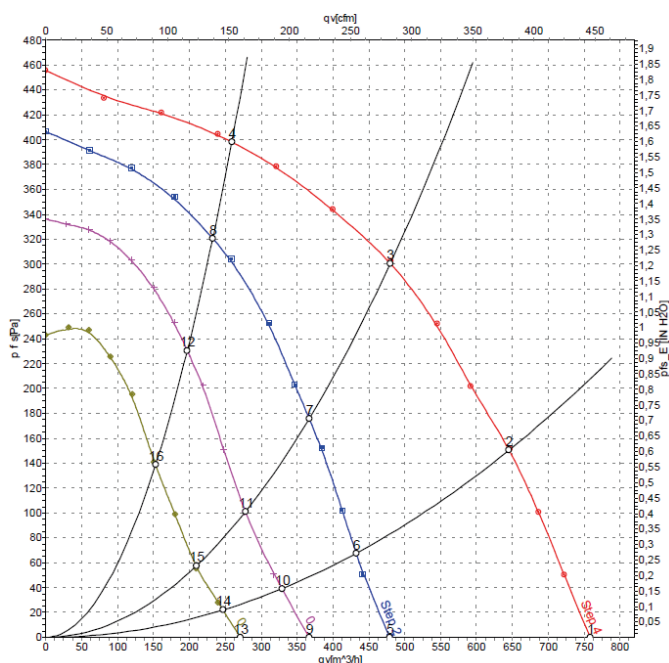
Go to	<a href="#">Pricelist</a>
Go to	<a href="#">Accessories</a>
Link to	<a href="#">ebm-papst operating instructions</a>
More at	<a href="http://www.ebmpapst.nl">www.ebmpapst.nl</a>

Nominal Data	Motor	Voltage	Frequency	Max. Air flow	Speed	Power consumption	Current draw	Capacitor capacity	Sound pressure level	Max. Back pressure	Perm. ambient temp.	Weight
Type	M2E068-DF	VAC	Hz	m3/h	rpm	W	A	μF/V	dB(A)	Pa	C	kg
D2E146HS9701		230	50	760	1350	195	0,86	5/400	57	400	-25..+45	3,0
		230	60	580	1750	215	0,94	5/400	57	460	-25..+40	

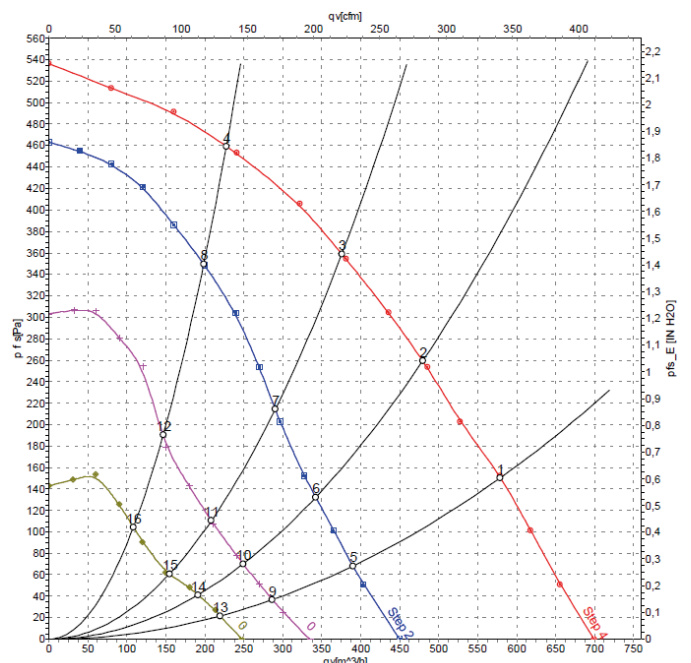
Subject to modification

<a href="#">Pricelist</a>	Capacitor integrated	Cable <a href="#">21956-4-1040</a>
---------------------------	----------------------	------------------------------------

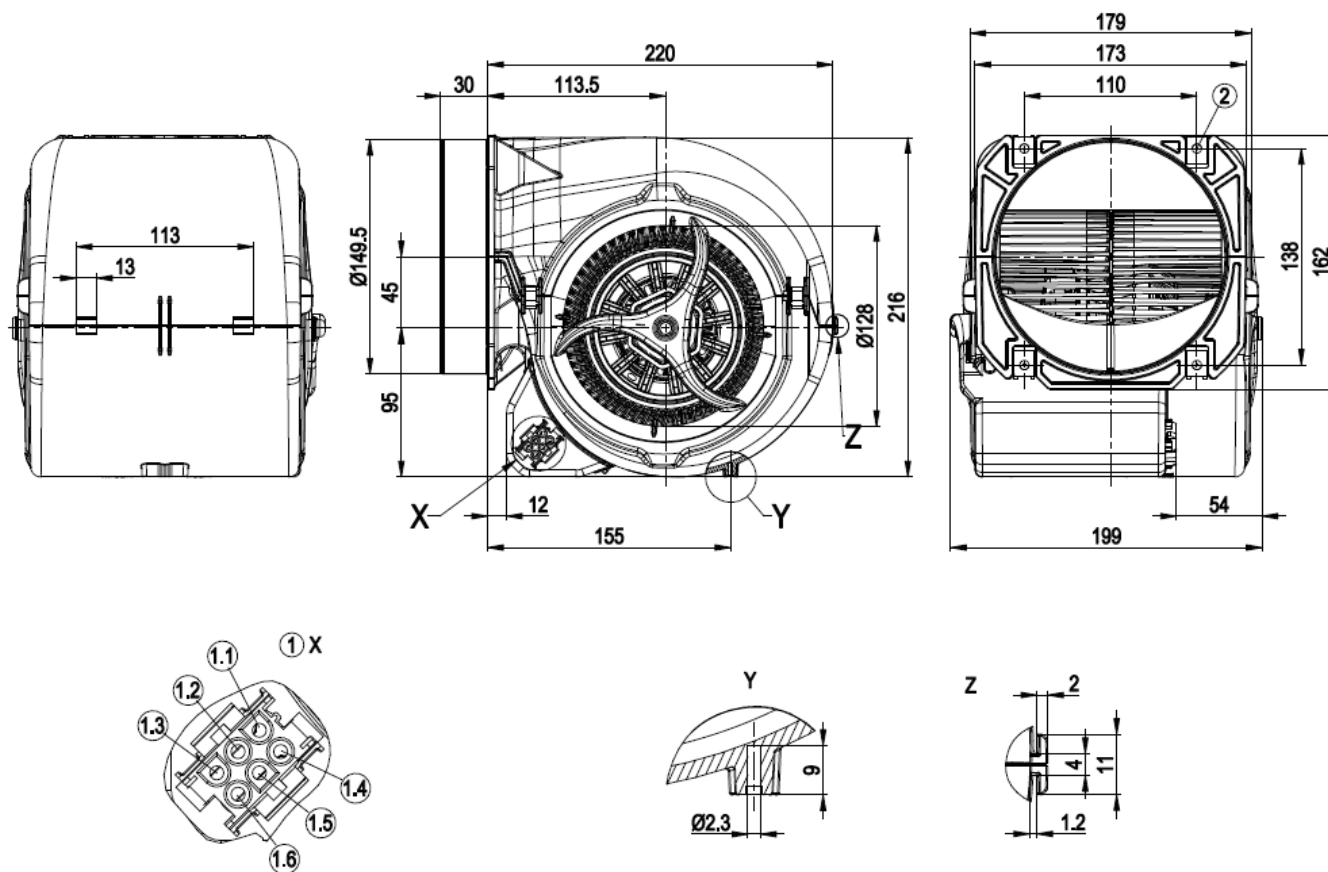
Pressure over air flow at 50Hz



Pressure over air flow at 60Hz

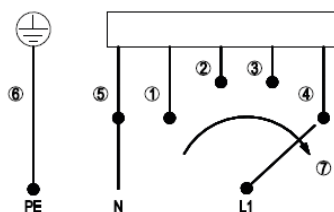


Drawing



1	Coded plug system: 6-pole connector housing tyco 926682-3, 6x plug pin tyco 926886-1
1.1	L = step 1
1.2	L = step 2
1.3	L = step 3
1.4	L = step 4
1.5	N
1.6	Protective earth
2	4x sheet metal nut for thread EN ISO 1478-ST4.8 (min. screw length 14.5 mm plus material thickness of mounting)

Connection illustration



The switch must interrupt the circuit when switching.

1	Step 1 (min.)	2	Step 2	3	Step 3
4	Step 4 (max.)	5	N	6	PE protective earth
7	Speed increasing				

# D2E146HT6702 - Double inlet forward curved AC centrifugal fans



[Back to product overview:](#)



### Material/surface

- Rotor: partly cast in aluminium
- Housing: PP plastic
- Impeller: sheet steel, hot-dip galvanized

### Technical description

- Direction of rotation: Left CCW, seen on rotor
- Protection: IP20
- Isolation: F
- Mounting position: Any
- Mode of operation: S1, 4 speed levels
- Bearings: Ball bearings
- Motor protection: Thermal Overload Protector (TOP) - wired internally
- Cable: Variable, 350 mm

### Conformity with standards

- Norm: EN 60335-2-31; CE

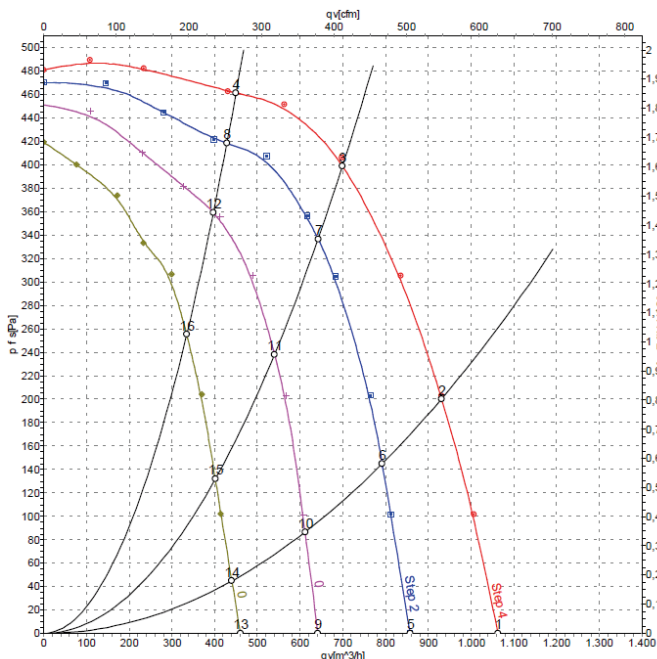
Go to	<a href="#">Pricelist</a>
Go to	<a href="#">Accessories</a>
Link to	<a href="#">ebm-papst operating instructions</a>
More at	<a href="#">www.ebmpapst.nl</a>

Nominal Data	Type	Motor	Voltage	Frequency	Max. Air flow	Speed	Power consumption	Current draw	Capacitor capacity	Sound pressure level	Max. Back pressure	Perm. ambient temp.	Weight
			VAC	Hz	m3/h	rpm	W	A	µF/V	dB(A)	Pa	C	kg
	D2E146HT6702	M2E068-EC	230	50	1060	1850	355	1,55	8/450	66	460	-25..+55	3,4
			230	60	875	2100	400	1,75	8/450	63	575	-25..+50	

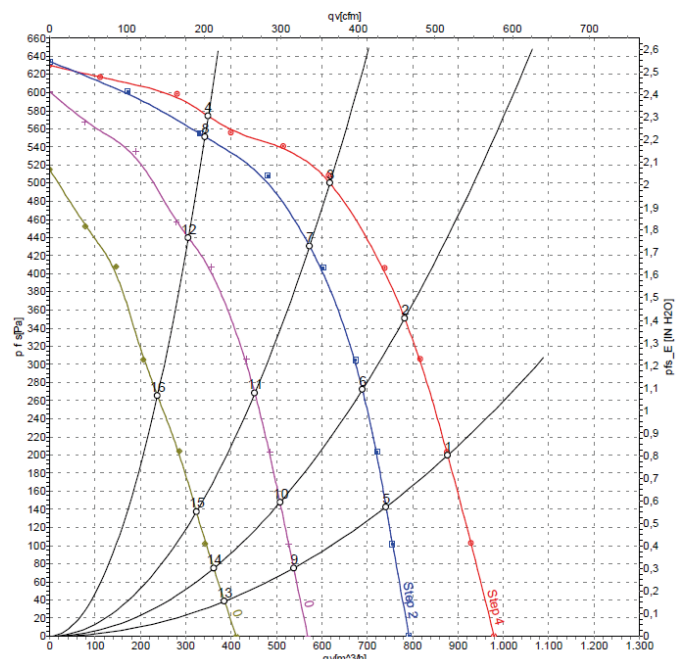
  

Subject to modification	Capacitor	Cable
<a href="#">Pricelist</a>	integrated	<a href="#">21958-4-1040</a>

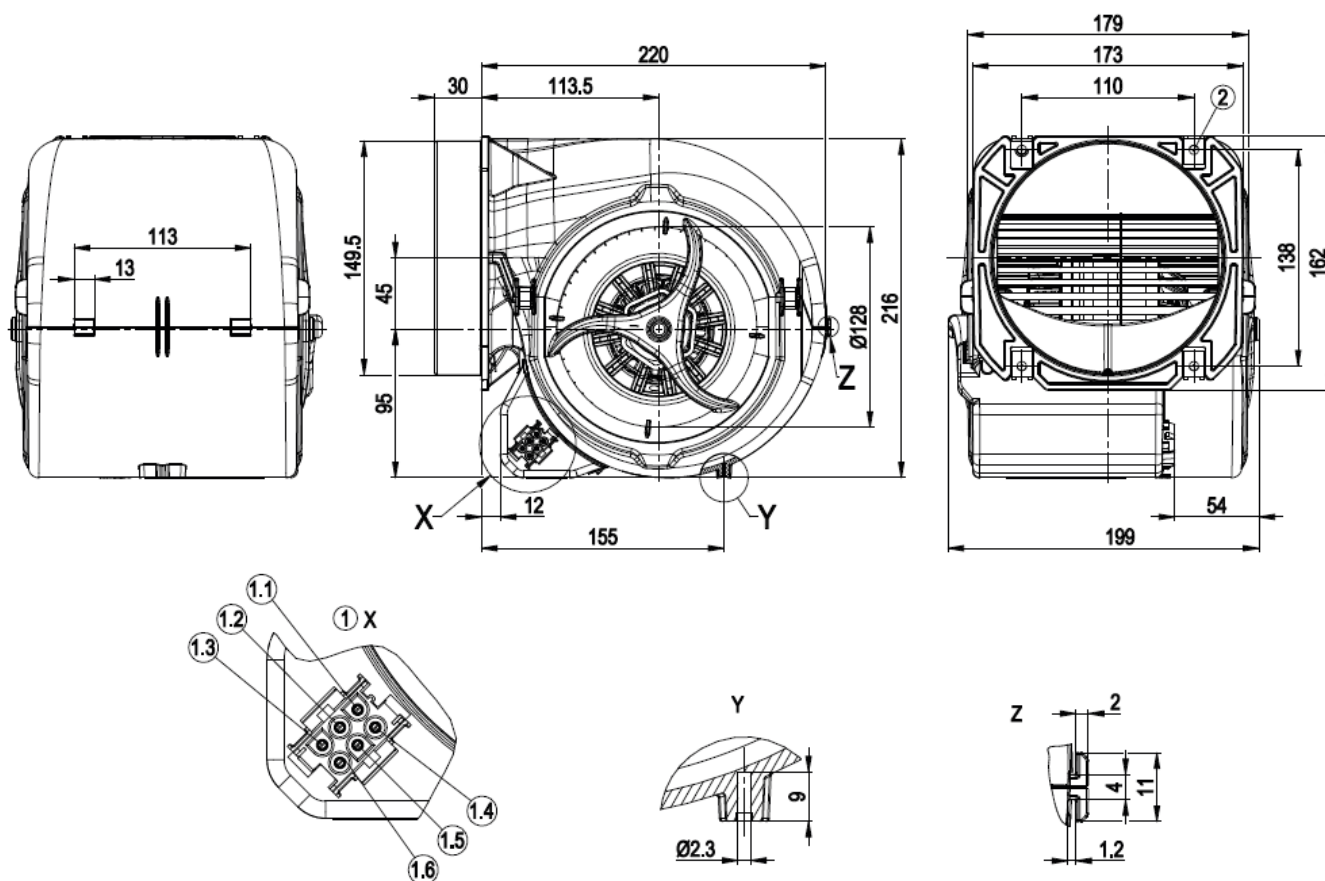
Pressure over air flow at 50Hz



Pressure over air flow at 60Hz

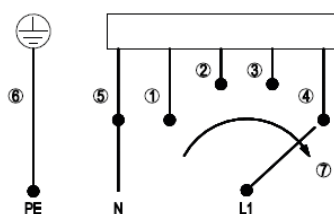


Drawing



1	Coded plug system AMP Universal Mate-N-Lok; connector housing: AMP 926 682-3; 6x plug pin AMP 926 886-1
1.1	L = step 1
1.2	L = step 2
1.3	L = step 3
1.4	L = step 4
1.5	N
1.6	Protective earth
2	4x sheet metal nut for thread EN ISO 1478-ST4.8 (min. screw length 14.5 mm plus material thickness of mounting)

Connection illustration



The switch must interrupt the circuit when switching.

1	Step 1 (min.)	2	Step 2	3	Step 3
4	Step 4 (max.)	5	N	6	PE protective earth
7	Speed increasing				

# D4E200CA0202 - Double inlet forward curved AC centrifugal fans

[Back to product overview:](#)



## Material/surface

- Rotor: painted black
- Housing: sheet steel, galvanized
- Impeller: sheet steel, galvanized

## Technical description

- Direction of rotation: Left CCW, seen on rotor
- Protection: IP54
- Isolation: B
- Mounting position: Any
- Mode of operation: Continuous (S1)
- Bearings: Ball bearings
- Motor protection: Thermal Overload Protector (TOP) - wired internally
- Cable: Variable, 600 mm

## Conformity with standards

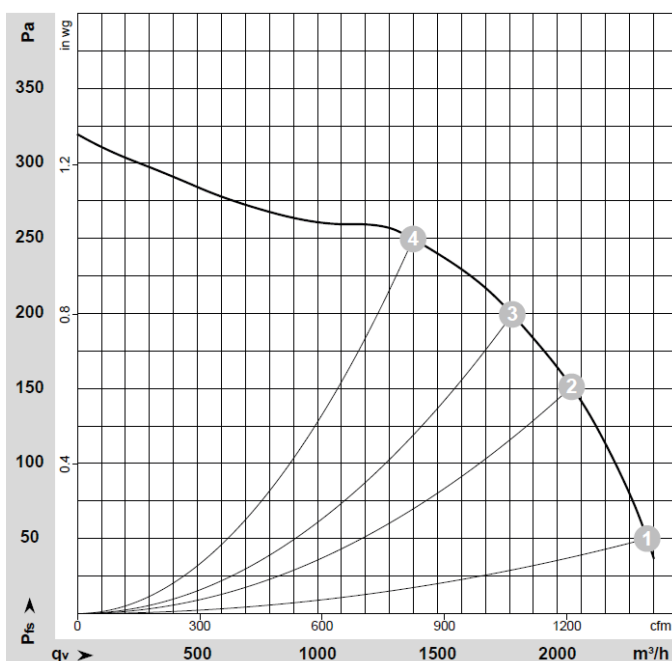
- Norm: EN 60335-1; CE

Go to	<a href="#">Pricelist</a>
Go to	<a href="#">Accessories</a>
Link to	<a href="#">ebm-papst operating instructions</a>
More at	<a href="#">www.ebmpapst.nl</a>

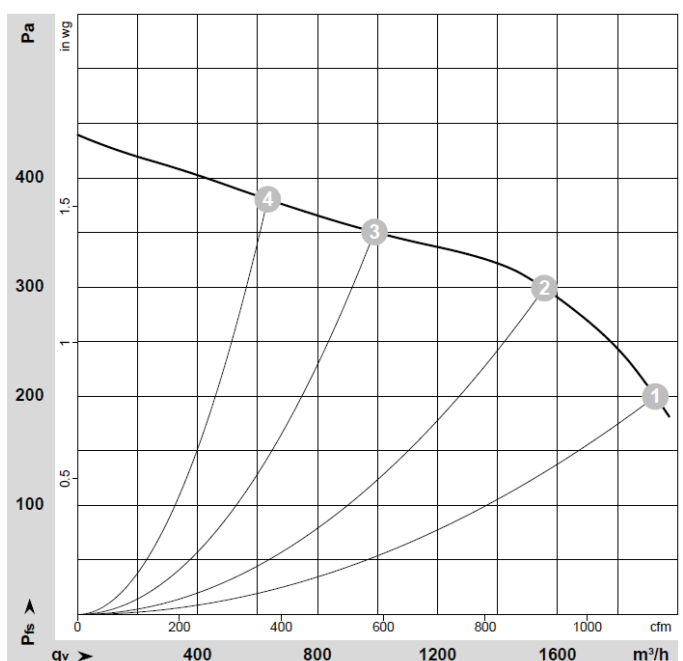
Nominal Data	Motor	Voltage	Frequency	Max. Air flow	Speed	Power consumption	Current draw	Capacitor capacity	Sound pressure level	Max. Back pressure	Perm. ambient temp.	Weight
Type	M4E068-LA	VAC	Hz	m3/h	rpm	W	A	µF/V	dB(A)	Pa	C	kg
D4E200CA0202		230	50	2375	1100	490	2,15	10/400	60	250	-25..+30	11,3
		230	60	1925	1250	525	2,30	10/400	60	380	-25..+30	

Subject to modification [Capacitor](#)  
[Pricelist](#) [280F00040](#)

Pressure over air flow at 50Hz

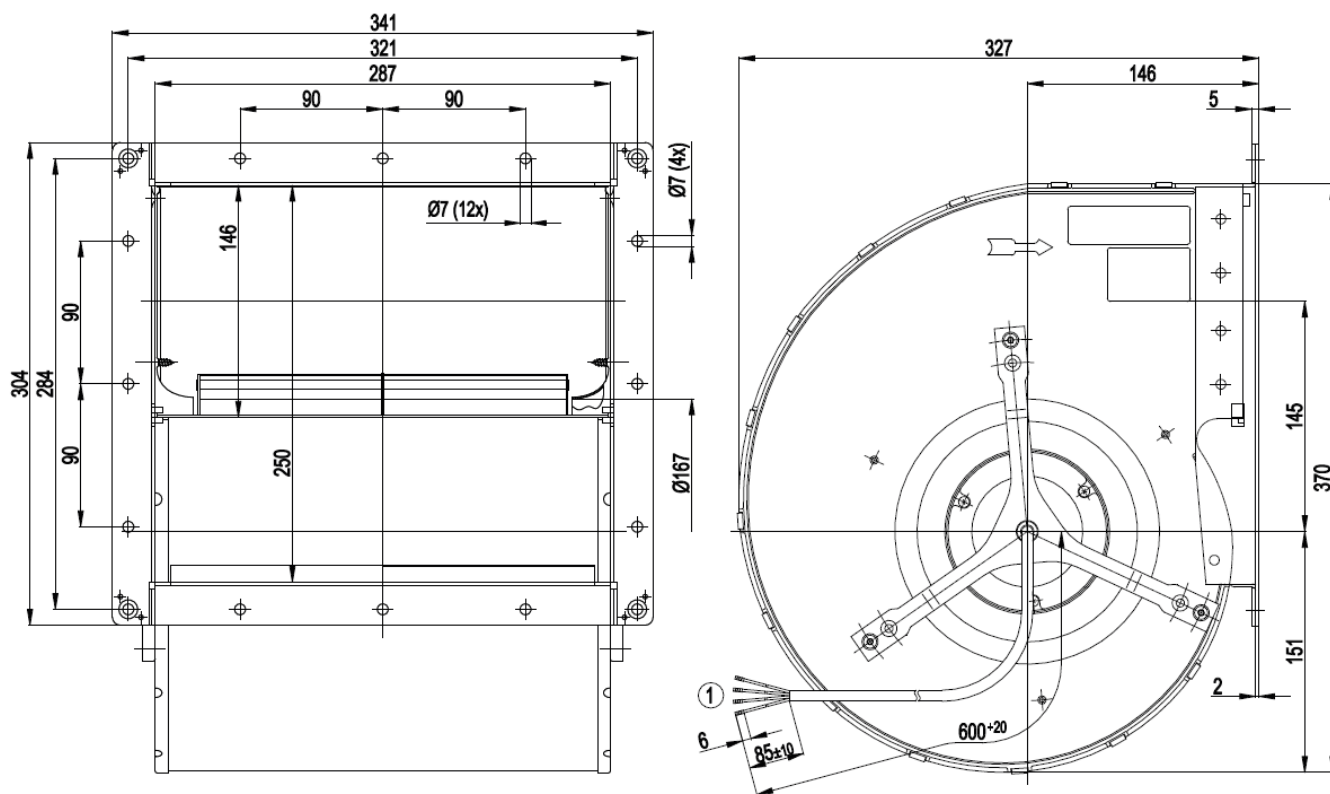


Pressure over air flow at 60Hz



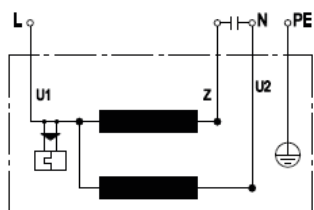


Drawing



- 1 Cable PVC 4G 0.5 mm<sup>2</sup>, 4x crimped splices

Connection illustration



U1	blue	Z	brown	U2	black
PE	green/yellow				

Spare parts

# D4E225CC0121 - Double inlet forward curved AC centrifugal fans

[Back to product overview:](#)



## Material/surface

- Rotor: unpainted
- Housing: sheet steel, galvanized
- Impeller: sheet steel, galvanized

## Technical description

- Direction of rotation: Left CCW, seen on rotor
- Protection: IP22
- Isolation: F
- Mounting position: Any
- Mode of operation: Continuous (S1)
- Bearings: Ball bearings
- Motor protection: Thermal Overload Protector (TOP) - wired internally
- Cable: Variable, 600 mm

## Conformity with standards

- Norm: EN 60335-1; CE

Go to	<a href="#">Pricelist</a>
Go to	<a href="#">Accessories</a>
Link to	<a href="#">ebm-papst operating instructions</a>
More at	<a href="http://www.ebmpapst.nl">www.ebmpapst.nl</a>

Nominal Data	Type	Motor	Voltage	Frequency	Max. Air flow	Speed	Power consumption	Current draw	Capacitor capacity	Sound pressure level	Max. Back pressure	Perm. ambient temp.	Weight
			VAC	Hz	m3/h	rpm	W	A	μF/V	dB(A)	Pa	C	kg
	D4E225CC0121	M4E074-LA	230	50	2975	1150	650	2,9	25/400	65	360	-25..+50	12

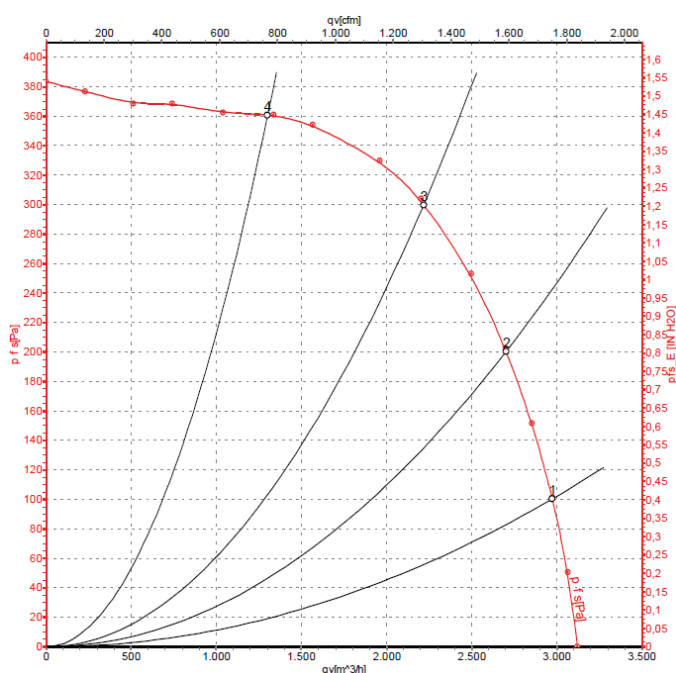
Subject to modification

[Pricelist](#)

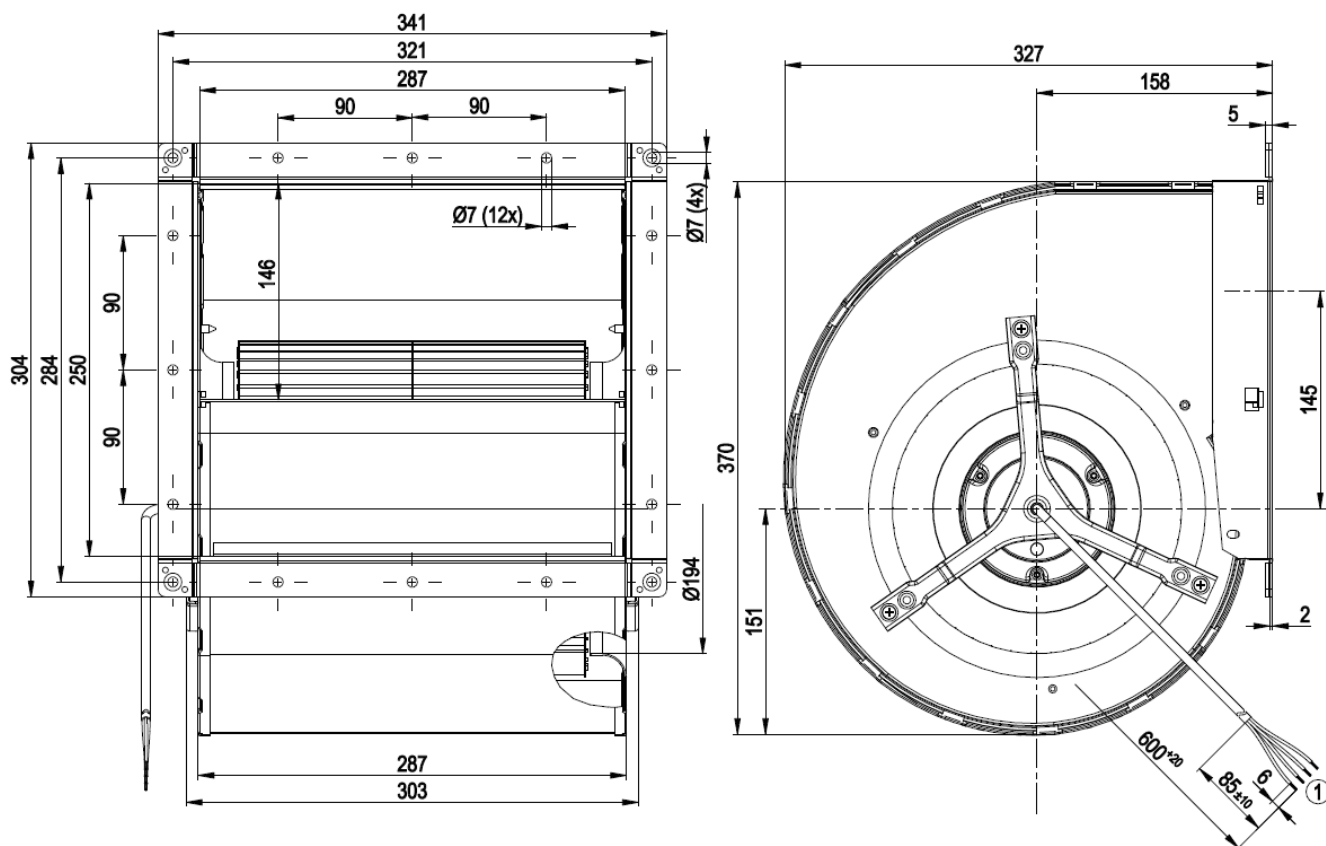
Capacitor

[280F00045](#)

## Pressure over air flow at 50Hz

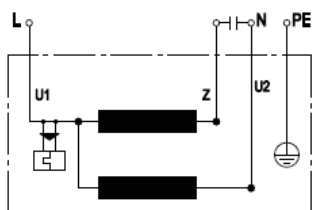


Drawing



1 Cable silicone 4G 0.5mm<sup>2</sup>, 4x crimped splices

Connection illustration



U1	blue	Z	brown	U2	black
PE	green/yellow				

# R2S175AB5601 - Backward curved

AC centrifugal fans



[Back to product overview:](#)



### Material/surface

- Rotor: painted black
- Impeller: PA 6 plastic, glass-fiber reinforced
- Number of blades: 7

### Technical description

- Direction of rotation: Right CW, seen on rotor
- Protection: IP20
- Isolation: B
- Mounting position: Any
- Mode of operation: Continuous (S1)
- Bearings: Ball bearings
- Motor protection: Thermal Overload Protector (TOP) - wired internally
- Cable: Axial, 400 mm

### Conformity with standards

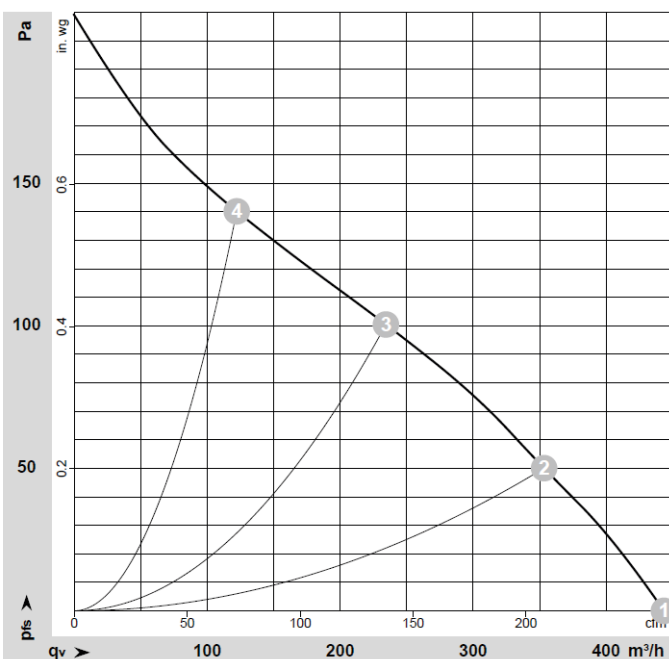
- Norm: EN 60335-1; CE

Go to	<a href="#">Pricelist</a>
Go to	<a href="#">Accessories</a>
Link to	<a href="#">ebm-papst operating instructions</a>
More at	<a href="http://www.ebmpapst.nl">www.ebmpapst.nl</a>

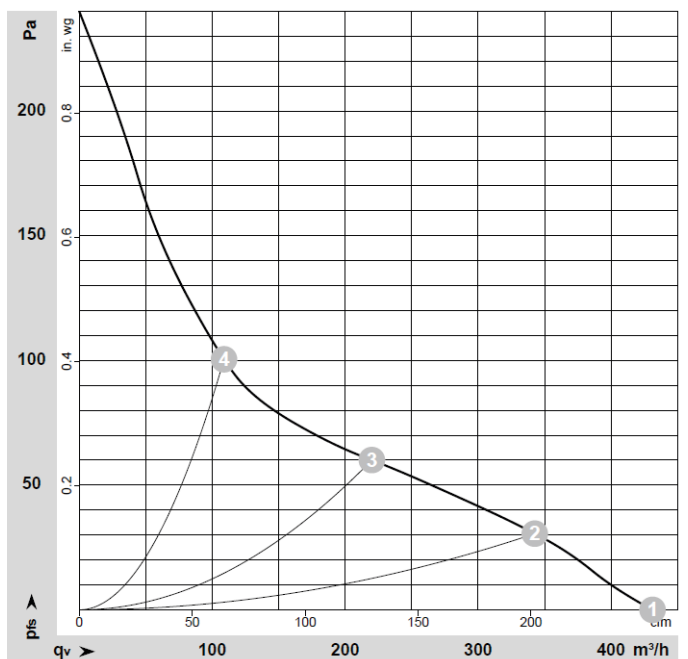
Nominal Data	Motor	Voltage	Frequency	Max. Air flow	Speed	Power consumption	Current draw	Capacitor capacity	Sound pressure level	Max. Back pressure	Perm. ambient temp.	Weight
Type	M2S052-CA	VAC	Hz	m3/h	rpm	W	A	µF/V	dB(A)	Pa	C	kg
R2S175AB5601		230	50	445	2350	53	0,33	-	61	140	-25..+40	0,9
		230	60	430	2300	51	0,29	-	60	100	-25..+55	

Subject to modification [Inlet ring](#)  
[Pricelist](#) [09576-2-4013](#)

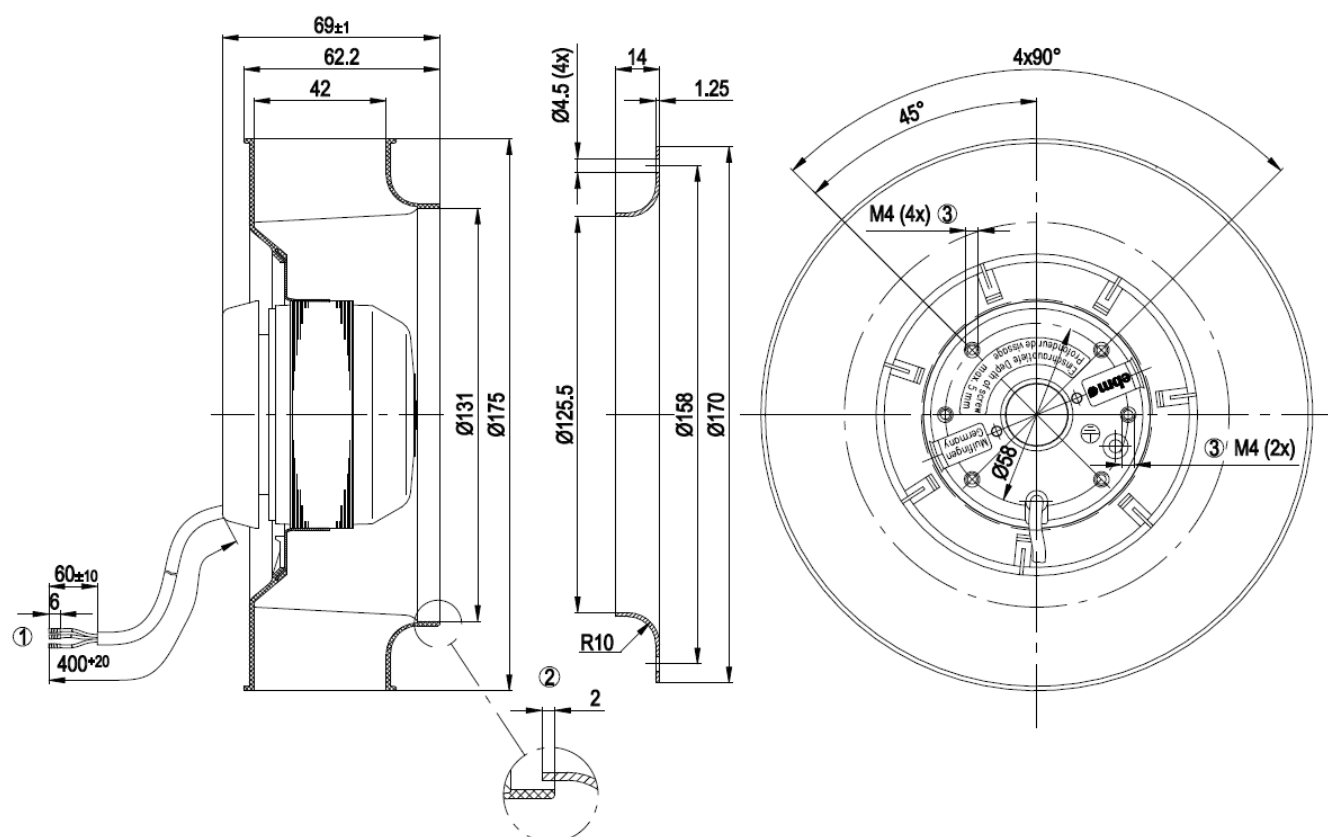
Pressure over air flow at 50Hz



Pressure over air flow at 60Hz

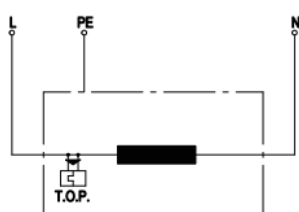


## Drawing



1	Cable PVC, 3 x crimped splices
2	Accessory part: Inlet ring 09576-2-4013, not included in scope of delivery
3	Max. clearance for screw 5 mm

## Connection illustration



L	= blue
PE	= green/yellow
N	= brown
TOP	= thermal overload protector

# R2E180AS7705 - Backward curved

## AC centrifugal fans

[Back to product overview:](#)



### Material/surface

- Rotor: painted black
- Impeller: PA plastic, black
- Number of blades: 16

### Technical description

- Direction of rotation: Right CW, seen on rotor
- Protection: IP44
- Isolation: B
- Condensate discharges: On rotor side
- Mounting position: Shaft horizontal or rotor on bottom; rotor on top on request
- Mode of operation: Continuous (S1)
- Bearings: Ball bearings
- Motor protection: Thermal Overload Protector (TOP) - wired internally
- Cable: Variable, 450 mm

### Conformity with standards

- Norm: EN 60335-1; CE

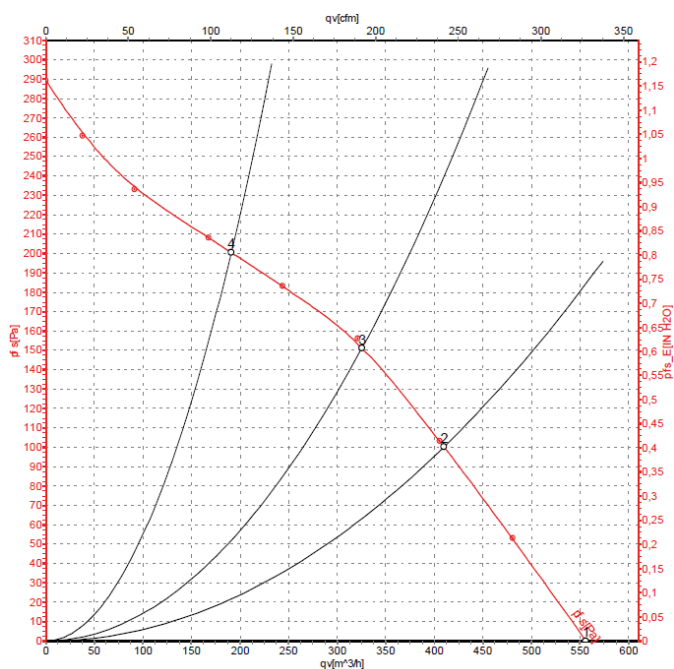
Go to	<a href="#">Pricelist</a>
Go to	<a href="#">Accessories</a>
Link to	<a href="#">ebm-papst operating instructions</a>
More at	<a href="#">www.ebmpapst.nl</a>

Nominal Data	Type	Motor	Voltage VAC	Frequency Hz	Max. Air flow m3/h	Speed rpm	Power consumption W	Current draw A	Capacitor capacity $\mu\text{F/V}$	Sound pressure level dB(A)	Max. Back pressure Pa	Perm. ambient temp. C	Weight kg
	R2E180AS7705	M2E068-BF	230	50	555	2300	82	0,36	2/450	63	200	-25..+40	1,37
			230	60	555	2300	100	0,45	2/450	63	250	-25..+35	

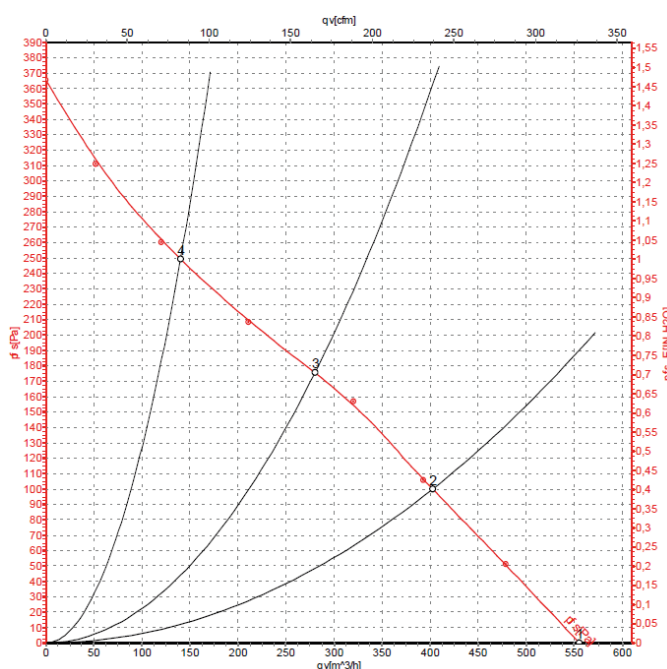
  

Subject to modification	Capacitor	Inlet ring
<a href="#">Pricelist</a>	<a href="#">280F00033</a>	<a href="#">09576-2-4013</a>

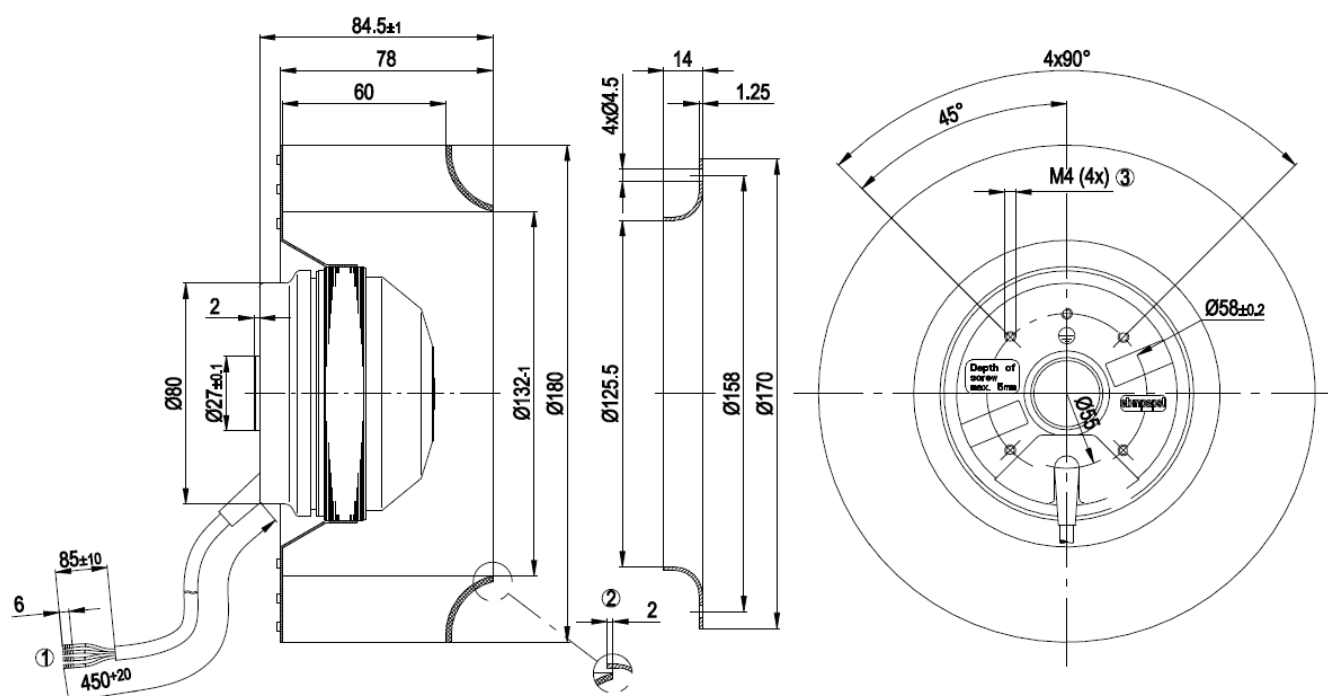
Pressure over air flow at 50Hz



Pressure over air flow at 60Hz

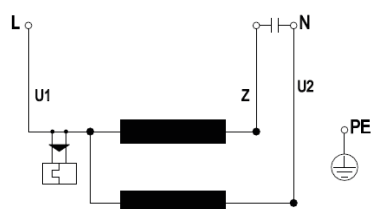


## Drawing



1	Cable PVC 4x 0.5 mm <sup>2</sup> , 4x crimped splices
2	Accessory part: inlet ring 09576-2-4013, not included in scope of delivery
3	Max. clearance for screw 5 mm

## Connection illustration



U1	blue	Z	brown	U2	black
PE	green/yellow				

# R2E190RA2605 Radical - Backward curved

## AC centrifugal fans



[Back to product overview:](#)



### Material/surface

- Rotor: painted black
- Impeller: PA plastic, black
- Number of blades: 7

### Technical description

- Direction of rotation: Right CW, seen on rotor
- Protection: IP44
- Isolation: B
- Condensate discharges: On rotor side
- Mounting position: Shaft horizontal or rotor on bottom; rotor on top on request
- Mode of operation: Continuous (S1)
- Bearings: Ball bearings
- Motor protection: Thermal Overload Protector (TOP) - wired internally
- Cable: Variable, 450 mm

### Conformity with standards

- Norm: EN 60335-1; CE

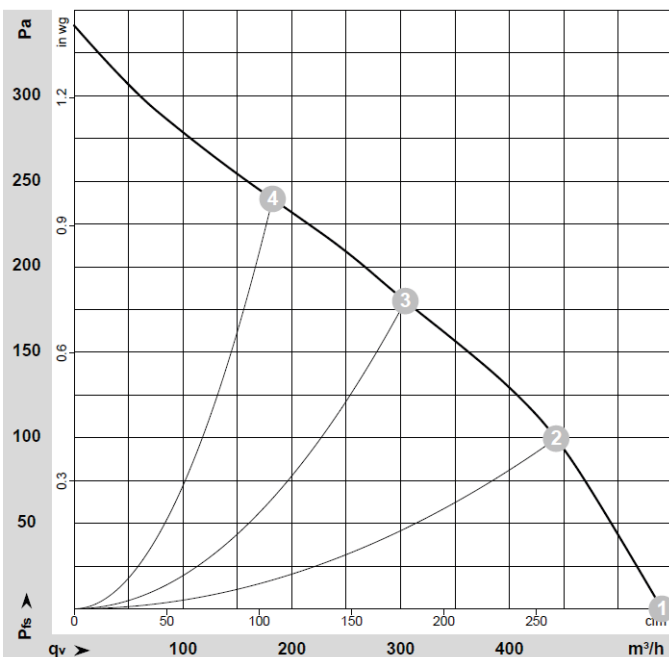
Go to	<a href="#">Pricelist</a>
Go to	<a href="#">Accessories</a>
Link to	<a href="#">ebm-papst operating instructions</a>
More at	<a href="#">www.ebmpapst.nl</a>

Nominal Data	Motor	Voltage	Frequency	Max. Air flow	Speed	Power consumption	Current draw	Capacitor capacity	Sound pressure level	Max. Back pressure	Perm. ambient temp.	Weight
Type	M2E068-BF	VAC	Hz	m3/h	rpm	W	A	μF/V	dB(A)	Pa	C	kg
R2E190RA2605		230	50	540	2350	52	0,23	1,5/400	66	240	-25..+65	1,3
		230	60	590	2500	65	0,29	1,5/400	68	300	-25..+75	

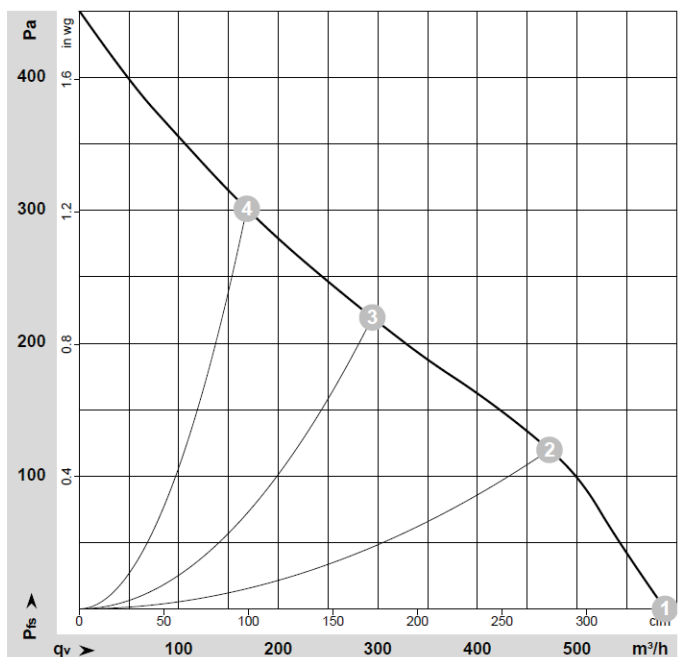
  

Subject to modification	Capacitor	Inlet ring
<a href="#">Pricelist</a>	<a href="#">280F00032</a>	<a href="#">09576-2-4013</a>

Pressure over air flow at 50Hz

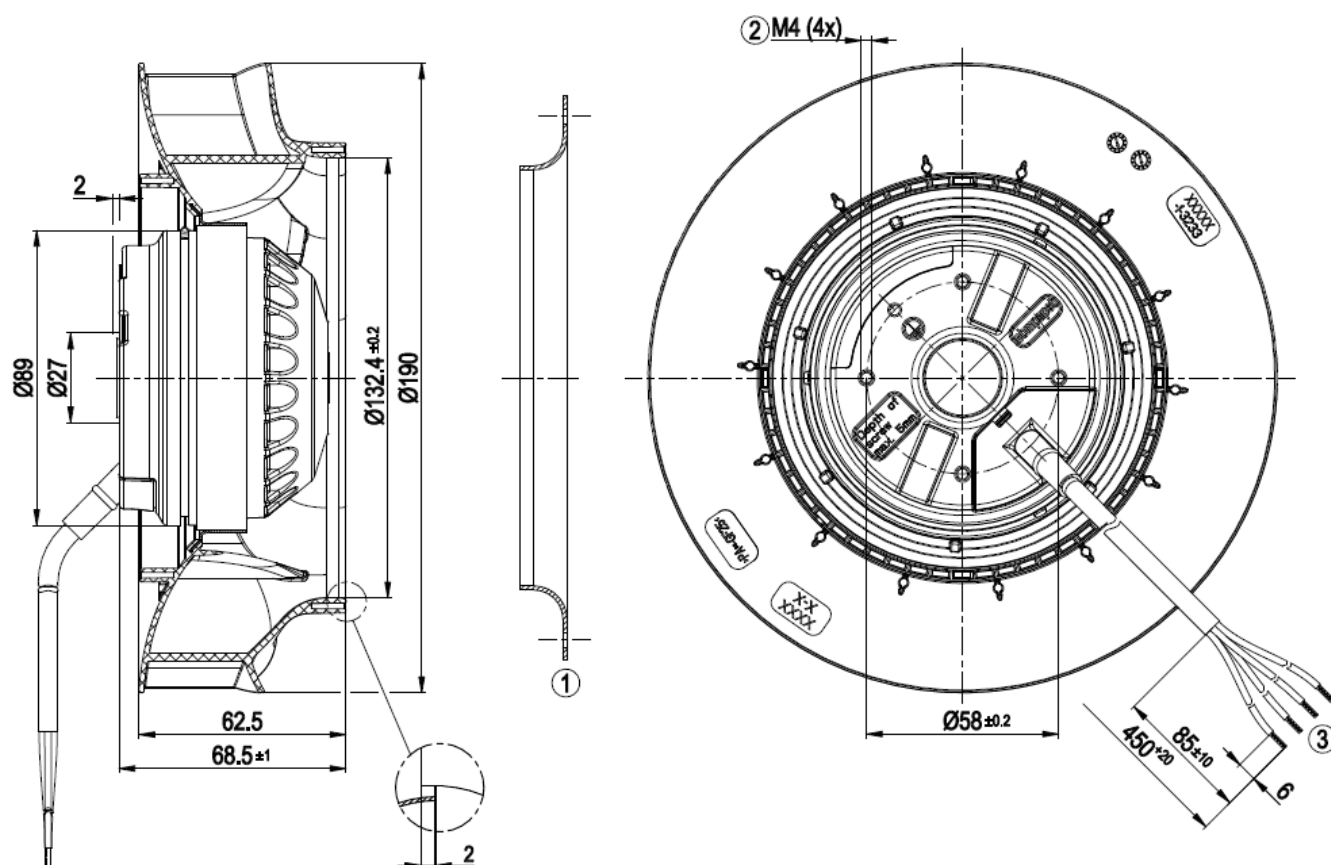


Pressure over air flow at 60Hz



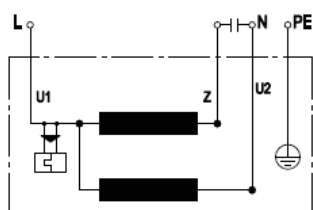


## Drawing



- |   |   |
|---|---|
| 1 | Accessory part: inlet ring 09576-2-4013 not included in scope of delivery |
| 2 | Max. clearance for screw 5 mm   |
| 3 | Cable PVC 4G 0.5 mm <sup>2</sup> , 4x crimped splices                     |

## Connection illustration



U1	blue	Z	brown	U2	black
PE	green/yellow				

# R2E190AO2605 - Backward curved

AC centrifugal fans



[Back to product overview:](#)



### Material/surface

- Rotor: painted black
- Impeller: PA 6 plastic, glass-fiber reinforced
- Number of blades: 7

### Technical description

- Direction of rotation: Right CW, seen on rotor
- Protection: IP44
- Isolation: B
- Condensate discharges: On rotor side
- Mounting position: Shaft horizontal or rotor on bottom; rotor on top on request
- Mode of operation: Continuous (S1)
- Bearings: Ball bearings
- Motor protection: Thermal Overload Protector (TOP) - wired internally
- Cable: Variable, 450 mm

### Conformity with standards

- Norm: EN 60335-1; CE

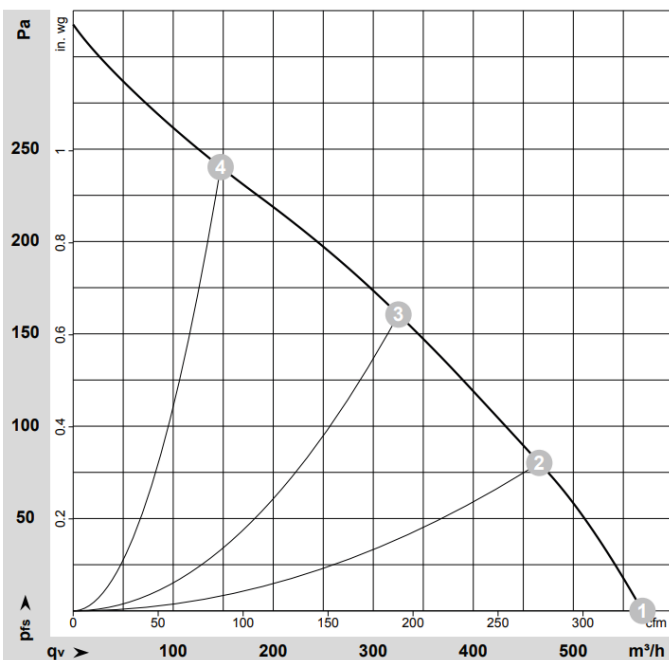
Go to	<a href="#">Pricelist</a>
Go to	<a href="#">Accessories</a>
Link to	<a href="#">ebm-papst operating instructions</a>
More at	<a href="#">www.ebmpapst.nl</a>

Nominal Data	Motor	Voltage	Frequency	Max. Air flow	Speed	Power consumption	Current draw	Capacitor capacity	Sound pressure level	Max. Back pressure	Perm. ambient temp.	Weight
Type		VAC	Hz	m3/h	rpm	W	A	μF/V	dB(A)	Pa	C	kg
R2E190AO2605	M2E068-BF	230	50	570	2500	58	0,26	2/400	62	240	-25..+50	1,2
		230	60	620	2700	75	0,34	2/400	64	300	-25..+55	

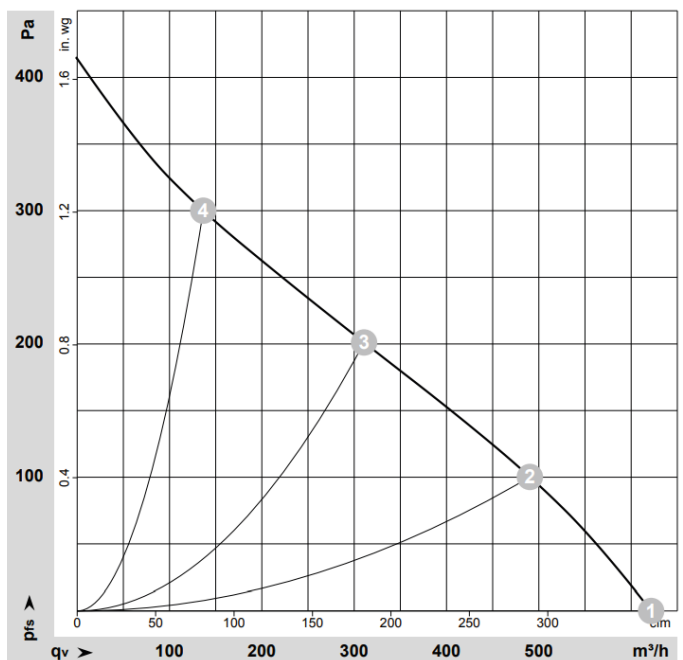
  

Subject to modification	Capacitor	Inlet ring
<a href="#">Pricelist</a>	<a href="#">280F00033</a>	<a href="#">09576-2-4013</a>

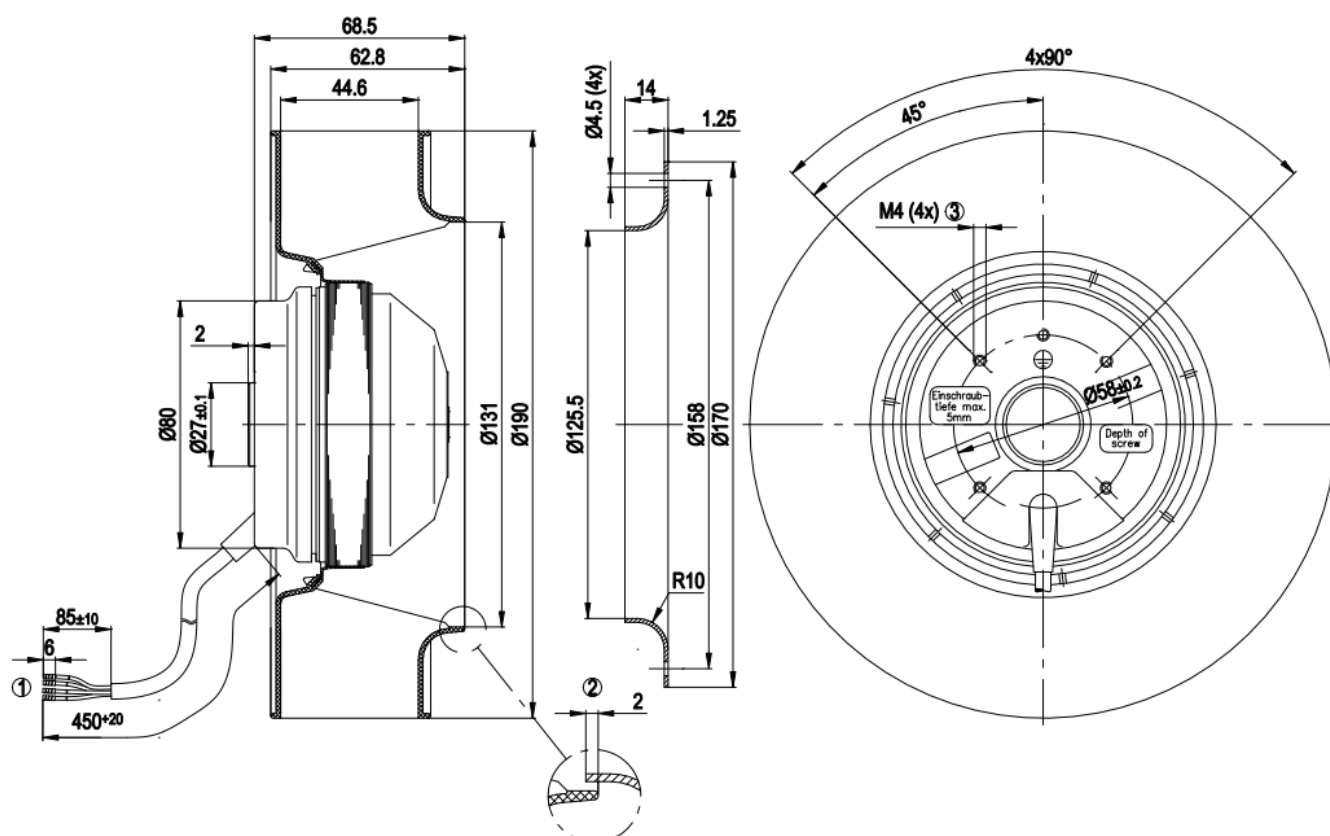
Pressure over air flow at 50Hz



Pressure over air flow at 60Hz



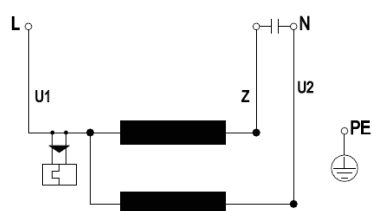
## Drawing



1	Cable PVC, 4x crimped splices
2	Accessory part: inlet ring 09576-2-4013, not included in scope of delivery
3	Max. clearance for screw 5 mm

Spare parts

## Connection illustration



U1	blue	Z	brown	U2	black
PE	green/yellow				

# R2E220RA3801 - Backward curved

AC centrifugal fans



[Back to product overview:](#)



### Material/surface

- Rotor: painted black
- Impeller: PA 6 plastic, glass-fiber reinforced
- Number of blades: 11

### Technical description

- Direction of rotation: Right CW, seen on rotor
- Protection: IP44
- Isolation: B
- Condensate discharges: On rotor side
- Mounting position: Shaft horizontal or rotor on bottom; rotor on top on request
- Mode of operation: Continuous (S1)
- Bearings: Ball bearings
- Motor protection: Thermal Overload Protector (TOP) - wired internally
- Cable: Variable, 450 mm

### Conformity with standards

- Norm: EN 60335-1; CE

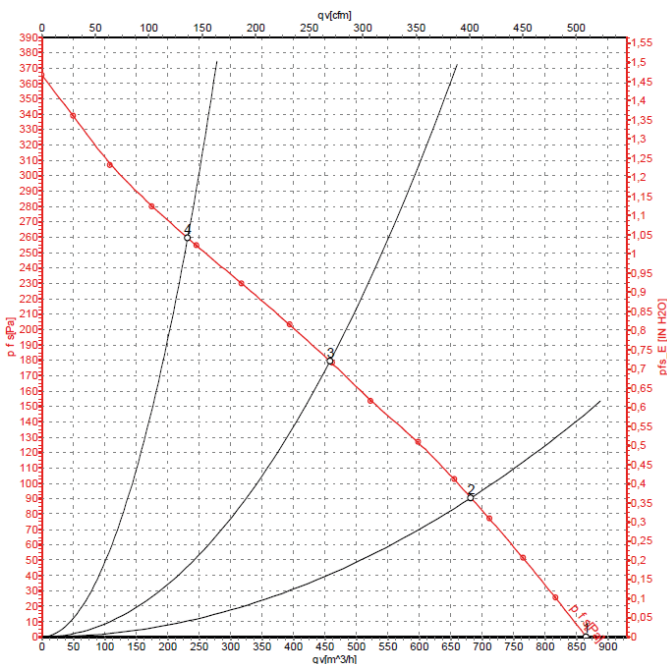
Go to	<a href="#">Pricelist</a>
Go to	<a href="#">Accessories</a>
Link to	<a href="#">ebm-papst operating instructions</a>
More at	<a href="#">www.ebmpapst.nl</a>

Nominal Data	Motor	Voltage	Frequency	Max. Air flow	Speed	Power consumption	Current draw	Capacitor capacity	Sound pressure level	Max. Back pressure	Perm. ambient temp.	Weight
Type	M2E068-BF	VAC	Hz	m3/h	rpm	W	A	μF/V	dB(A)	Pa	C	kg
R2E220RA3801	M2E068-BF	230	50	865	2600	85	0,38	3/400	73	260	-25..+40	1,3
		230	60	895	2700	90	0,40	2/400	74	220	-25..+40	

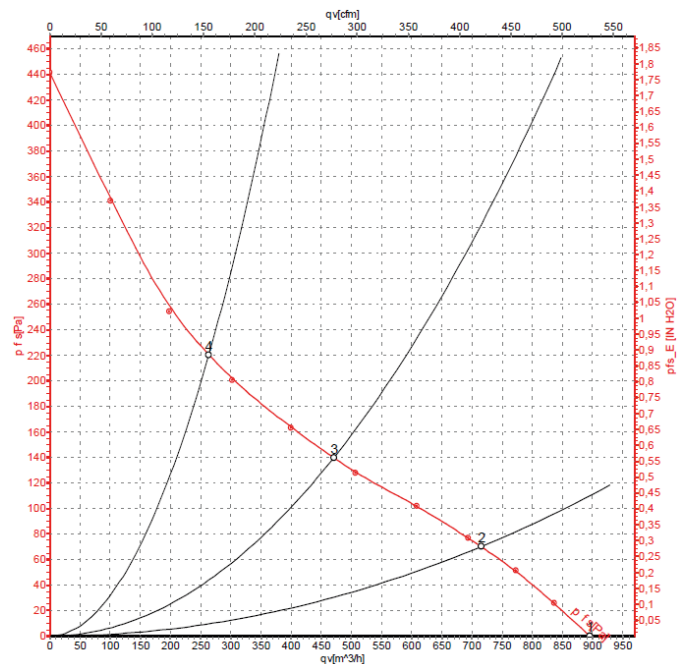
  

Subject to modification	Capacitor	Inlet ring
<a href="#">Pricelist</a>	<a href="#">280F00035</a>	<a href="#">09609-2-4013</a>

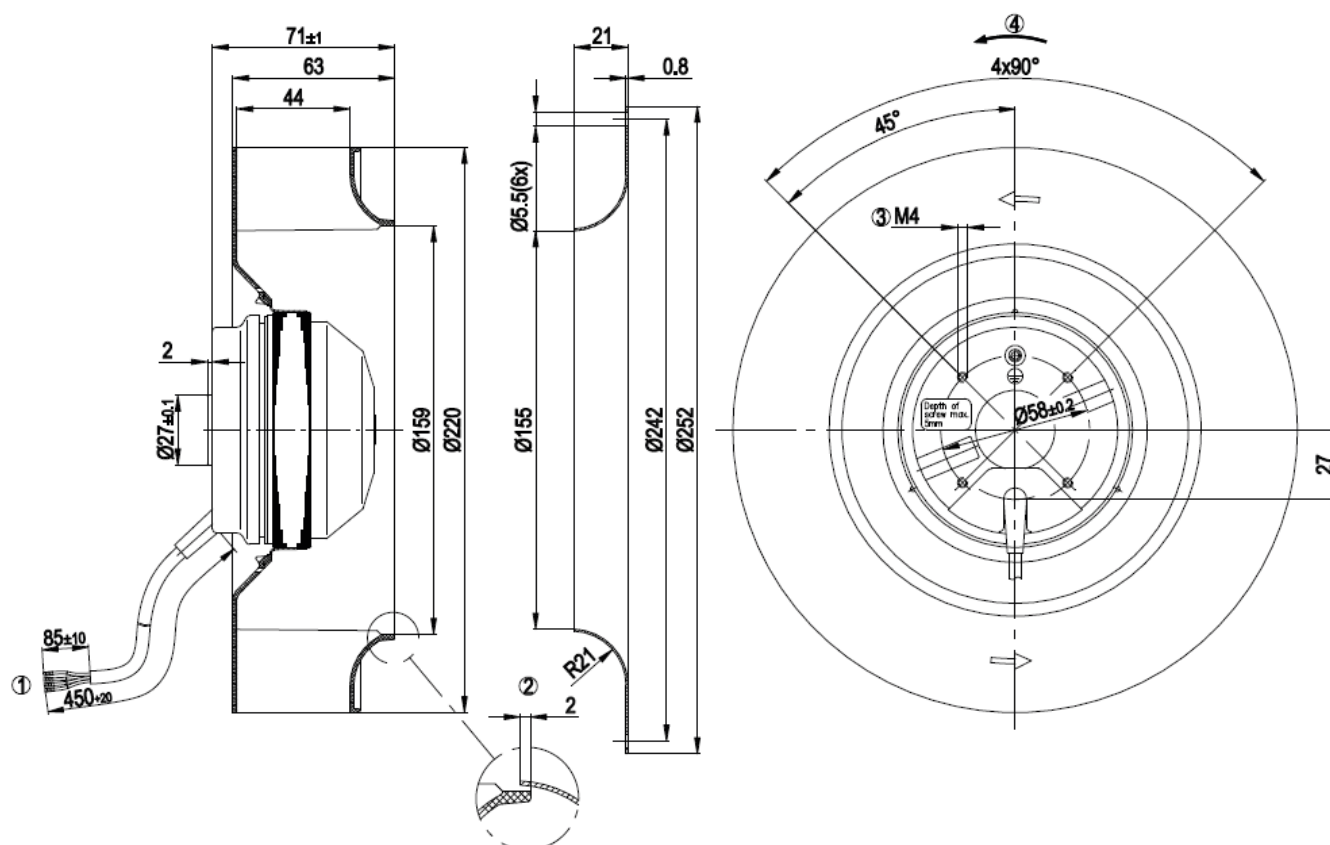
Pressure over air flow at 50Hz



Pressure over air flow at 60Hz

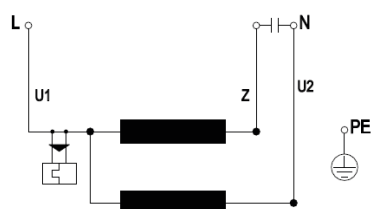


## Drawing



1	Cable PVC, 4x crimped splices
2	Accessory part: inlet ring 09609-2-4013, not included in scope of delivery
3	Max. clearance for screw 5 mm
4	Direction of rotation clockwise, viewed toward rotor

## Connection illustration



U1	blue	Z	brown	U2	black
PE	green/yellow				

# R2E225AT5105 - Backward curved

## AC centrifugal fans



[Back to product overview:](#)



### Material/surface

- Rotor: painted black
- Impeller: PA 6 plastic, glass-fiber reinforced
- Number of blades: 11

### Technical description

- Direction of rotation: Right CW, seen on rotor
- Protection: IP44
- Isolation: B
- Condensate discharges: On rotor side
- Mounting position: Shaft horizontal or rotor on bottom; rotor on top on request
- Mode of operation: Continuous (S1)
- Bearings: Ball bearings
- Motor protection: Thermal Overload Protector (TOP) - wired internally
- Cable: Variable, 450 mm

### Conformity with standards

- Norm: EN 60335-1; CE

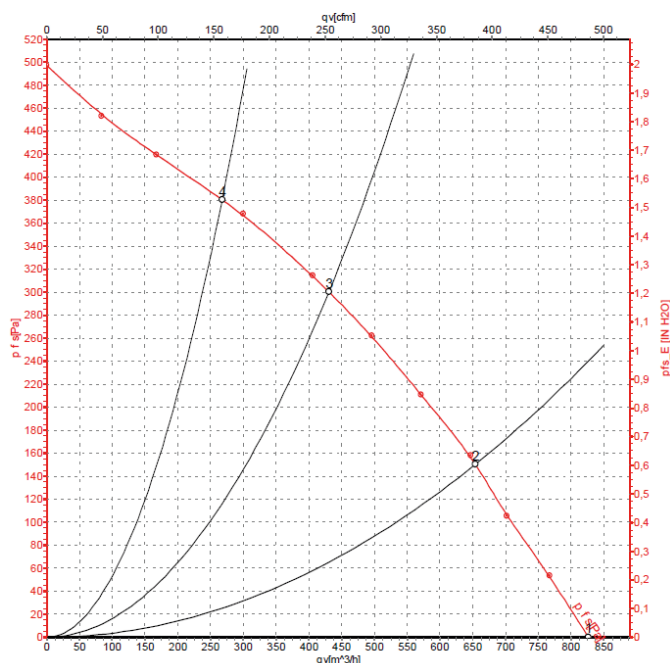
Go to	<a href="#">Pricelist</a>
Go to	<a href="#">Accessories</a>
Link to	<a href="#">ebm-papst operating instructions</a>
More at	<a href="http://www.ebmpapst.nl">www.ebmpapst.nl</a>

Nominal Data	Motor	Voltage	Frequency	Max. Air flow	Speed	Power consumption	Current draw	Capacitor capacity	Sound pressure level	Max. Back pressure	Perm. ambient temp.	Weight
Type	VAC	Hz	m3/h	rpm	W	A	μF/V	dB(A)	Pa	C	kg	
R2E225AT5105	M2E068-DF	230	50	825	2650	105	0,46	3/450	70	380	-25..+55	2,1
		230	60	925	2950	145	0,64	3/450	72	500	-25..+55	

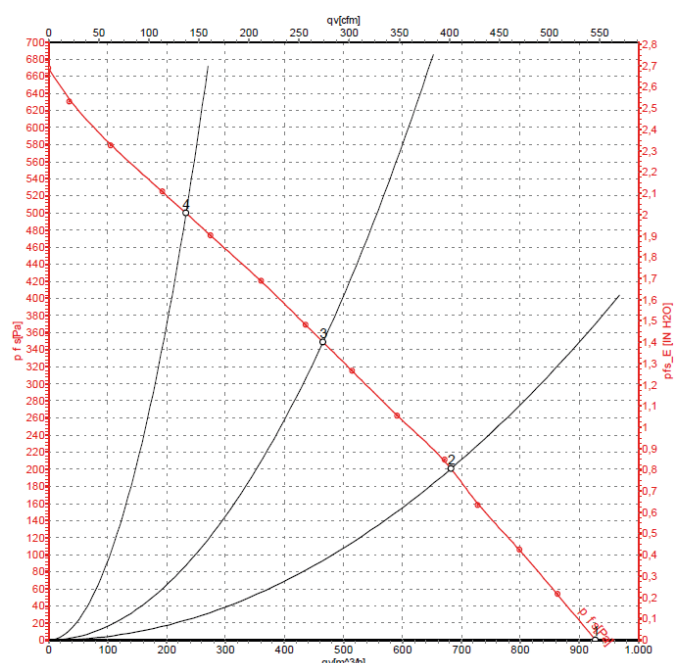
  

Subject to modification	Capacitor	Inlet ring
<a href="#">Pricelist</a>	<a href="#">280F00035</a>	<a href="#">96358-2-4013</a>

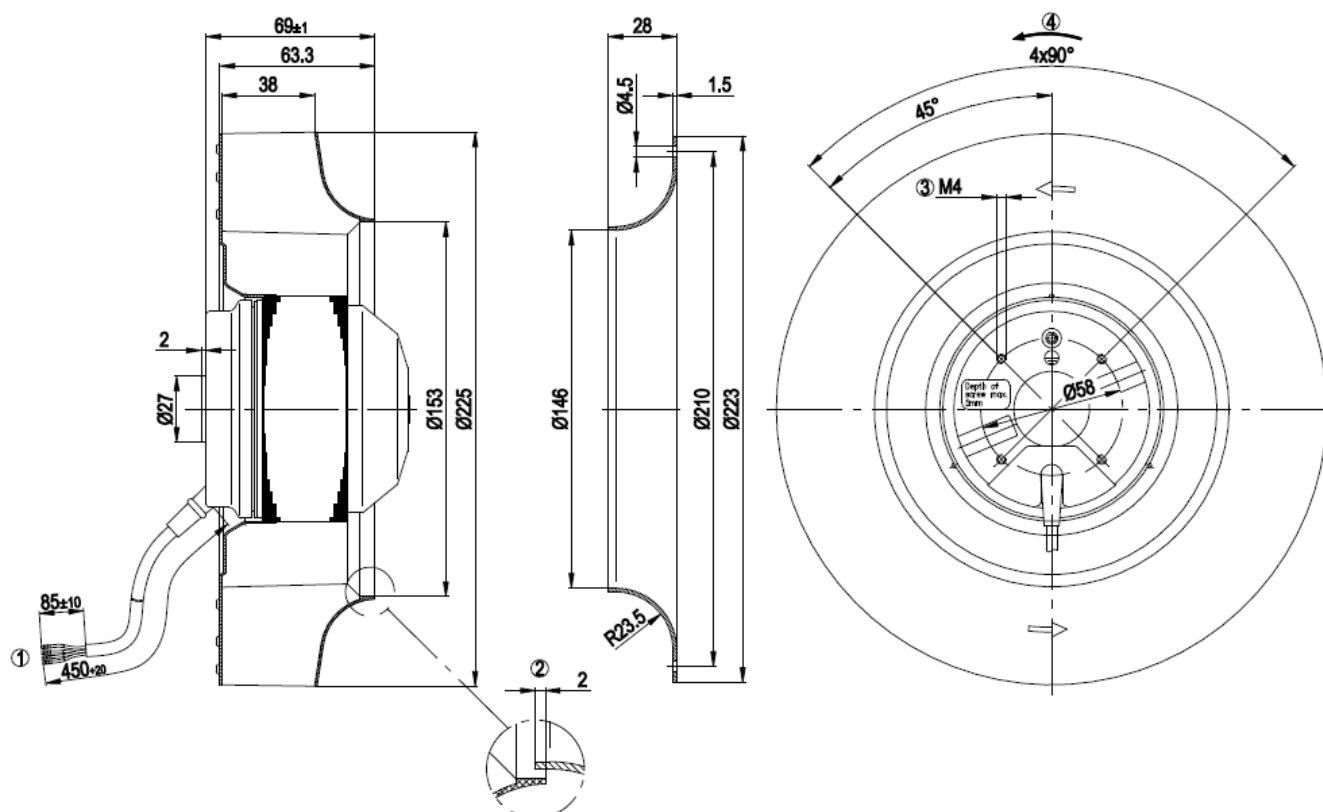
Pressure over air flow at 50Hz



Pressure over air flow at 60Hz

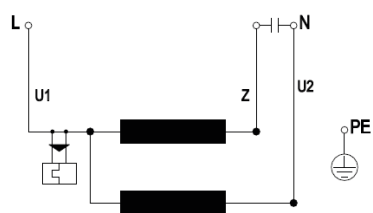


Drawing



1	Cable PVC, 4x crimped splices
2	Accessory part: inlet ring 96358-2-4013, not included in scope of delivery
3	Max. clearance for screw 5 mm
4	Direction of rotation clockwise, viewed toward rotor

Connection illustration



U1	blue	Z	brown	U2	black
PE	green/yellow				

Spare parts

# R2E225BD9209 - Backward curved

AC centrifugal fans



[Back to product overview:](#)



### Material/surface

- Rotor: painted black
- Impeller: PA 6 plastic, glass-fiber reinforced
- Number of blades: 7

### Technical description

- Direction of rotation: Right CW, seen on rotor
- Protection: IP44
- Isolation: F
- Condensate discharges: On rotor side
- Mounting position: Shaft horizontal or rotor on bottom; rotor on top on request
- Mode of operation: Continuous (S1)
- Bearings: Ball bearings
- Motor protection: Thermal Overload Protector (TOP) - wired internally
- Cable: Variable, 450 mm

### Conformity with standards

- Norm: EN 60335-1; CE

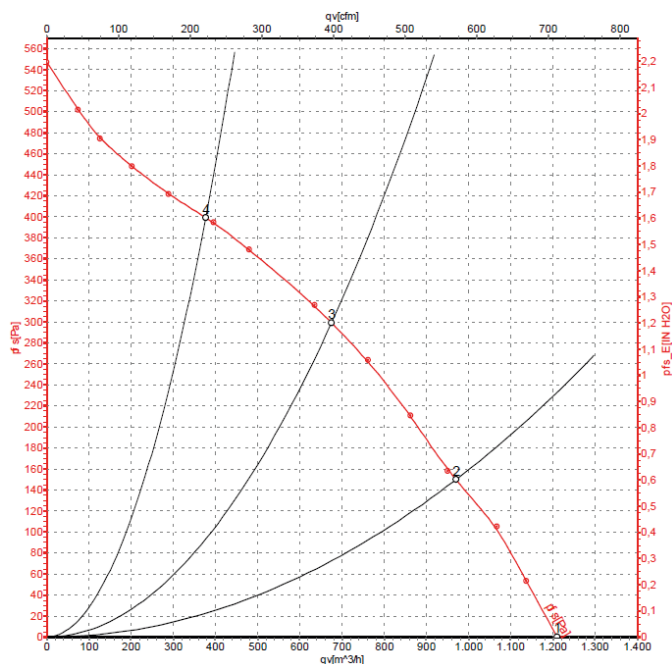
Go to	<a href="#">Pricelist</a>
Go to	<a href="#">Accessories</a>
Link to	<a href="#">ebm-papst operating instructions</a>
More at	<a href="http://www.ebmpapst.nl">www.ebmpapst.nl</a>

Nominal Data	Motor	Voltage	Frequency	Max. Air flow	Speed	Power consumption	Current draw	Capacitor capacity	Sound pressure level	Max. Back pressure	Perm. ambient temp.	Weight
Type	M2E068-DF	VAC	Hz	m3/h	rpm	W	A	μF/V	dB(A)	Pa	C	kg
R2E225BD9209		230	50	1210	2650	135	0,6	4/450	69	400	-25..+55	2,28
		230	60	1350	2950	200	0,88	4/450	71	450	-25..+55	

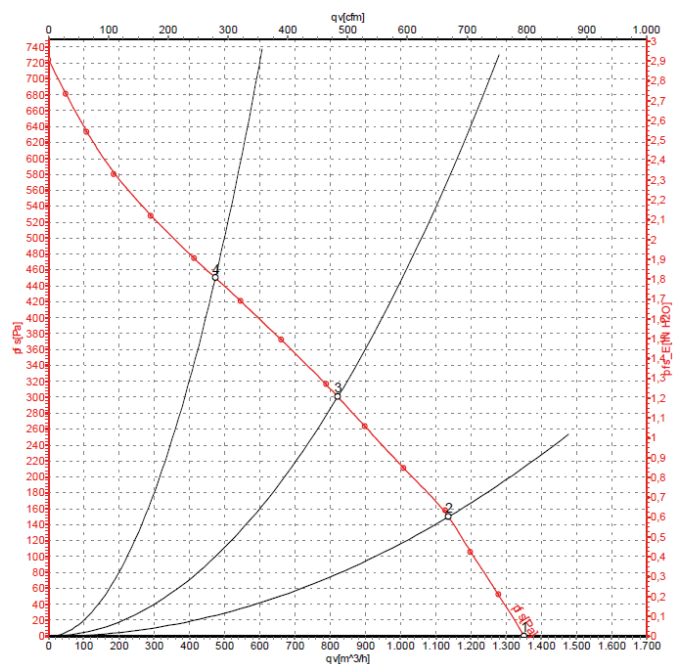
  

<b>Subject to modification</b>	<b>Capacitor</b>	<b>Inlet ring</b>
<a href="#">Pricelist</a>	<a href="#">280F00036</a>	<a href="#">96358-2-4013</a>

Pressure over air flow at 50Hz

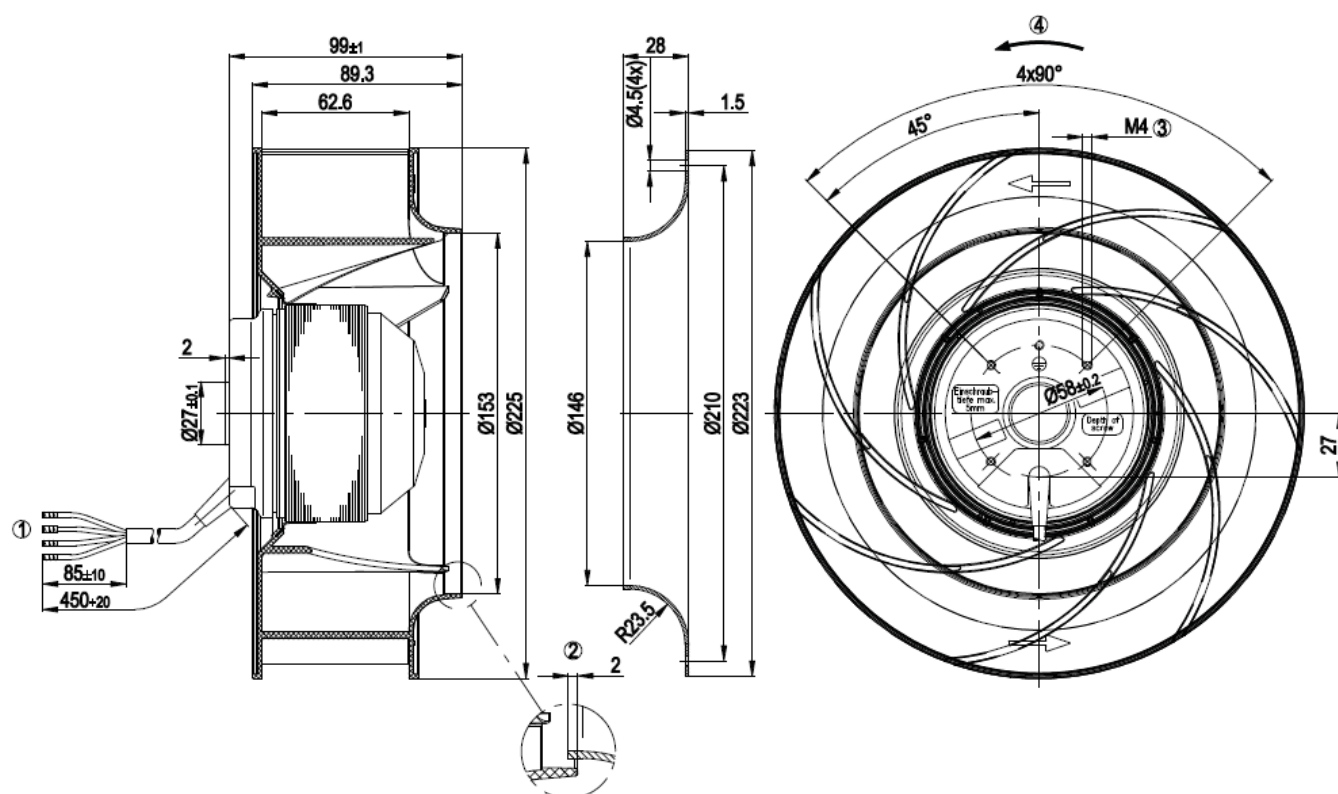


Pressure over air flow at 60Hz



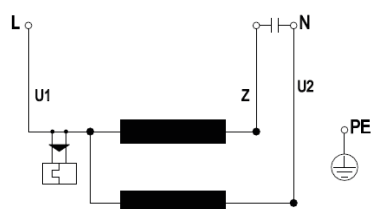


## Drawing



1	Cable silicone, 4x crimped splices
2	Accessory part: inlet ring 96358-2-4013 not included in scope of delivery
3	Max. clearance for screw 5 mm
4	Direction of rotation clockwise, viewed toward rotor

## Connection illustration



U1	blue	Z	brown	U2	black
PE	green/yellow				

# R2E280AE5205 - Backward curved

AC centrifugal fans



[Back to product overview:](#)



### Material/surface

- Rotor: painted black
- Impeller: sheet steel, painted black
- Number of blades: 11

### Technical description

- Direction of rotation: Right CW, seen on rotor
- Protection: IP44
- Isolation: F
- Condensate discharges: On rotor side
- Mounting position: Shaft horizontal or rotor on bottom; rotor on top on request
- Mode of operation: Continuous (S1)
- Bearings: Ball bearings
- Motor protection: Thermal Overload Protector (TOP) - wired internally
- Cable: Variable, 450 mm

### Conformity with standards

- Norm: EN 60335-1; CE

Go to	<a href="#">Pricelist</a>
Go to	<a href="#">Accessories</a>
Link to	<a href="#">ebm-papst operating instructions</a>
More at	<a href="#">www.ebmpapst.nl</a>

Nominal Data	Motor	Voltage	Frequency	Max. Air flow	Speed	Power consumption	Current draw	Capacitor capacity	Sound pressure level	Max. Back pressure	Perm. ambient temp.	Weight
Type	VAC	Hz	m3/h	rpm	W	A	μF/V	dB(A)	Pa	C	kg	
R2E280AE5205	M2E068-EC	230	50	2110	2700	225	1,0	7/400	76	550	-25..+40	3,5

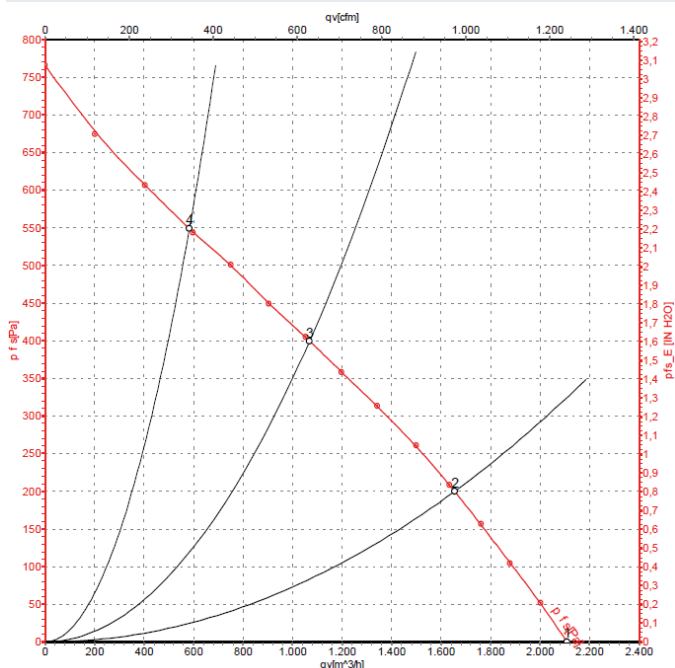
Subject to modification

[Pricelist](#)

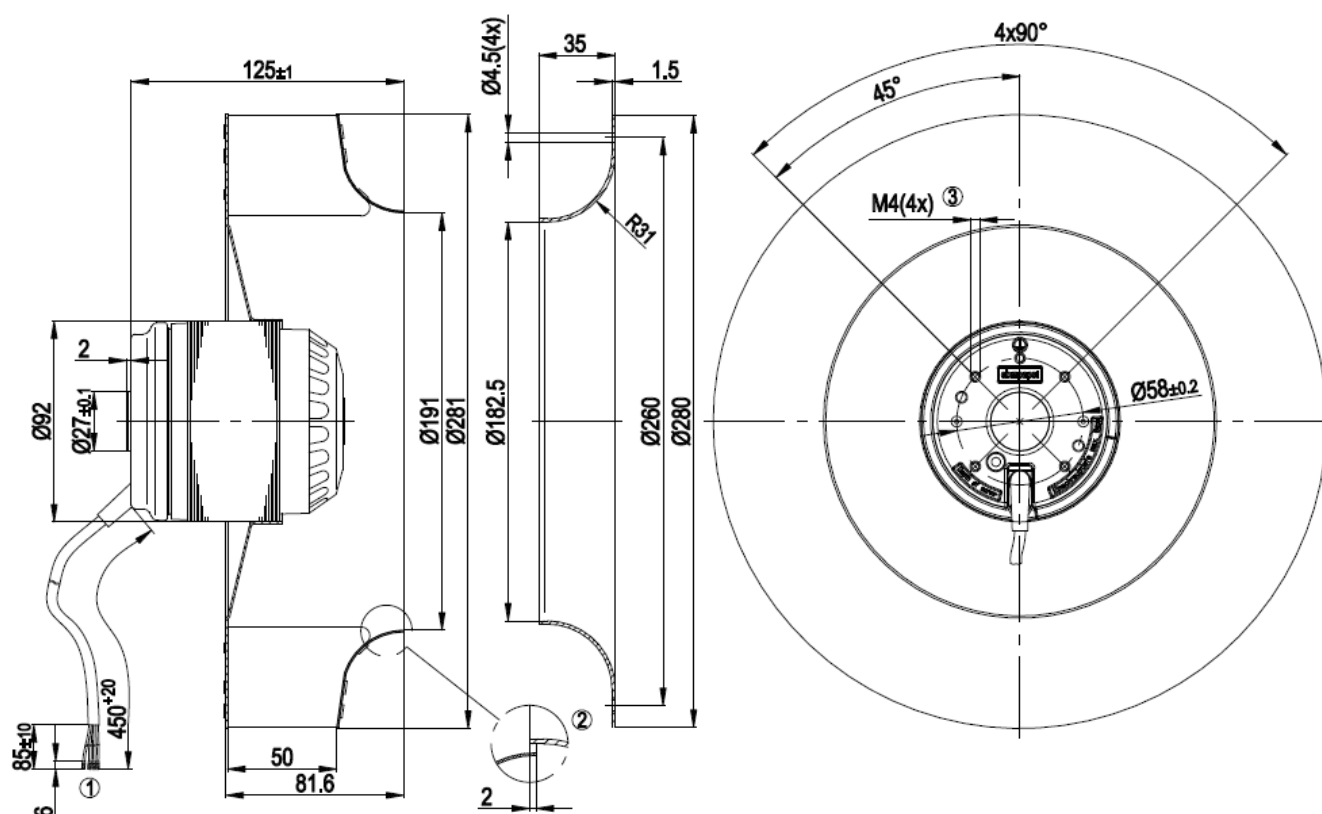
Capacitor

[280F00055](#)

### Pressure over air flow at 50Hz

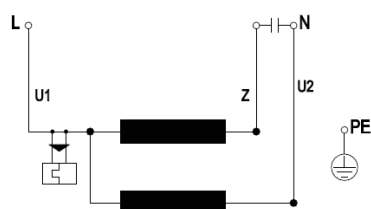


## Drawing

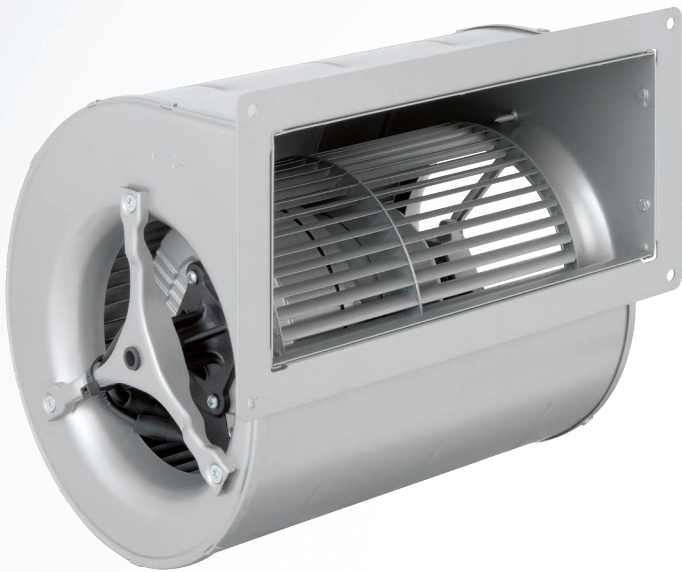


1	Cable silicone 4G 0.5 mm <sup>2</sup> , 4x crimped splices
2	Accessory part: inlet ring 96360-2-4013 not included in scope of delivery
3	Max. clearance for screw 6 mm

## Connection illustration



U1	blue	Z	brown	U2	black
PE	green/yellow				



# EC centrifugal fans

**ebmpapst**

engineering a better life

# D3G133BF0503 - Forward curved, dual intake

## EC centrifugal fans



[Back to product overview:](#)



### Material/surface

- Rotor: Thick-film passivated
- Housing: sheet steel, galvanized
- Impeller: sheet steel, galvanized

### Technical description

- Direction of rotation: Right CW, seen on rotor
- Protection: IP54
- Isolation: B
- Condensate discharges: None
- Mounting position: Any
- Mode of operation: Continuous (S1)
- Bearings: Ball bearings
- Motor protection: Electronic motor protection
- Cable: Lateral, 450 mm

### Conformity with standards

- Norm: EN 60335-1; CE

Go to	<a href="#">Pricelist</a>
Go to	<a href="#">Accessories</a>
Link to	<a href="#">ebm-papst operating instructions</a>
More at	<a href="http://www.ebmpapst.nl">www.ebmpapst.nl</a>

Nominal Data	Type	Motor	Voltage	Frequency	Max. Air flow	Speed	Power consumption	Current draw	Capacitor capacity	Sound pressure level	Max. Back pressure	Perm. ambient temp.	Weight
			VAC	Hz	m3/h	rpm	W	A	µF/V	dB(A)	Pa	C	kg
	D3G133BF0503	M3G055-CF	230	50/60	880	1270	85	0,7	-	-	200	-25..+40	3

Subject to modification

[Pricelist](#)

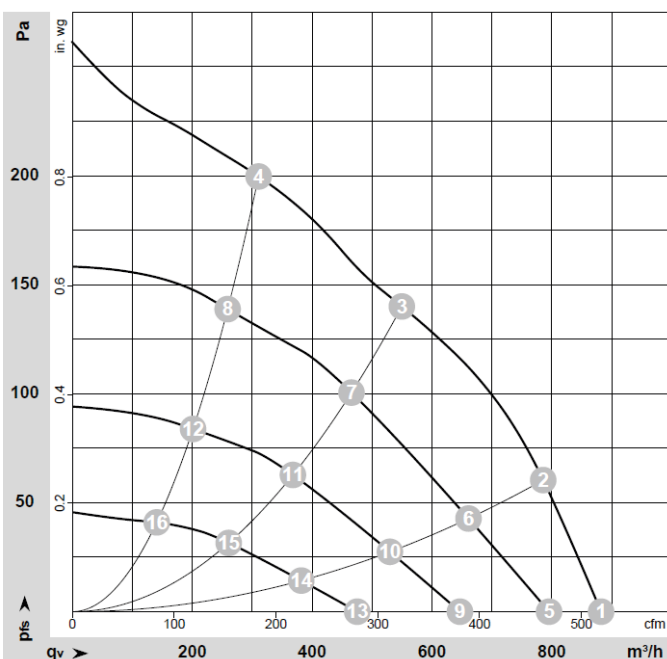
Capacitor

[280F00055](#)

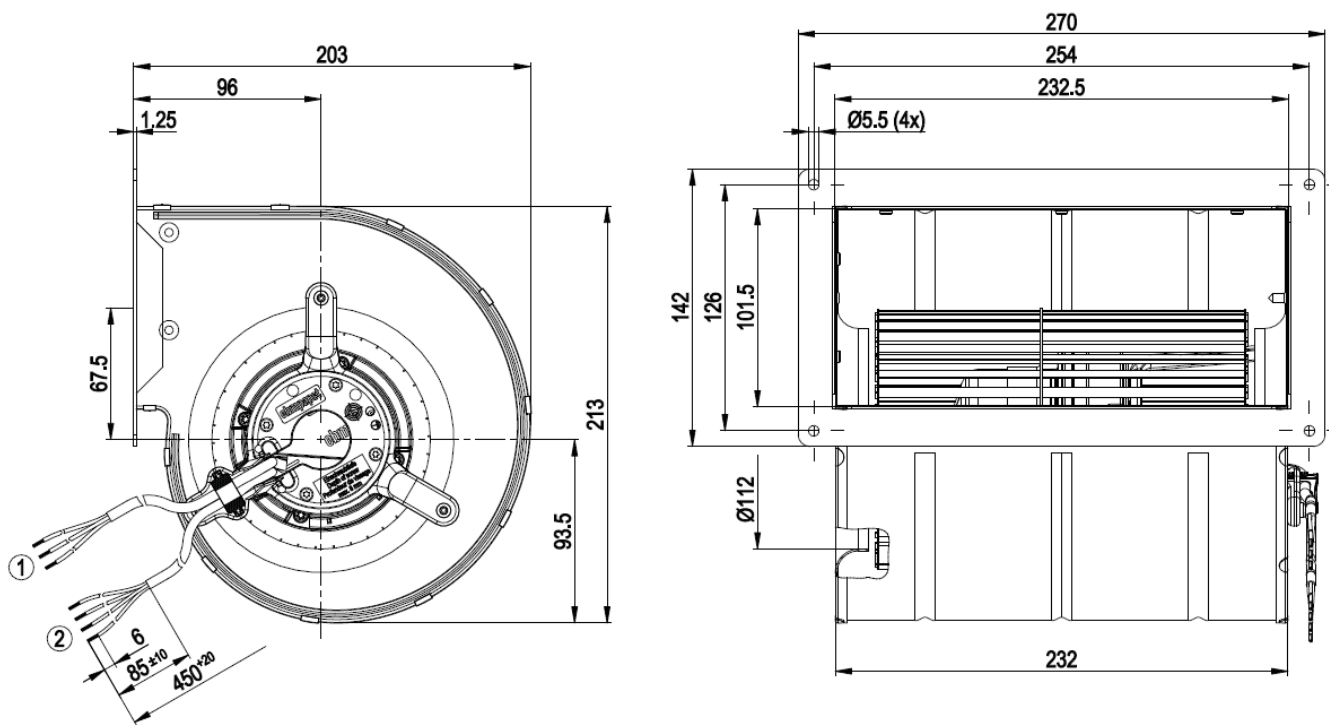
Speed control device

[280A00050](#)

### Pressure over air flow at 50Hz

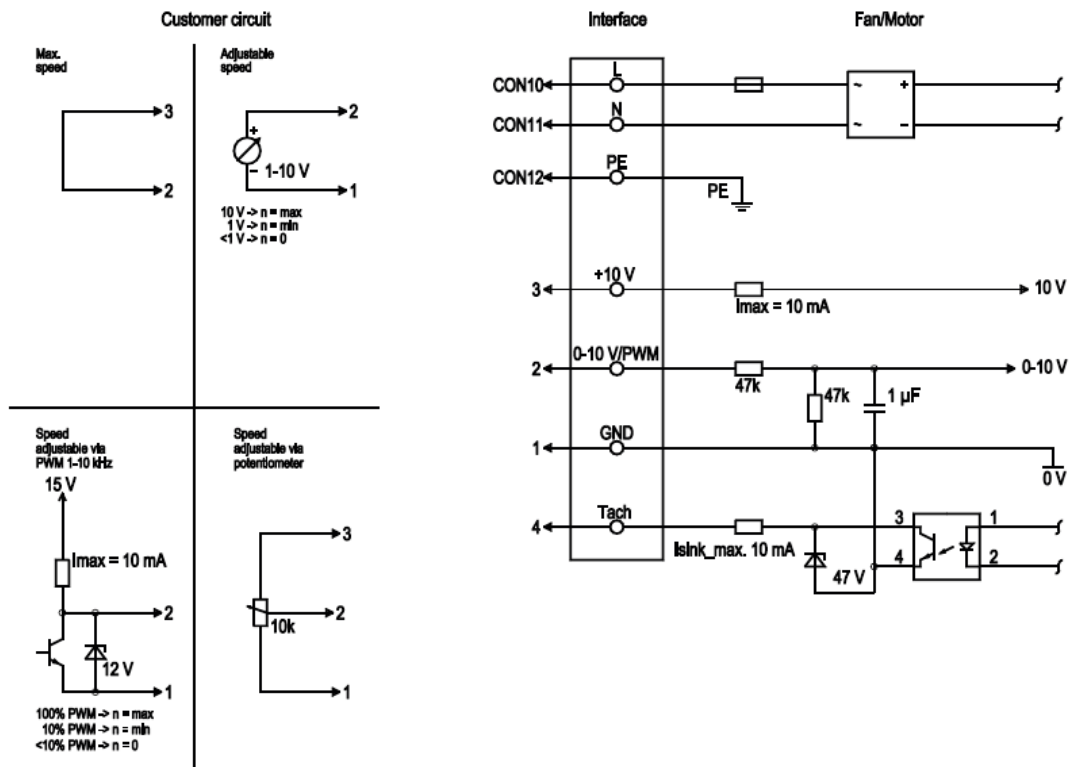


Drawing



- |   |  |
|---|--|
| 1 | Cable PVC 3G 0.5 mm <sup>2</sup> , 3x crimped splices  |
| 2 | Cable PVC 4x 0.25 mm <sup>2</sup> , 4x crimped splices |

Connection illustration



No.	Conn.	Designation	Color	Function/assignment
	CON10	L	brown	Supply connection, power supply, phase, see nameplate for voltage range
	CON11	N	blue	Supply connection, power supply, neutral conductor, see nameplate for voltage range
	CON12	PE	green/yellow	Ground connection
	2	0- 10V PWM	yellow	0-10 V / PWM control input, $R_i=100\text{ k}\Omega$ , SELV
	4	Tach	white	Tach output, open collector, 1 pulse per revolution, $I_{\text{sink max}} = 10\text{ mA}$ , SELV
	3	+10 V	red	Fixed voltage output 10 VDC $\pm 3\%$ , $I_{\text{max}} 10\text{ mA}$ , short-circuit-proof, power supply for ext. devices (e.g. pot), SELV
	1	GND	blue	Reference ground for control interface, SELV





# D3G146LV0531 - Forward curved, dual intake

## EC centrifugal fans



[Back to product overview:](#)



### Material/surface

- Rotor: Galvanized
- Housing: PP plastic
- Impeller: sheet steel, galvanized

### Technical description

- Direction of rotation: Left CCW, seen on rotor
- Protection: Motor IP34, electronics IP20
- Isolation: F
- Condensate discharges: None
- Mounting position: Any
- Mode of operation: Continuous (S1)
- Bearings: Ball bearings
- Motor protection: Thermal Overload Protector (TOP) - wired internally
- Cable: Connector

### Conformity with standards

- Norm: EN 60335-1; CE

Go to	<a href="#">Pricelist</a>
Go to	<a href="#">Accessories</a>
Link to	<a href="#">ebm-papst operating instructions</a>
More at	<a href="http://www.ebmpapst.nl">www.ebmpapst.nl</a>

Nominal Data		Voltage	Frequency	Max. Air flow	Speed	Power consumption	Current draw	Capacitor capacity	Sound pressure level	Max. Back pressure	Perm. ambient temp.	Weight
Type	Motor	VAC	Hz	m3/h	rpm	W	A	µF/V	dB(A)	Pa	C	kg
D3G146LV0531	M3G055-DF	230	50/60	1155	1560	170	0,8	-	-	380	-25..+60	2,8

Subject to modification

[Pricelist](#)

Connection leads

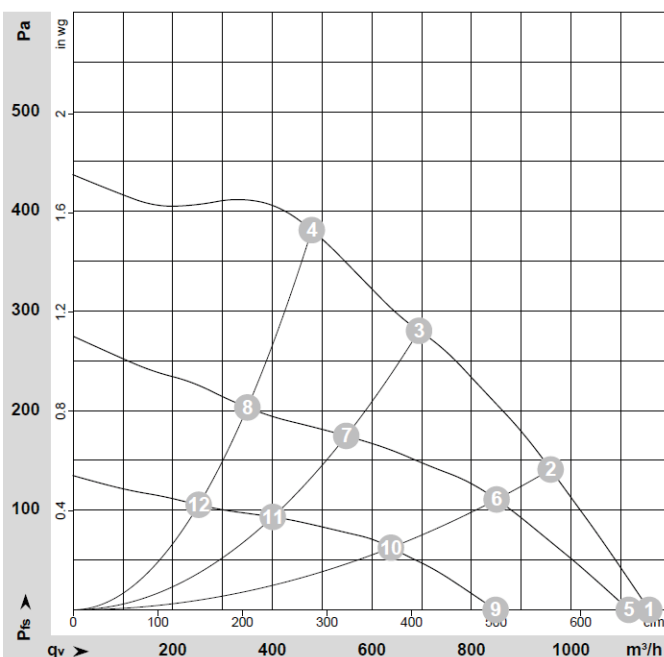
[65031-4-1040](#)

[65007-4-1040](#)

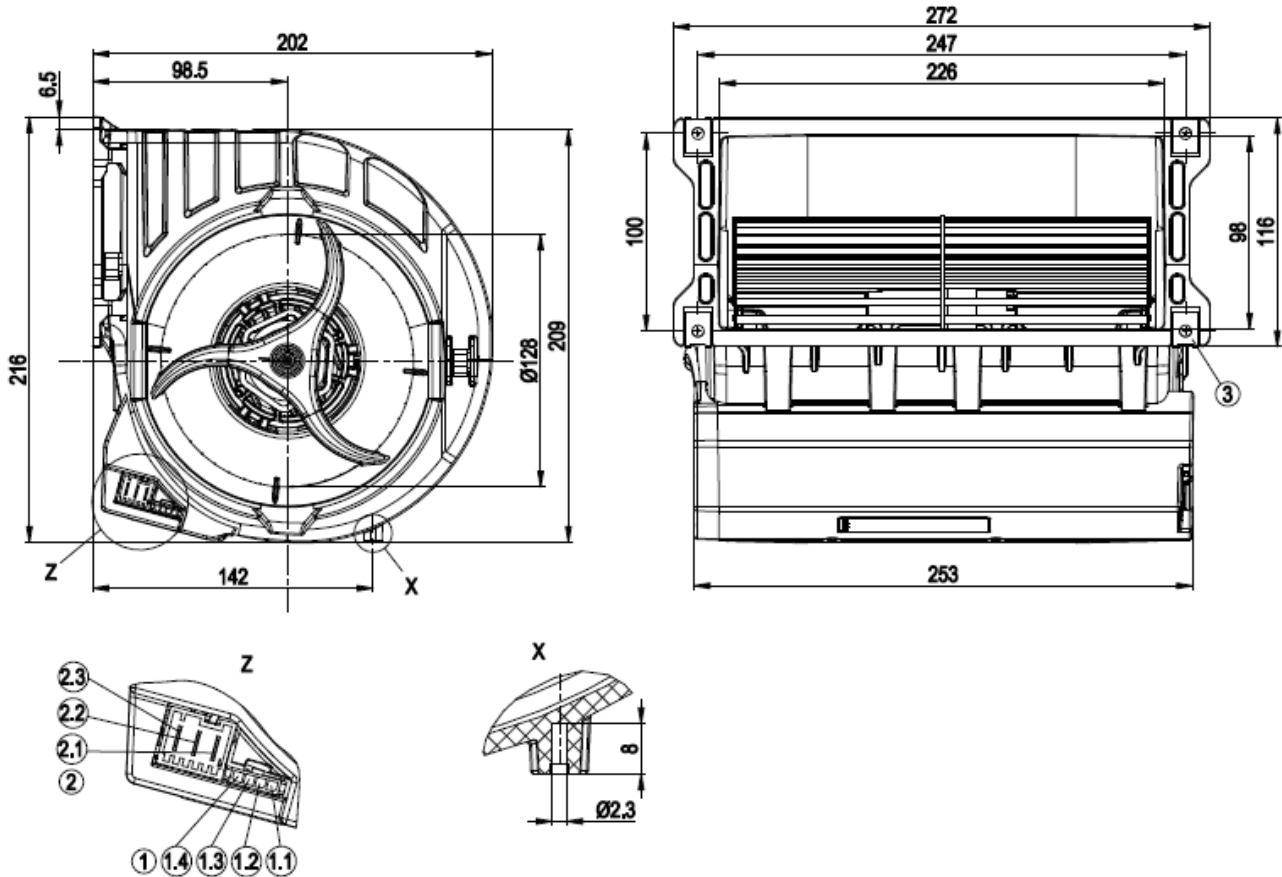
Speed control device

[280A00050](#)

### Pressure over air flow at 50Hz



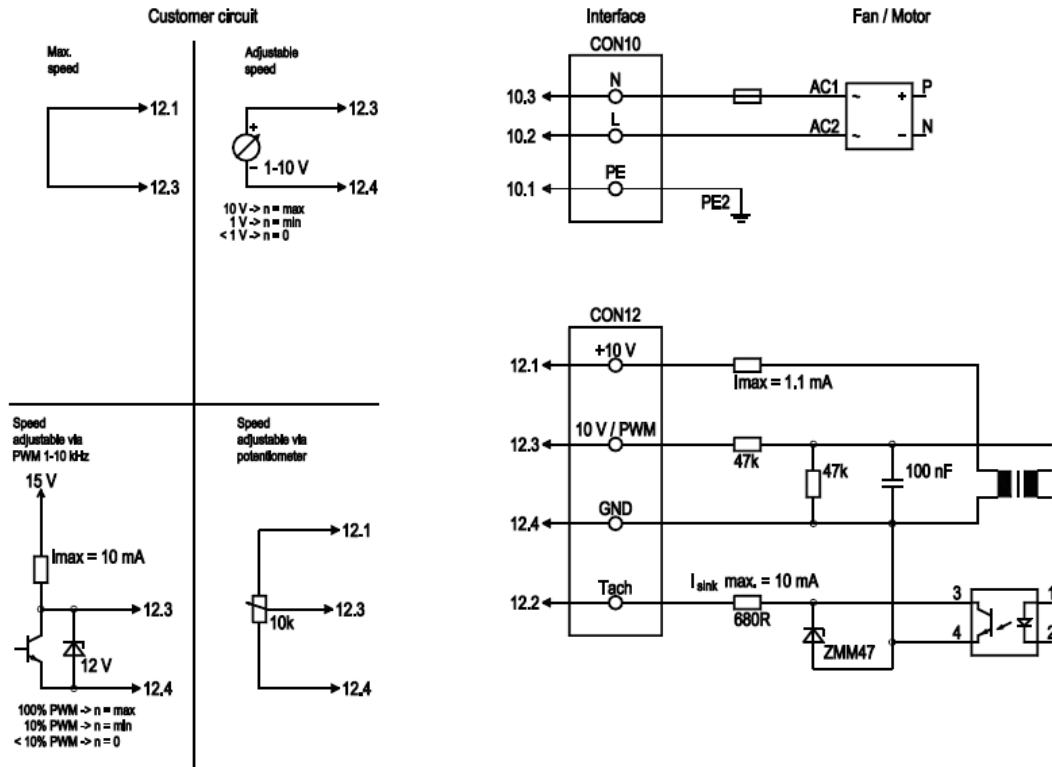
Drawing



1	Header Molex Micro Fit 3.0 04365 00400 (pluggable with 04364 50400)
1.1	10 V
1.2	Tach
1.3	0-10 V lin. / PWM
1.4	GND
2	Connector Lumberg 3642 03 K01 (pluggable with 3626 03 K01)
2.1	PE
2.2	L
2.3	N
3	4x sheet metal nut for thread EN ISO 1478-ST4.8 (min. screw length 14.5 mm plus material thickness of attachment)

Spare parts

Connection illustration



No.	Conn.	Designation	Color	Function/assignment
CON10	10.1	PE	green/yellow	Protective earth
CON10	10.2	L	black	Power supply 230 VAC, 50-60 Hz or 330 VDC, see nameplate for voltage range
CON10	10.3	N	blue	Neutral conductor
CON12	12.1	10 V / max. 1,1 mA	red	Voltage output 10 V, 1.1 mA, electrically isolated, not short-circuit-proof
CON12	12.2	Tach	white	Tach output: Open collector, 1 pulse per revolution, electrically isolated, Isink max = 10 mA
CON12	12.3	0-10 V	yellow	Control input 0-10 V or PWM, electrically isolated
CON12	12.4	GND	blue	GND connection of control interface



# D3G146LV1333 - Forward curved, dual intake

## EC centrifugal fans



[Back to product overview:](#)



### Material/surface

- Rotor: Galvanized
- Housing: PP plastic
- Impeller: sheet steel, galvanized

### Technical description

- Direction of rotation: Left CCW, seen on rotor
- Protection: Motor IP34, electronics IP20
- Isolation: F
- Condensate discharges: None
- Mounting position: Any
- Mode of operation: Continuous (S1)
- Bearings: Ball bearings
- Motor protection: Thermal Overload Protector (TOP) - wired internally
- Cable: Connector

### Conformity with standards

- Norm: EN 60335-1; CE

Go to	<a href="#">Pricelist</a>
Go to	<a href="#">Accessories</a>
Link to	<a href="#">ebm-papst operating instructions</a>
More at	<a href="http://www.ebmpapst.nl">www.ebmpapst.nl</a>

Nominal Data		Voltage	Frequency	Max. Air flow	Speed	Power consumption	Current draw	Capacitor capacity	Sound pressure level	Max. Back pressure	Perm. ambient temp.	Weight
Type	Motor	VAC	Hz	m3/h	rpm	W	A	µF/V	dB(A)	Pa	C	kg
D3G146LV1333	M3G055-DF	230	50/60	1155	1550	167	1,3	-	-	400	-25..+55	2,9

Subject to modification

[Pricelist](#)

Connection leads

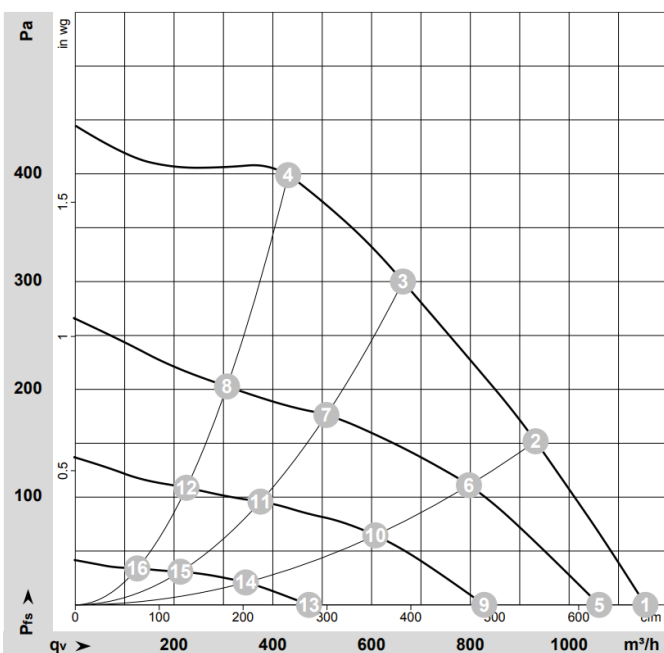
[65031-4-1040](#)

[65007-4-1040](#)

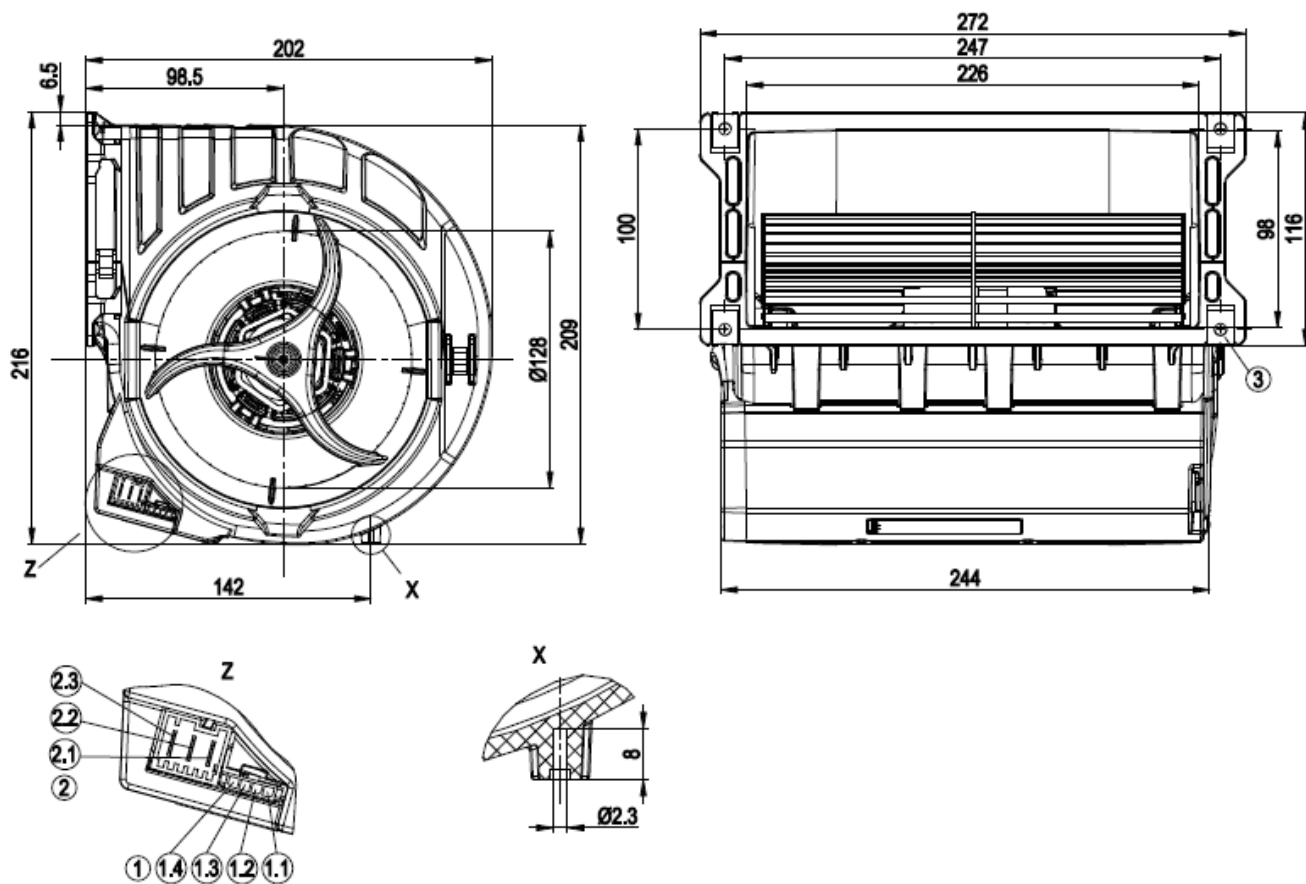
Speed control device

[280A00050](#)

### Pressure over air flow at 50Hz

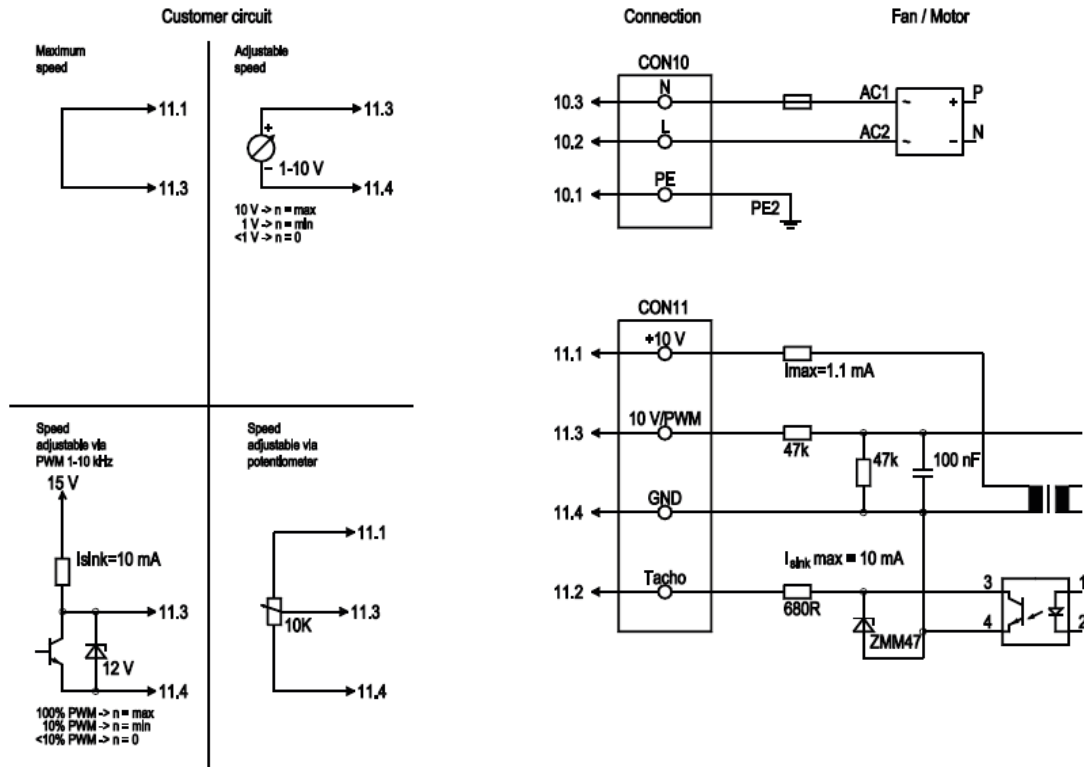


Drawing



1	Strip Molex Micro Fit 3.0 04365 00400 (pluggable with 04364 50400)
1.1	10 V
1.2	Tacho
1.3	0-10 V lin. / PWM
1.4	GND
2	Connector Lumberg 3642 03 K01 (pluggable with 3626 03 K01)
2.1	PE
2.2	L
2.3	N
3	4x sheet metal nut for thread EN ISO 1478-ST4.8 (min. screw length 14.5 mm plus thickness of mounting material)

Connection illustration



No.	Conn.	Designation	Colour	Function / assignment
CON10	10.1	PE	green/yellow	Protective earth
CON10	10.2	L	black	Power supply 230 VAC, 50-60 Hz, see type plate for voltage range
CON10	10.3	N	blue	Neutral conductor
CON11	11.1	10 V/max. 1.1 mA	red	Voltage output 10 V, 1.1 mA, electrically isolated, not short-circuit-proof
CON11	11.2	Tach	white	Tach output: Open collector, 1 pulse per revolution, electrically isolated, Isink max = 10 mA
CON11	11.3	0-10 V PWM	yellow	Control input 0-10 V or PWM, electrically isolated
CON11	11.4	GND	blue	GND connection for control interface





# D3G146HQ1334 - Forward curved, dual intake

## EC centrifugal fans



[Back to product overview:](#)



### Material/surface

- Rotor: Galvanized
- Housing: PP plastic
- Impeller: PP plastic

### Technical description

- Direction of rotation: Right CW, seen on rotor
- Protection: IP20
- Isolation: F
- Condensate discharges: None
- Mounting position: Any
- Mode of operation: Continuous (S1)
- Bearings: Ball bearings
- Motor protection: Thermal Overload Protector (TOP) - wired internally
- Cable: Plug

### Conformity with standards

- Norm: EN 60335-1; EN 60335-2-31; CE

Go to	<a href="#">Pricelist</a>
Go to	<a href="#">Accessories</a>
Link to	<a href="#">ebm-papst operating instructions</a>
More at	<a href="http://www.ebmpapst.nl">www.ebmpapst.nl</a>

Nominal Data		Voltage	Frequency	Max. Air flow	Speed	Power consumption	Current draw	Capacitor capacity	Sound pressure level	Max. Back pressure	Perm. ambient temp.	Weight
Type	Motor	VAC	Hz	m3/h	rpm	W	A	μF/V	dB(A)	Pa	C	kg
D3G146HQ1334	M3G055-DF	230	50/60	1080	2400	230	1,8	-	-	460	-25..+50	2,4

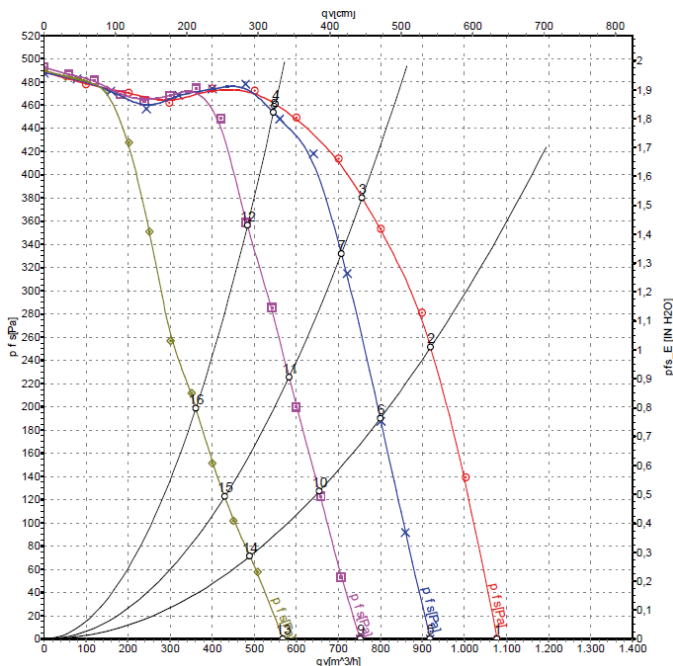
Subject to modification

[Pricelist](#)

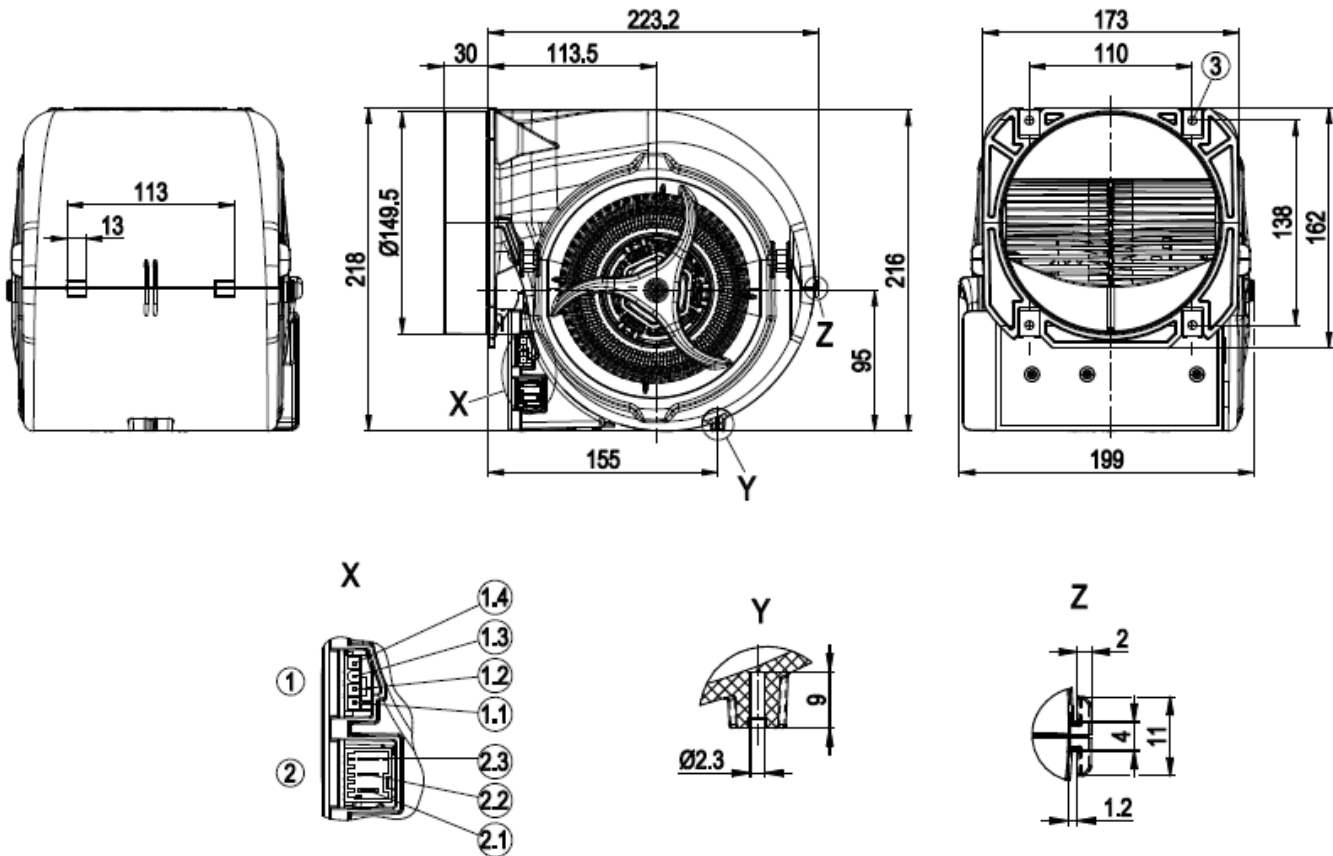
Connection leads

[15571-4-1029](#) & [35785-4-1029](#)

### Pressure over air flow at 50Hz



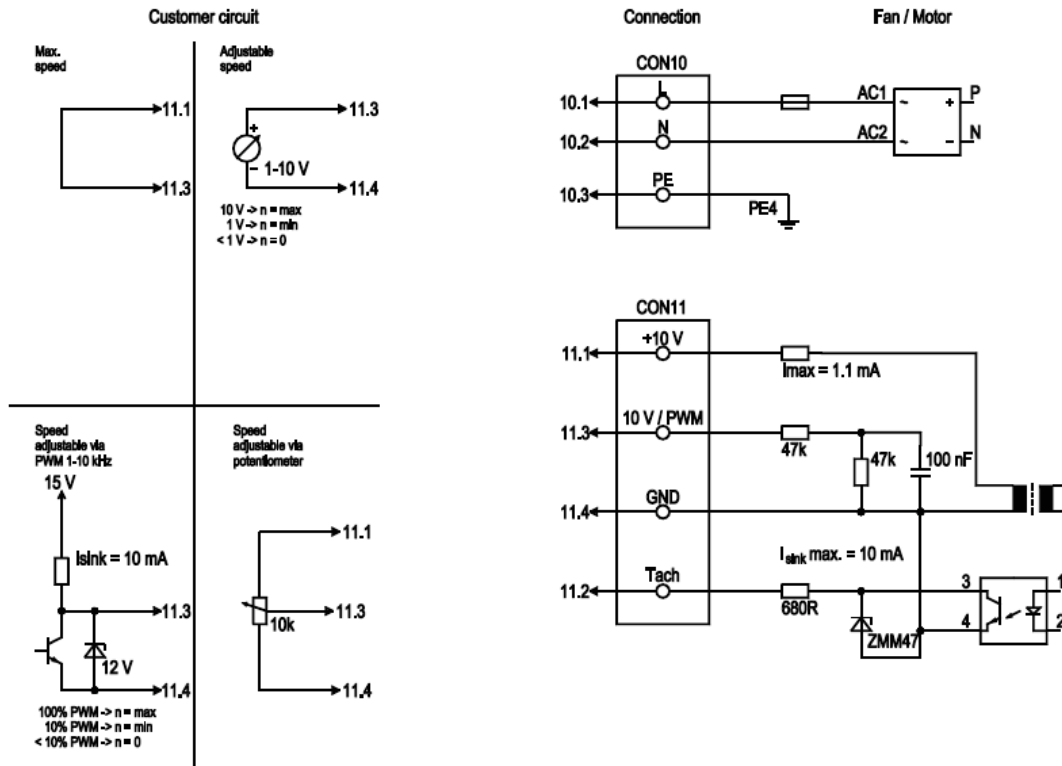
Drawing



1	Header Stocko MSLO 7708-004-003-960 pluggable with Stocko EH 705-004-003-960 + RBB 8230.120 Ms
1.1	10 V
1.2	Tach
1.3	0-10 V / PWM
1.4	GND
2	Macromodul connector Stocko MSLO 9404-003-00A-960 pluggable with Stocko MFMP 9761-003-50A-960
2.1	L
2.2	N
2.3	PE
3	4x sheet metal nut for thread EN ISO 1478-ST4.8

Spare parts

Connection illustration



No.	Conn.	Designation	Color	Function/assignment
CON10	10.1	L	black	Power supply 230 VAC, 50-60 Hz, see nameplate for voltage range
CON10	10.2	N	blue	Neutral conductor
CON10	10.3	PE	green/yellow	Protective earth
CON11	11.1	10 V/max. 1.1mA	red	Voltage output 10 V / 1.1 mA, electrically isolated, not short-circuit-proof
CON11	11.2	Tacho	white	Tach output: Open collector, 1 pulse per revolution, electrically isolated, Isink max = 10 mA
CON11	11.3	0-10 V PWM	yellow	Control input 0-10 V or PWM, electrically isolated
CON11	11.4	GND	blue	GND connection for control interface



# G3G160RF3103

EC centrifugal fans



[Back to product overview:](#)



#### Material/surface

- Rotor: Thick-film passivated
- Housing: PP plastic
- Impeller: PP plastic

#### Technical description

- Direction of rotation: Right CW, seen on rotor
- Protection: IP54
- Isolation: B
- Condensate discharges: None, open rotor
- Mounting position: Any
- Mode of operation: Continuous (S1)
- Bearings: Ball bearings
- Motor protection: Electronic motor protection
- Cable: Variable

#### Conformity with standards

- Norm: EN 60335-1; CE

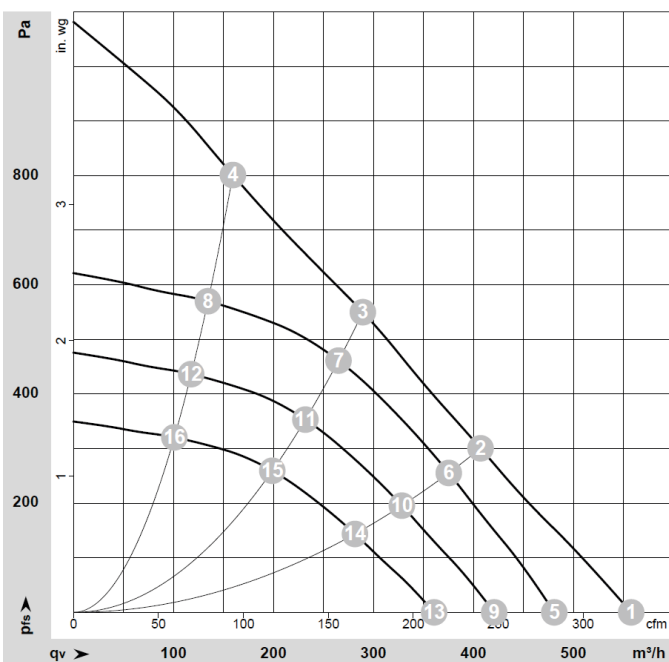
Go to	<a href="#">Pricelist</a>
Go to	<a href="#">Accessories</a>
Link to	<a href="#">ebm-papst operating instructions</a>
More at	<a href="http://www.ebmpapst.nl">www.ebmpapst.nl</a>

Nominal Data		Voltage	Frequency	Max. Air flow	Speed	Power consumption	Current draw	Capacitor capacity	Sound pressure level	Max. Back pressure	Perm. ambient temp.	Weight
Type	Motor	VAC	Hz	m3/h	rpm	W	A	µF/V	dB(A)	Pa	C	kg
G3G160RF3103	M3G055-BD	230	50/60	560	4300	85	0,75	-	-	800	-25..+60	1,52

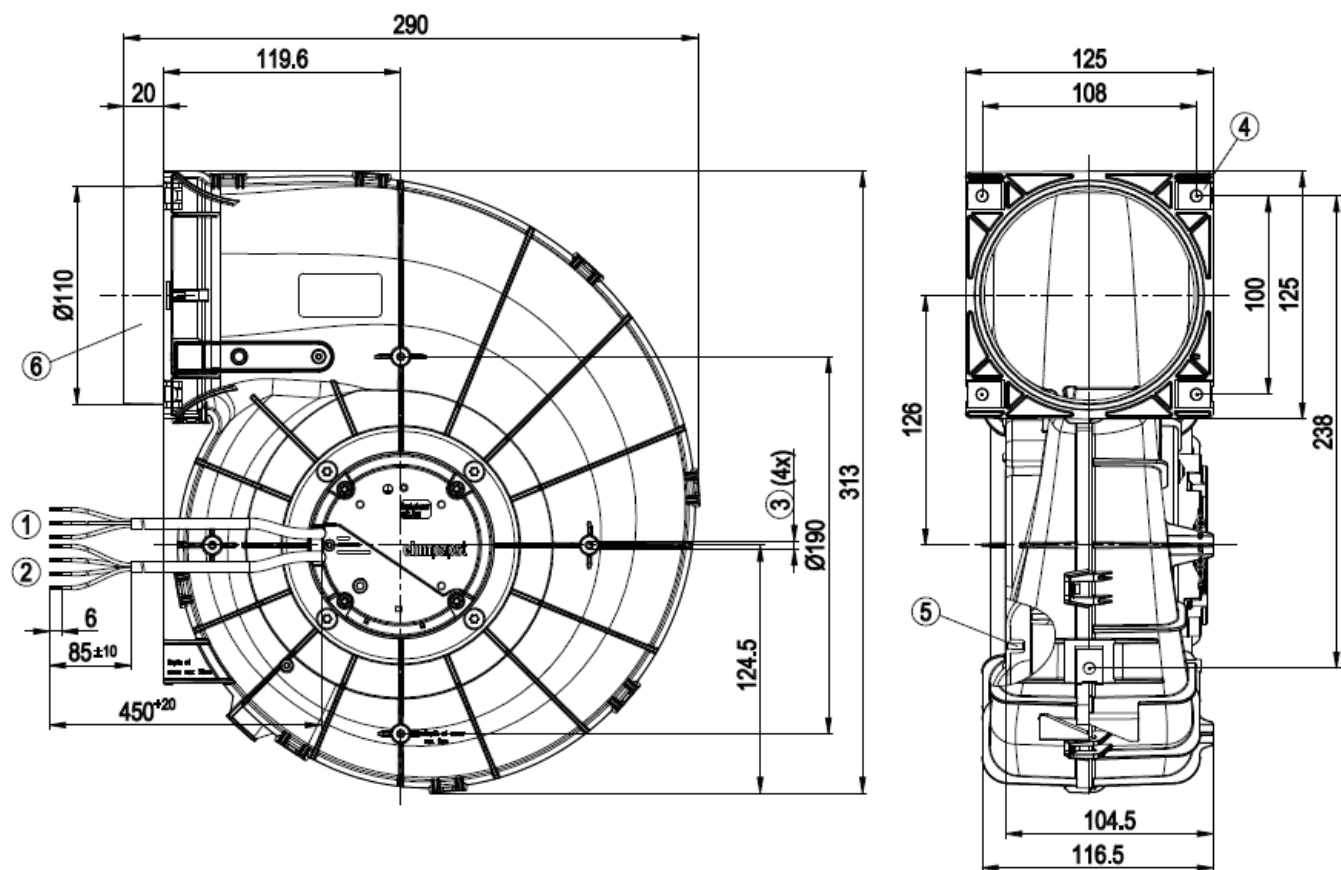
Subject to modification

[Pricelist](#)

#### Pressure over air flow at 50Hz

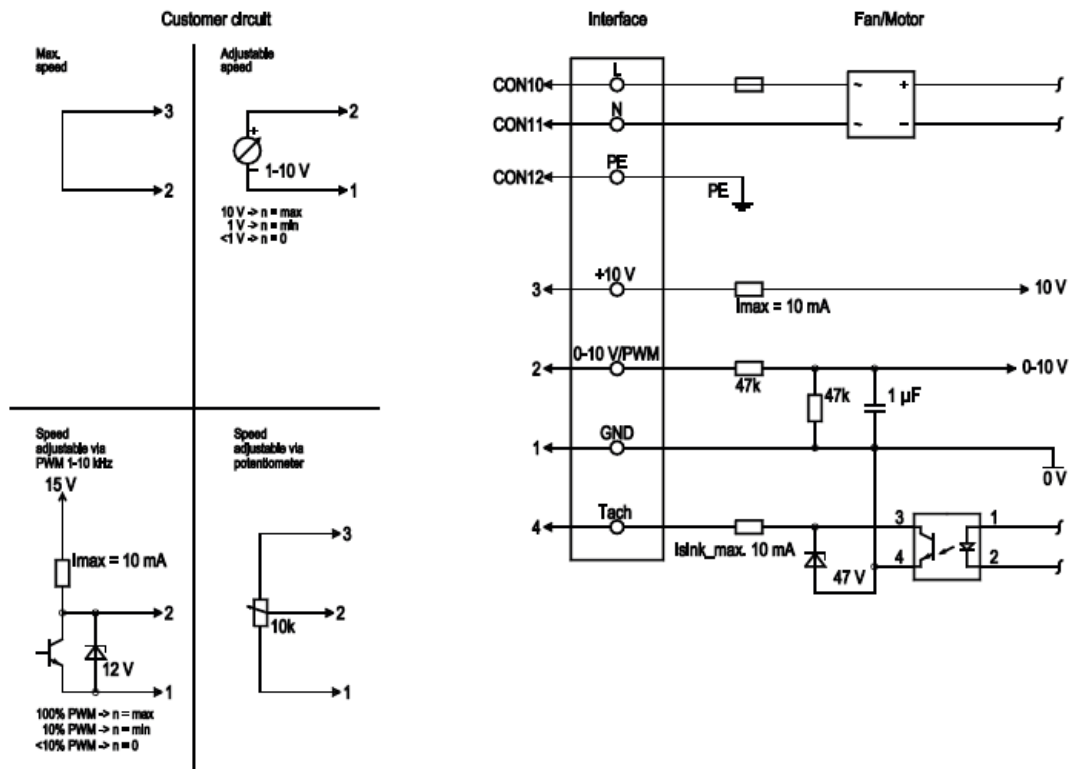


## Drawing



1	Cable PVC 3G 0.5 mm <sup>2</sup> 3x splice
2	Cable PVC 4x 0.25 mm <sup>2</sup> 4x splice
3	Tapping hole prepared for self-tapping screw for fastening plastics (Remform) dia. 4 mm, screw-in depth max. 9 mm, torque is to be determined on the basis of the screw.
4	5x sheet metal nut for thread EN ISO 1478-ST4.8 (max. screw length 20 mm plus thickness of mounting material)
5	Screw-on domes are only permissible for Flowgrid!
6	Connecting sleeve not suitable for installation with pipe clamps

Connection illustration



No.	Conn.	Designation	Color	Function/assignment
	CON10	L	brown	Supply connection, power supply, phase, see nameplate for voltage range
	CON11	N	blue	Supply connection, power supply, neutral conductor, see nameplate for voltage range
	CON12	PE	green/yellow	Ground connection
	2	0- 10V PWM	yellow	0-10 V / PWM control input, $R_i=100\text{ k}\Omega$ , SELV
	4	Tach	white	Tach output, open collector, 1 pulse per revolution, $I_{\text{sink max}} = 10\text{ mA}$ , SELV
	3	+10 V	red	Fixed voltage output 10 VDC $\pm 3\%$ , $I_{\text{max.}} 10\text{ mA}$ , short-circuit-proof, power supply for ext. devices (e.g. pot), SELV
	1	GND	blue	Reference ground for control interface, SELV





# G3G190RD4503

EC centrifugal fans



[Back to product overview:](#)



### Material/surface

- Rotor: Thick-film passivated
- Housing: PP plastic
- Impeller: PP plastic

### Technical description

- Direction of rotation: Right CW, seen on rotor
- Protection: IP54
- Isolation: B
- Condensate discharges: None, open rotor
- Mounting position: Any
- Mode of operation: Continuous (S1)
- Bearings: Ball bearings
- Motor protection: Electronic motor protection
- Cable: Variable

### Conformity with standards

- Norm: EN 60335-1; CE

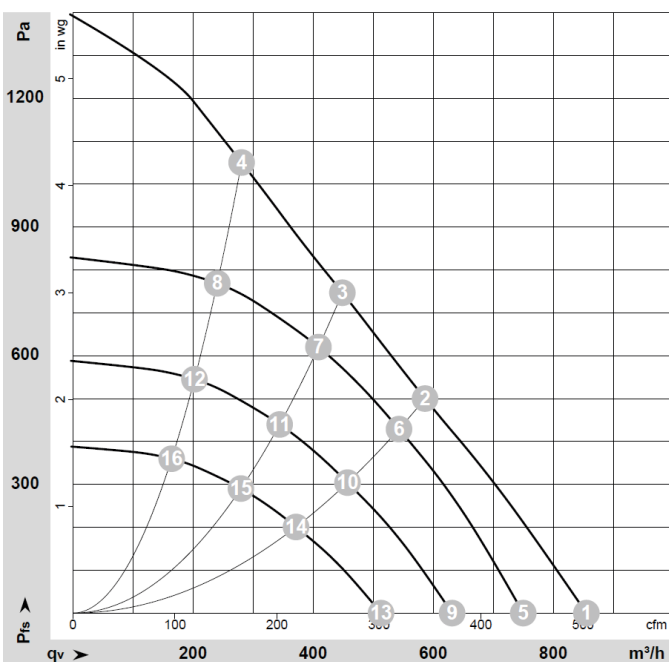
Go to	<a href="#">Pricelist</a>
Go to	<a href="#">Accessories</a>
Link to	<a href="#">ebm-papst operating instructions</a>
More at	<a href="http://www.ebmpapst.nl">www.ebmpapst.nl</a>

Nominal Data	Type	Motor	Voltage	Frequency	Max. Air flow	Speed	Power consumption	Current draw	Capacitor capacity	Sound pressure level	Max. Back pressure	Perm. ambient temp.	Weight
			VAC	Hz	m3/h	rpm	W	A	µF/V	dB(A)	Pa	C	kg
	G3G160RF3103	M3G055-CF	230	50/60	855	4100	170	0,75	-	-	1050	-25..+60	2,08

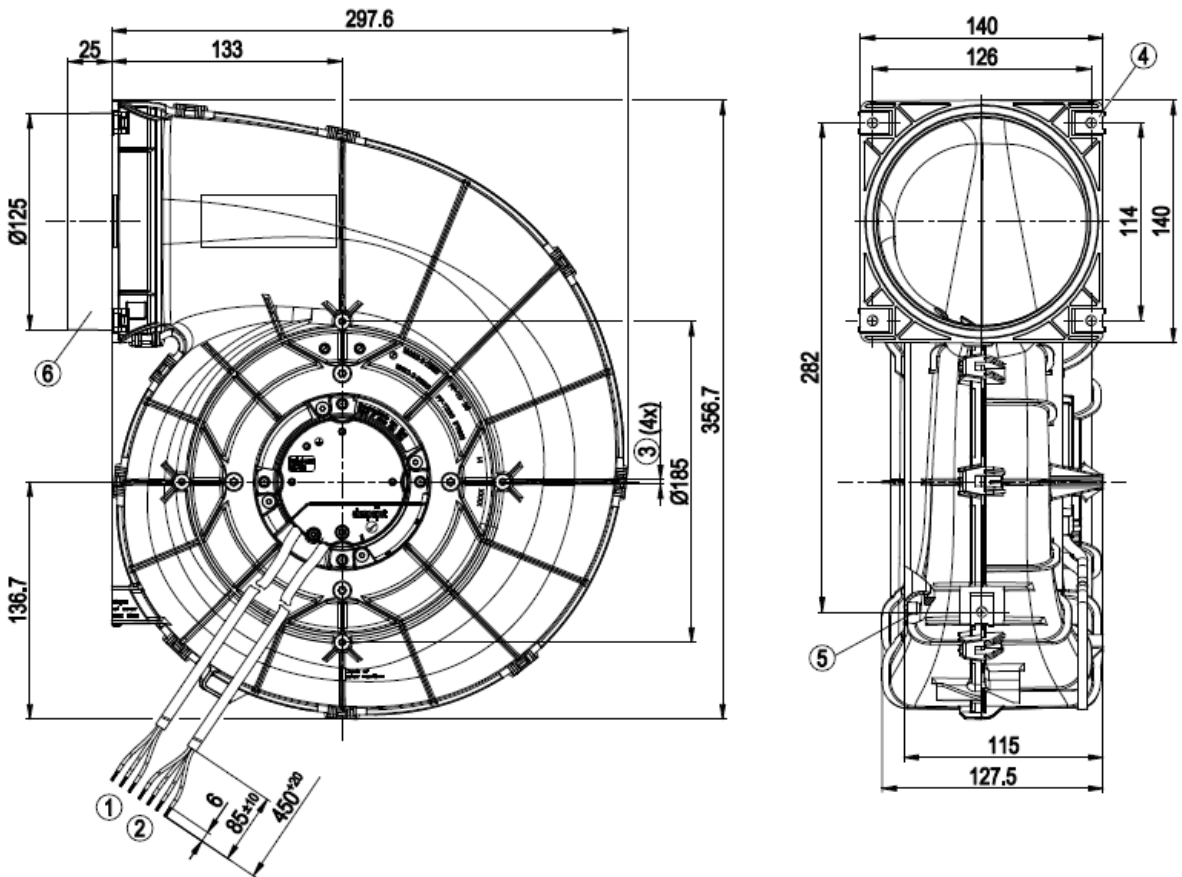
Subject to modification

[Pricelist](#)

### Pressure over air flow at 50Hz



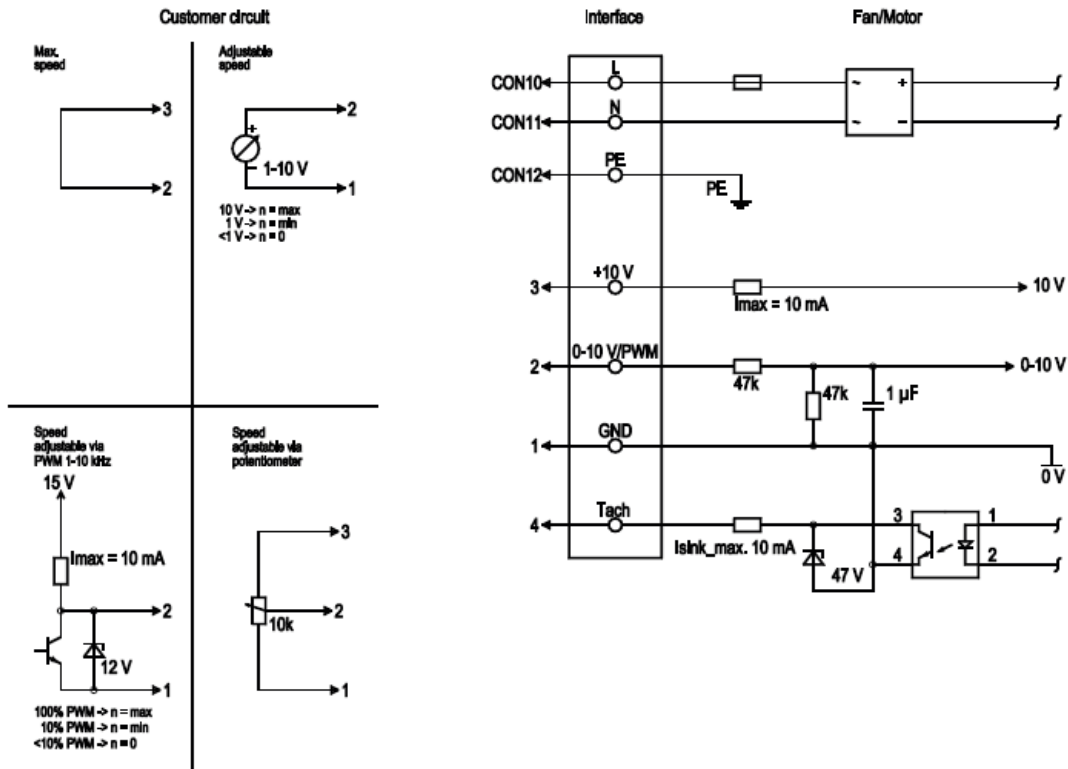
Drawing



1	Cable PVC AWG20 3x splice
2	Cable PVC AWG22 4x splice
3	Tapping hole prepared for self-tapping screw for fastening plastics (Remform) dia. 4 mm, clearance for screw max. 15 mm. The torque is to be determined on the basis of the screw.
4	5x sheet metal nut for thread EN ISO 1478-ST4.8 (max. screw length 16 mm plus thickness of mounting material)
5	Screw-on domes are only permissible for Flowgrid!
6	Connecting sleeve not suitable for installation with pipe clamps

Spare parts

Connection illustration



No.	Conn.	Designation	Color	Function/assignment
	CON10	L	black	Supply connection, power supply, phase, see nameplate for voltage range
	CON11	N	blue	Supply connection, power supply, neutral conductor, see nameplate for voltage range
	CON12	PE	green/yellow	Ground connection
	2	0- 10V PWM	yellow	0-10 V / PWM control input, Ri=100 kΩ, SELV
	4	Tach	white	Tach output, open collector, 1 pulse per revolution, Isink max = 10 mA, SELV
	3	+10 V	red	Fixed voltage output 10 VDC +/-3 %, Imax. 10 mA, short-circuit-proof, power supply for ext. devices (e.g. pot), SELV
	1	GND	blue	Reference ground for control interface, SELV



# K3G133RA0103 - Backward curved, single intake

## EC centrifugal fans - RadiCal



[Back to product overview:](#)



### Material/surface

- Rotor: Thick-film passivated
- Housing: PA plastic
- Impeller: PA plastic
- Number of blades: 7

### Technical description

- Direction of rotation: Right CW, seen on rotor
- Protection: IP54
- Isolation: B
- Mounting position: Any
- Mode of operation: Continuous (S1)
- Bearings: Ball bearings
- Motor protection: Electronic motor protection
- Cable: Lateral, 450 mm

### Conformity with standards

- Norm: EN 60335-1; CE

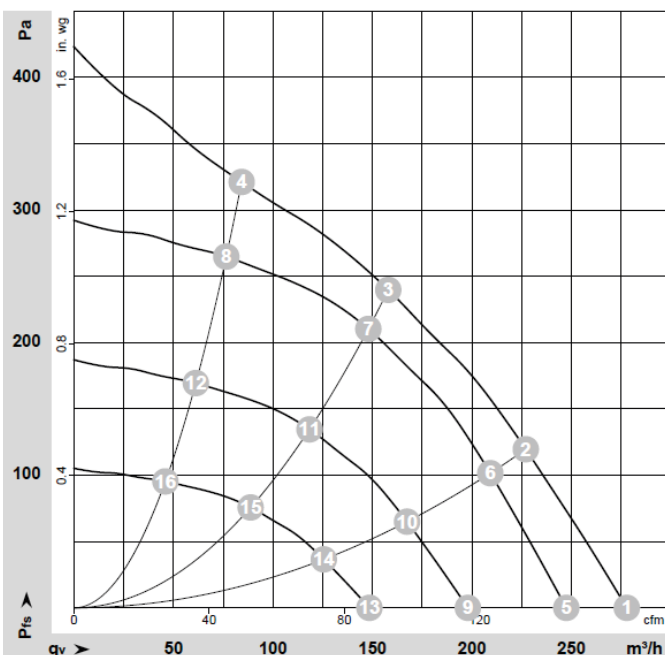
Go to	<a href="#">Pricelist</a>
Go to	<a href="#">Accessories</a>
Link to	<a href="#">ebm-papst operating instructions</a>
More at	<a href="http://www.ebmpapst.nl">www.ebmpapst.nl</a>

Nominal Data		Voltage	Frequency	Max. Air flow	Speed	Power consumption	Current draw	Capacitor capacity	Sound pressure level	Max. Back pressure	Perm. ambient temp.	Weight
Type	Motor	VAC	Hz	m3/h	rpm	W	A	μF/V	dB(A)	Pa	C	kg
K3G133RA0103	M3G045-AI	230	50/60	280	3770	27	0,27	-	-	320	-25..+60	0,9

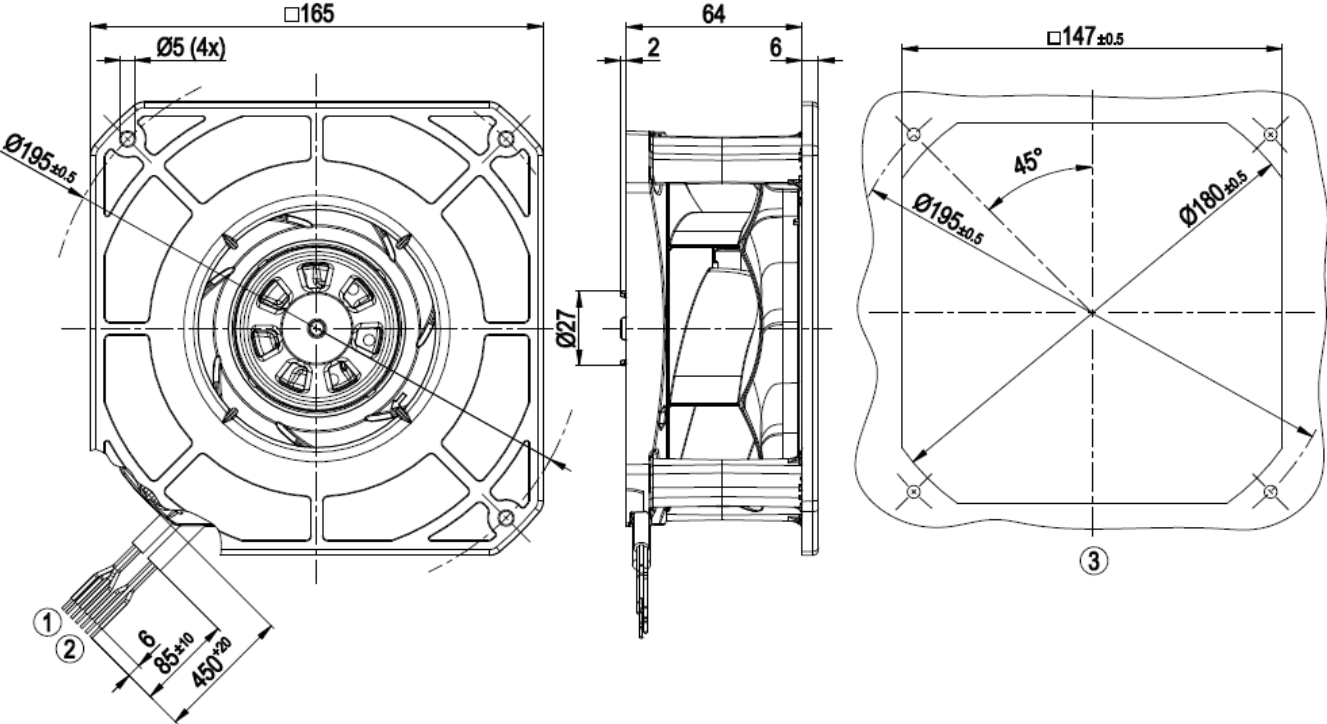
Subject to modification

[Pricelist](#)

### Pressure over air flow at 50Hz



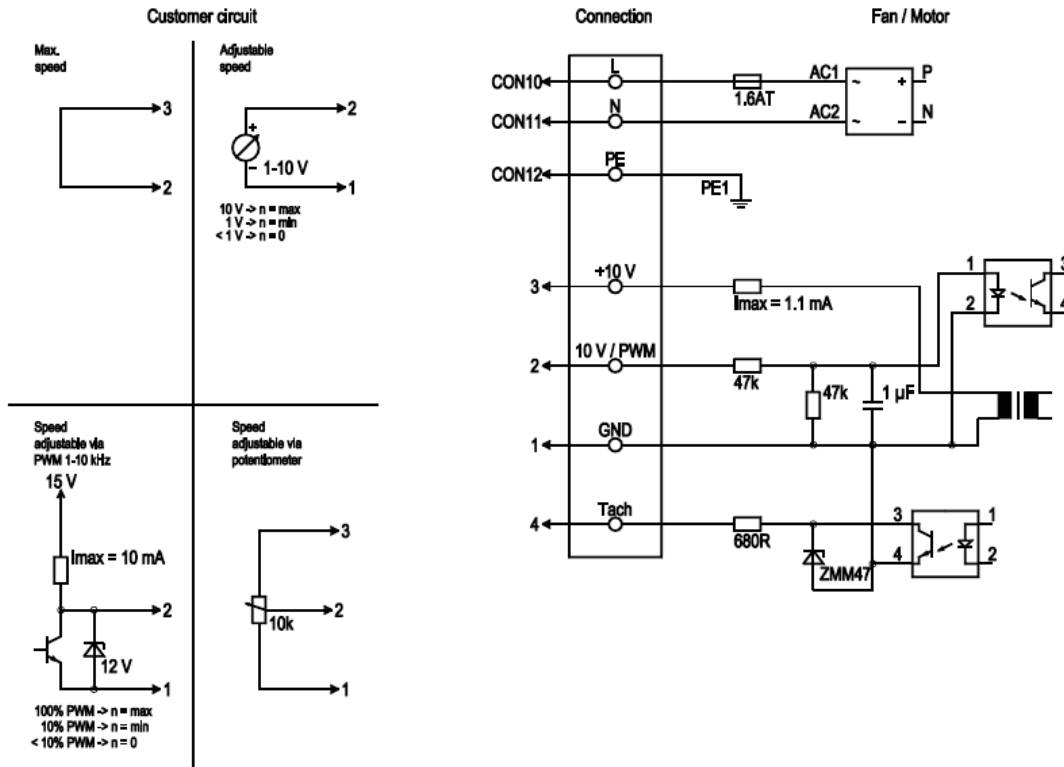
Drawing



1	Cable PVC AWG22, 4x crimped splices
2	Cable PVC AWG20, 3x crimped splices
3	Mounting dimensions

Spare parts

Connection illustration



No.	Conn.	Designation	Color	Function/assignment
	CON10	L	black	Power supply 230 VAC, 50-60 Hz, see nameplate for voltage range
	CON11	N	blue	Neutral conductor
	CON12	PE	green/yellow	Protective earth
	1	GND	blue	GND connection for control interface
	2	0- 10V PWM	yellow	Control input 0-10 V or PWM, electrically isolated
	3	10V/ max 1.1mA	red	Voltage output 10 V / 1.1 mA, electrically isolated, not short-circuit-proof.
	4	Tach	white	Tach output: open collector, 1 pulse per revolution, electrically isolated





# 8300100028 - Backward curved, single intake

EC centrifugal fans - RadiCal

[Back to product overview:](#)



## Material/surface

- Rotor: Thick-film passivated
- Housing: PA plastic
- Impeller: PA plastic
- Number of blades: 7

## Technical description

- Direction of rotation: Right CW, seen on rotor
- Protection: IP54
- Isolation: B
- Mounting position: Any
- Mode of operation: Continuous (S1)
- Bearings: Ball bearings
- Motor protection: Electronic motor protection
- Cable: Variable, 450 mm

## Conformity with standards

- Norm: EN 60335-1; CE

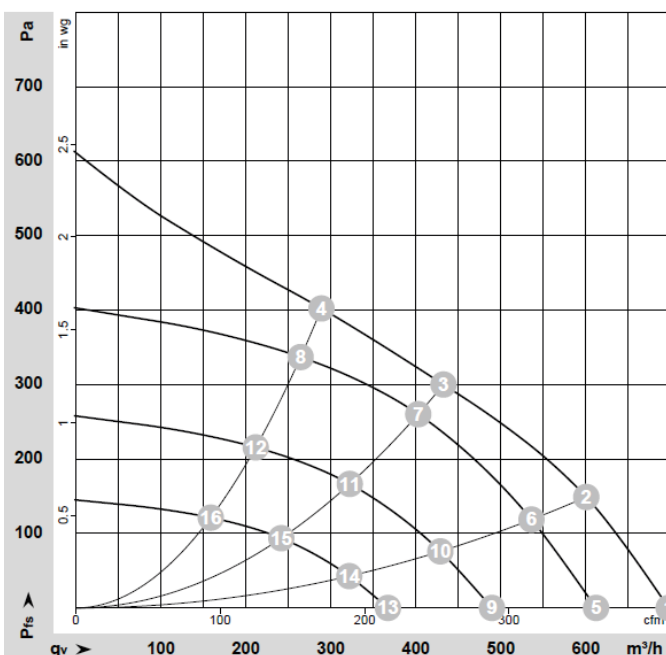
Go to	<a href="#">Pricelist</a>
Go to	<a href="#">Accessories</a>
Link to	<a href="#">ebm-papst operating instructions</a>
More at	<a href="#">www.ebmpapst.nl</a>

Nominal Data	Motor	Voltage	Frequency	Max. Air flow	Speed	Power consumption	Current draw	Capacitor capacity	Sound pressure level	Max. Back pressure	Perm. ambient temp.	Weight
Type		VAC	Hz	m3/h	rpm	W	A	µF/V	dB(A)	Pa	C	kg
8300100028	E06003-23	230	50/60	695	3200	83	0,75	-	-	400	-25..+60	1,5

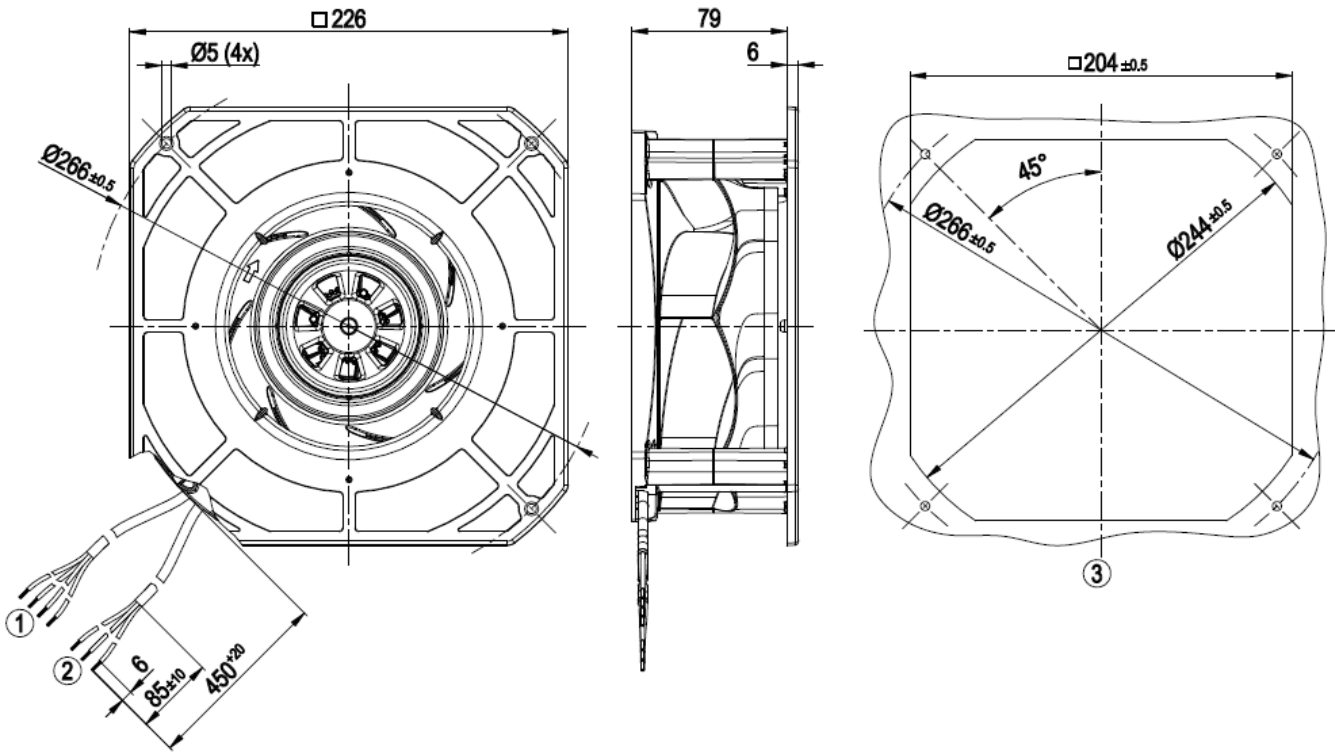
Subject to modification

[Pricelist](#)

## Pressure over air flow at 50Hz



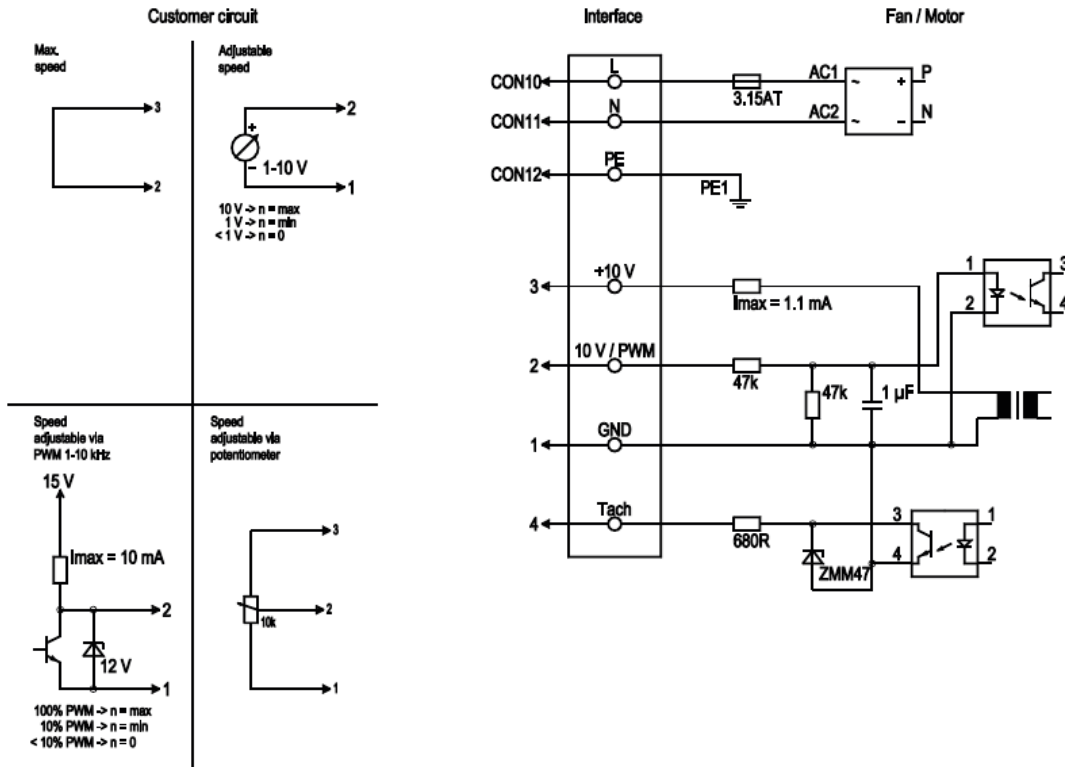
Drawing



1	Cable PVC AWG22, 4x crimped splices
2	Cable PVC AWG20, 3x crimped splices
3	Mounting dimensions

Spare parts

Connection illustration



No.	Conn.	Designation	Color	Function/assignment
	CON10	L	black	Power supply 230 VAC, 50-60 Hz, see nameplate for voltage range
	CON11	N	blue	Neutral conductor
	CON12	PE	green/yellow	Protective earth
	1	GND	blue	GND connection for control interface
	2	0-10V PWM	yellow	Control input 0-10 V or PWM, electrically isolated
	3	10 V / max. 1.1 mA	red	Voltage output 10 VDC 1.1 mA, electrically isolated, short-circuit-proof
	4	Tacho	white	Tach output: open collector, 1 pulse per revolution, electrically isolated



# 8300100183 - Backward curved, single intake

EC centrifugal fans - RadiCal



[Back to product overview:](#)



### Material/surface

- Rotor: Thick-film passivated
- Housing: PA plastic
- Impeller: PA plastic
- Number of blades: 7

### Technical description

- Direction of rotation: Right CW, seen on rotor
- Protection: IP54
- Isolation: B
- Mounting position: Any
- Mode of operation: Continuous (S1)
- Bearings: Ball bearings
- Motor protection: Electronic motor protection
- Cable: Variable, 450 mm

### Conformity with standards

- Norm: EN 60335-1; CE

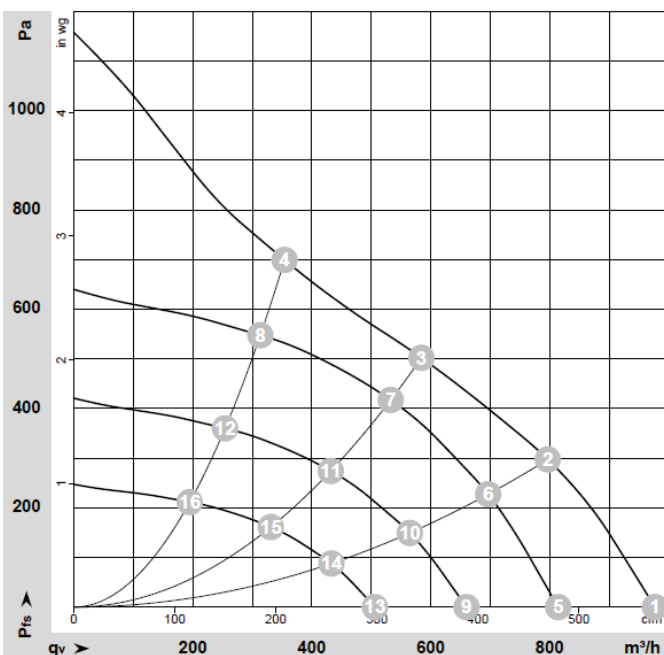
Go to	<a href="#">Pricelist</a>
Go to	<a href="#">Accessories</a>
Link to	<a href="#">ebm-papst operating instructions</a>
More at	<a href="http://www.ebmpapst.nl">www.ebmpapst.nl</a>

Nominal Data		Voltage	Frequency	Max. Air flow	Speed	Power consumption	Current draw	Capacitor capacity	Sound pressure level	Max. Back pressure	Perm. ambient temp.	Weight
Type	Motor	VAC	Hz	m3/h	rpm	W	A	µF/V	dB(A)	Pa	C	kg
8300100183	E06001-10	230	50/60	975	4120	169	1,35	-	-	700	-25..+60	1,8

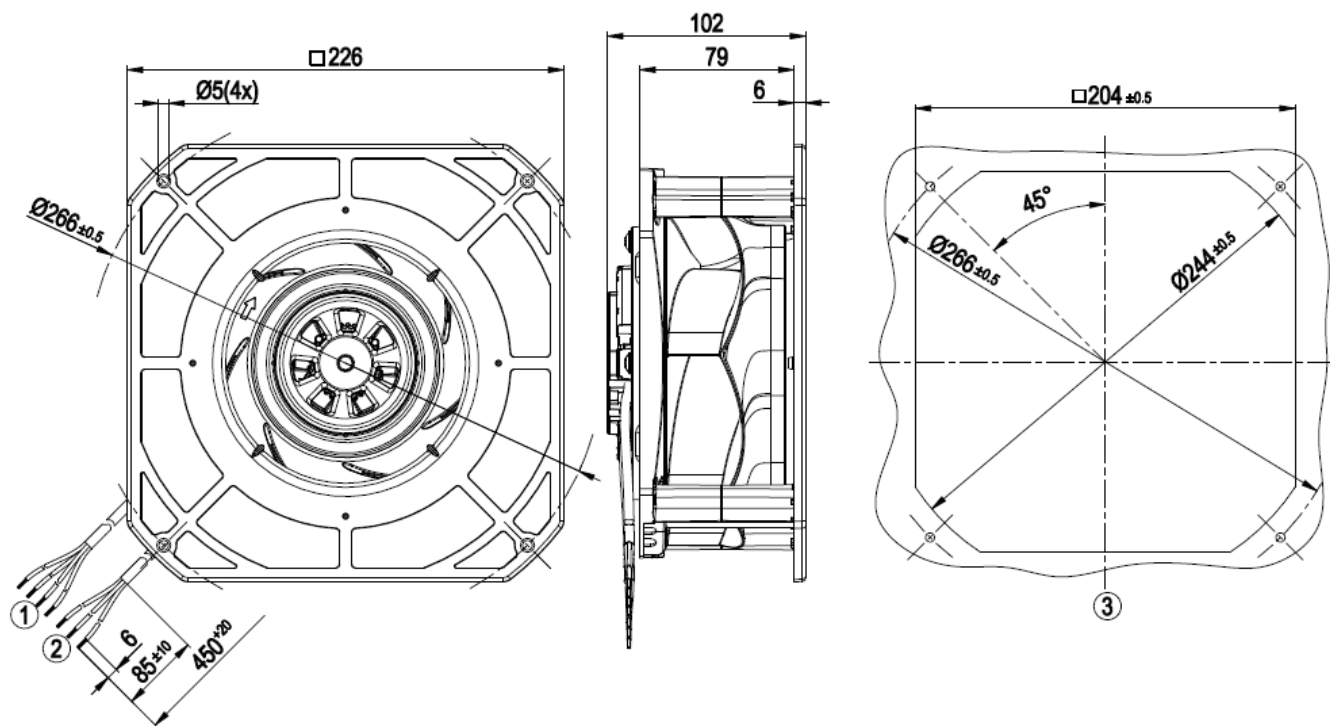
Subject to modification

[Pricelist](#)

### Pressure over air flow at 50Hz

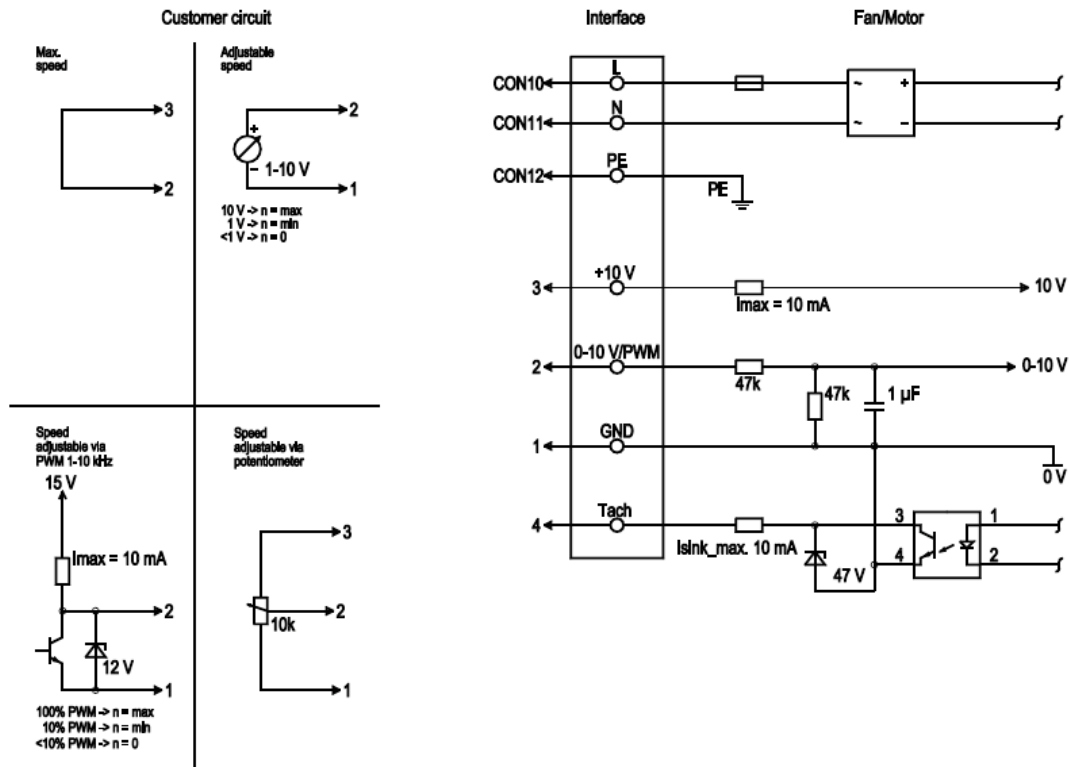


Drawing



1	Cable PVC AWG20, 3x crimped splices
2	Cable PVC AWG22, 4x crimped splices
3	Mounting dimensions

Connection illustration



No.	Conn.	Designation	Color	Function/assignment
	CON10	L	black	Supply connection, power supply, phase, see nameplate for voltage range
	CON11	N	blue	Supply connection, power supply, neutral conductor, see nameplate for voltage range
	CON12	PE	green/yellow	Ground connection
	2	0- 10V PWM	yellow	0-10 V / PWM control input, Ri=100 kΩ, SELV
	4	Tach	white	Tach output, open collector, 1 pulse per revolution, Isink max = 10 mA, SELV
	3	+10 V	red	Fixed voltage output 10 VDC +/- 3 %, Imax. 10 mA, short-circuit-proof, power supply for ext. devices (e.g. pot), SELV
	1	GND	blue	Reference ground for control interface, SELV





# 8300100170 - Backward curved, single intake

## EC centrifugal fans - RadiCal

Back to product overview:



### Material/surface

- Rotor: Thick-film passivated
- Housing: PA plastic
- Impeller: PA plastic
- Number of blades: 7

### Technical description

- Direction of rotation: Right CW, seen on rotor
- Protection: IP54
- Isolation: B
- Mounting position: Any
- Mode of operation: Continuous (S1)
- Bearings: Ball bearings
- Motor protection: Electronic motor protection
- Cable: Variable, 450 mm

### Conformity with standards

- Norm: EN 60335-1; CE

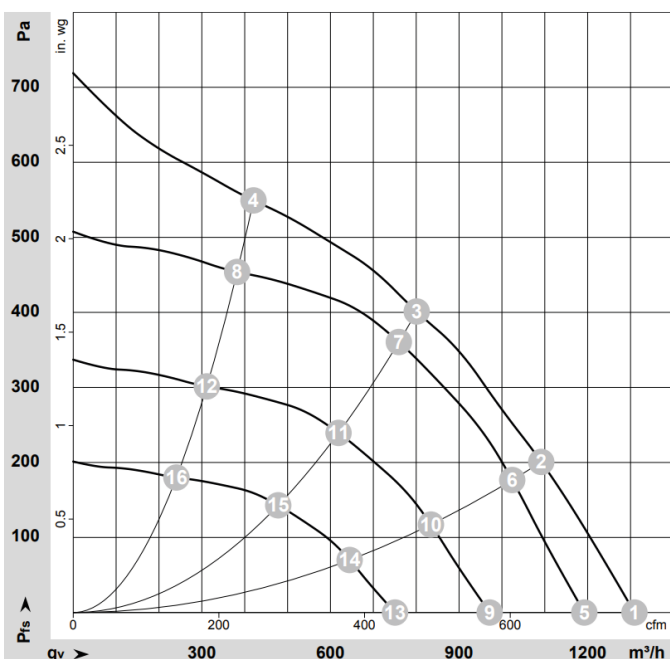
Go to	<a href="#">Pricelist</a>
Go to	<a href="#">Accessories</a>
Link to	<a href="#">ebm-papst operating instructions</a>
More at	<a href="http://www.ebmpapst.nl">www.ebmpapst.nl</a>

Nominal Data	Motor	Voltage	Frequency	Max. Air flow	Speed	Power consumption	Current draw	Capacitor capacity	Sound pressure level	Max. Back pressure	Perm. ambient temp.	Weight
Type	VAC	Hz	m3/h	rpm	W	A	μF/V	dB(A)	Pa	C	kg	
8300100170	E06003-30	230	50/60	1310	2860	170	1,4	-	-	550	-25..+60	2,5

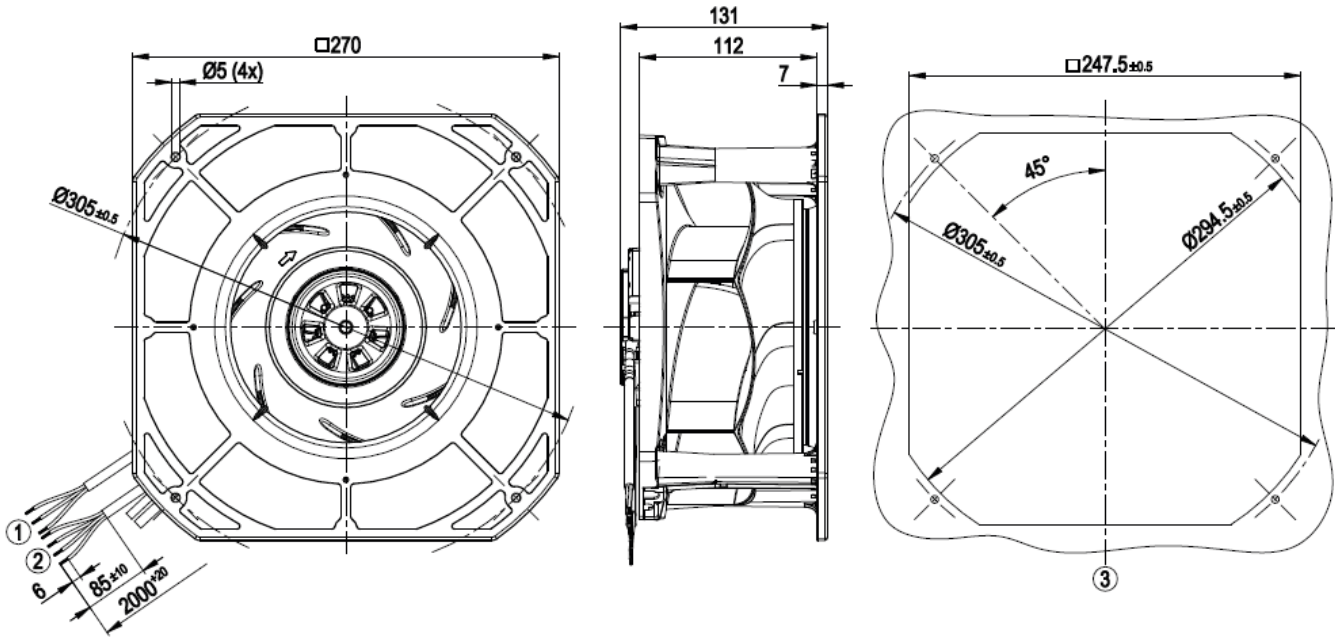
Subject to modification

[Pricelist](#)

### Pressure over air flow at 50Hz



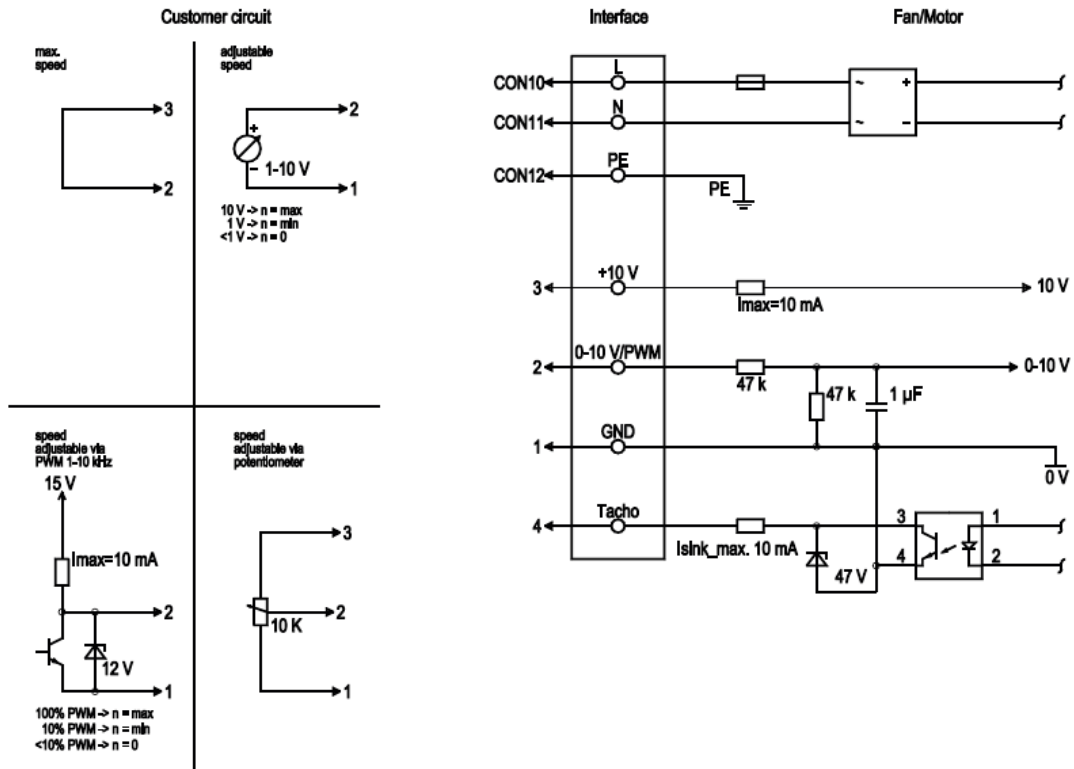
Drawing



1	Connection line PVC AWG20, 3x lead tips crimped
2	Connection line PVC AWG22, 4x lead tips crimped
3	Mounting dimensions

Spare parts

Connection illustration



No.	Conn.	Designation	Colour	Function / assignment
	CON10	L	black	Mains connection, power supply, phase, see type plate for voltage range
	CON11	N	blue	Mains connection, power supply, neutral conductor, see type plate for voltage range
	CON12	PE	green/yellow	Earth connection
	2	0- 10V PWM	yellow	0-10 V/PWM control input, $R_i=100\text{ k}\Omega$ , SELV
	4	Tach	white	Speed monitoring output, open collector, 1 pulse per revolution, $I_{\text{sink max}} = 10\text{ mA}$ , SELV
	3	+10 V	red	Fixed voltage output 10 VDC $\pm 3\%$ , $I_{\text{max.}} 10\text{ mA}$ , short-circuit-proof, power supply for ext. devices (e.g. potentiometer), SELV
	1	GND	blue	Signal ground for control interface, SELV



# 8300100177 - Backward curved, single intake

EC centrifugal fans - RadiCal

[Back to product overview:](#)



## Material/surface

- Rotor: Thick-film passivated
- Housing: PA plastic
- Impeller: PA plastic
- Number of blades: 7

## Technical description

- Direction of rotation: Right CW, seen on rotor
- Protection: IP54
- Isolation: B
- Mounting position: Any
- Mode of operation: Continuous (S1)
- Bearings: Ball bearings
- Motor protection: Electronic motor protection
- Cable: Variable, 450 mm

## Conformity with standards

- Norm: EN 60335-1; CE

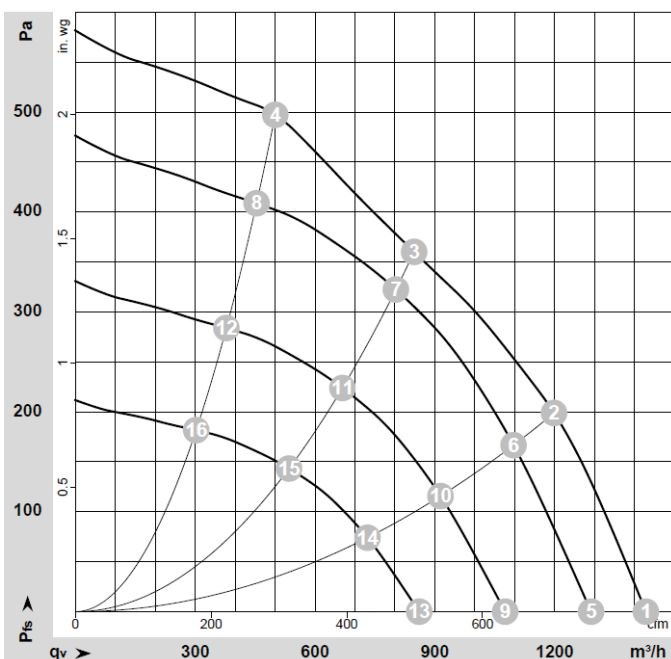
Go to	<a href="#">Pricelist</a>
Go to	<a href="#">Accessories</a>
Link to	<a href="#">ebm-papst operating instructions</a>
More at	<a href="#">www.ebmpapst.nl</a>

Nominal Data	Type	Motor	Voltage	Frequency	Max. Air flow	Speed	Power consumption	Current draw	Capacitor capacity	Sound pressure level	Max. Back pressure	Perm. ambient temp.	Weight
			VAC	Hz	m3/h	rpm	W	A	µF/V	dB(A)	Pa	C	kg
	8300100177	E06003-30	230	50/60	1430	2510	170	1,4	-	-	500	-25..+60	2,7

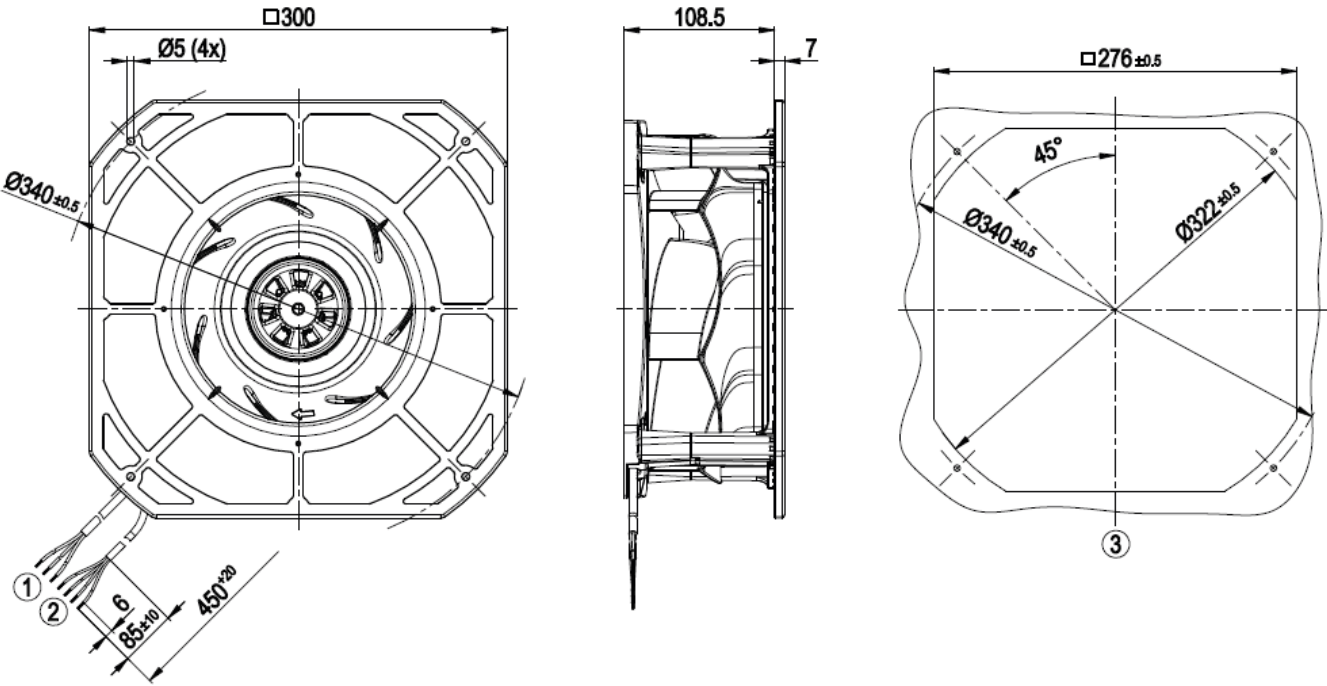
Subject to modification

[Pricelist](#)

## Pressure over air flow at 50Hz



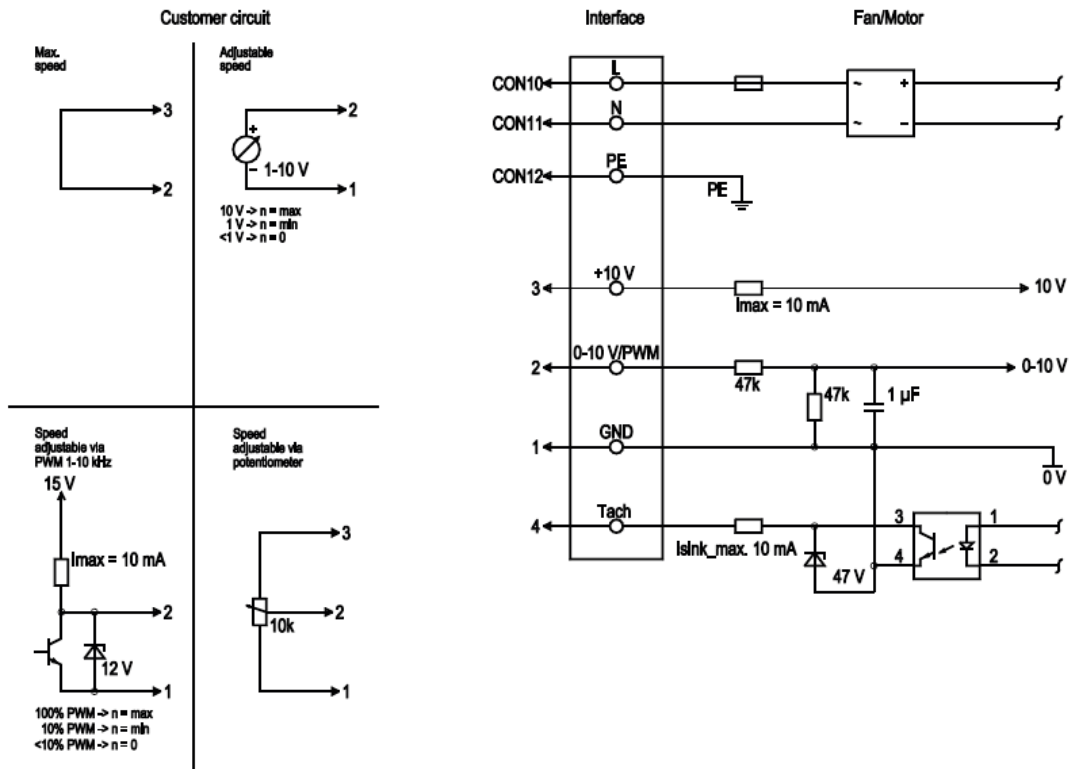
Drawing



1	Cable PVC AWG22, 4x crimped splices
2	Cable PVC AWG20, 3x crimped splices
3	Mounting dimensions

Spare parts

Connection illustration



No.	Conn.	Designation	Color	Function/assignment
	CON10	L	black	Supply connection, power supply, phase, see nameplate for voltage range
	CON11	N	blue	Supply connection, power supply, neutral conductor, see nameplate for voltage range
	CON12	PE	green/yellow	Ground connection
	2	0- 10V PWM	yellow	0-10 V / PWM control input, $R_i=100\text{ k}\Omega$ , SELV
	4	Tach	white	Tach output, open collector, 1 pulse per revolution, $I_{\text{sink max}} = 10\text{ mA}$ , SELV
	3	+10 V	red	Fixed voltage output 10 VDC $\pm 3\%$ , $I_{\text{max}}. 10\text{ mA}$ , short-circuit-proof, power supply for ext. devices (e.g. pot), SELV
	1	GND	blue	Reference ground for control interface, SELV





# K3G250AV29B2 - Backward curved, single intake

## EC centrifugal fans - RadiPac



[Back to product overview:](#)



### Material/surface

- Electronics housing: Die-cast aluminium
- Impeller: Sheet aluminium
- Number of blades: 7

### Technical description

- Direction of rotation: Right CW, seen on rotor
- Protection: IP54
- Isolation: B
- Mounting position: Shaft horizontal or rotor on bottom; rotor on top on request
- Mode of operation: Continuous (S1)
- Bearings: Ball bearings
- Motor protection: Thermal Overload Protector (TOP) - wired internally
- Electrical hookup: Via terminal box
- Cable: Variable, 450 mm

### Conformity with standards

- Norm: EN 61800-5-1; CE

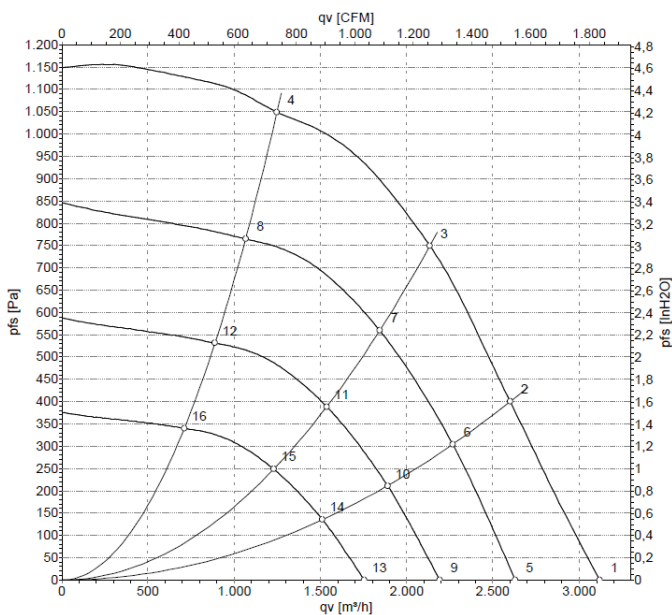
Go to	<a href="#">Pricelist</a>
Go to	<a href="#">Accessories</a>
Link to	<a href="#">ebm-papst operating instructions</a>
More at	<a href="#">www.ebmpapst.nl</a>

Nominal Data		Voltage	Frequency	Max. Air flow	Speed	Power consumption	Current draw	Capacitor capacity	Sound pressure level	Max. Back pressure	Perm. ambient temp.	Weight
Type	Motor	VAC	Hz	m3/h	rpm	W	A	µF/V	dB(A)	Pa	C	kg
K3G250AV29B2	M3G084-FA	230	50/60	3120	3450	750	3,3	-	-	1050	-25..+40	10,1

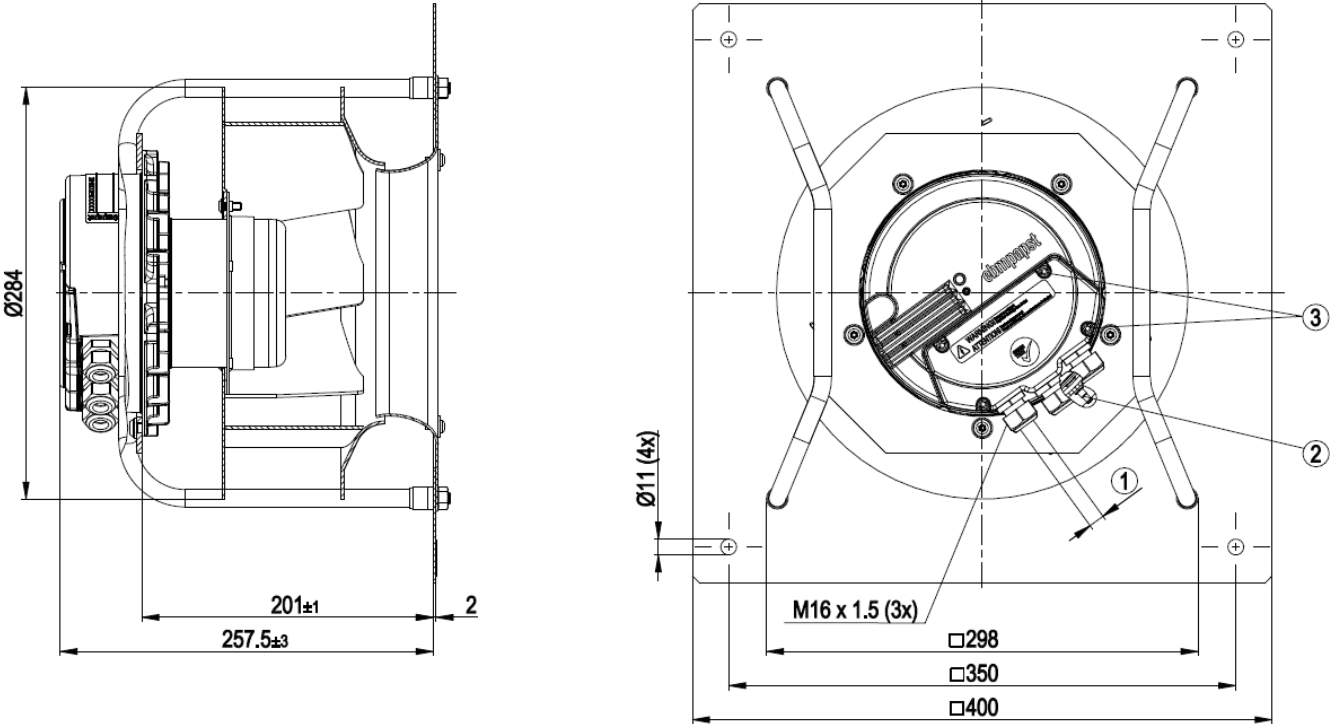
Subject to modification

[Pricelist](#)

### Pressure over air flow at 50Hz



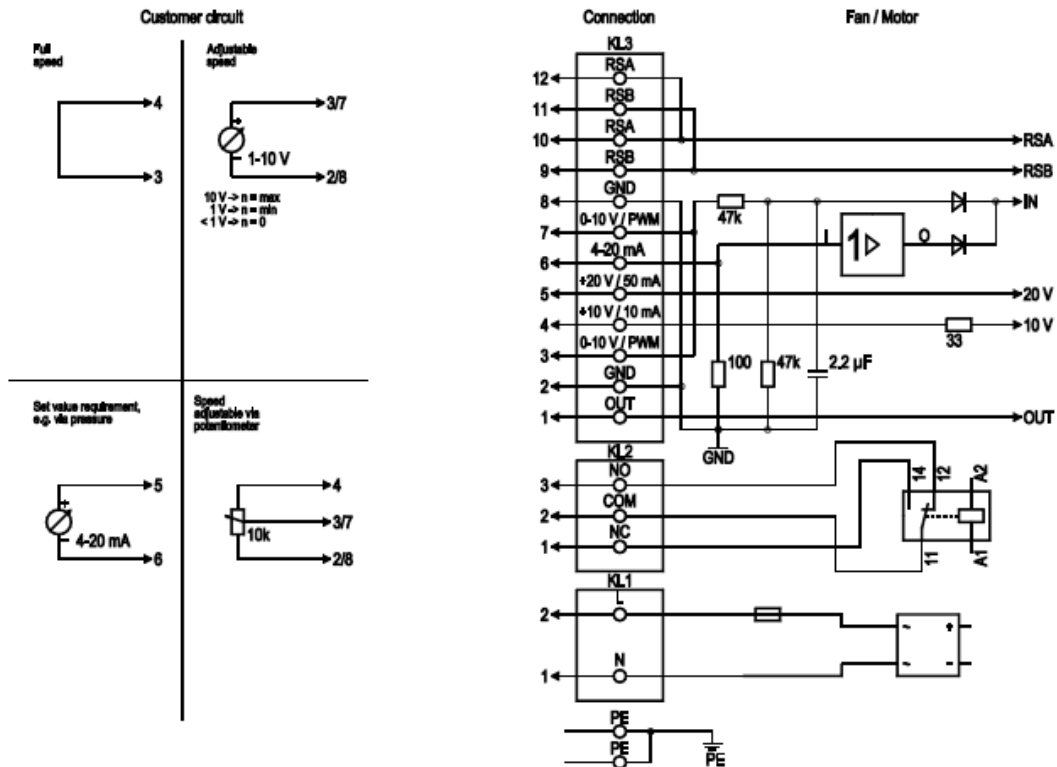
Drawing



1	Cable diameter min. 4 mm, max. 10 mm; tightening torque $2.5 \pm 0.4$ Nm
2	Inlet ring with pressure tap (k-factor: 70)
3	Tightening torque $3.5 \pm 0.5$ Nm

Spare parts

Connection illustration



No.	Conn.	Designation	Function/assignment
PE	-	PE	Protective earth terminal
KL1	1, 2	N, L	Power supply 50/60 Hz
KL2	1	NC	Floating status contact, break for failure
KL2	2	COM	Floating status contact, changeover contact, common connection (2 A, max. 250 VAC, min. 10 mA, AC1)
KL2	3	NO	Floating status contact, make for failure
KL3	1	OUT	Analog output, 0-10 VDC, max. 3 mA, SELV output of current motor modulation level: 1 V corresponds to 10% modulation level. 10 V corresponds to 100% modulation level.
KL3	2, 8	GND	Reference ground for control interface, SELV
KL3	3, 7	0-10 V	Control/current sensor value input 0-10 VDC, impedance 100 kΩ, use only as alternative to 4-20 mA input, SELV
KL3	4	+10 V	Voltage output 10 VDC (+/- 3%), max. 10 mA, power supply for ext. devices (e.g. potentiometer), SELV
KL3	5	+20 V	Voltage output 20 VDC (+25%/-10%), max. 50 mA power supply for ext. devices (e.g. sensors), SELV
KL3	6	4-20 mA	Control/current sensor value input 4-20 mA, impedance 100 Ω, use only as alternative to 0-10 V input, SELV
KL3	9, 11	RSB	RS485 interface for MODBUS, RSB
KL3	10, 12	RSA	RS485 interface for MODBUS, RSA



# K3G310PT08J2 - Backward curved, single intake

## EC centrifugal fans - RadiPac



[Back to product overview:](#)



### Material/surface

- Electronics housing: Die-cast aluminium
- Impeller: Sheet aluminium
- Number of blades: 5

### Technical description

- Direction of rotation: Right CW, seen on rotor
- Protection: IP55
- Isolation: F
- Mounting position: Shaft horizontal or rotor on bottom; rotor on top on request
- Mode of operation: Continuous (S1)
- Bearings: Ball bearings
- Motor protection: Thermal Overload Protector (TOP) - wired internally
- Electrical hookup: Via terminal box

### Conformity with standards

- Norm: EN 61800-5-1; CE

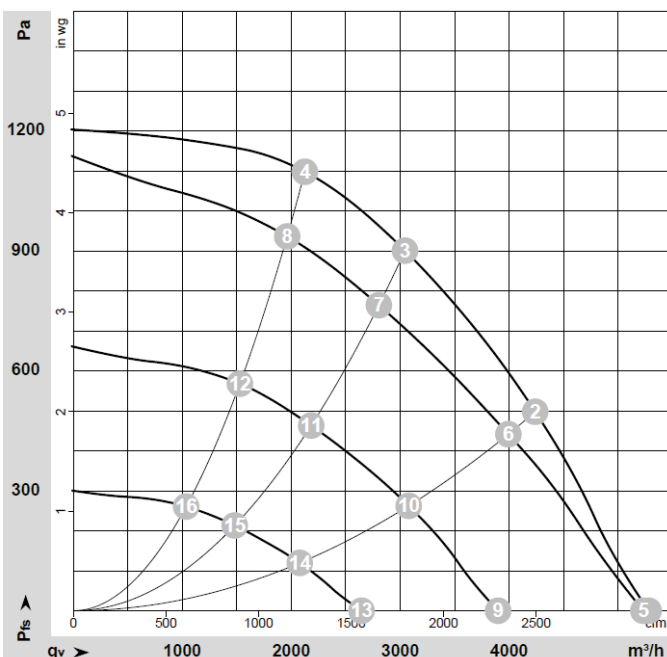
Go to	<a href="#">Pricelist</a>
Go to	<a href="#">Accessories</a>
Link to	<a href="#">ebm-papst operating instructions</a>
More at	<a href="#">www.ebmpapst.nl</a>

Nominal Data	Type	Motor	Voltage	Frequency	Max. Air flow	Speed	Power consumption	Current draw	Capacitor capacity	Sound pressure level	Max. Back pressure	Perm. ambient temp.	Weight
			VAC	Hz	m3/h	rpm	W	A	µF/V	dB(A)	Pa	C	kg
	K3G310PT08J2	M3G084-GF	400	50/60	5280	3010	1230	1,9	-	-	1100	-25..+40	15,5

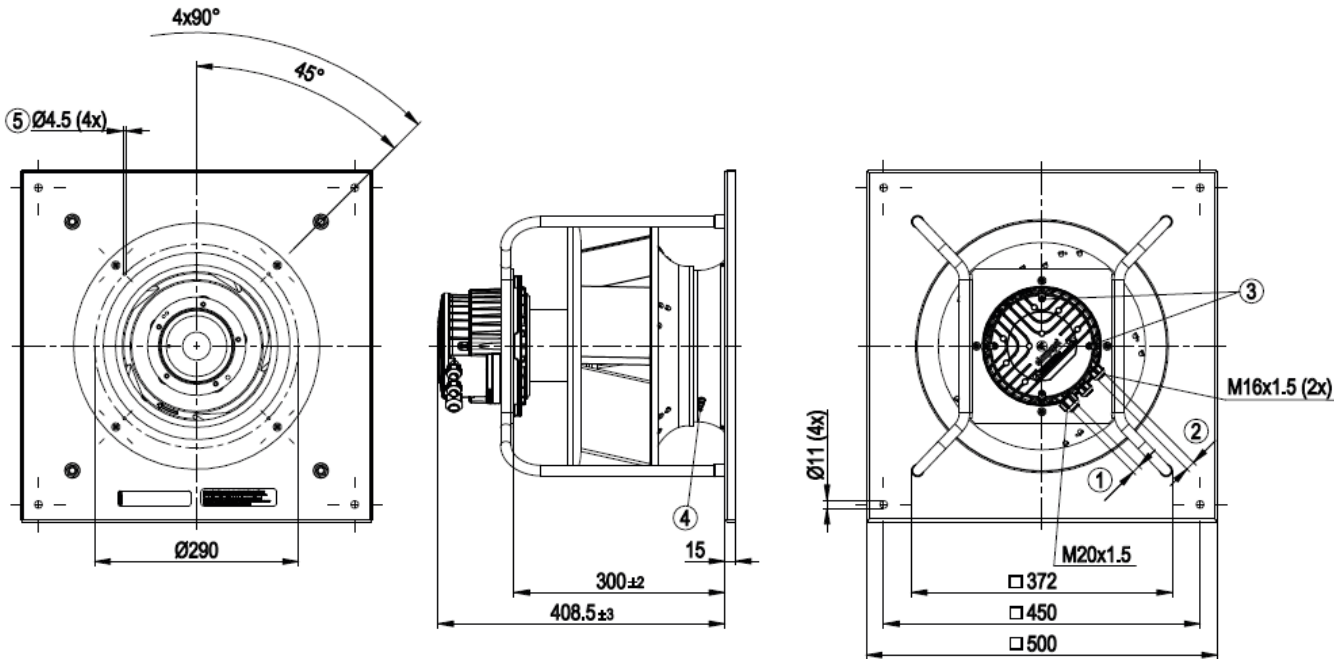
Subject to modification

[Pricelist](#)

### Pressure over air flow at 50Hz



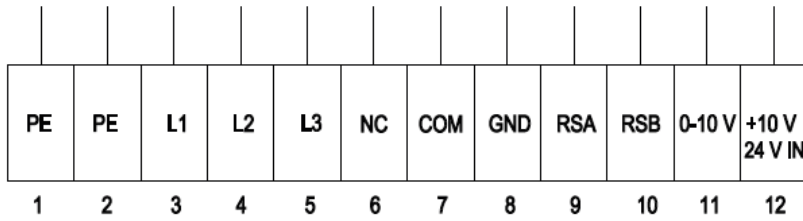
Drawing



1	Cable diameter min. 8 mm, max. 12 mm, tightening torque $2.5 \pm 0.4$ Nm
2	Cable diameter min. 6 mm, max. 10 mm, tightening torque $2.5 \pm 0.4$ Nm Cable diameter min. 4 mm, max. 7 mm, tightening torque $2.5 \pm 0.4$ Nm (included seal must be used)
3	Tightening torque $1.5 \pm 0.2$ Nm
4	Inlet ring with pressure tap (k-factor: 116)
5	Mounting holes for FlowGrid

Spare parts

Connection illustration



No.	Conn.	Designation	Function/assignment
1	PE	PE	Protective earth
2	PE	PE	Protective earth
3	L1	L1	Power supply
4	L2	L2	Power supply
5	L3	L3	Power supply
6	NC	NC	Status relay, floating status contact, break for failure, contact rating 250 VAC / 2 A (AC1) / min. 10 mA; reinforced insulation on supply side and basic insulation on control interface side
7	COM	COM	Status relay, floating status contact, break for failure, contact rating 250 VAC / 2 A (AC1) / min. 10 mA; reinforced insulation on supply side and basic insulation on control interface side
8	GND	GND	Reference ground for control interface, SELV
9	RSA	RSA	RS485 interface for MODBUS, RSA; SELV
10	RSB	RSB	RS485 interface for MODBUS, RSB; SELV
11	0-10 V	0-10 V	Analog input (set value) SELV, 0-10 V, Ri = 100 kΩ, adjustable curve
12	+10 V	+10 V	Fixed voltage output 10 VDC, SELV, +10 V ±3%, max. 10 mA, short-circuit-proof, power supply for external devices (e.g. pot); fixed voltage input 24 VDC for setting parameters via MODBUS without line voltage supply





# K3G400RS03H2 - Backward curved, single intake

## EC centrifugal fans - RadiCal



[Back to product overview:](#)



### Material/surface

- Electronics housing: Die-cast aluminium
- Impeller: PA plastic
- Number of blades: 6

### Technical description

- Direction of rotation: Right CW, seen on rotor
- Protection: IP55
- Isolation: F
- Mounting position: Shaft horizontal or rotor on bottom; rotor on top on request
- Mode of operation: Continuous (S1)
- Bearings: Ball bearings
- Motor protection: Thermal Overload Protector (TOP) - wired internally
- Cable: Variable

### Conformity with standards

- Norm: EN 61800-5-1; EN 60335-1; CE

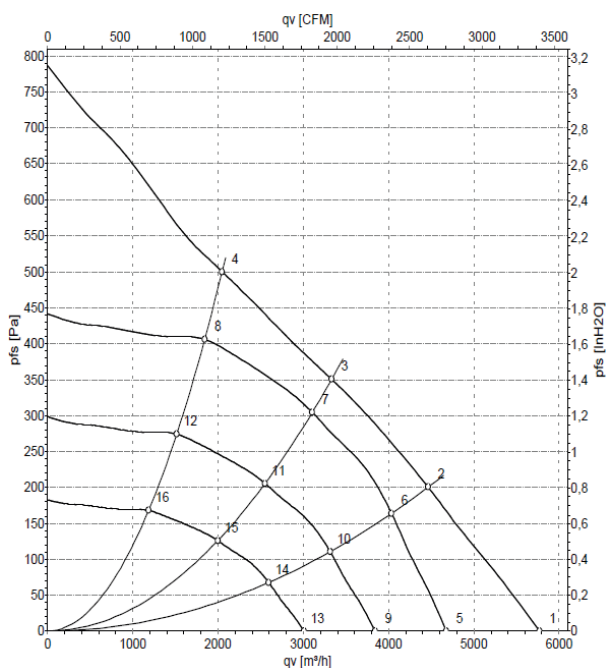
Go to	<a href="#">Pricelist</a>
Go to	<a href="#">Accessories</a>
Link to	<a href="#">ebm-papst operating instructions</a>
More at	<a href="#">www.ebmpapst.nl</a>

Nominal Data		Voltage	Frequency	Max. Air flow	Speed	Power consumption	Current draw	Capacitor capacity	Sound pressure level	Max. Back pressure	Perm. ambient temp.	Weight
Type	Motor	VAC	Hz	m3/h	rpm	W	A	μF/V	dB(A)	Pa	C	kg
K3G400RS03H2	M3G084-FA	230	50/60	5770	1500	500	2,2	-	-	500	-25..+50	13,1

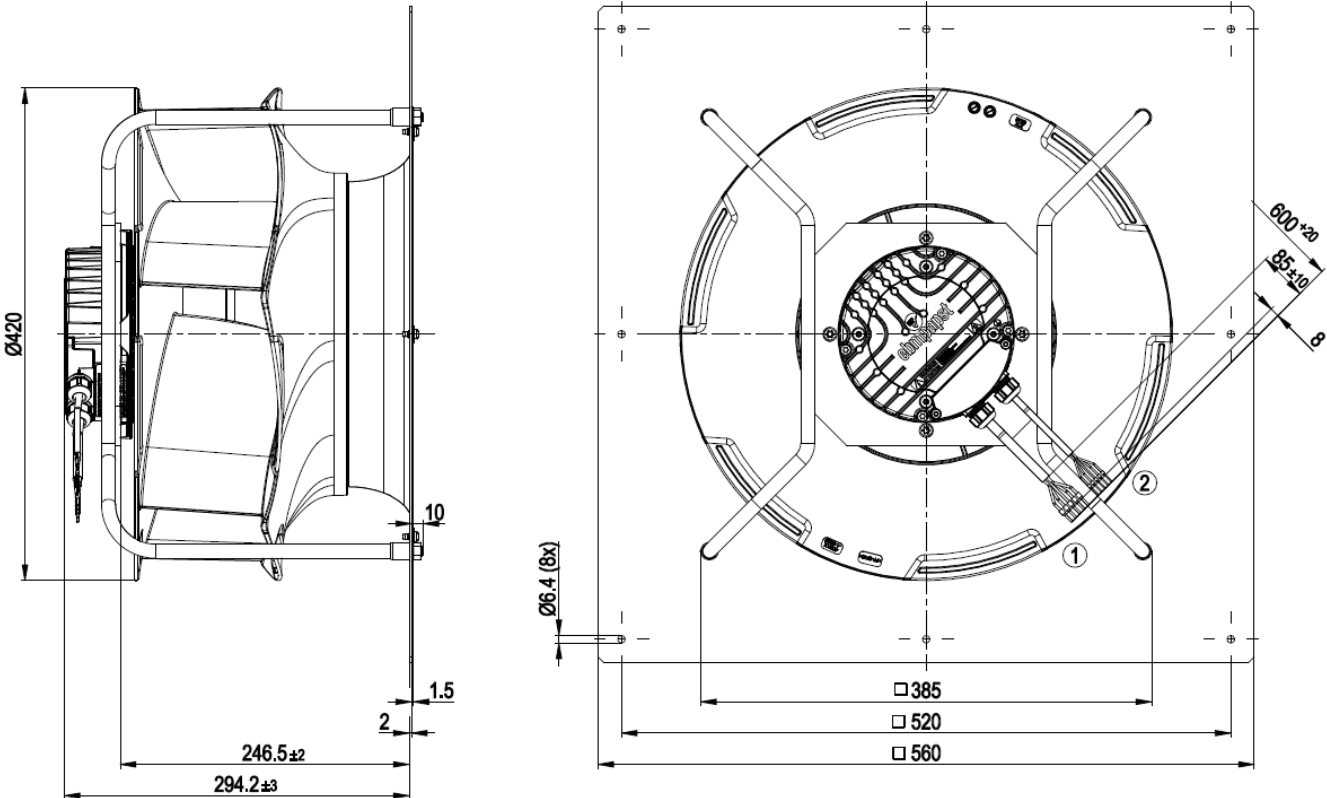
Subject to modification

[Pricelist](#)

### Pressure over air flow at 50Hz



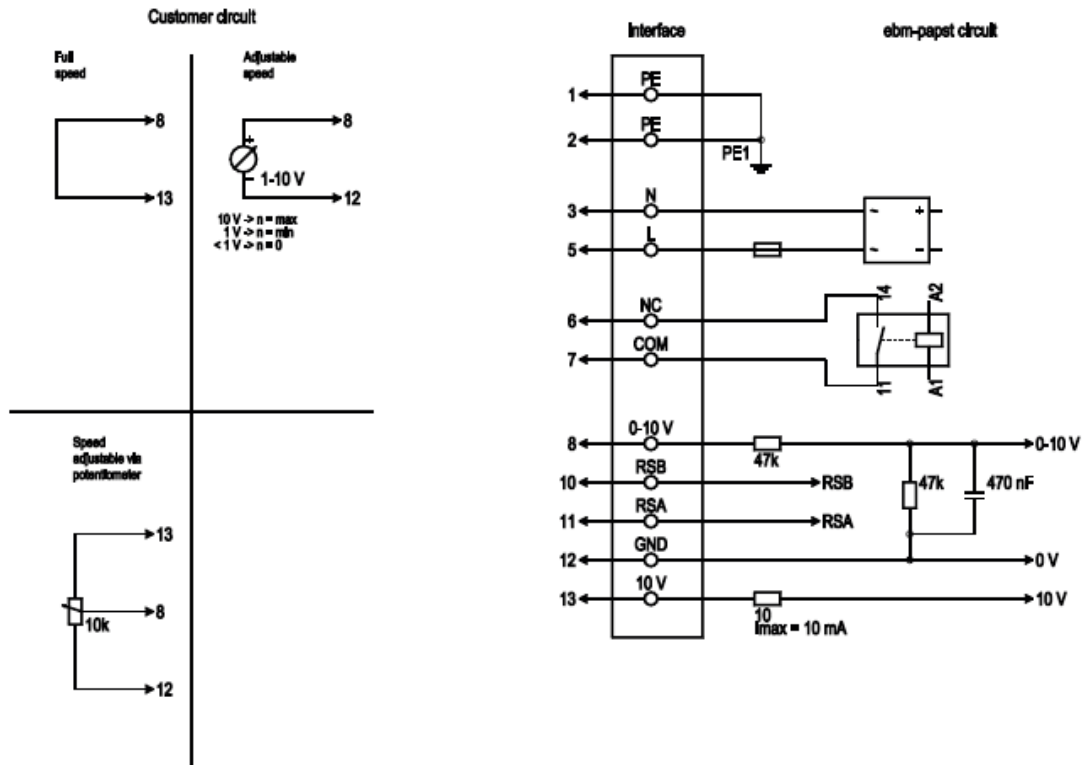
Drawing



- 1 Cable PVC AWG18, 5x crimped ferrules
- 2 Cable PVC AWG22, 5x crimped ferrules

Spare parts

Connection illustration



No.	Conn.	Designation	Color	Function/assignment
1	1, 2	PE	green/yellow	Protective earth
1	3	N	blue	Power supply, neutral conductor, 50/60 Hz
1	5	L	black	Power supply, phase, 50/60 Hz
1	6	NC	white 1	Status relay, floating status contact; break for failure, contact rating 250 VAC / 2A (AC1) / min. 10 mA, basic insulation on supply side and reinforced insulation on control interface side
1	7	COM	white 2	Status relay, floating status contact; common connection, contact rating 250 VAC / 2A (AC1) / min. 10 mA, basic insulation on supply side and reinforced insulation on control interface side
2	8	0-10V	yellow	Analog input (set value); 0-10 V; $R_i = 100\text{ k}\Omega$ ; adjustable curve
2	10	RSB	brown	RS485 interface for MODBUS, RSB
2	11	RSA	white	RS485 interface for MODBUS, RSA
2	12	GND	blue	Reference ground for control interface, SELV
2	13	+10V	red	Fixed voltage output 10 VDC, +10 V $\pm 3\%$ ; max. 10 mA; short-circuit-proof; power supply for external devices (e.g. pot)





# AC compact fans

**ebmpapst**

engineering a better life

# 8880 N - Size(mm): 80x80x38

AC compact fans



[Back to product overview:](#)



#### Material/surface

- Impeller: Sheet steel, painted black
- Housing: Die-cast aluminium
- Number of blades: 5

#### Technical description

- Direction of rotation: Clockwise, seen on rotor
- Airflow direction: Exhaust over struts
- Protection: IP20
- Bearings: Sintec sleeve bearing
- Motor protection: Protected from overload by impedance protection
- Cable: 310 mm

#### Conformity with standards

- Norm: IEC 60038

Go to	<a href="#">Pricelist</a>
Go to	<a href="#">Accessories</a>
Link to	<a href="#">ebm-papst operating instructions</a>
More at	<a href="http://www.ebmpapst.nl">www.ebmpapst.nl</a>

Nominal Data	Voltage	Frequency	Max. Air flow	Speed	Power consumption	Bearing	Sound pressure level	Service life 40 C	Service life at T max.	Perm. ambient temp.	Weight
Partnumber	VAC	Hz	m3/h	rpm	W		dB(A)	Hrs	Hrs	C	kg
9244014343	230	50	30	1750	9,0	sleeve	18	60000	25000	-10..+80	0,49

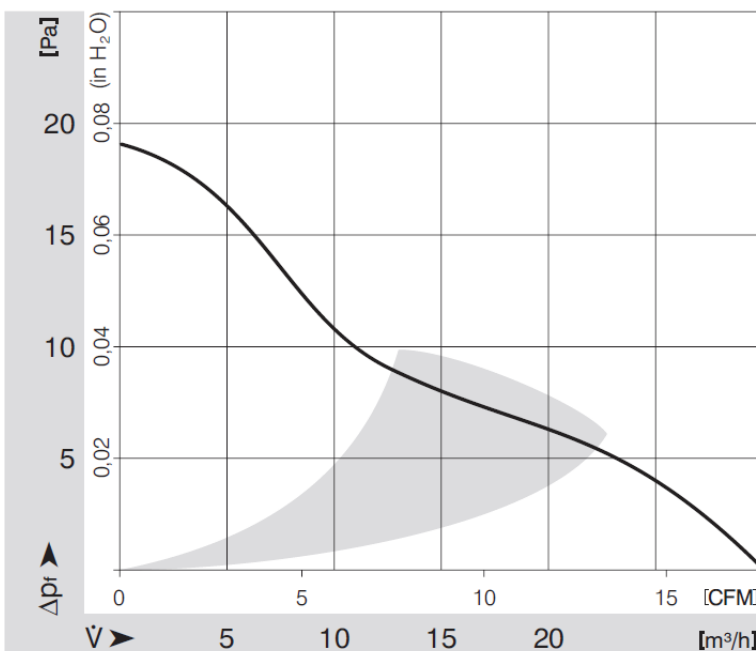
note: fans used at 60Hz have slightly more air performance

[Pricelist](#)

Guard grille

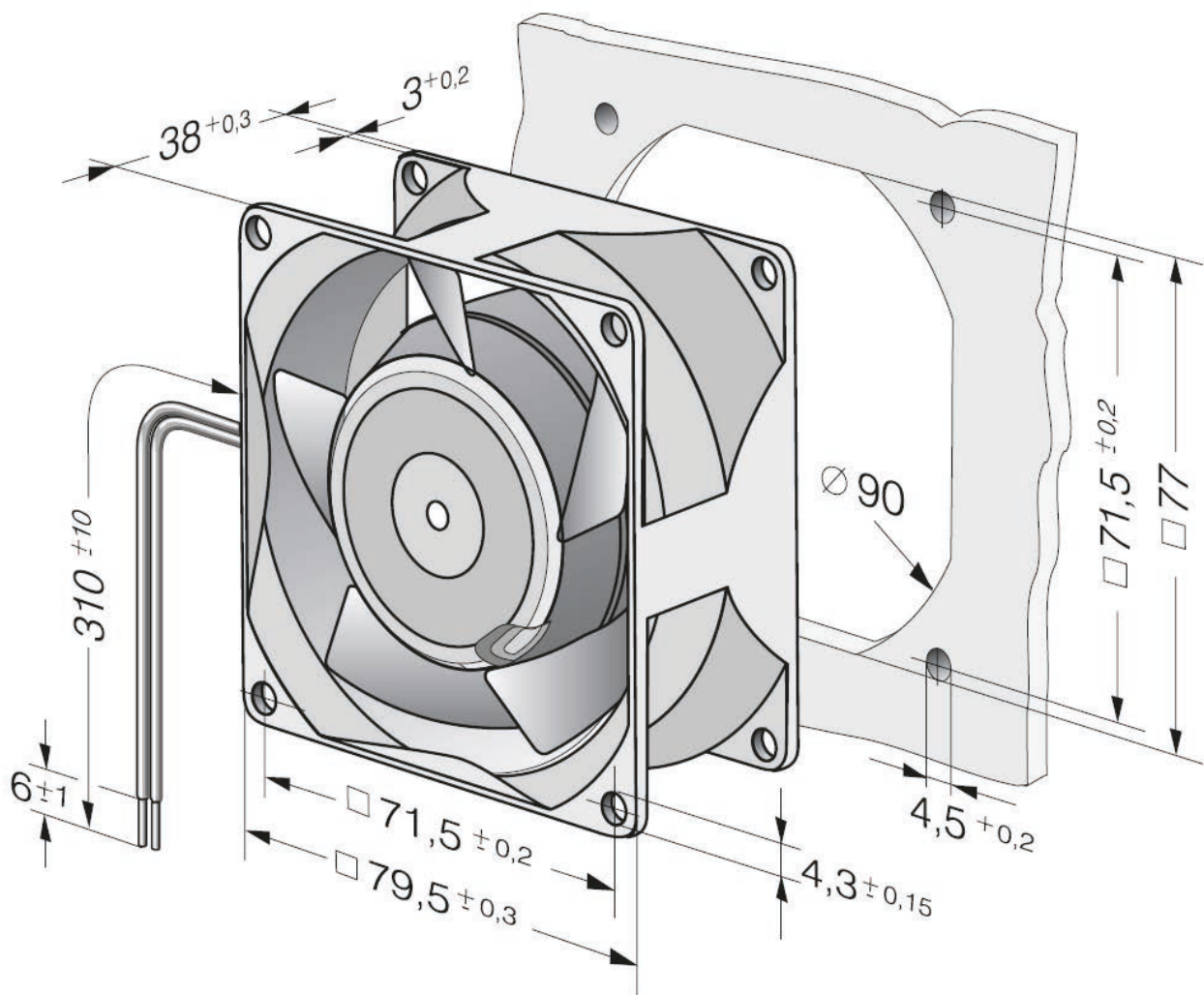
[9920032004](#)

#### Curves: Air performance





## Drawing



# 8550 N - Size(mm): 80x80x38

AC compact fans



[Back to product overview:](#)



#### Material/surface

- Impeller: Sheet steel, painted black
- Housing: Die-cast aluminium
- Number of blades: 5

#### Technical description

- Direction of rotation: Clockwise, seen on rotor
- Airflow direction: Exhaust over struts
- Protection: IP20
- Bearings: Sintec sleeve bearing
- Motor protection: Protected from overload by impedance protection
- Cable: 310 mm

#### Conformity with standards

- Norm: IEC 60038

[Go to Pricelist](#)

[Go to Accessories](#)

[Link to ebm-papst operating instructions](#)

[More at www.ebmpapst.nl](#)

Nominal Data	Voltage	Frequency	Max. Air flow	Speed	Power consumption	Bearing	Sound pressure level	Service life 40 C	Service life at T max.	Perm. ambient temp.	Weight
Partnumber	VAC	Hz	m3/h	rpm	W		dB(A)	Hrs	Hrs	C	kg
9274014208	230	50	50	2700	12	sleeve	30	52500	25000	-10..+70	0,49

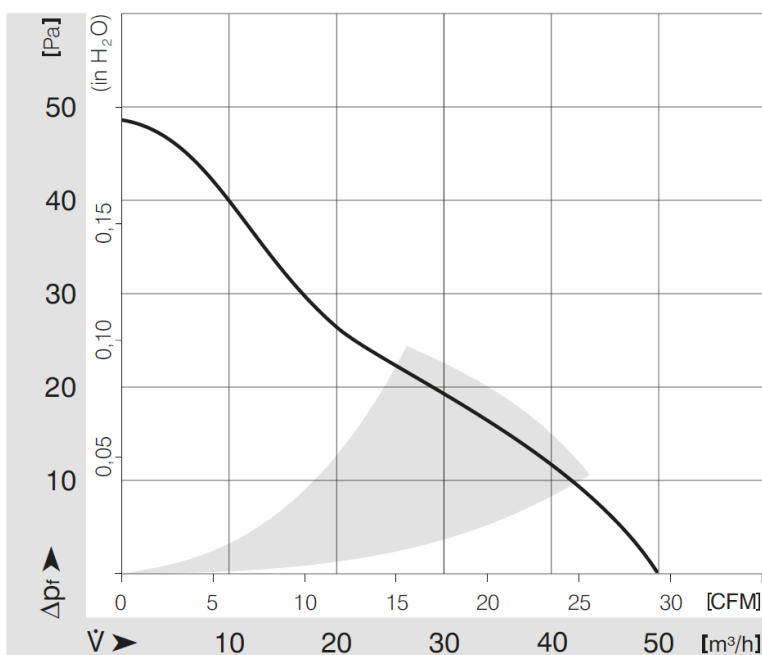
*note: fans used at 60Hz have slightly more air performance*

[Pricelist](#)

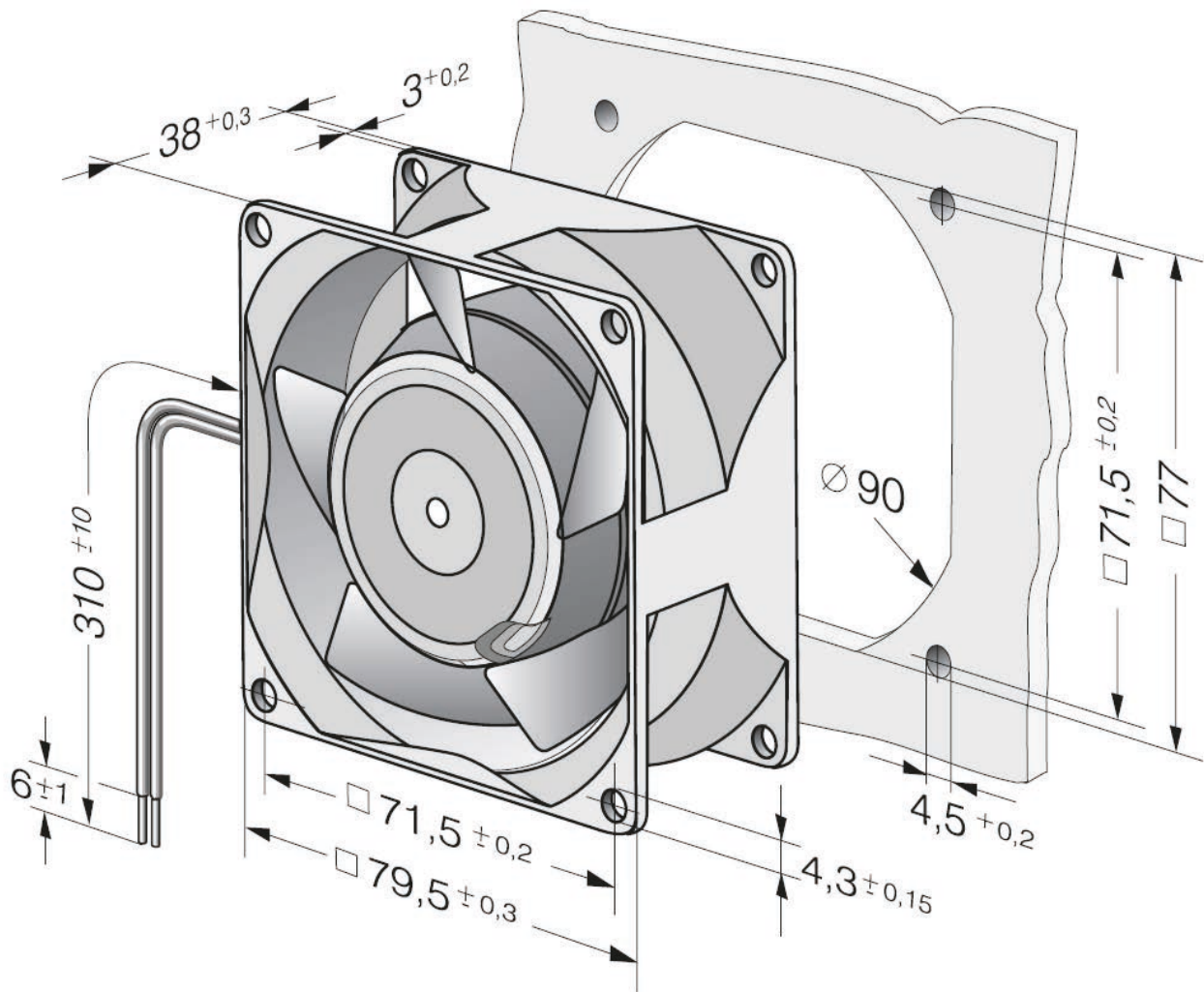
**Guard grille**

[9920032004](#)

#### Curves: Air performance



## Drawing



# 8556 N - Size(mm): 80x80x38

AC compact fans



[Back to product overview:](#)



#### Material/surface

- Impeller: Sheet steel, painted black
- Housing: Die-cast aluminium
- Number of blades: 5

#### Technical description

- Direction of rotation: Clockwise, seen on rotor
- Airflow direction: Exhaust over struts
- Protection: IP20
- Bearings: Ball bearing
- Motor protection: Protected from overload by impedance protection
- Cable: 310 mm

#### Conformity with standards

- Norm: IEC 60038

[Go to Pricelist](#)

[Go to Accessories](#)

[Link to ebm-papst operating instructions](#)

[More at www.ebmpapst.nl](#)

Nominal Data	Voltage	Frequency	Max. Air flow	Speed	Power consumption	Bearing	Sound pressure level	Service life 40 C	Service life at T max.	Perm. ambient temp.	Weight
Partnumber	VAC	Hz	m3/h	rpm	W		dB(A)	Hrs	Hrs	C	kg
9274014210	230	50	50	2800	12	sleeve	31	52500	15000	-40..+90	0,49

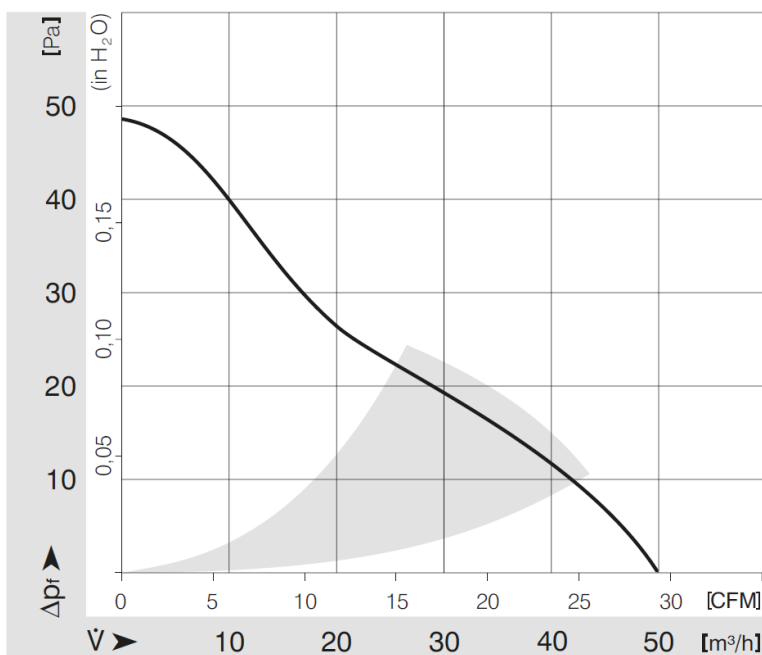
*note: fans used at 60Hz have slightly more air performance*

[Pricelist](#)

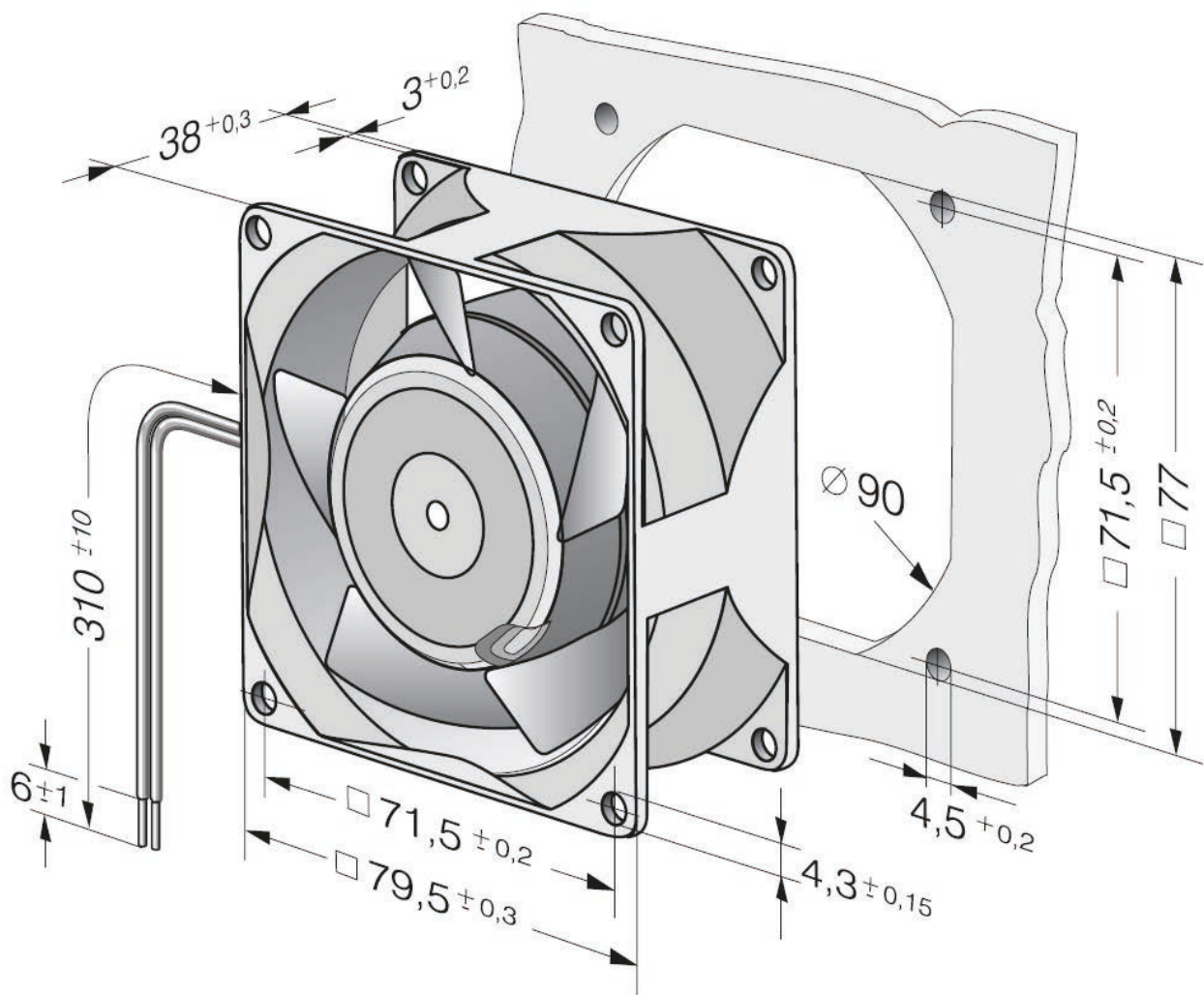
**Guard grille**

[9920032004](#)

#### Curves: Air performance



## Drawing



# 8556 N-696 - Size(mm): 80x80x38

AC compact fans



[Back to product overview:](#)



## Material/surface

- Impeller: Metal
- Housing: Metal
- Number of blades: 5

## Technical description

- Direction of rotation: Clockwise, seen on rotor
- Airflow direction: Exhaust over struts
- Protection: IP20
- Bearings: Ball bearings
- Motor protection: Protected from overload by impedance protection
- Cable: 310 mm

## Conformity with standards

- Norm: IEC 60038

[Go to Pricelist](#)

[Go to Accessories](#)

[Link to ebm-papst operating instructions](#)

[More at www.ebmpapst.nl](#)

Nominal Data	Voltage	Frequency	Max. Air flow	Speed	Power consumption	Bearing	Sound pressure level	Service life 40 C	Service life at T max.	Perm. ambient temp.	Weight
Partnumber	VAC	Hz	m3/h	rpm	W		dB(A)	Hrs	Hrs	C	kg
9244014696	230	50	50	2800	12	ball	31	52500	15000	-40..+90	0,38

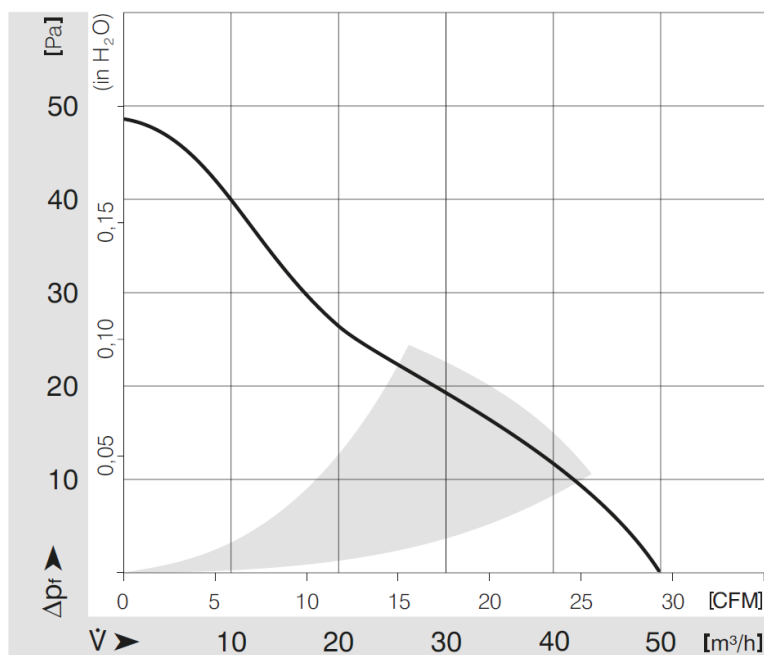
*note: fans used at 60Hz have slightly more air performance*

[Pricelist](#)

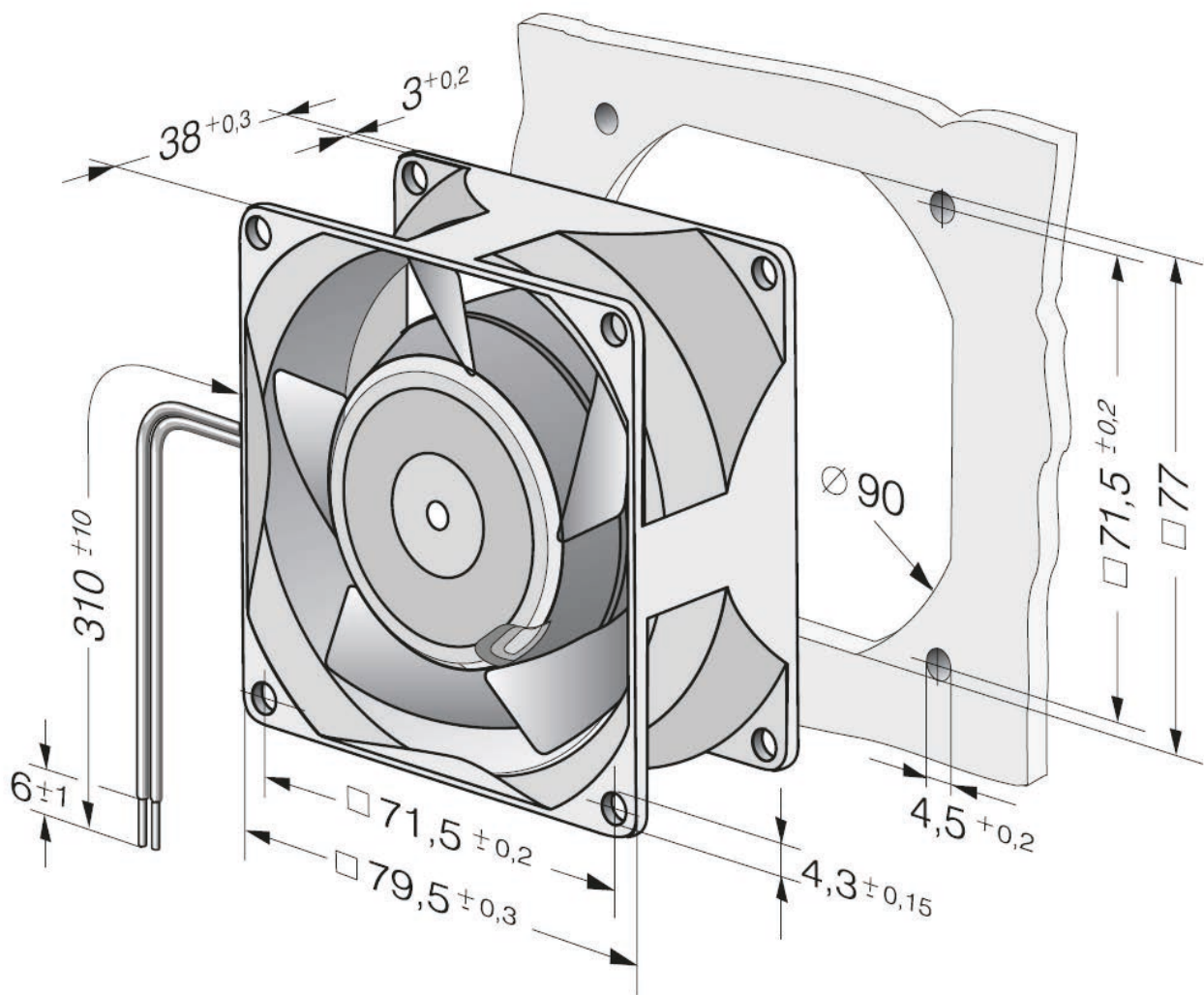
**Guard grille**

[9920032004](#)

## Curves: Air performance



## Drawing



# 8526 VWR-686 - Size(mm): 80x80x38

AC compact fans



[Back to product overview:](#)



## Material/surface

- Impeller: Metal
- Housing: Metal
- Number of blades: 5

## Technical description

- Direction of rotation: Clockwise, seen on rotor
- Airflow direction: Exhaust over struts
- Protection: IP20
- Bearings: Ball bearings
- Motor protection: Protected from overload by impedance protection
- Cable: 310 mm

## Conformity with standards

- Norm: IEC 60038

[Go to Pricelist](#)

[Go to Accessories](#)

[Link to ebm-papst operating instructions](#)

[More at www.ebmpapst.nl](#)

Nominal Data	Voltage	Frequency	Max. Air flow	Speed	Power consumption	Bearing	Sound pressure level	Service life 40 C	Service life at T max.	Perm. ambient temp.	Weight
Partnumber	VAC	Hz	m3/h	rpm	W		dB(A)	Hrs	Hrs	C	kg
9244014686	24	50	47	2800	12	ball	31	52500	15000	-40..+90	0,49

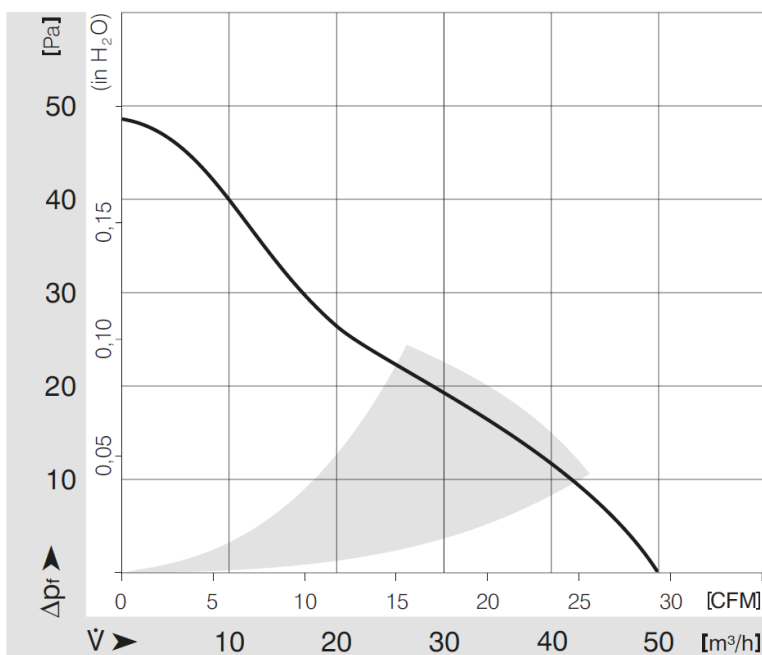
*note: fans used at 60Hz have slightly more air performance*

[Pricelist](#)

**Guard grille**

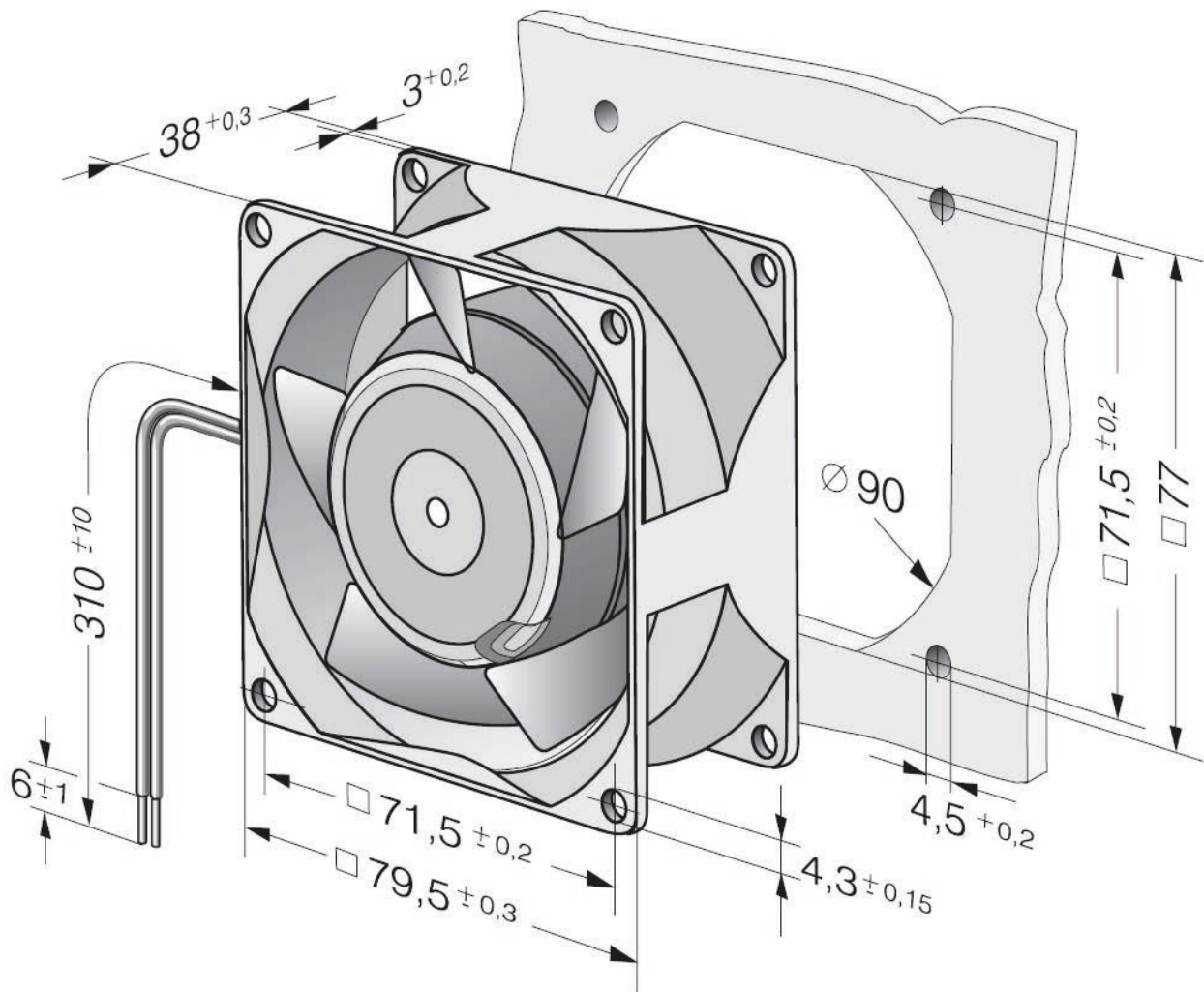
[9920032004](#)

## Curves: Air performance





## Drawing



# 3656 - Size(mm): 92x92x38

AC compact fans



[Back to product overview:](#)



#### Material/surface

- Impeller: Sheet steel, painted black
- Housing: Die-cast aluminium
- Number of blades: 5

#### Technical description

- Direction of rotation: Clockwise, seen on rotor
- Airflow direction: Exhaust over struts
- Protection: IP20
- Bearings: Ball bearings
- Motor protection: Protected from overload by impedance protection
- Cable: 310 mm

#### Conformity with standards

- Norm: IEC 60038

Go to	<a href="#">Pricelist</a>
Go to	<a href="#">Accessories</a>
Link to	<a href="#">ebm-papst operating instructions</a>
More at	<a href="http://www.ebmpapst.nl">www.ebmpapst.nl</a>

Nominal Data	Voltage	Frequency	Max. Air flow	Speed	Power consumption	Bearing	Sound pressure level	Service life 40 C	Service life at T max.	Perm. ambient temp.	Weight
Partnumber	VAC	Hz	m3/h	rpm	W		dB(A)	Hrs	Hrs	C	kg
9244014700	230	50	75	2700	12	ball	37	52500	22500	-40..+75	0,42

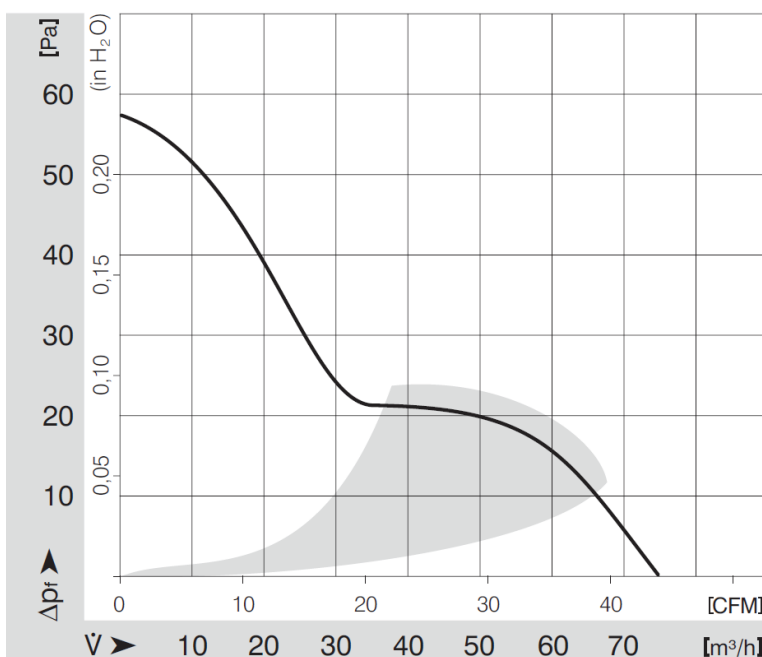
note: fans used at 60Hz have slightly more air performance

[Pricelist](#)

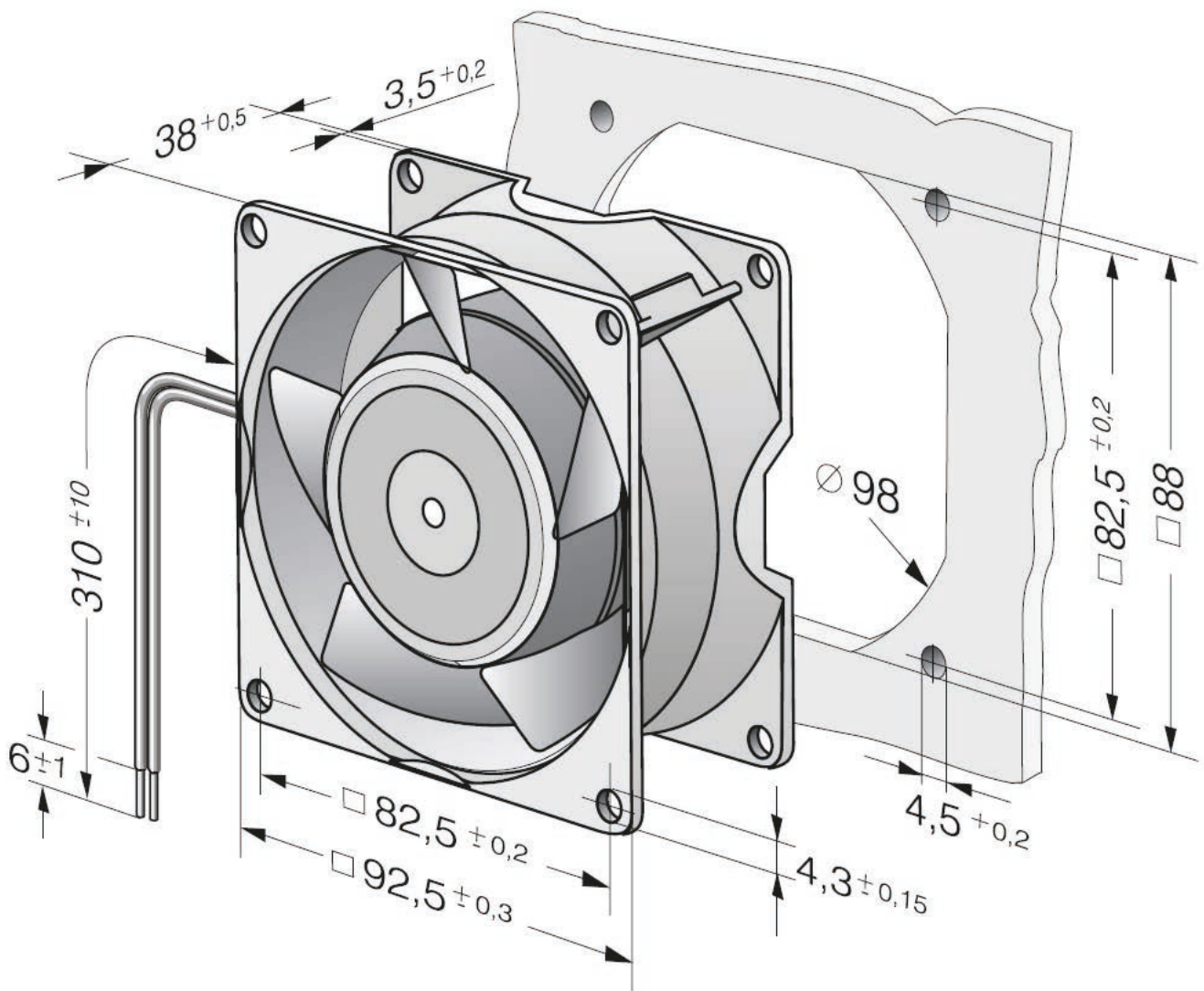
Guard grille

[9920023001](#)

#### Curves: Air performance



## Drawing



# 9956 - Size(mm): 119x119x25

AC compact fans



[Back to product overview:](#)



#### Material/surface

- Impeller: Mineral-reinforced PA plastic
- Housing: Die-cast aluminium
- Number of blades: 7

#### Technical description

- Direction of rotation: Counterclockwise, seen on rotor
- Airflow direction: Exhaust over struts
- Protection: IP20
- Bearings: Ball bearings
- Motor protection: Protected from overload by impedance protection
- Cable: 2 flat plugs 2.8 x 0.5 mm

#### Conformity with standards

- Norm: IEC 60038

Go to	<a href="#">Pricelist</a>
Go to	<a href="#">Accessories</a>
Link to	<a href="#">ebm-papst operating instructions</a>
More at	<a href="http://www.ebmpapst.nl">www.ebmpapst.nl</a>

Nominal Data	Voltage	Frequency	Max. Air flow	Speed	Power consumption	Bearing	Sound pressure level	Service life 40 C	Service life at T max.	Perm. ambient temp.	Weight
Partnumber	VAC	Hz	m3/h	rpm	W		dB(A)	Hrs	Hrs	C	kg
9282708001	230	50	117	2450	14	ball	37	47500	22500	-40..+70	0,325

note: fans used at 60Hz have slightly more air performance

[Pricelist](#)

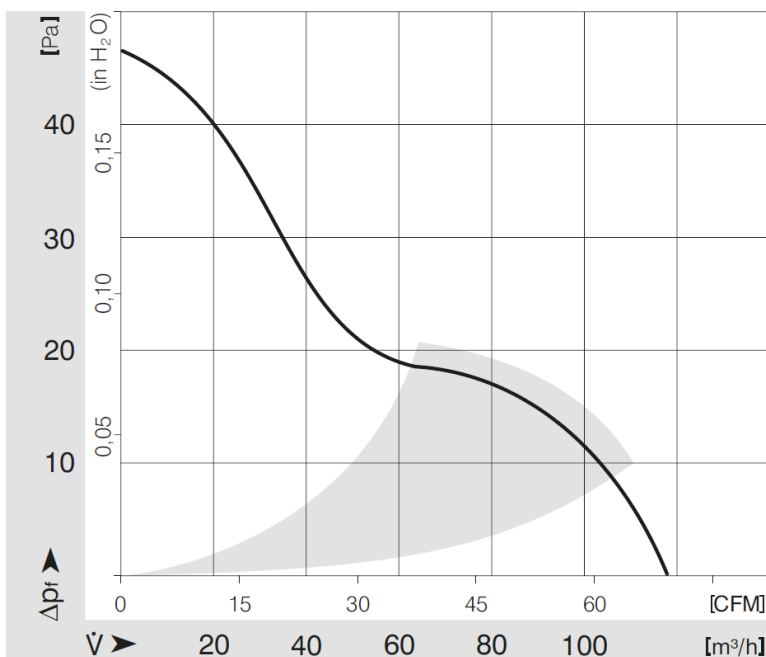
Fan filter

[9920060000 / 9920340004](#)

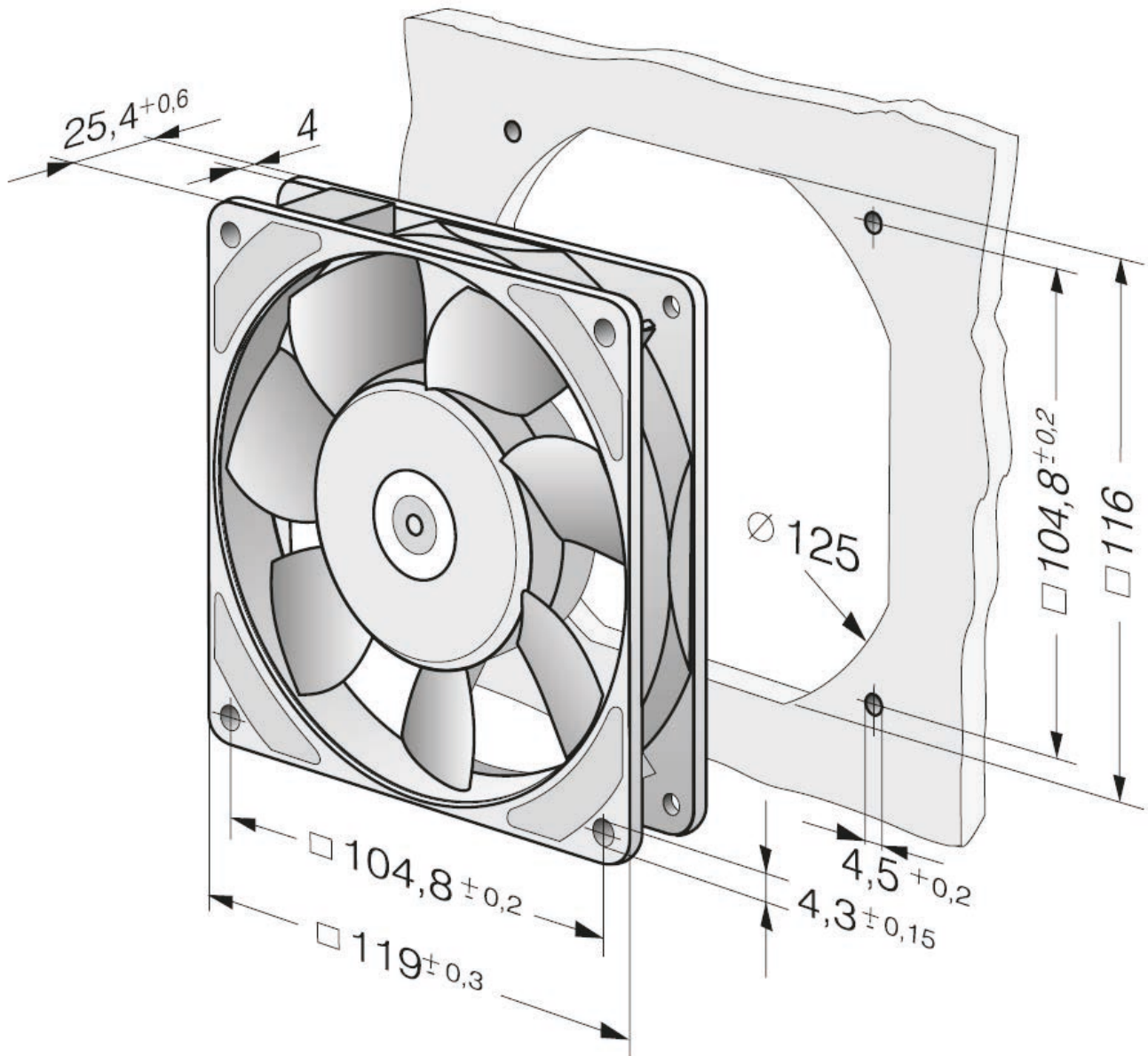
Guard grille

[9920030004](#)

#### Curves: Air performance



## Drawing



# 4850 N - Size(mm): 119x119x38

AC compact fans



[Back to product overview:](#)



#### Material/surface

- Impeller: Sheet steel, painted black
- Housing: Die-cast aluminium
- Number of blades: 5

#### Technical description

- Direction of rotation: Clockwise, seen on rotor
- Airflow direction: Intake over struts
- Protection: IP20
- Bearings: Sintec sleeve bearing
- Motor protection: Protected from overload by impedance protection
- Cable: 2 flat plugs 3.0 x 0.5 mm

#### Conformity with standards

- Norm: IEC 60038

Go to	<a href="#">Pricelist</a>
Go to	<a href="#">Accessories</a>
Link to	<a href="#">ebm-papst operating instructions</a>
More at	<a href="http://www.ebmpapst.nl">www.ebmpapst.nl</a>

Nominal Data	Voltage	Frequency	Max. Air flow	Speed	Power consumption	Bearing	Sound pressure level	Service life 40 C	Service life at T max.	Perm. ambient temp.	Weight
Partnumber	VAC	Hz	m3/h	rpm	W		dB(A)	Hrs	Hrs	C	kg
<a href="#">9274014111</a>	230	50	100	1800	10	sleeve	32	57500	27500	-10..+70	0,55

note: fans used at 60Hz have slightly more air performance

[Pricelist](#)

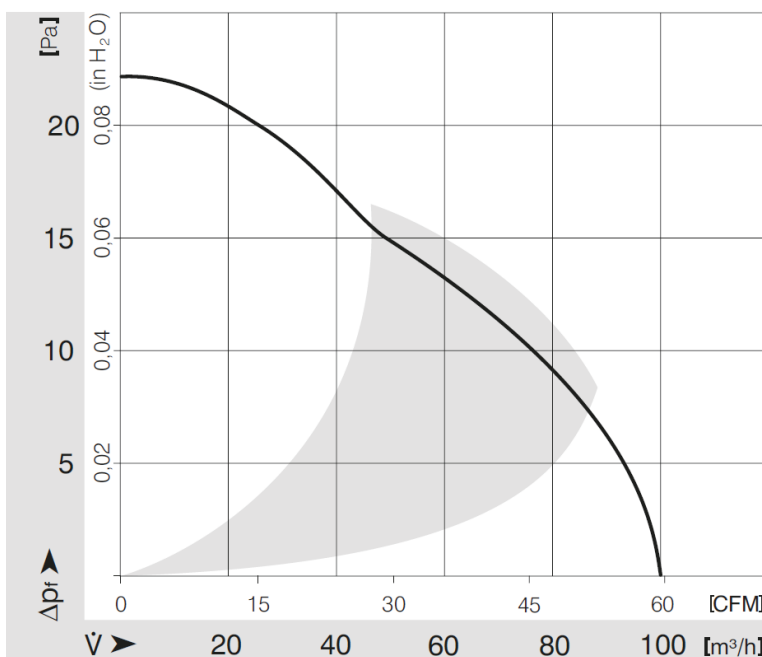
Fan filter

[9920060000 / 9920340004](#)

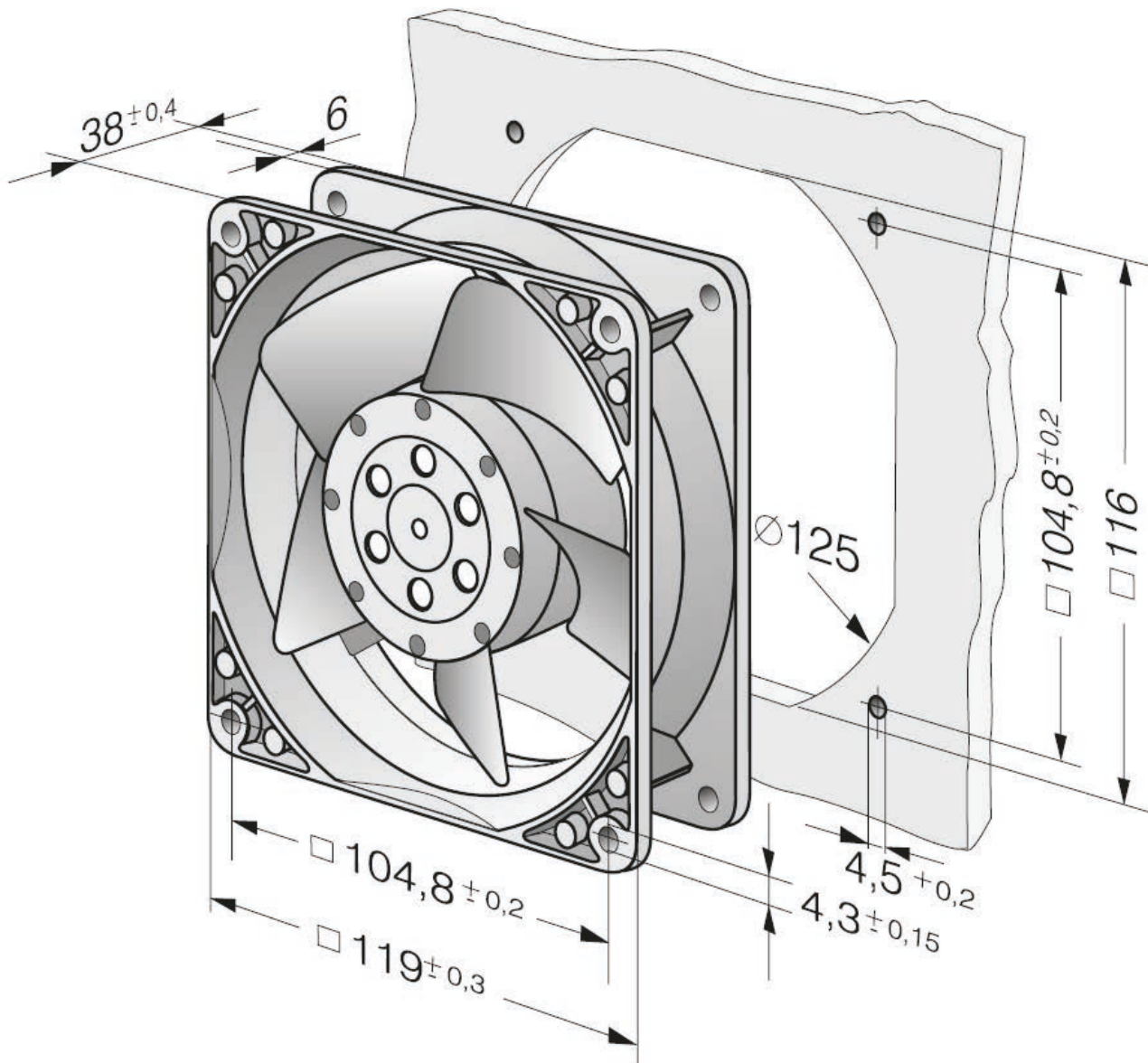
Guard grille

[9920030004](#)

#### Curves: Air performance



## Drawing



# 4550 N - Size(mm): 119x119x38

AC compact fans



[Back to product overview:](#)



#### Material/surface

- Impeller: Sheet steel, painted black
- Housing: Die-cast aluminium
- Number of blades: 5

#### Technical description

- Direction of rotation: Clockwise, seen on rotor
- Airflow direction: Intake over struts
- Protection: IP20
- Bearings: Sintec sleeve bearing
- Motor protection: Protected from overload by impedance protection
- Cable: 2 flat plugs 3.0 x 0.5 mm

#### Conformity with standards

- Norm: IEC 60038

Go to	<a href="#">Pricelist</a>
Go to	<a href="#">Accessories</a>
Link to	<a href="#">ebm-papst operating instructions</a>
More at	<a href="http://www.ebmpapst.nl">www.ebmpapst.nl</a>

Nominal Data	Voltage	Frequency	Max. Air flow	Speed	Power consumption	Bearing	Sound pressure level	Service life 40 C	Service life at T max.	Perm. ambient temp.	Weight
Partnumber	VAC	Hz	m3/h	rpm	W		dB(A)	Hrs	Hrs	C	kg
9274014115	230	50	145	2550	16,5	sleeve	44	42500	30000	-10..+55	0,55

note: fans used at 60Hz have slightly more air performance

[Pricelist](#)

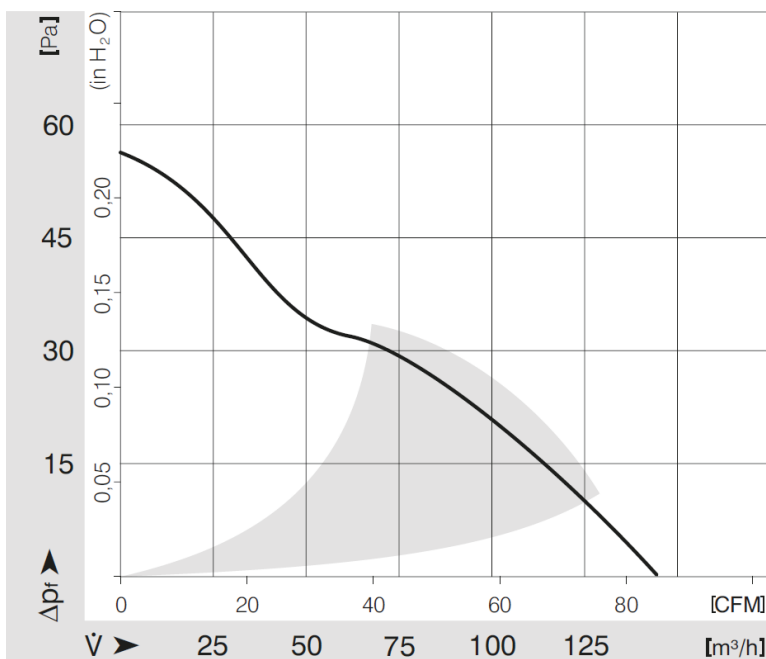
Fan filter

[9920060000 / 9920340004](#)

Guard grille

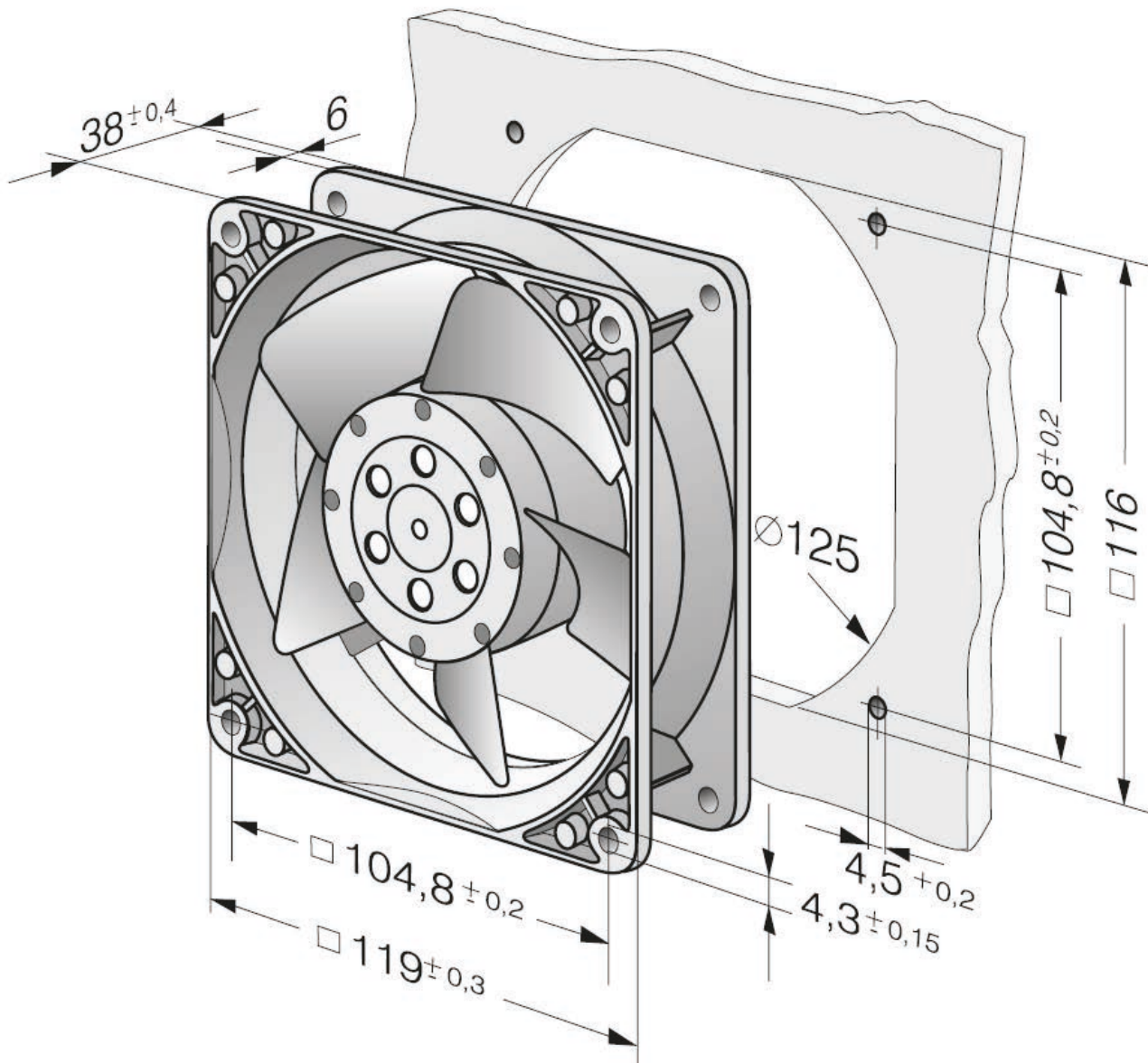
[9920030004](#)

#### Curves: Air performance





## Drawing



# 4650 N - Size(mm): 119x119x38

AC compact fans



[Back to product overview:](#)



#### Material/surface

- Impeller: Sheet steel, painted black
- Housing: Die-cast aluminium
- Number of blades: 5

#### Technical description

- Direction of rotation: Clockwise, seen on rotor
- Airflow direction: Intake over struts
- Protection: IP20
- Bearings: Sintec sleeve bearing
- Motor protection: Protected from overload by impedance protection
- Cable: 2 flat plugs 3.0 x 0.5 mm

#### Conformity with standards

- Norm: IEC 60038

Go to	<a href="#">Pricelist</a>
Go to	<a href="#">Accessories</a>
Link to	<a href="#">ebm-papst operating instructions</a>
More at	<a href="http://www.ebmpapst.nl">www.ebmpapst.nl</a>

Nominal Data	Voltage	Frequency	Max. Air flow	Speed	Power consumption	Bearing	Sound pressure level	Service life 40 C	Service life at T max.	Perm. ambient temp.	Weight
Partnumber	VAC	Hz	m3/h	rpm	W		dB(A)	Hrs	Hrs	C	kg
9274014351	230	50	160	2650	19	sleeve	46	37500	27500	-10..+55	0,55

note: fans used at 60Hz have slightly more air performance

[Pricelist](#)

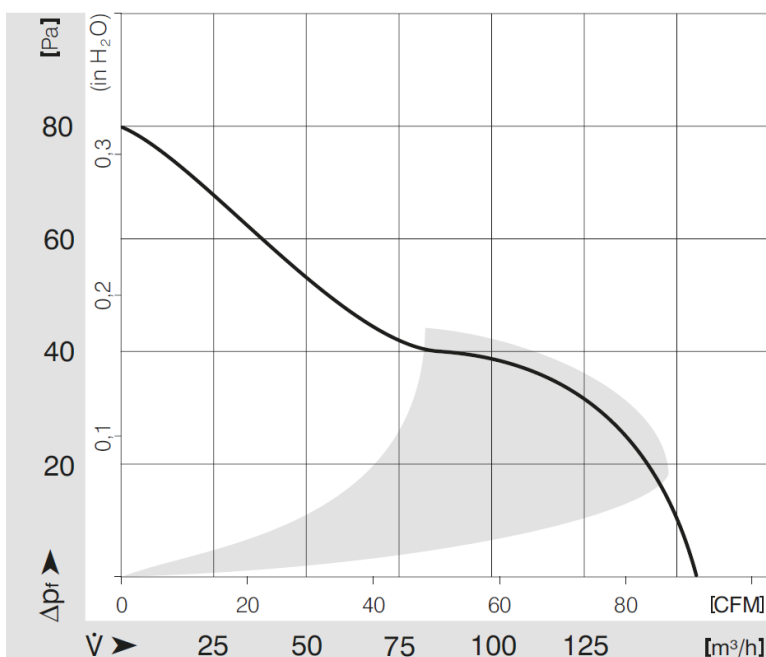
Fan filter

[9920060000 / 9920340004](#)

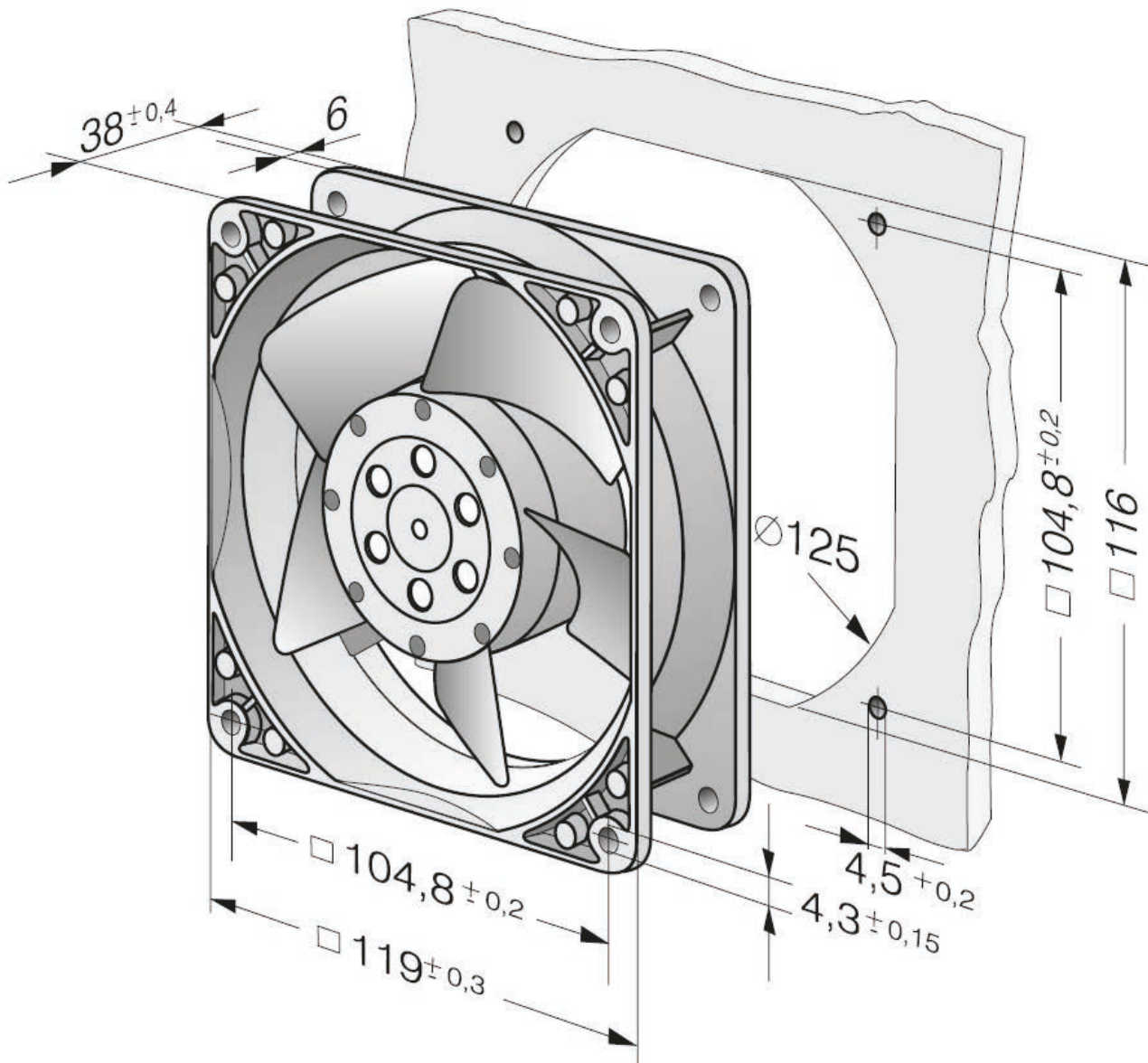
Guard grille

[9920030004](#)

#### Curves: Air performance



## Drawing



# 4656 N - Size(mm): 119x119x38

AC compact fans



[Back to product overview:](#)



#### Material/surface

- Impeller: Sheet steel, painted black
- Housing: Die-cast aluminium
- Number of blades: 5

#### Technical description

- Direction of rotation: Clockwise, seen on rotor
- Airflow direction: Intake over struts
- Protection: IP20
- Bearings: Ball bearings
- Motor protection: Protected from overload by impedance protection
- Cable: 2 flat plugs 3.0 x 0.5 mm

#### Conformity with standards

- Norm: IEC 60038

Go to	<a href="#">Pricelist</a>
Go to	<a href="#">Accessories</a>
Link to	<a href="#">ebm-papst operating instructions</a>
More at	<a href="http://www.ebmpapst.nl">www.ebmpapst.nl</a>

Nominal Data	Voltage	Frequency	Max. Air flow	Speed	Power consumption	Bearing	Sound pressure level	Service life 40 C	Service life at T max.	Perm. ambient temp.	Weight
Partnumber	VAC	Hz	m3/h	rpm	W		dB(A)	Hrs	Hrs	C	kg
9274014139	230	50	160	2650	19	ball	47	37500	15000	-40..+85	0,55

note: fans used at 60Hz have slightly more air performance

[Pricelist](#)

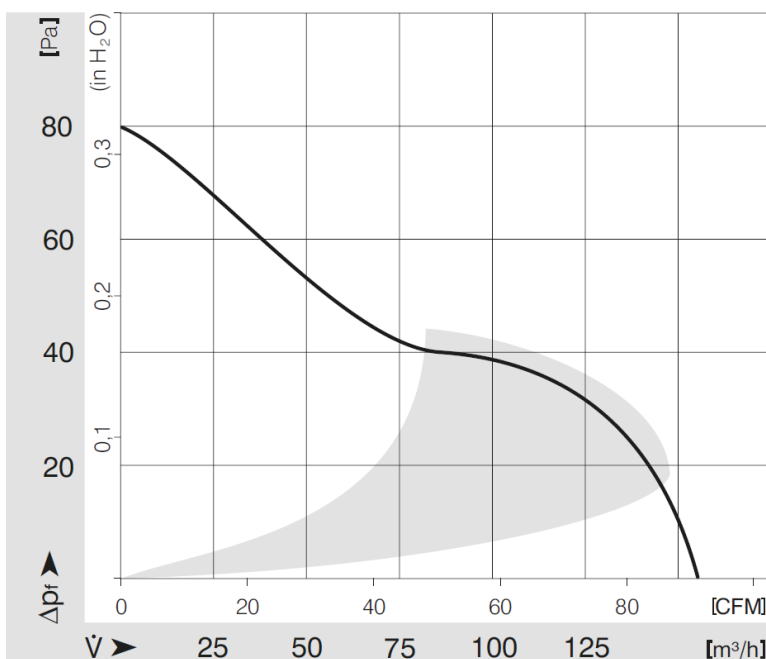
Fan filter

[9920060000 / 9920340004](#)

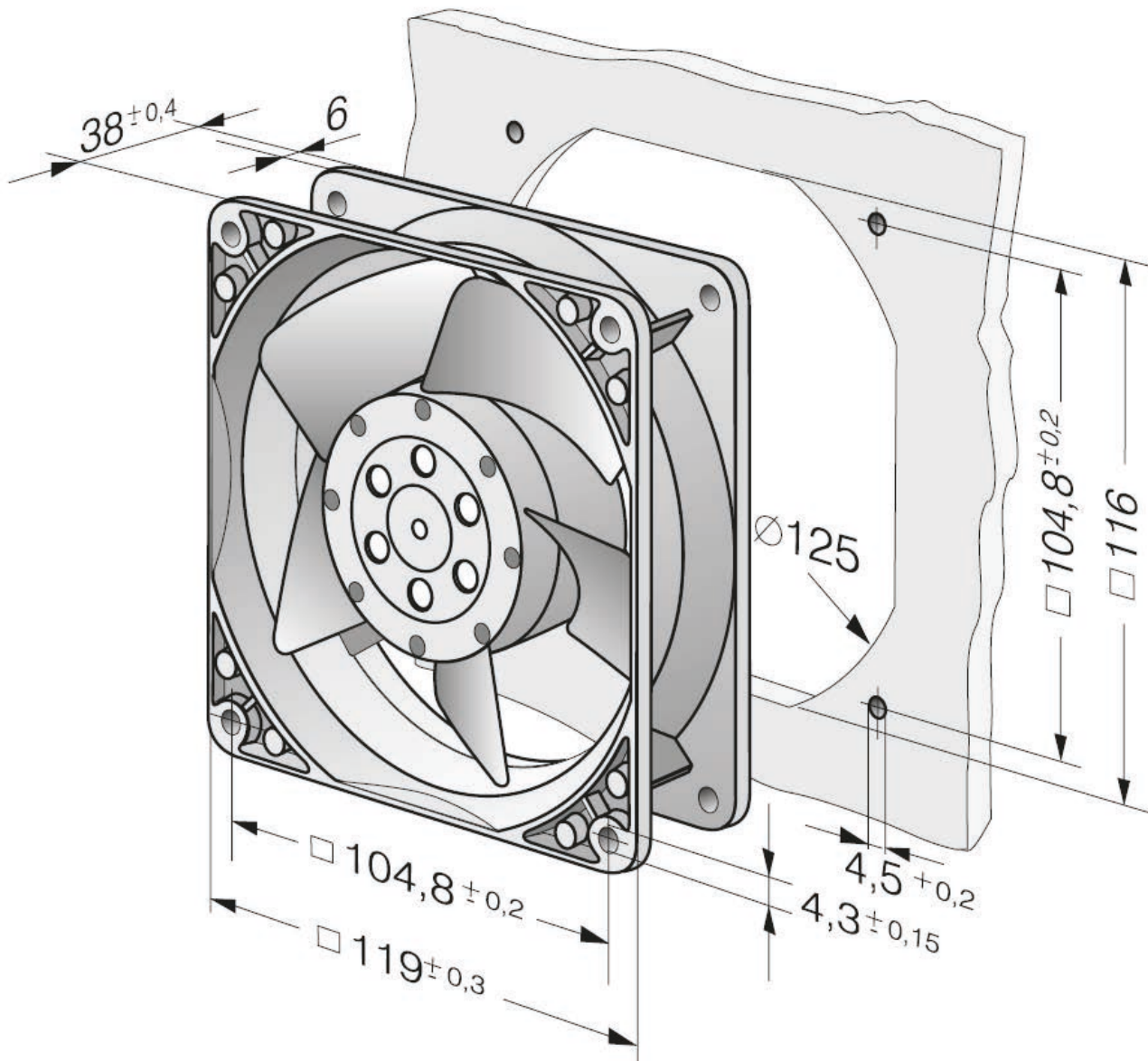
Guard grille

[9920030004](#)

#### Curves: Air performance



## Drawing



# 4656 EZ - Size(mm): Ø108x39

AC compact fans

[Back to product overview:](#)



## Material/surface

- Impeller: Sheet steel, painted black
- Housing: No housing
- Number of blades: 5

## Technical description

- Direction of rotation: Clockwise, seen on rotor
- Airflow direction: Air outlet over flange
- Protection: IP20
- Bearings: Ball bearings
- Motor protection: Protected from overload by impedance protection
- Cable: 310 mm

## Conformity with standards

- Norm: IEC 60038

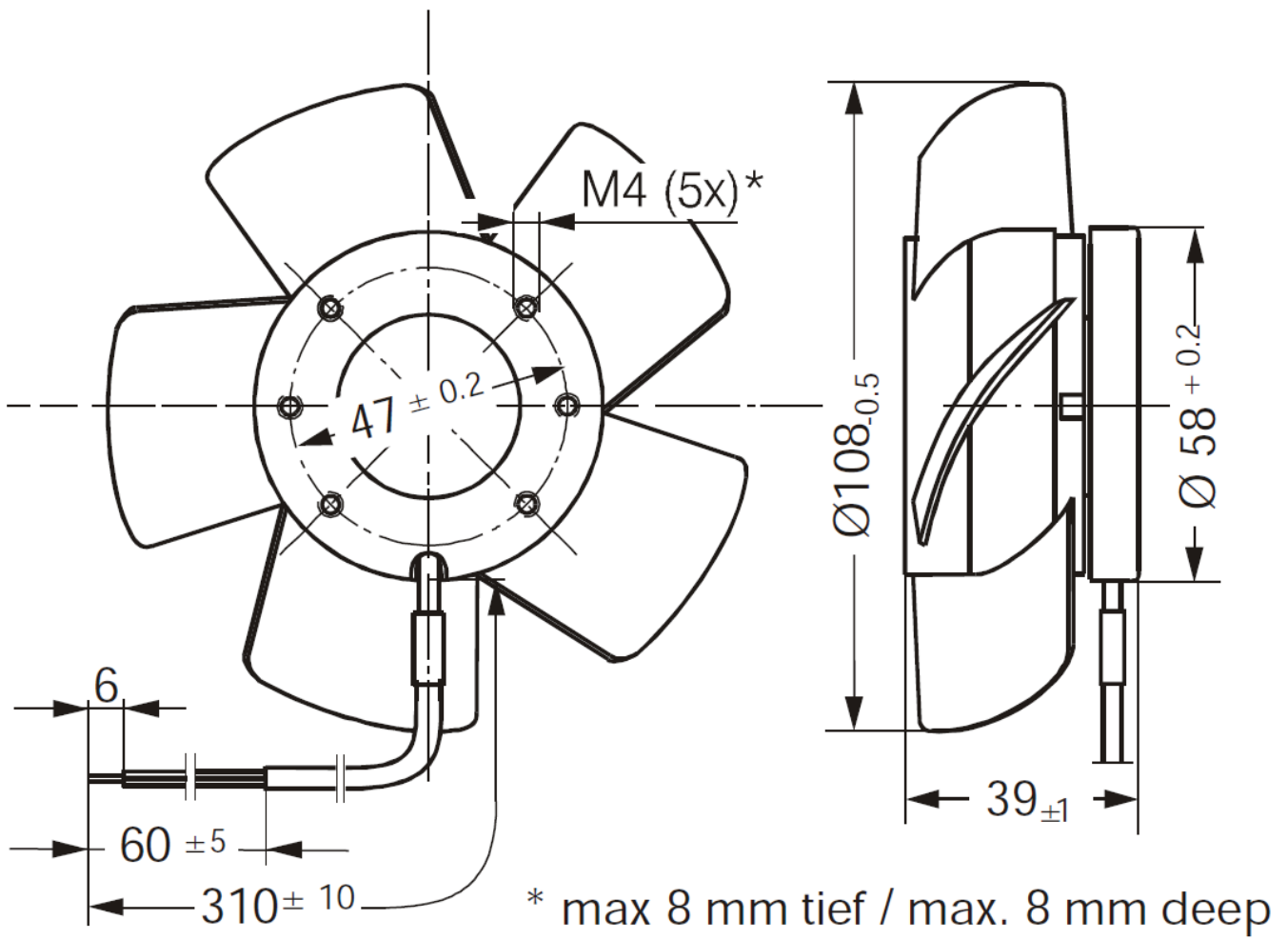
Go to	<a href="#">Pricelist</a>
Go to	<a href="#">Accessories</a>
Link to	<a href="#">ebm-papst operating instructions</a>
More at	<a href="http://www.ebmpapst.nl">www.ebmpapst.nl</a>

Nominal Data	Voltage	Frequency	Max. Air flow	Speed	Power consumption	Bearing	Sound pressure level	Service life 40 C	Service life at T max.	Perm. ambient temp.	Weight
Partnumber	VAC	Hz	m3/h	rpm	W		dB(A)	Hrs	Hrs	C	kg
9244014942	230	50	125	2600	19	ball	42	37500	17500	-40..+65	0,38

*note: fans used at 60Hz have slightly more air performance*

[Pricelist](#)

## Drawing



# 4850 ZW - Size(mm): 119x119x38

AC compact fans



[Back to product overview:](#)



#### Material/surface

- Impeller: Sheet steel, painted black
- Housing: Die-cast aluminium
- Number of blades: 5

#### Technical description

- Direction of rotation: Clockwise, seen on rotor
- Airflow direction: Exhaust over struts
- Protection: IP20
- Bearings: Sintec sleeve bearing
- Motor protection: Protected from overload by impedance protection
- Cable: 310 mm

#### Conformity with standards

- Norm: IEC 60038

Go to	<a href="#">Pricelist</a>
Go to	<a href="#">Accessories</a>
Link to	<a href="#">ebm-papst operating instructions</a>
More at	<a href="http://www.ebmpapst.nl">www.ebmpapst.nl</a>

Nominal Data	Voltage	Frequency	Max. Air flow	Speed	Power consumption	Bearing	Sound pressure level	Service life 40 C	Service life at T max.	Perm. ambient temp.	Weight
Partnumber	VAC	Hz	m3/h	rpm	W		dB(A)	Hrs	Hrs	C	kg
9244014827	230	50	98	1700	13	sleeve	27	50000	27500	-10..+65	0,54

note: fans used at 60Hz have slightly more air performance

[Pricelist](#)

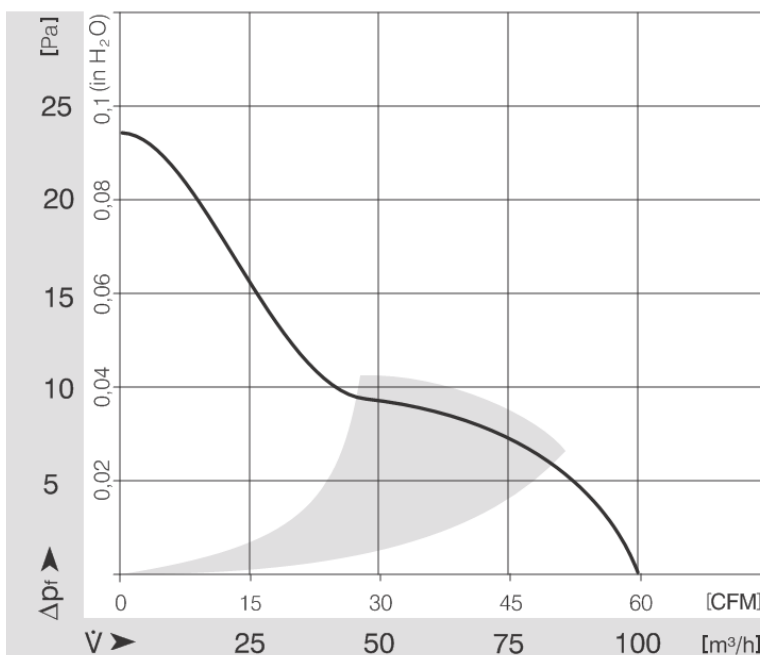
Fan filter

[9920060000 / 9920340004](#)

Guard grille

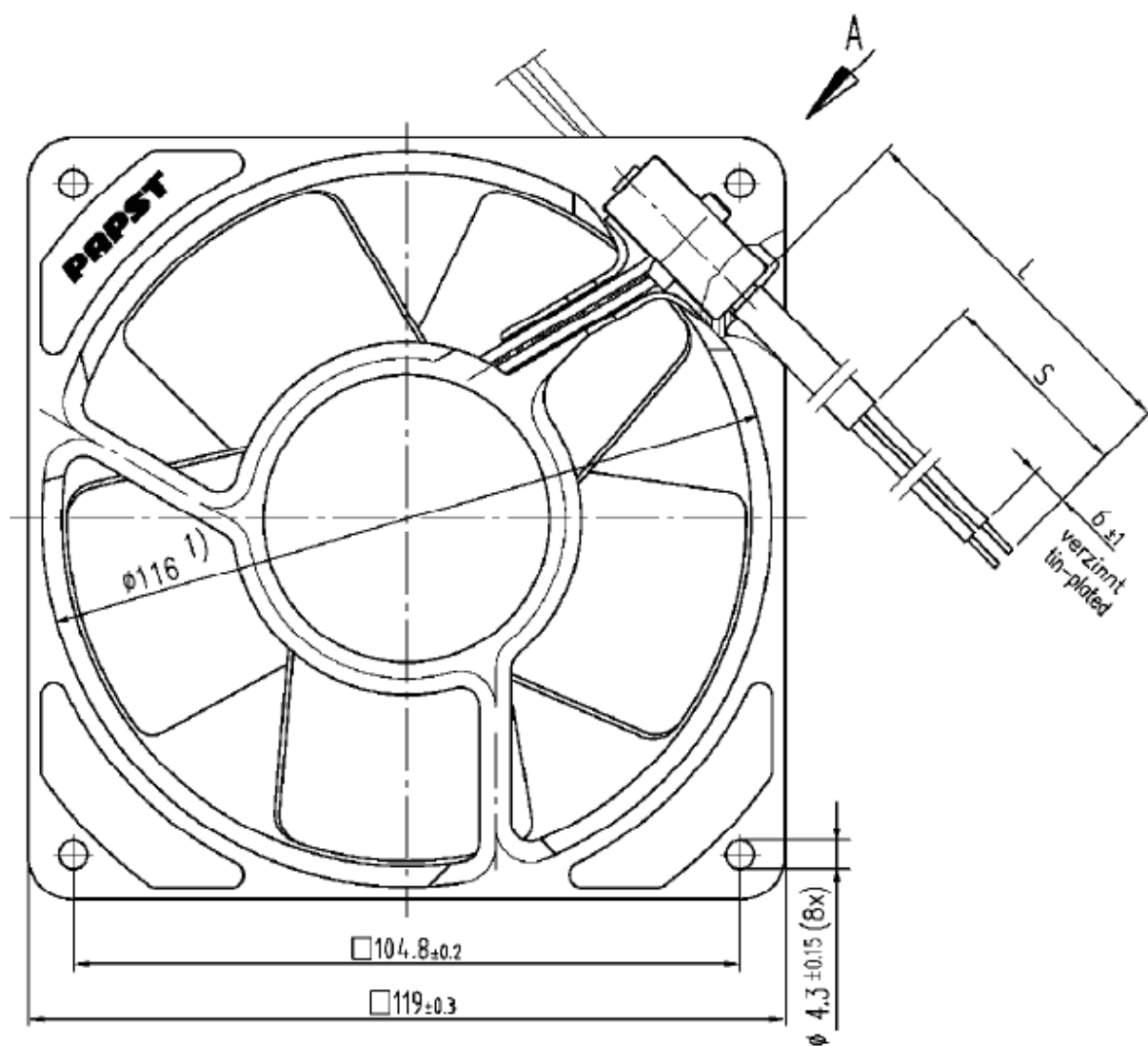
[9920030004](#)

#### Curves: Air performance

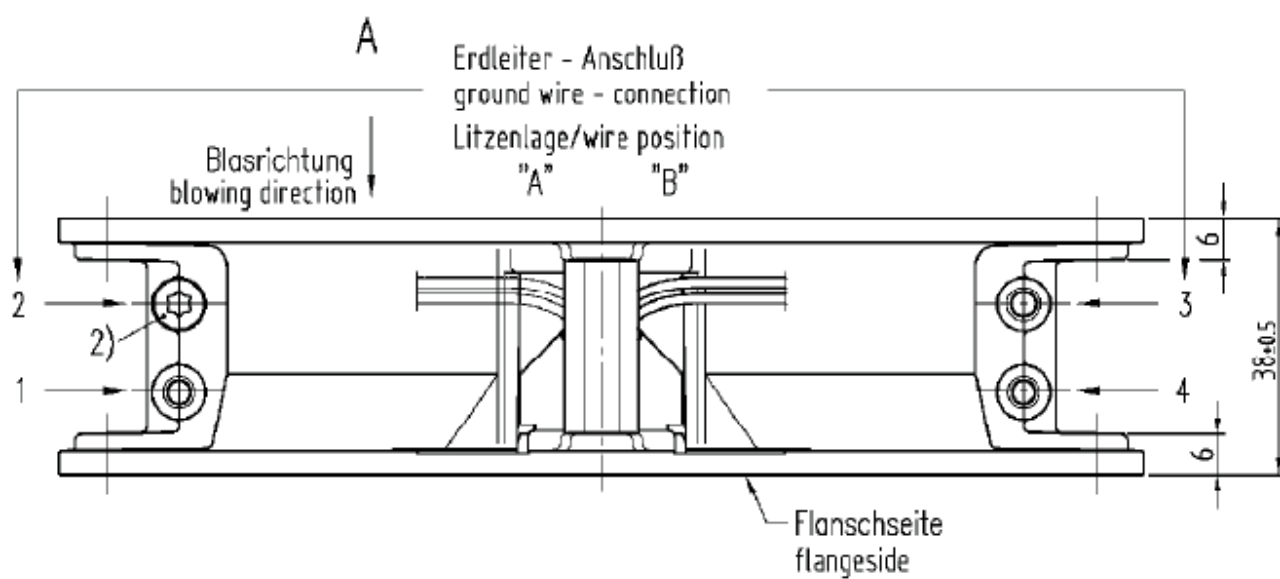




## Drawing



Spare parts



# 4856 Z-857 - Size(mm): 119x119x38

AC compact fans



[Back to product overview:](#)



#### Material/surface

- Impeller: Sheet steel, painted black
- Housing: Die-cast aluminium
- Number of blades: 5

#### Technical description

- Direction of rotation: Clockwise, seen on rotor
- Airflow direction: Exhaust over struts
- Protection: IP20
- Bearings: Ball bearings
- Motor protection: Protected from overload by impedance protection
- Cable: 310 mm

#### Conformity with standards

- Norm: IEC 60038

Go to	<a href="#">Pricelist</a>
Go to	<a href="#">Accessories</a>
Link to	<a href="#">ebm-papst operating instructions</a>
More at	<a href="http://www.ebmpapst.nl">www.ebmpapst.nl</a>

Nominal Data	Voltage	Frequency	Max. Air flow	Speed	Power consumption	Bearing	Sound pressure level	Service life 40 C	Service life at T max.	Perm. ambient temp.	Weight
Partnumber	VAC	Hz	m3/h	rpm	W		dB(A)	Hrs	Hrs	C	kg
9244014857	230	50	98	1700	13	ball	26	50000	20000	-40..+75	0,54

note: fans used at 60Hz have slightly more air performance

[Pricelist](#)

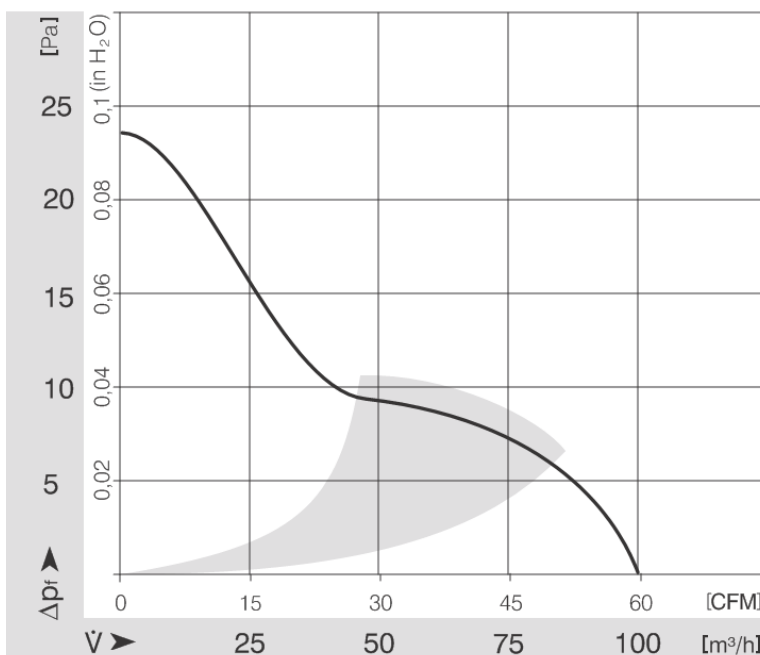
Fan filter

[9920060000 / 9920340004](#)

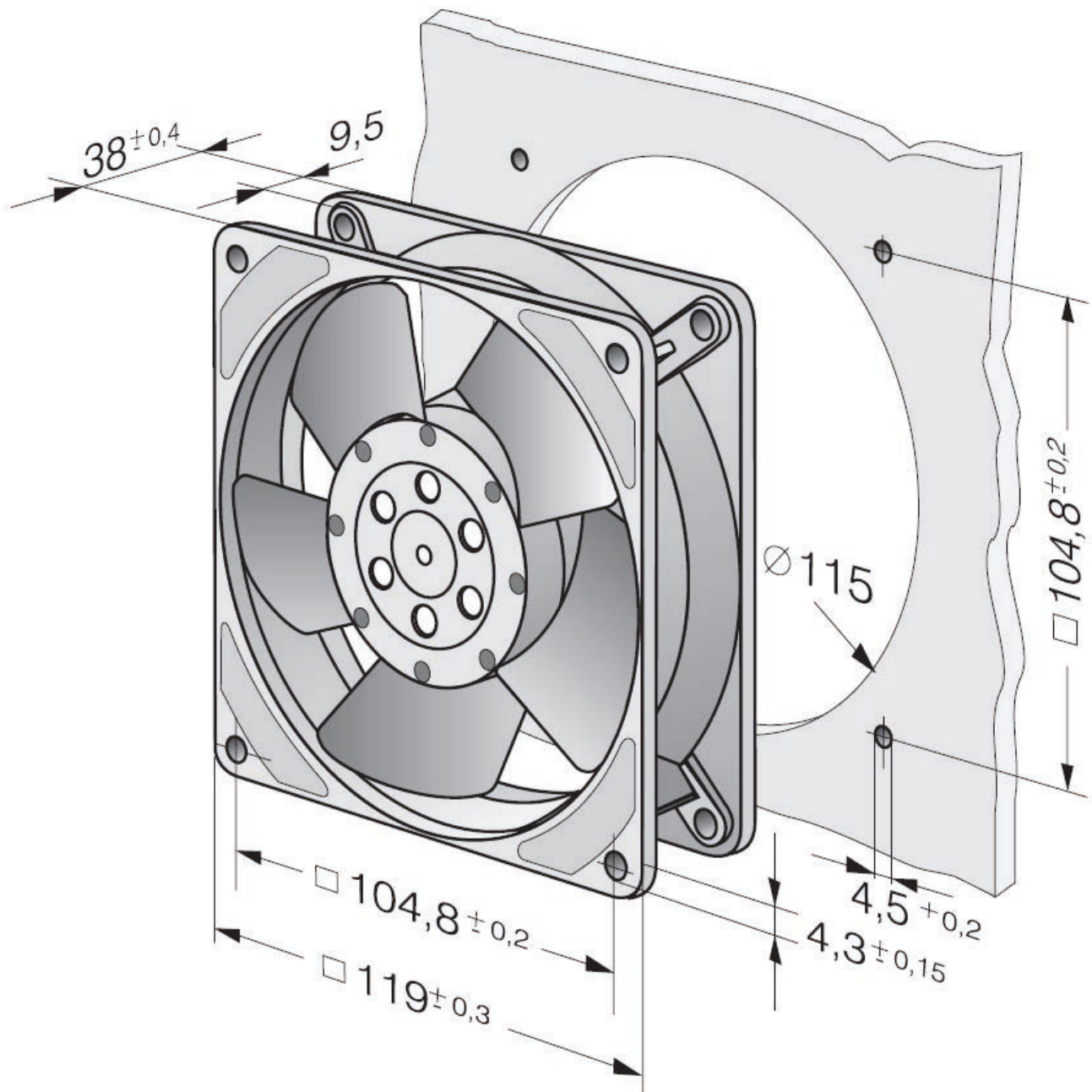
Guard grille

[9920030004](#)

#### Curves: Air performance



## Drawing



# 4586 Z - Size(mm): 119x119x38

AC compact fans



[Back to product overview:](#)



#### Material/surface

- Impeller: Sheet steel, painted black
- Housing: Die-cast aluminium
- Number of blades: 5

#### Technical description

- Direction of rotation: Clockwise, seen on rotor
- Airflow direction: Exhaust over struts
- Protection: IP20
- Bearings: Ball bearings
- Motor protection: Protected from overload by impedance protection
- Cable: 2 flat plugs 2.8 x 0.5 mm

#### Conformity with standards

- Norm: IEC 60038

Go to	<a href="#">Pricelist</a>
Go to	<a href="#">Accessories</a>
Link to	<a href="#">ebm-papst operating instructions</a>
More at	<a href="http://www.ebmpapst.nl">www.ebmpapst.nl</a>

Nominal Data	Voltage	Frequency	Max. Air flow	Speed	Power consumption	Bearing	Sound pressure level	Service life 40 C	Service life at T max.	Perm. ambient temp.	Weight
Partnumber	VAC	Hz	m3/h	rpm	W		dB(A)	Hrs	Hrs	C	kg
9244014840	230	50	115	1900	13	ball	30	50000	20000	-40..+75	0,54

note: fans used at 60Hz have slightly more air performance

[Pricelist](#)

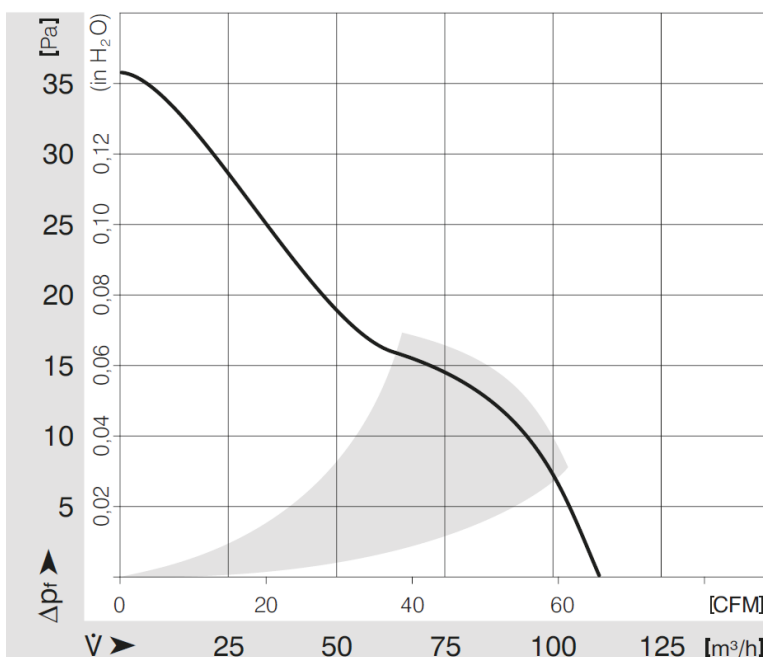
Fan filter

[9920060000 / 9920340004](#)

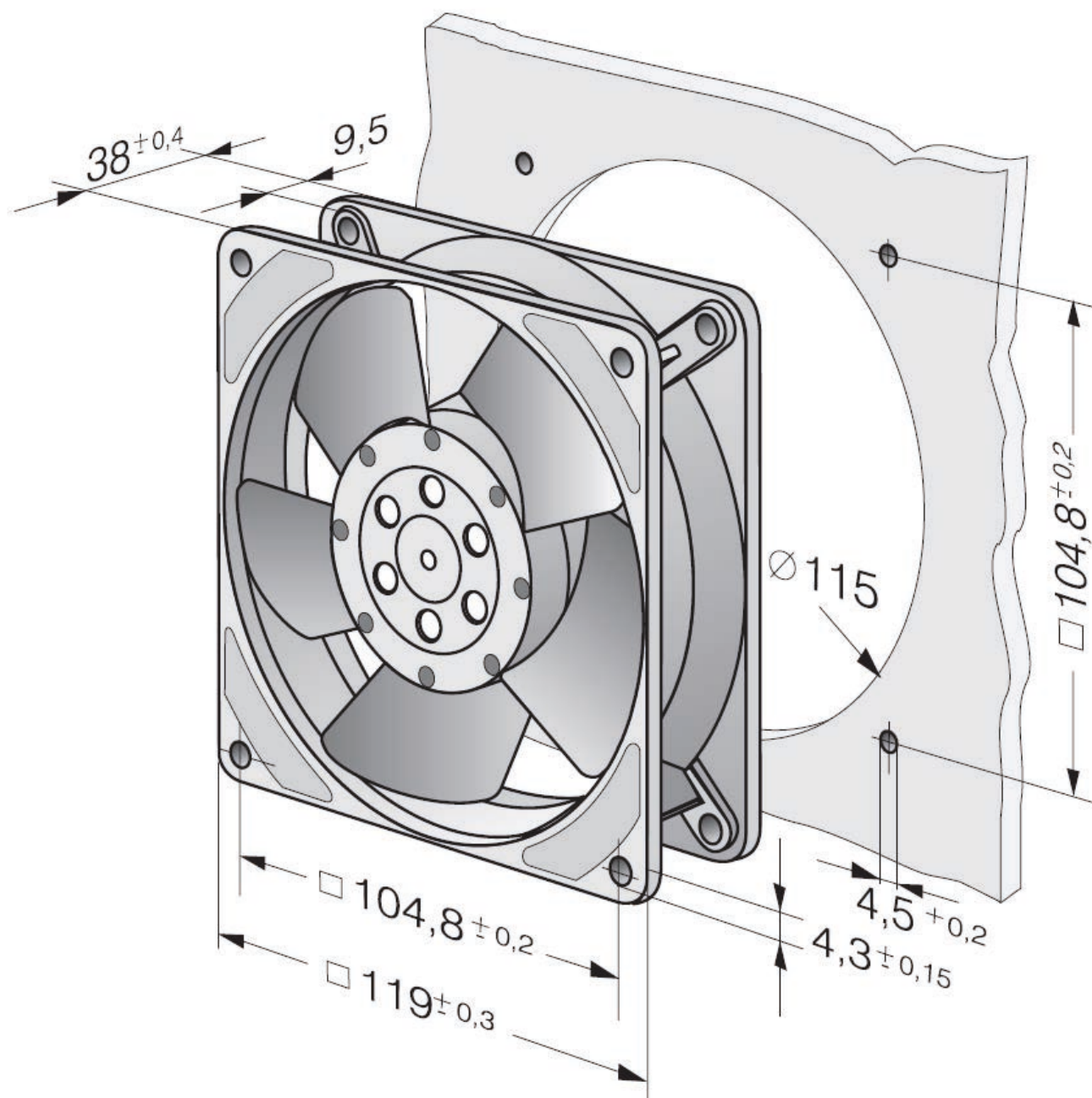
Guard grille

[9920030004](#)

#### Curves: Air performance



## Drawing



# 4650 ZW - Size(mm): 119x119x38

AC compact fans



[Back to product overview:](#)



#### Material/surface

- Impeller: Sheet steel, painted black
- Housing: Die-cast aluminium
- Number of blades: 5

#### Technical description

- Direction of rotation: Clockwise, seen on rotor
- Airflow direction: Exhaust over struts
- Protection: IP20
- Bearings: Sintec sleeve bearing
- Motor protection: Protected from overload by impedance protection
- Cable: 2 flat plugs 2.8 x 0.5 mm

#### Conformity with standards

- Norm: IEC 60038

Go to	<a href="#">Pricelist</a>
Go to	<a href="#">Accessories</a>
Link to	<a href="#">ebm-papst operating instructions</a>
More at	<a href="http://www.ebmpapst.nl">www.ebmpapst.nl</a>

Nominal Data	Voltage	Frequency	Max. Air flow	Speed	Power consumption	Bearing	Sound pressure level	Service life 40 C	Service life at T max.	Perm. ambient temp.	Weight
Partnumber	VAC	Hz	m3/h	rpm	W		dB(A)	Hrs	Hrs	C	kg
9244014805	230	50	160	2650	19	sleeve	40	37500	30000	-10..+50	0,54

note: fans used at 60Hz have slightly more air performance

[Pricelist](#)

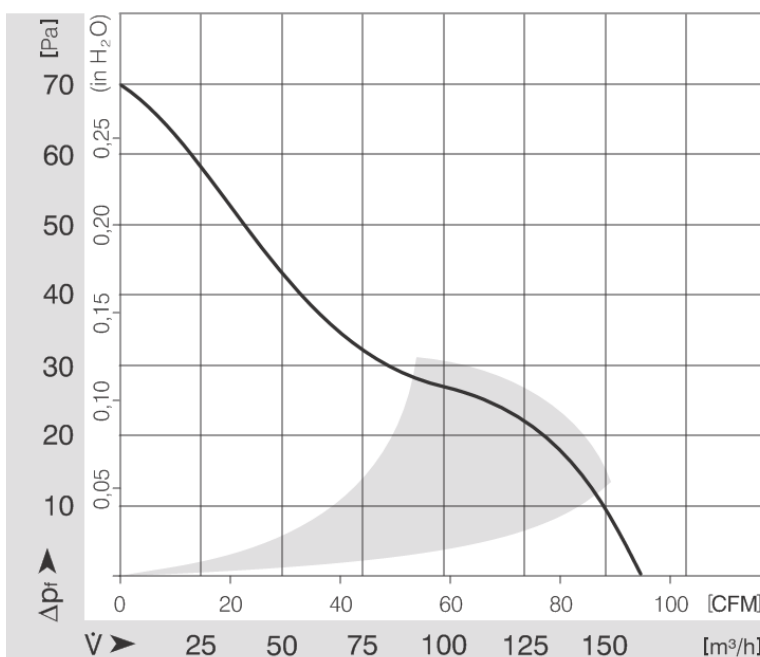
Fan filter

[9920060000 / 9920340004](#)

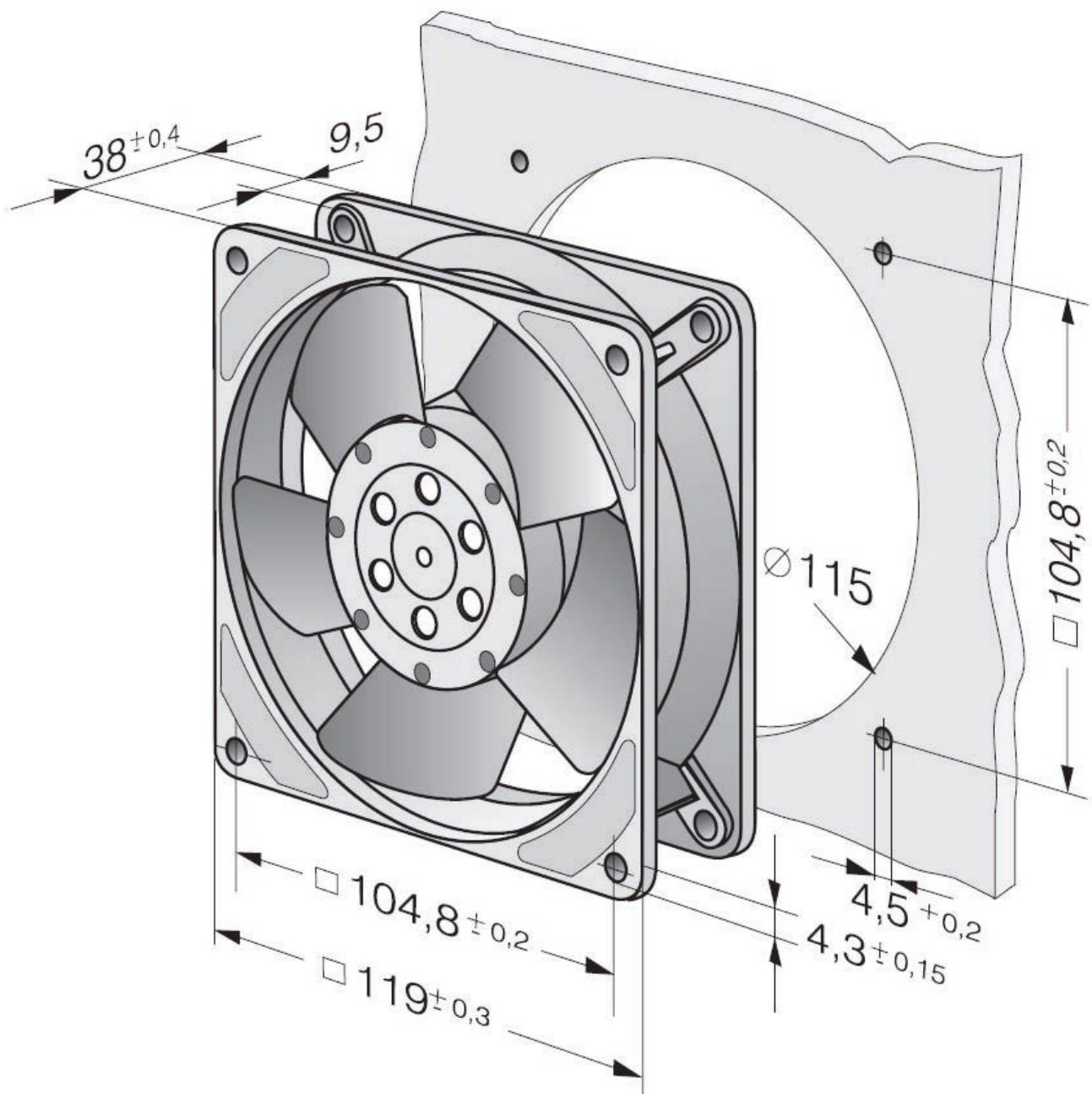
Guard grille

[9920030004](#)

#### Curves: Air performance



## Drawing



# 4650 N-465 - Size(mm): 119x119x38

AC compact fans



[Back to product overview:](#)



#### Material/surface

- Impeller: Sheet steel, painted black
- Housing: Die-cast aluminium
- Number of blades: 5

#### Technical description

- Direction of rotation: Clockwise, seen on rotor
- Airflow direction: Intake over struts
- Protection: IP20
- Bearings: Sintec sleeve bearing
- Motor protection: Protected from overload by impedance protection
- Cable: 2 flat plugs 3.0 x 0.5 mm

#### Conformity with standards

- Norm: IEC 60038

Go to	<a href="#">Pricelist</a>
Go to	<a href="#">Accessories</a>
Link to	<a href="#">ebm-papst operating instructions</a>
More at	<a href="http://www.ebmpapst.nl">www.ebmpapst.nl</a>

Nominal Data	Voltage	Frequency	Max. Air flow	Speed	Power consumption	Bearing	Sound pressure level	Service life 40 C	Service life at T max.	Perm. ambient temp.	Weight
Partnumber	VAC	Hz	m3/h	rpm	W		dB(A)	Hrs	Hrs	C	kg
9274014465	230	50	158	2680	18	sleeve	46	37500	27500	-10..+55	0,55

note: fans used at 60Hz have slightly more air performance

[Pricelist](#)

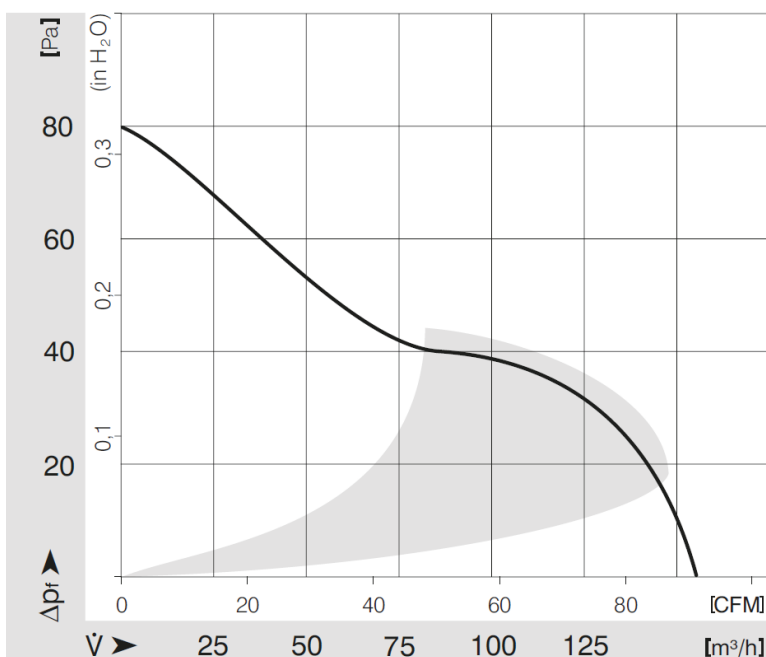
Fan filter

[9920060000 / 9920340004](#)

Guard grille

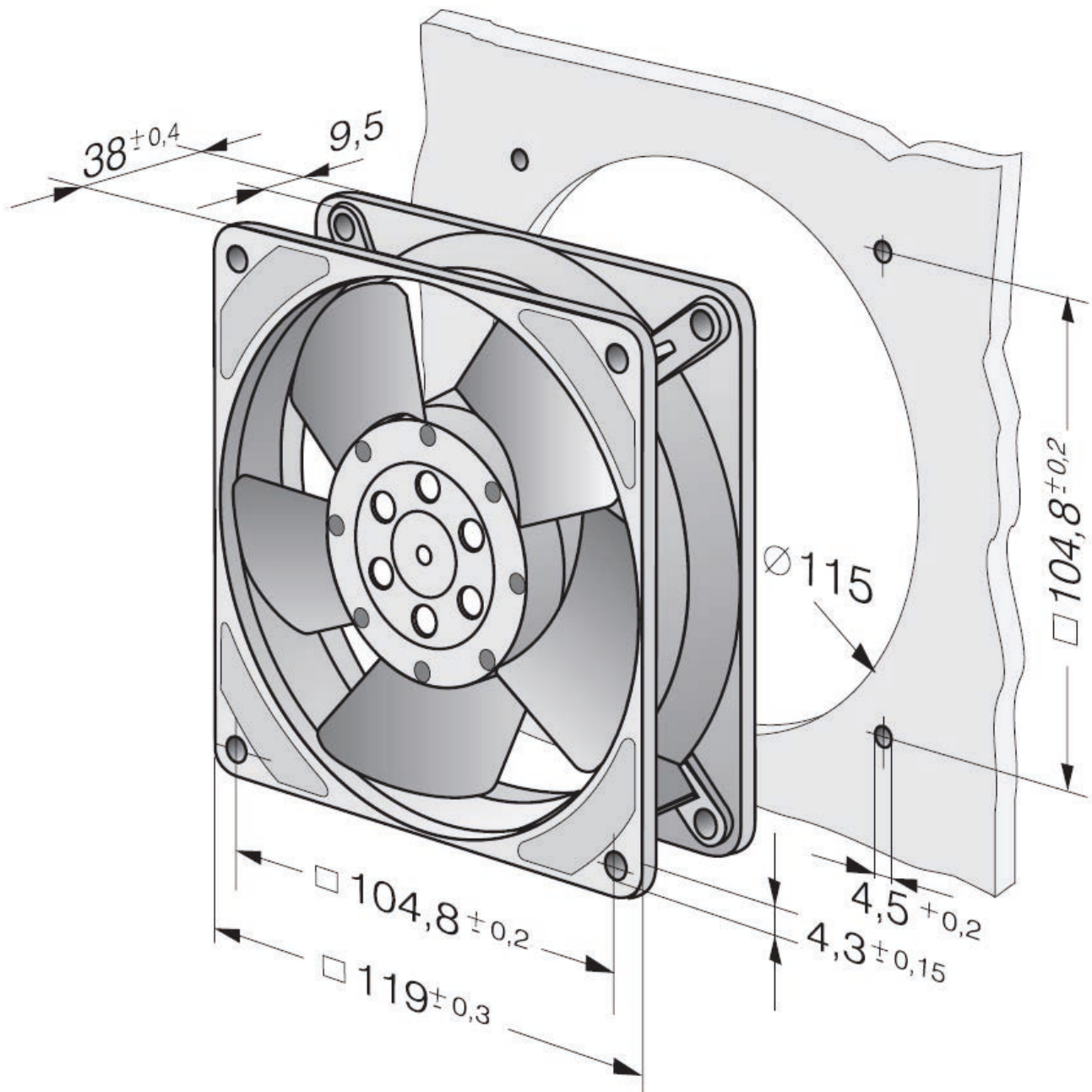
[9920030004](#)

#### Curves: Air performance





## Drawing



# 4656 Z - Size(mm): 119x119x38

AC compact fans



[Back to product overview:](#)



#### Material/surface

- Impeller: Sheet steel, painted black
- Housing: Die-cast aluminium
- Number of blades: 5

#### Technical description

- Direction of rotation: Clockwise, seen on rotor
- Airflow direction: Exhaust over struts
- Protection: IP20
- Bearings: Ball bearings
- Motor protection: Protected from overload by impedance protection
- Cable: 2 flat plugs 2.8 x 0.5 mm

#### Conformity with standards

- Norm: IEC 60038

Go to	<a href="#">Pricelist</a>
Go to	<a href="#">Accessories</a>
Link to	<a href="#">ebm-papst operating instructions</a>
More at	<a href="http://www.ebmpapst.nl">www.ebmpapst.nl</a>

Nominal Data	Voltage	Frequency	Max. Air flow	Speed	Power consumption	Bearing	Sound pressure level	Service life 40 C	Service life at T max.	Perm. ambient temp.	Weight
Partnumber	VAC	Hz	m3/h	rpm	W		dB(A)	Hrs	Hrs	C	kg
9274014800	230	50	160	2650	19	ball	40	37500	17500	-40..+75	0,54

*note: fans used at 60Hz have slightly more air performance*

[Pricelist](#)

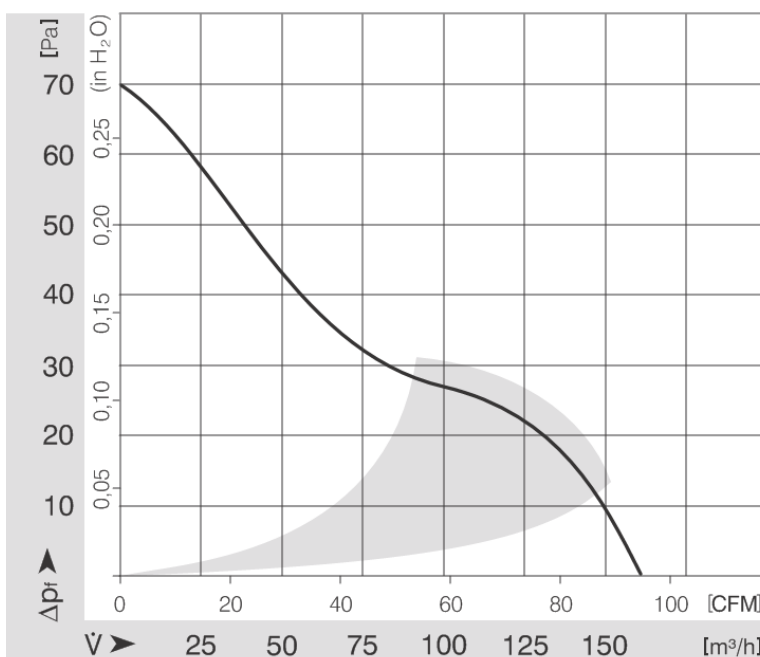
Fan filter

[9920060000 / 9920340004](#)

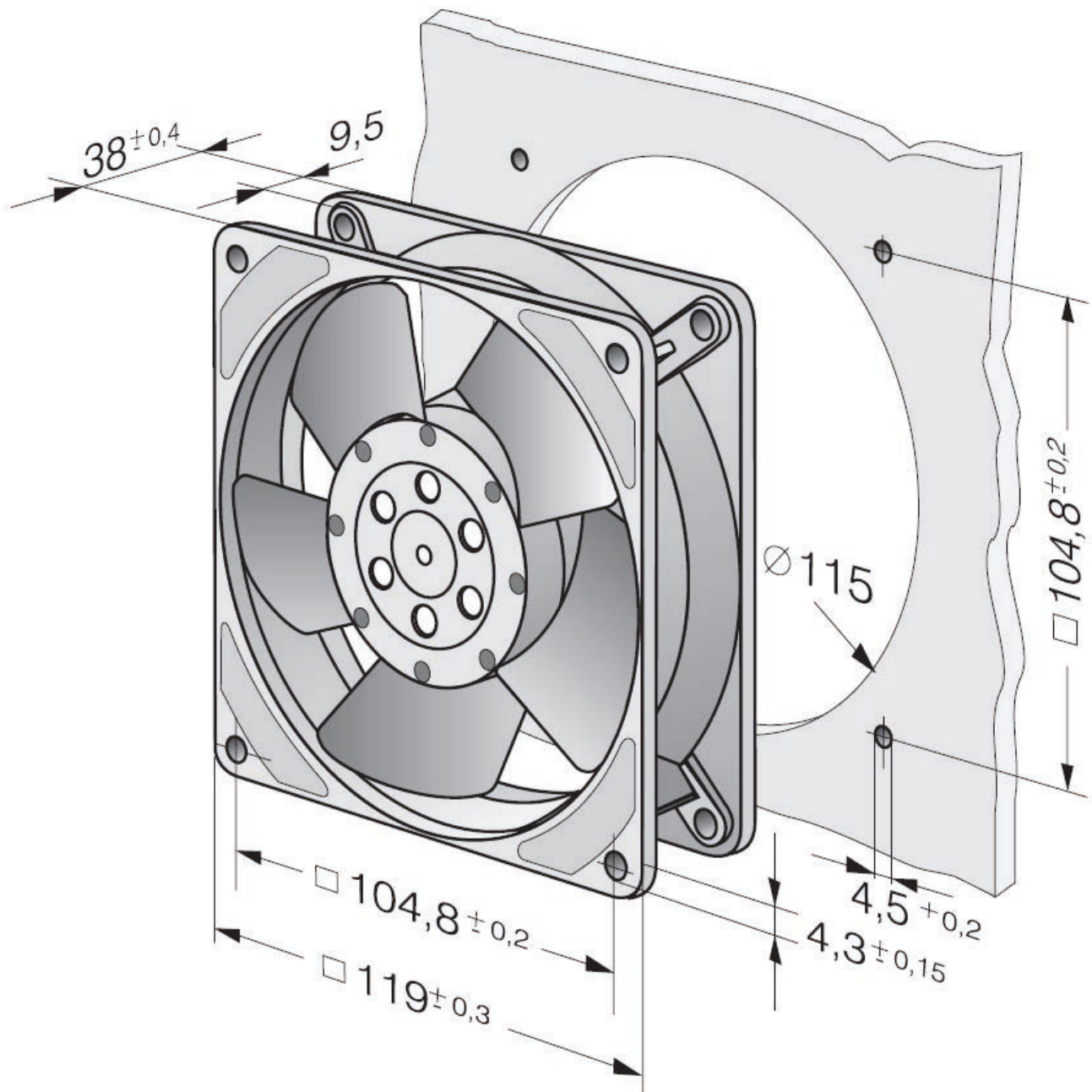
Guard grille

[9920030004](#)

#### Curves: Air performance



## Drawing



# 4656 ZW - Size(mm): 119x119x38

AC compact fans



[Back to product overview:](#)



#### Material/surface

- Impeller: Sheet steel, painted black
- Housing: Die-cast aluminium
- Number of blades: 5

#### Technical description

- Direction of rotation: Clockwise, seen on rotor
- Airflow direction: Exhaust over struts
- Protection: IP20
- Bearings: Ball bearings
- Motor protection: Protected from overload by impedance protection
- Cable: 310 mm

#### Conformity with standards

- Norm: IEC 60038

Go to	<a href="#">Pricelist</a>
Go to	<a href="#">Accessories</a>
Link to	<a href="#">ebm-papst operating instructions</a>
More at	<a href="http://www.ebmpapst.nl">www.ebmpapst.nl</a>

Nominal Data	Voltage	Frequency	Max. Air flow	Speed	Power consumption	Bearing	Sound pressure level	Service life 40 C	Service life at T max.	Perm. ambient temp.	Weight
Partnumber	VAC	Hz	m3/h	rpm	W		dB(A)	Hrs	Hrs	C	kg
9274014804	230	50	160	2650	19	ball	40	37500	17500	-40..+75	0,54

note: fans used at 60Hz have slightly more air performance

[Pricelist](#)

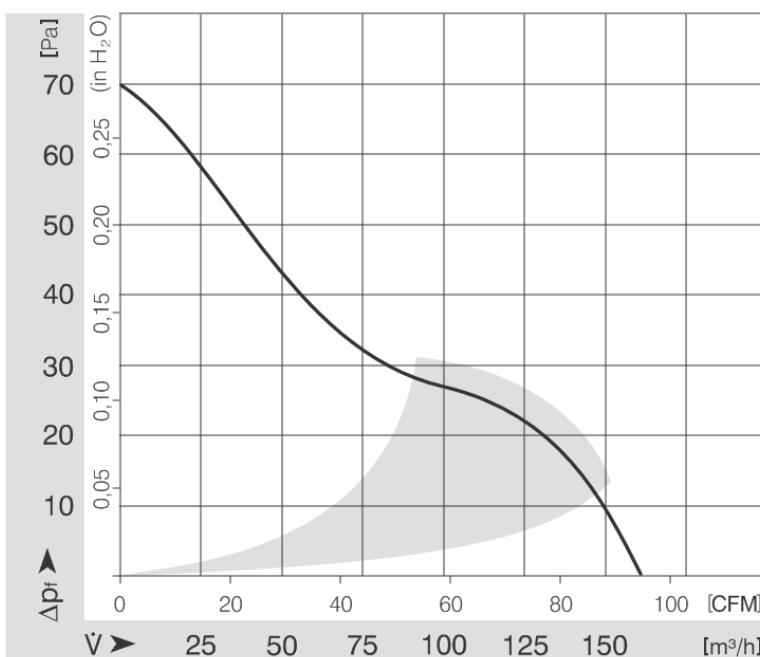
Fan filter

[9920060000 / 9920340004](#)

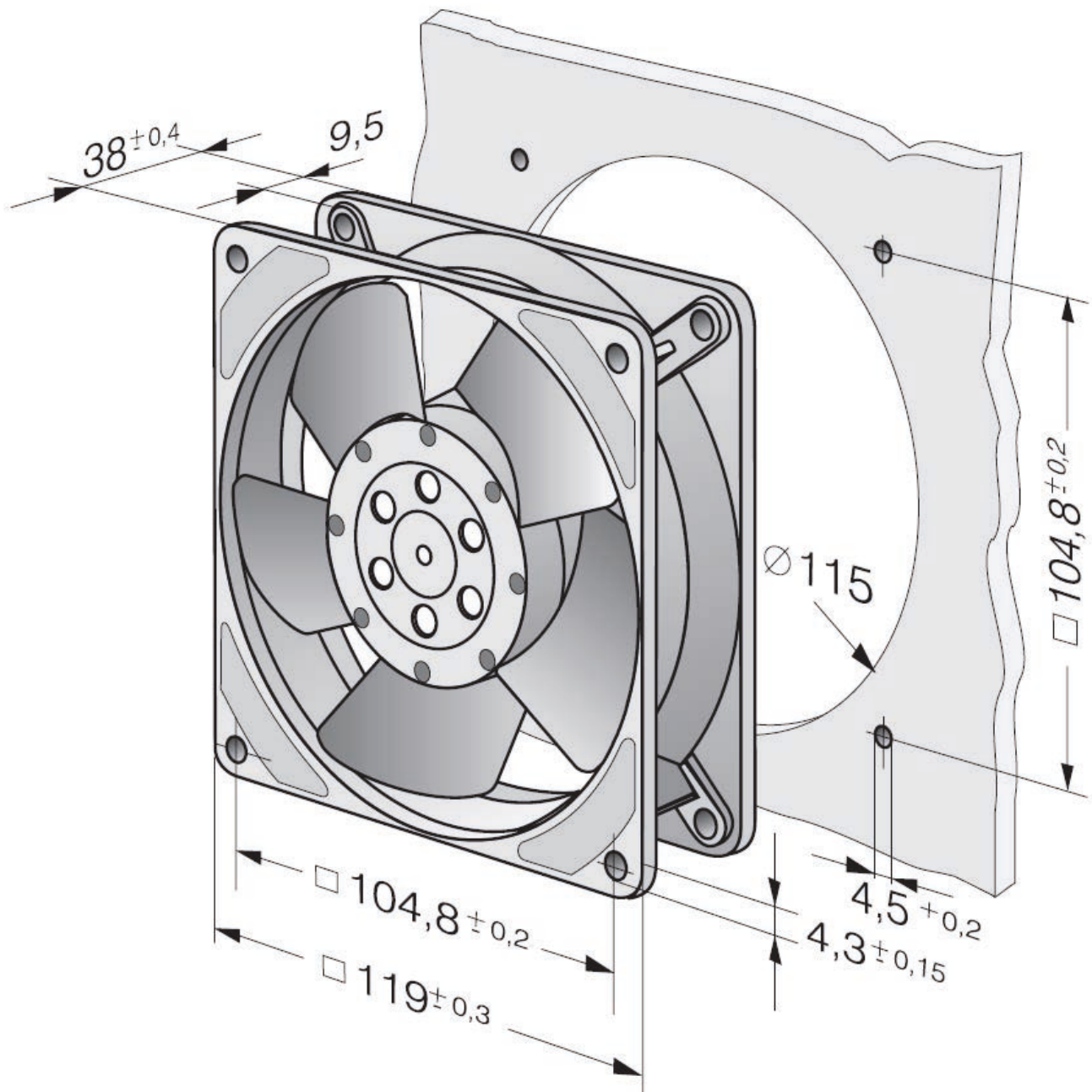
Guard grille

[9920030004](#)

#### Curves: Air performance



## Drawing



# 4656 TZ - Size(mm): Ø108x37

AC compact fans

[Back to product overview:](#)



## Material/surface

- Impeller: Die-cast aluminium
- Housing: No housing
- Number of blades: 5

## Technical description

- Direction of rotation: Clockwise, seen on rotor
- Airflow direction: Exhaust over mounting bracket
- Protection: IP20
- Bearings: Ball bearings
- Motor protection: Protected from overload by impedance protection
- Cable: 2 leads AWG 18

## Conformity with standards

- Norm: IEC 60038

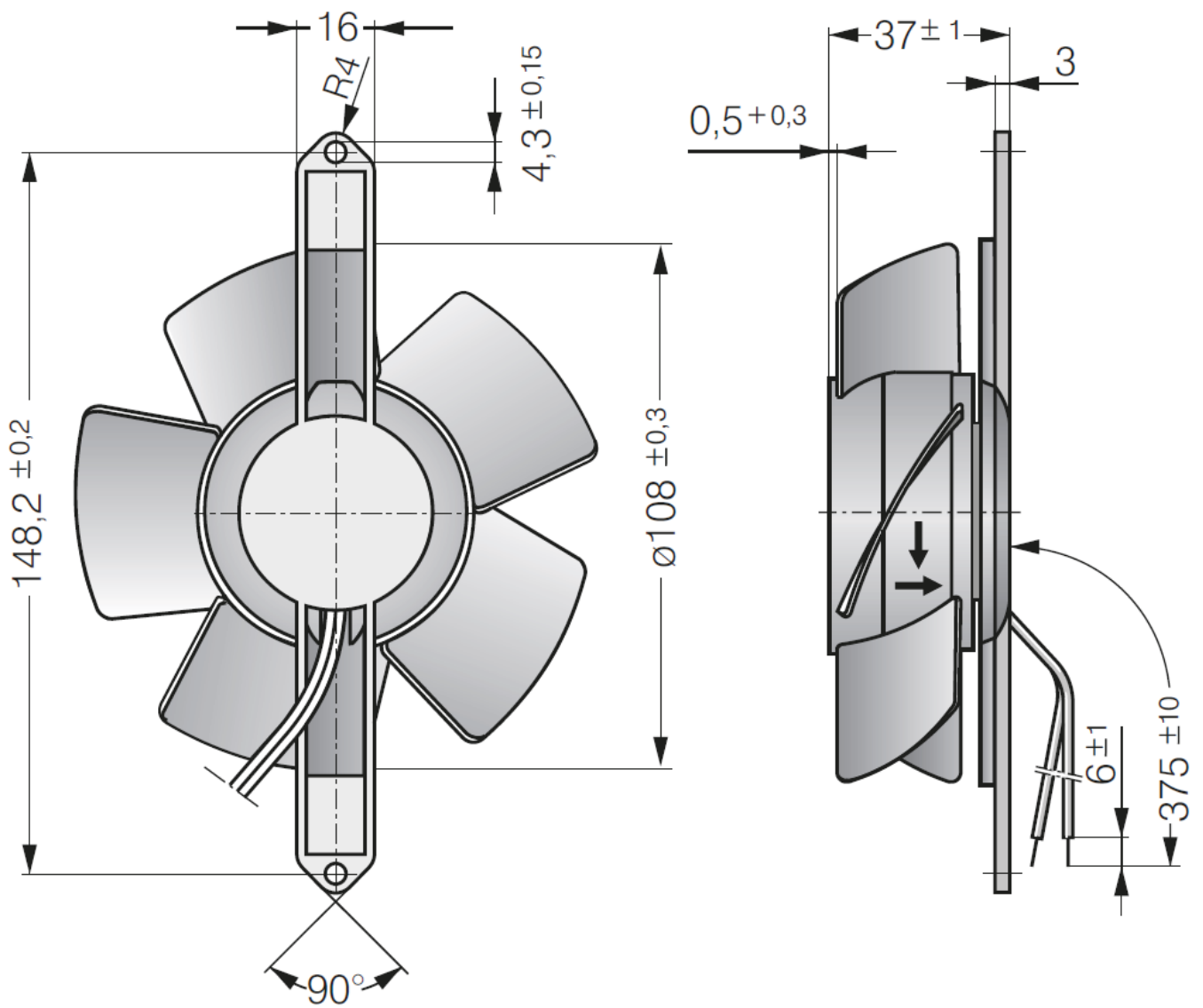
Go to	<a href="#">Pricelist</a>
Go to	<a href="#">Accessories</a>
Link to	<a href="#">ebm-papst operating instructions</a>
More at	<a href="http://www.ebmpapst.nl">www.ebmpapst.nl</a>

Nominal Data	Voltage	Frequency	Max. Air flow	Speed	Power consumption	Bearing	Sound pressure level	Service life 40 C	Service life at T max.	Perm. ambient temp.	Weight
Partnumber	VAC	Hz	m3/h	rpm	W		dB(A)	Hrs	Hrs	C	kg
9244014896	230	50	125	2600	19	ball	42	37500	20000	-40..+65	0,43

*note: fans used at 60Hz have slightly more air performance*

[Pricelist](#)

## Drawing



# 4606 N - Size(mm): 119x119x38

AC compact fans



[Back to product overview:](#)



#### Material/surface

- Impeller: Sheet steel, painted black
- Housing: Die-cast aluminium
- Number of blades: 5

#### Technical description

- Direction of rotation: Clockwise, seen on rotor
- Airflow direction: Intake over struts
- Protection: IP20
- Bearings: Ball bearings
- Motor protection: Protected from overload by impedance protection
- Cable: 2 flat plugs 3.0 x 0.5 mm

#### Conformity with standards

- Norm: IEC 60038

Go to	<a href="#">Pricelist</a>
Go to	<a href="#">Accessories</a>
Link to	<a href="#">ebm-papst operating instructions</a>
More at	<a href="http://www.ebmpapst.nl">www.ebmpapst.nl</a>

Nominal Data	Voltage	Frequency	Max. Air flow	Speed	Power consumption	Bearing	Sound pressure level	Service life 40 C	Service life at T max.	Perm. ambient temp.	Weight
Partnumber	VAC	Hz	m3/h	rpm	W		dB(A)	Hrs	Hrs	C	kg
9274014147	115	60	180	3100	18	ball	51	40000	15000	-40..+90	0,55

note: fans used at 60Hz have slightly more air performance

[Pricelist](#)

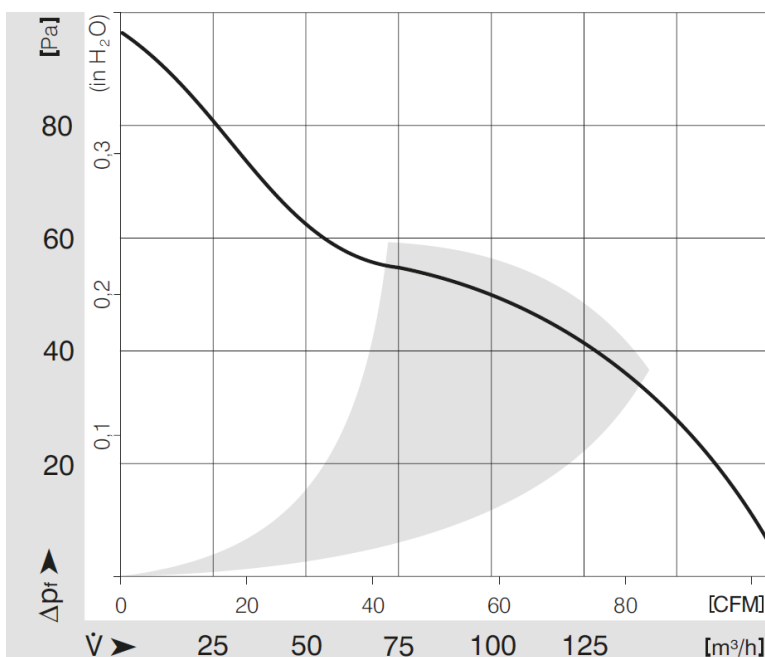
Fan filter

[9920060000 / 9920340004](#)

Guard grille

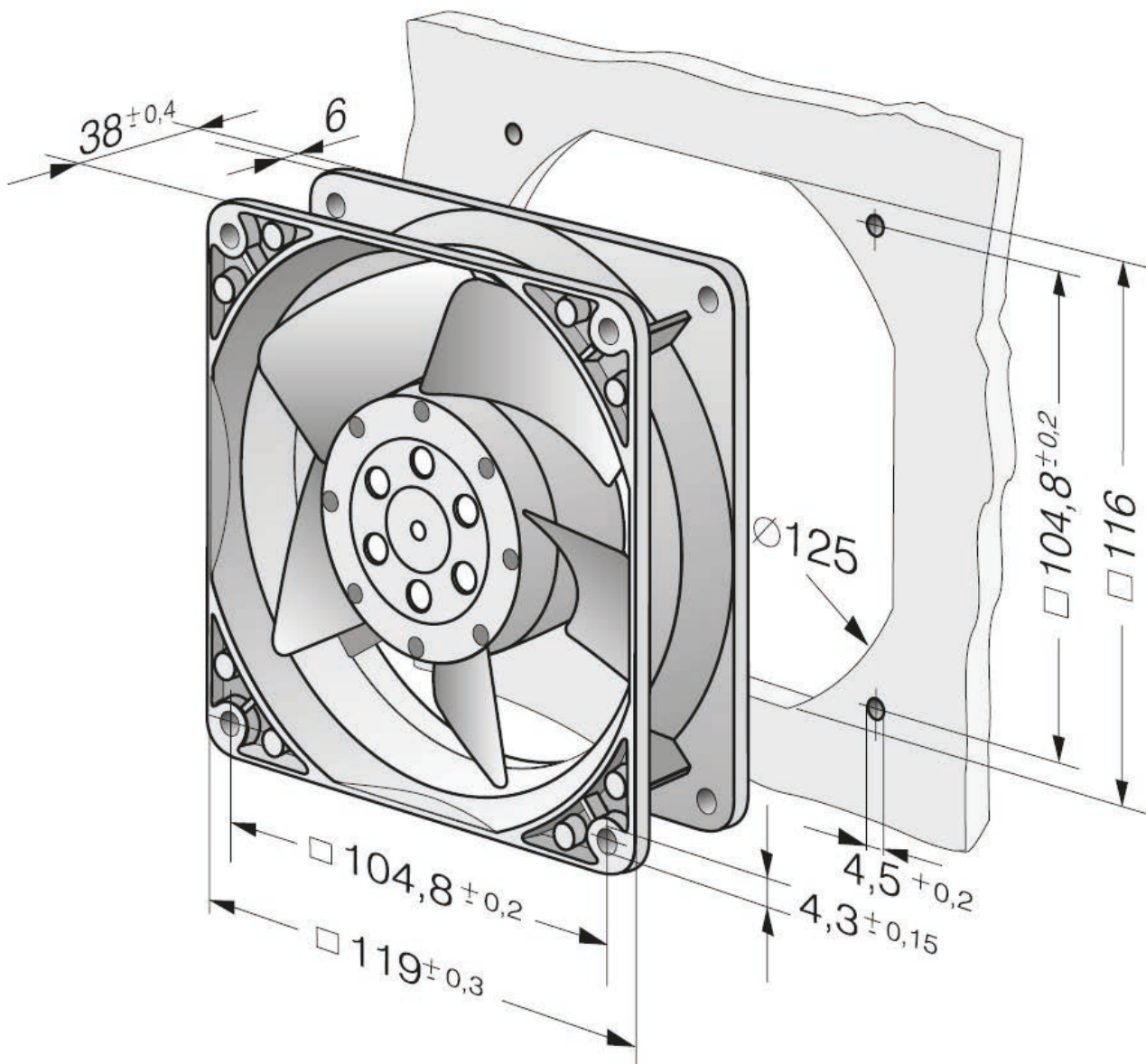
[9920030004](#)

#### Curves: Air performance





## Drawing



# AxiAci 120-IP20 - Size(mm): 119x119x38

AC compact fans



[Back to product overview:](#)



## Material/surface

- Impeller: Glass-fiber reinforced PA plastic
- Housing: Glass-fiber reinforced PBT plastic
- Number of blades: 5

## Technical description

- Direction of rotation: Clockwise, seen on rotor
- Airflow direction: Exhaust over struts
- Protection: IP20
- Bearings: Ball bearings
- Motor protection: Converter electronics and fan electronics fully integrated
- Cable: 2 flat plugs 2.8 x 0.5 mm

## Conformity with standards

- Norm: IEC 60038

Go to	<a href="#">Pricelist</a>
Go to	<a href="#">Accessories</a>
Link to	<a href="#">ebm-papst operating instructions</a>
More at	<a href="http://www.ebmpapst.nl">www.ebmpapst.nl</a>

Nominal Data	Voltage	Frequency	Max. Air flow	Speed	Power consumption	Bearing	Sound pressure level	Service life 40 C	Service life at T max.	Perm. ambient temp.	Weight
Partnumber	VAC	Hz	m3/h	rpm	W		dB(A)	Hrs	Hrs	C	kg
8315100206	110-240	50	175	3300	4,4	ball	42	65000	25000	-20..+75	0,25

note: fans used at 60Hz have slightly more air performance

[Pricelist](#)

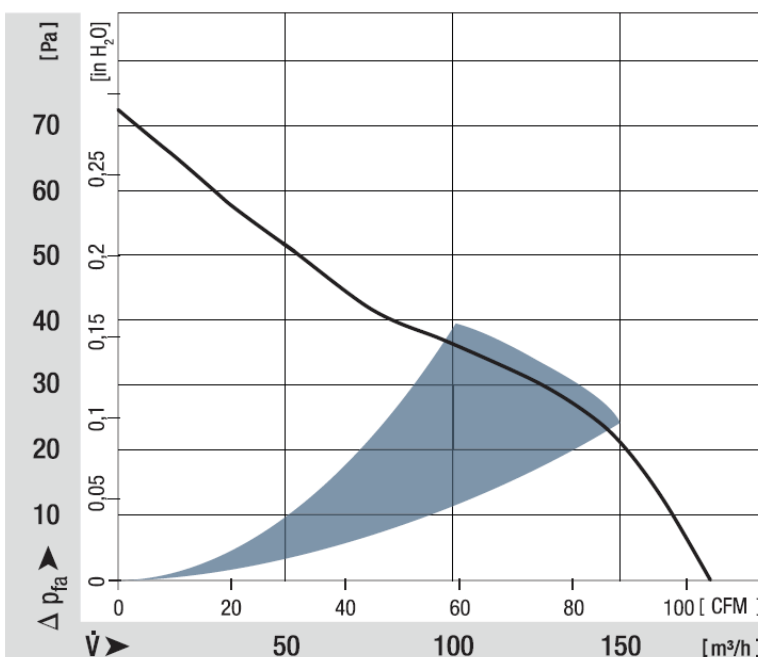
Fan filter

[9920340004](#)

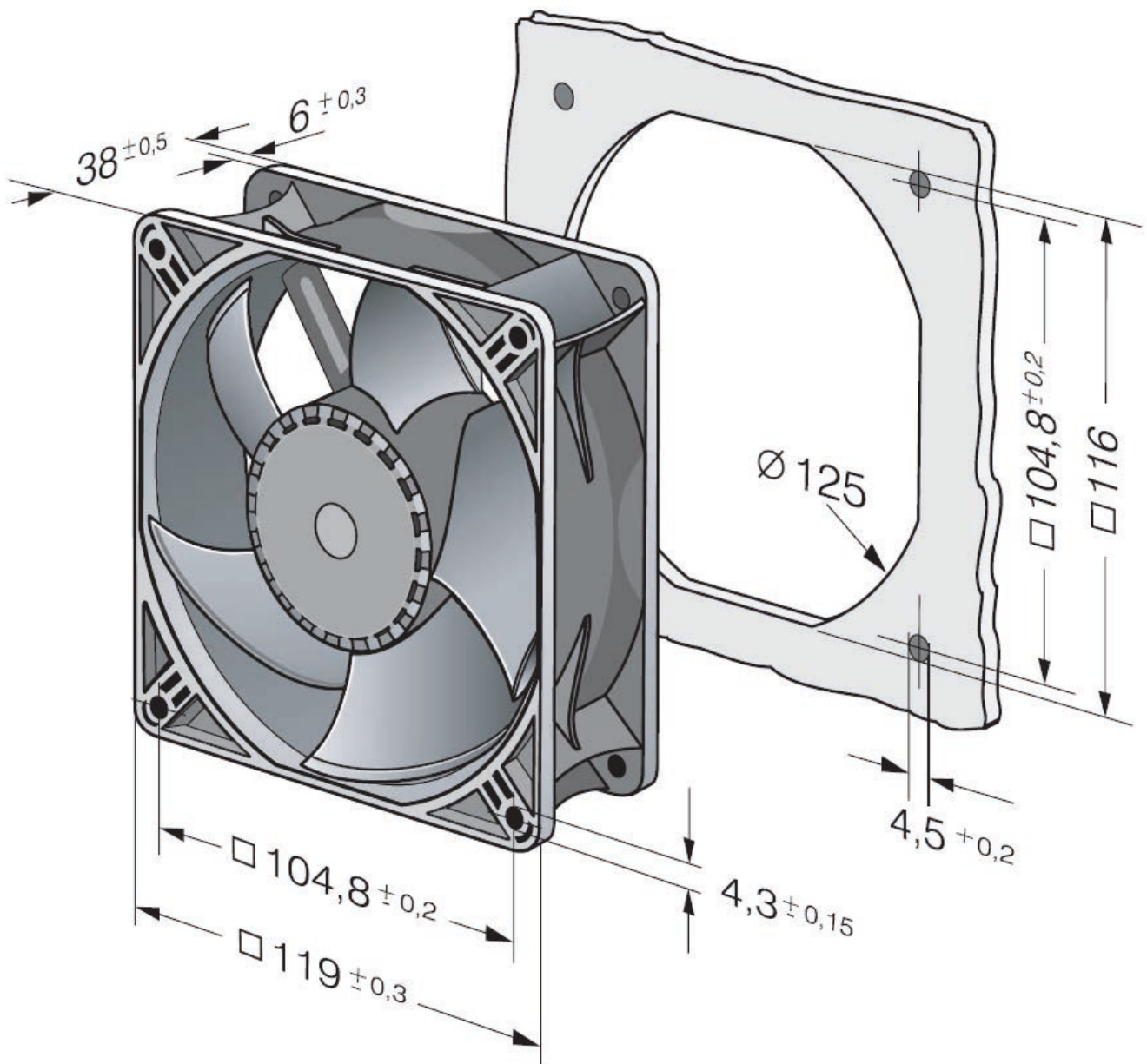
Guard grille

[9920030004](#)

## Curves: Air performance



## Drawing



# AxiAci 120-IP65 - Size(mm): 119x119x38

AC compact fans



[Back to product overview:](#)



## Material/surface

- Impeller: Plastic
- Housing: Plastic
- Number of blades: 5

## Technical description

- Direction of rotation: Clockwise, seen on rotor
- Airflow direction: Exhaust over struts
- Protection: IP65
- Bearings: Ball bearings
- Motor protection: Locked rotor protection
- Cable: 310 mm

## Conformity with standards

- Norm: IEC 60038

Go to	<a href="#">Pricelist</a>
Go to	<a href="#">Accessories</a>
Link to	<a href="#">ebm-papst operating instructions</a>
More at	<a href="http://www.ebmpapst.nl">www.ebmpapst.nl</a>

Nominal Data	Voltage	Frequency	Max. Air flow	Speed	Power consumption	Bearing	Sound pressure level	Service life 40 C	Service life at T max.	Perm. ambient temp.	Weight
Partnumber	VAC	Hz	m3/h	rpm	W		dB(A)	Hrs	Hrs	C	kg
8315100075	110-240	50	175	3300	4,4	ball	43	65000	30000	-20..+75	0,275

note: fans used at 60Hz have slightly more air performance

[Pricelist](#)

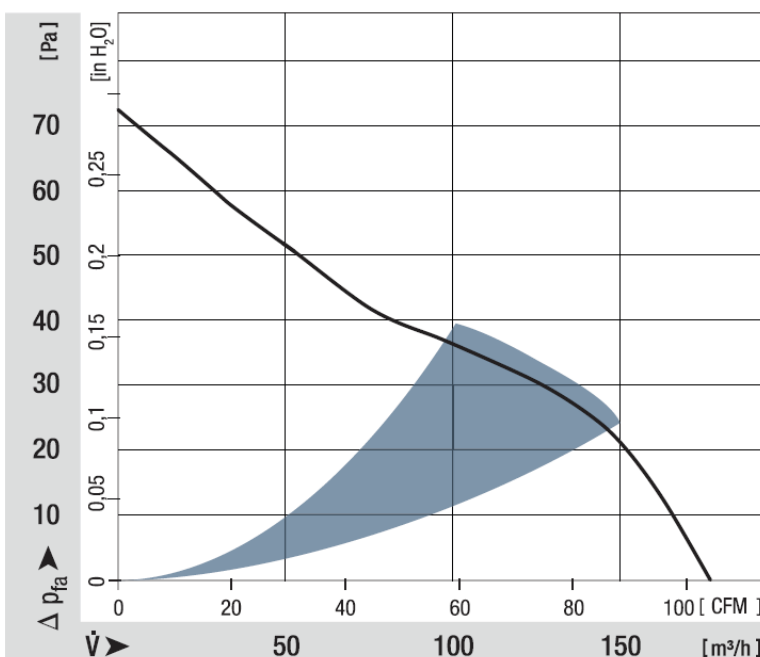
Fan filter

[9920340004](#)

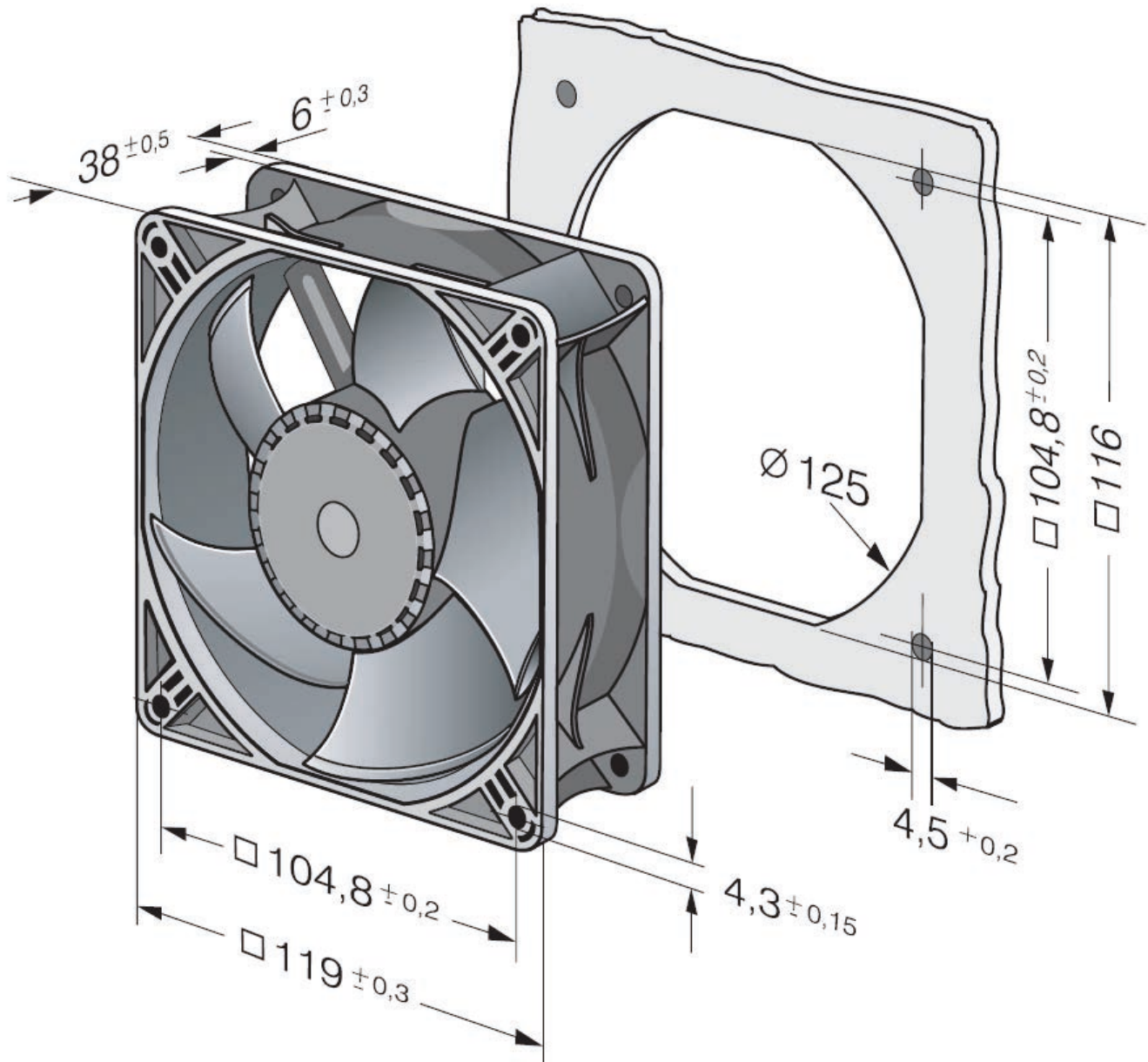
Guard grille

[9920030004](#)

## Curves: Air performance



## Drawing



# 5656 S - Size(mm): 135x135x38

AC compact fans



[Back to product overview:](#)



#### Material/surface

- Impeller: Sheet steel, painted black
- Housing: Die-cast aluminium
- Number of blades: 7

#### Technical description

- Direction of rotation: Counterclockwise, seen on rotor
- Airflow direction: Exhaust over struts
- Protection: IP20
- Bearings: Ball bearings
- Motor protection: Protected from overload by thermal cutout switch
- Cable: 2 flat plugs 2.8 x 0.5 mm

#### Conformity with standards

- Norm: IEC 60038

Go to	<a href="#">Pricelist</a>
Go to	<a href="#">Accessories</a>
Link to	<a href="#">ebm-papst operating instructions</a>
More at	<a href="http://www.ebmpapst.nl">www.ebmpapst.nl</a>

Nominal Data	Voltage	Frequency	Max. Air flow	Speed	Power consumption	Bearing	Sound pressure level	Service life 40 C	Service life at T max.	Perm. ambient temp.	Weight
Partnumber	VAC	Hz	m3/h	rpm	W		dB(A)	Hrs	Hrs	C	kg
9245012001	230	50	235	2700	30	ball	46	45000	20000	-35..+70	0,8

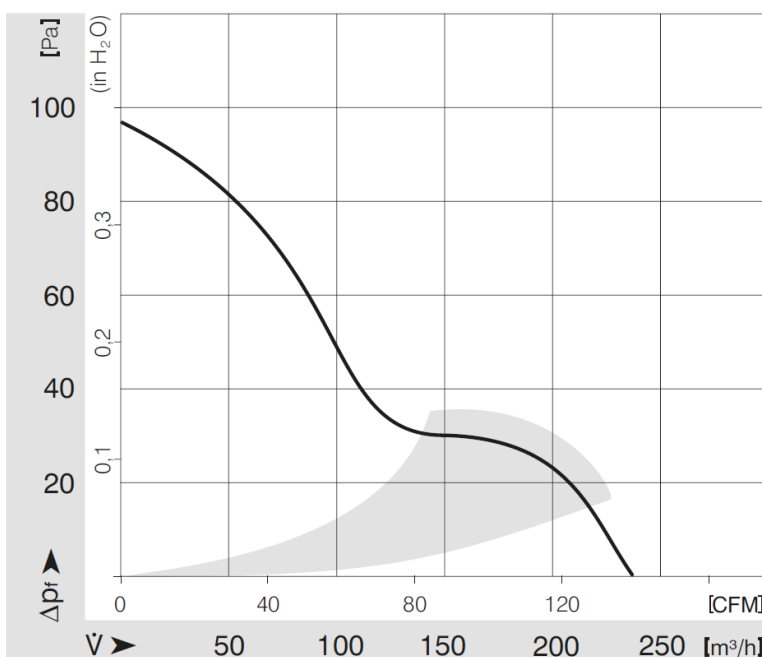
note: fans used at 60Hz have slightly more air performance

[Pricelist](#)

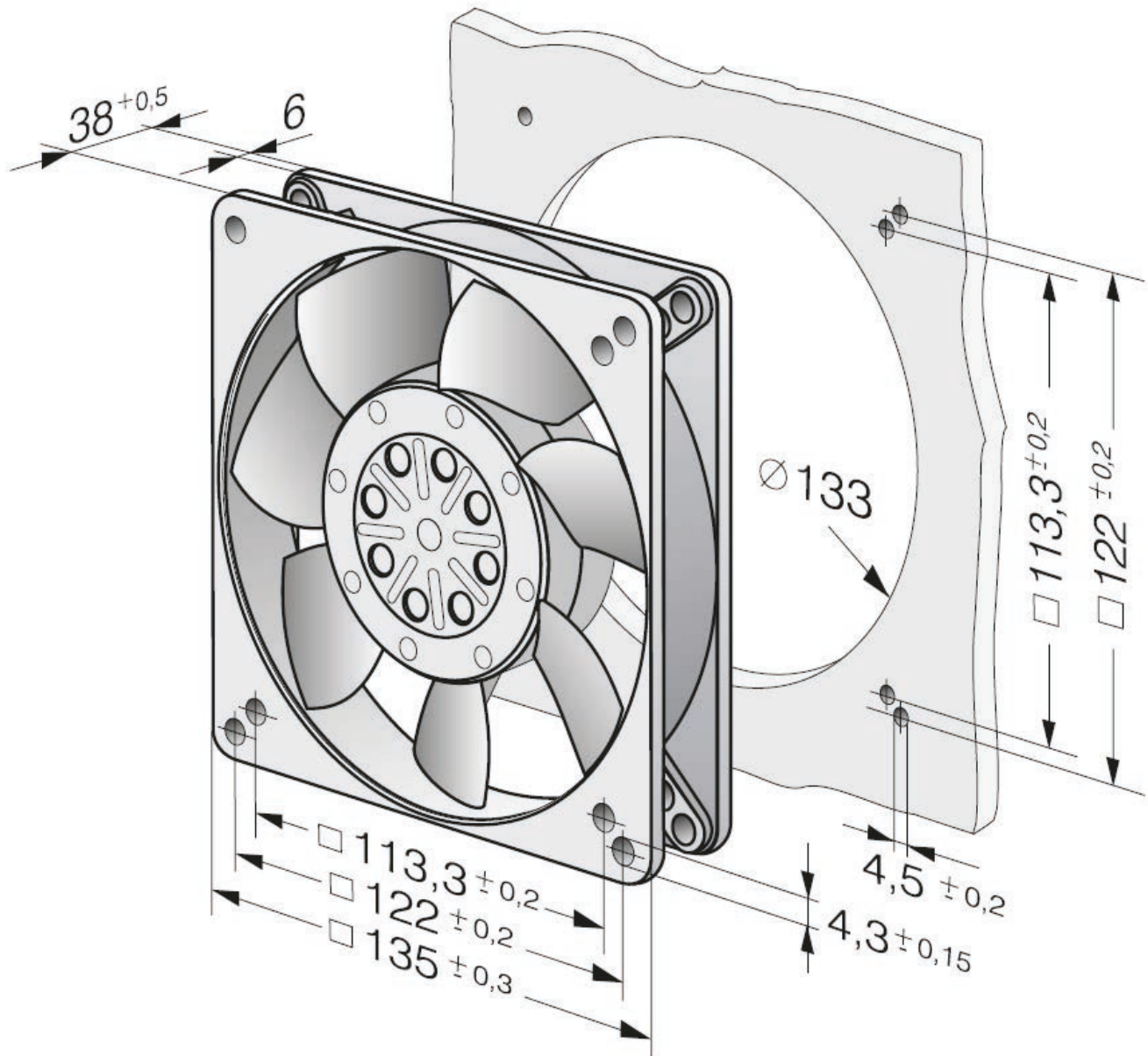
Guard grille

[9920025000](#)

#### Curves: Air performance



## Drawing



# W2S130AA0301 - Size(mm): Ø150x55

AC compact fans



[Back to product overview:](#)



## Material/surface

- Impeller: Sheet steel, painted black
- Housing: Die-cast aluminium, painted black
- Number of blades: 7

## Technical description

- Direction of rotation: Counterclockwise, seen on rotor
- Protection: IP20
- Isolation: B
- Mounting position: Any
- Mode of operation: Continuous (S1)
- Bearings: Ball bearing
- Motor protection: Thermal Overload Protector (TOP) - wired internally
- Cable: 330 mm

## Conformity with standards

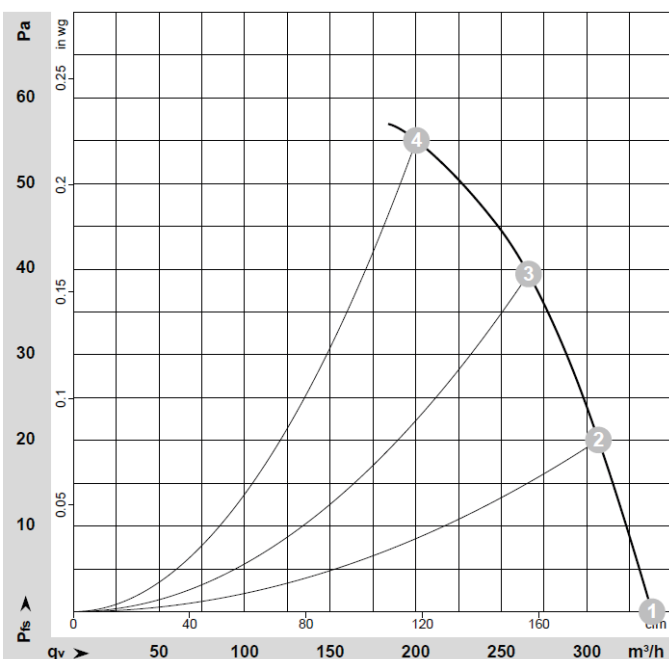
- Norm: EN 60335-1; CE

Go to	<a href="#">Pricelist</a>
Go to	<a href="#">Accessories</a>
Link to	<a href="#">ebm-papst operating instructions</a>
More at	<a href="#">www.ebmpapst.nl</a>

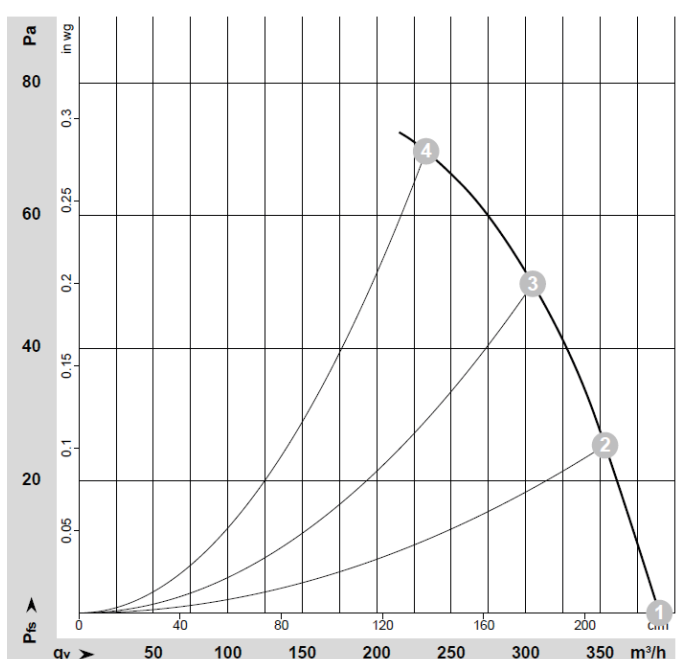
Nominal Data	Motor	Voltage	Frequency	Max. Air flow	Speed	Power consumption	Current draw	Capacitor capacity	Sound pressure level	Max. Back pressure	Perm. ambient temp.	Weight
Type	VAC	Hz	m3/h	rpm	W	A	µF/V	dB(A)	Pa	C	kg	
W2S130AA0301	M2S052-CA	230	50	340	2800	45	0,31	-	49	80	-25..+50	1,1
		230	60	390	3250	39	0,25	-	53	120	-25..+70	

Subject to modification [Pricelist](#) Guard grille [9920036000](#)

Pressure over air flow at 50Hz

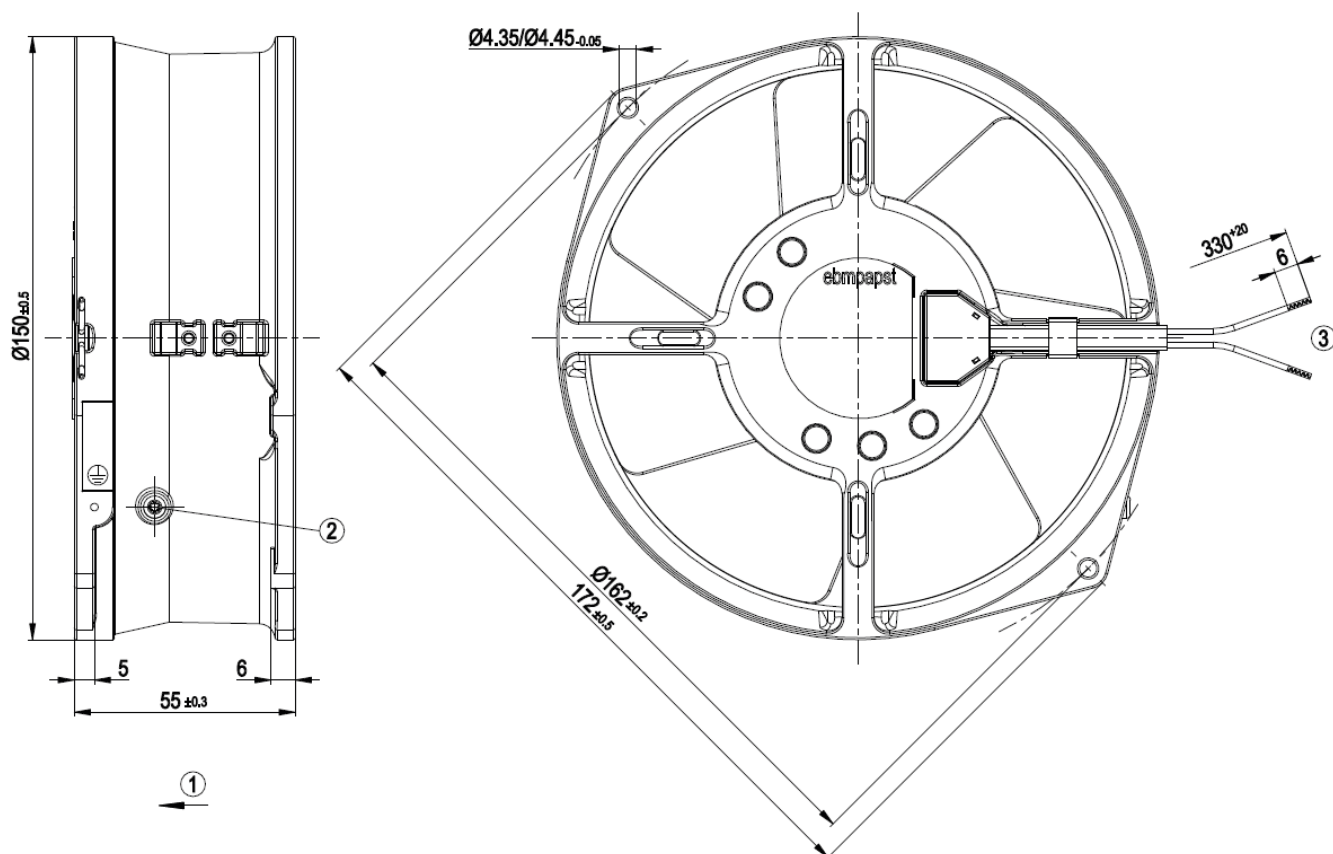


Pressure over air flow at 60Hz



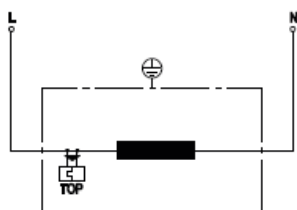


## Drawing



1	Direction of air flow "V"
2	M4 screw for fastening ground connector
3	Cable AWG20, 2x crimped splices

## Connection illustration



L	= black
N	= black
TOP	= Thermal overload protector

# W2E142BB0101 - Size(mm): 150x172x38

AC compact fans



[Back to product overview:](#)



## Material/surface

- Impeller: Sheet steel, painted black
- Housing: Die-cast aluminium
- Number of blades: 7

## Technical description

- Direction of rotation: Counterclockwise, seen on rotor
- Protection: IP22
- Isolation: B
- Mounting position: Any
- Mode of operation: Continuous (S1)
- Bearings: Ball bearing
- Motor protection: Thermal Overload Protector (TOP) - wired internally
- Cable: 2 flat plugs 2.8 x 0.5 mm

## Conformity with standards

- Norm: EN 60335-1; CE

Go to	<a href="#">Pricelist</a>
Go to	<a href="#">Accessories</a>
Link to	<a href="#">ebm-papst operating instructions</a>
More at	<a href="#">www.ebmpapst.nl</a>

Nominal Data	Motor	Voltage	Frequency	Max. Air flow	Speed	Power consumption	Current draw	Capacitor capacity	Sound pressure level	Max. Back pressure	Perm. ambient temp.	Weight
Type	M2E052-BA	VAC	Hz	m3/h	rpm	W	A	µF/V	dB(A)	Pa	C	kg
W2E142BB0101		230	50	325	2800	27	0,12	1/400	-	50	-25..+55	0,8
		230	60	385	3250	28	0,13	1/400	-	70	-25..+65	

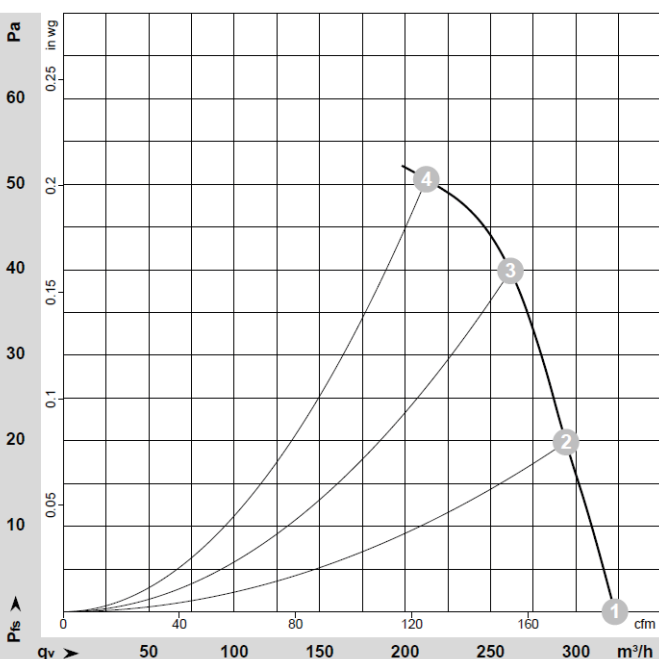
Subject to modification

[Pricelist](#)

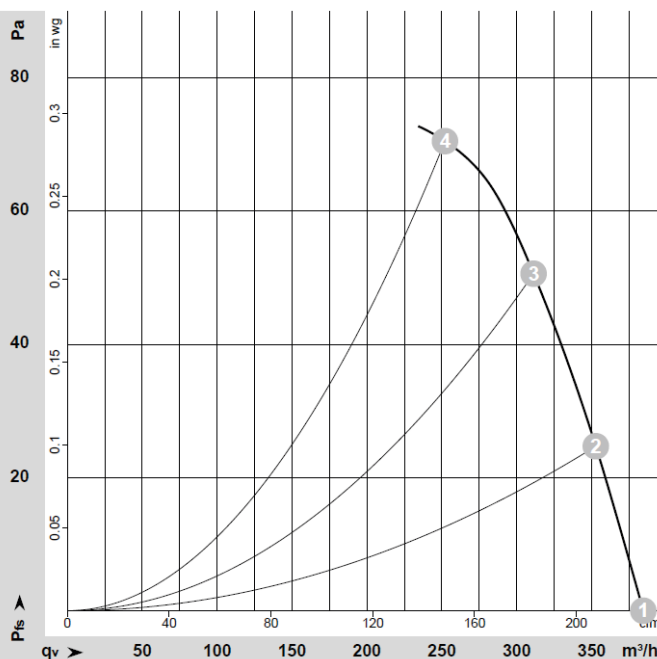
Guard grille

[9920036000](#)

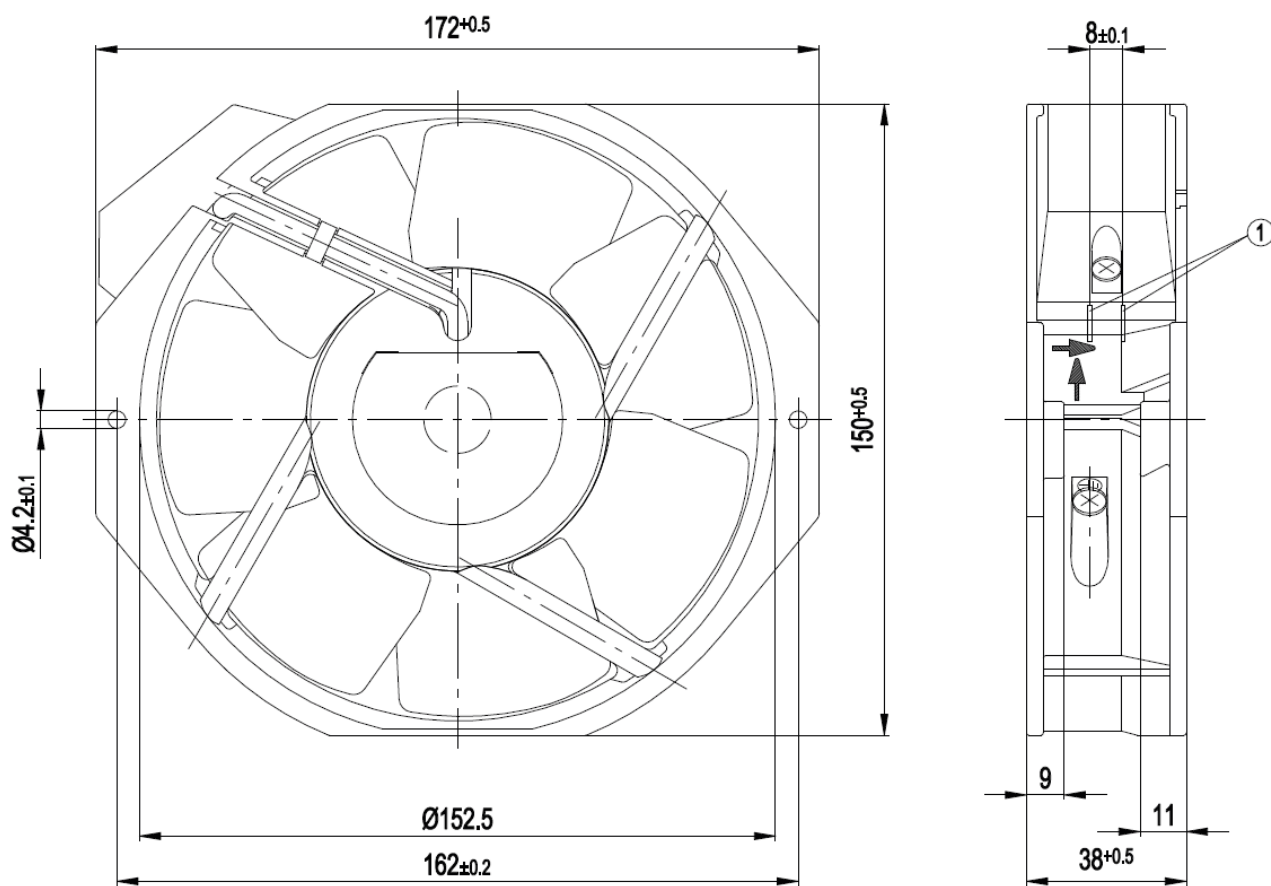
Pressure over air flow at 50Hz



Pressure over air flow at 60Hz



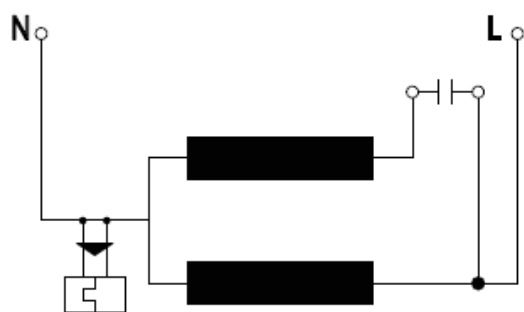
## Drawing



1 2x flat plug 2.8 x 0.5 mm

Spare parts

## Connection illustration



# W2E143AB0901 - Size(mm): Ø172x51

AC compact fans



[Back to product overview:](#)



## Material/surface

- Impeller: Sheet steel, painted black
- Housing: Die-cast aluminium, painted black
- Number of blades: 5

## Technical description

- Direction of rotation: Counterclockwise, seen on rotor
- Protection: IP20
- Isolation: B
- Mounting position: Any
- Mode of operation: Continuous (S1)
- Bearings: Ball bearing
- Motor protection: Thermal Overload Protector (TOP) - wired internally
- Cable: 2 flat plugs 2.8 x 0.5 mm

## Conformity with standards

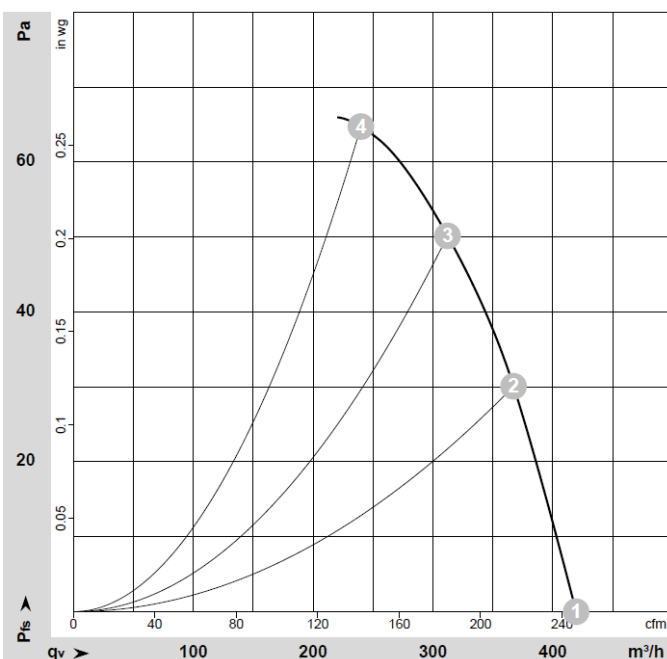
- Norm: EN 60335-1; CE

Go to	<a href="#">Pricelist</a>
Go to	<a href="#">Accessories</a>
Link to	<a href="#">ebm-papst operating instructions</a>
More at	<a href="http://www.ebmpapst.nl">www.ebmpapst.nl</a>

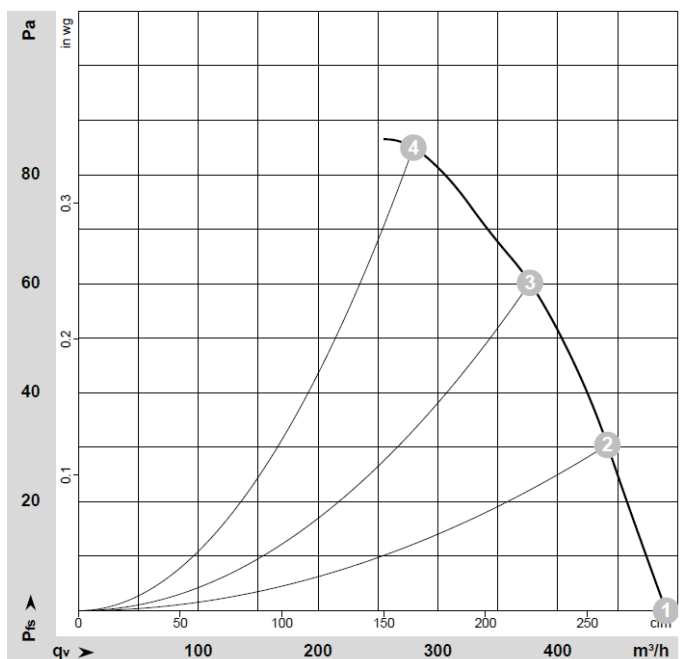
Nominal Data	Motor	Voltage	Frequency	Max. Air flow	Speed	Power consumption	Current draw	Capacitor capacity	Sound pressure level	Max. Back pressure	Perm. ambient temp.	Weight
Type	VAC	Hz	m3/h	rpm	W	A	µF/V	dB(A)	Pa	C	kg	
W2E143AB0901	M2E052-BF	230	50	420	2800	24	0,12	0,75/400	-	65	-25..+60	0,91
		230	60	490	3300	30	-	0,75/400	-	85	-25..+75	

Subject to modification [Pricelist](#) Guard grille [9920036000](#)

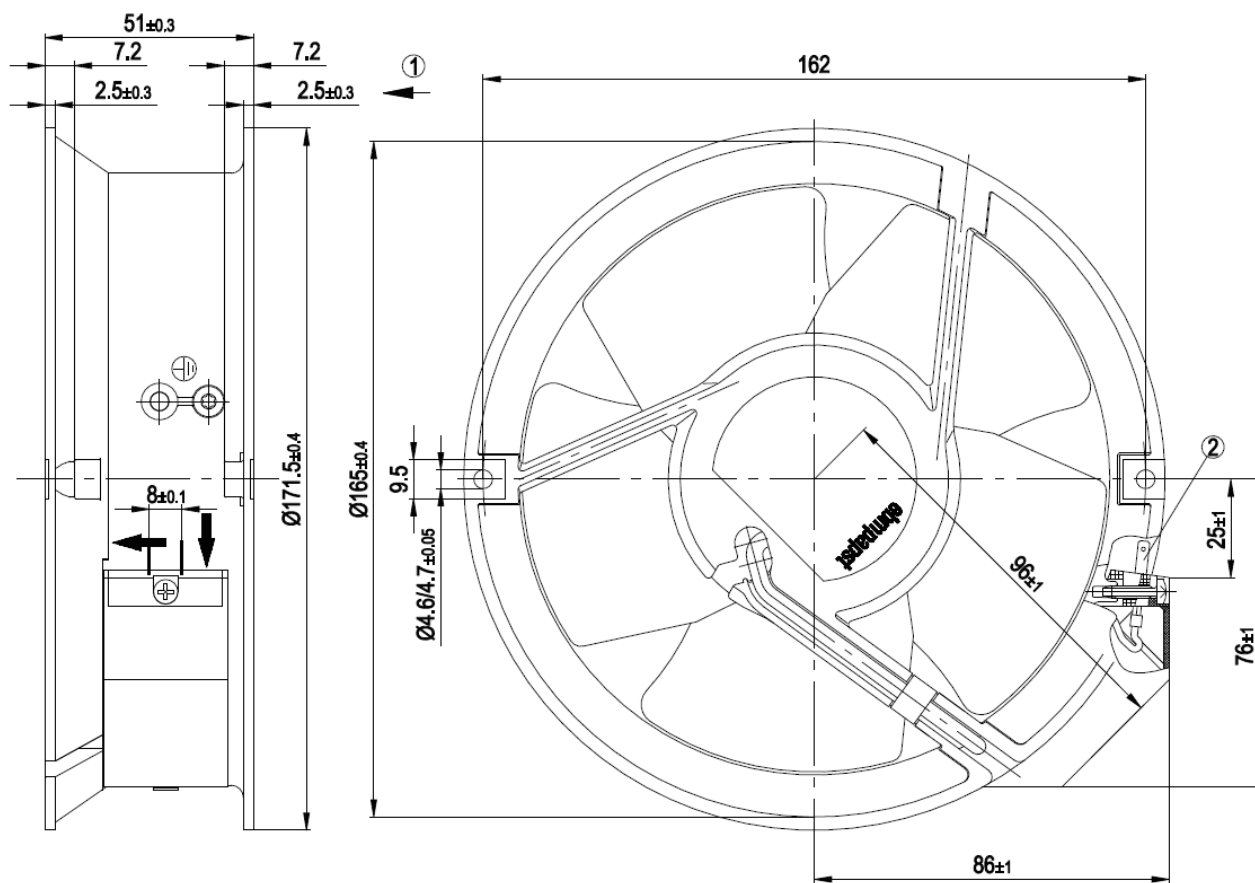
Pressure over air flow at 50Hz



Pressure over air flow at 60Hz

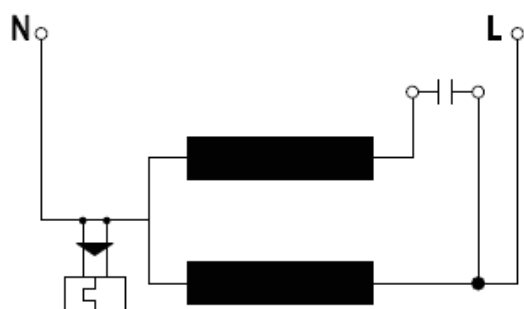


## Drawing



- |   |                           |
|---|---------------------------|
| 1 | Direction of air flow "V" |
| 2 | Flat plug 2.8 x 0.5 mm    |

## Connection illustration



# W2E200HK3801 - Size(mm): 225x225x80

AC compact fans



[Back to product overview:](#)



## Material/surface

- Impeller: Sheet steel, painted black
- Housing: Die-cast aluminium
- Number of blades: 7

## Technical description

- Direction of rotation: Counterclockwise, seen on rotor
- Protection: IP44
- Isolation: B
- Mounting position: Any
- Mode of operation: Continuous (S1)
- Bearings: Ball bearing
- Motor protection: Thermal Overload Protector (TOP) - wired internally
- Cable: Variable

## Conformity with standards

- Norm: EN 60335-1; CE

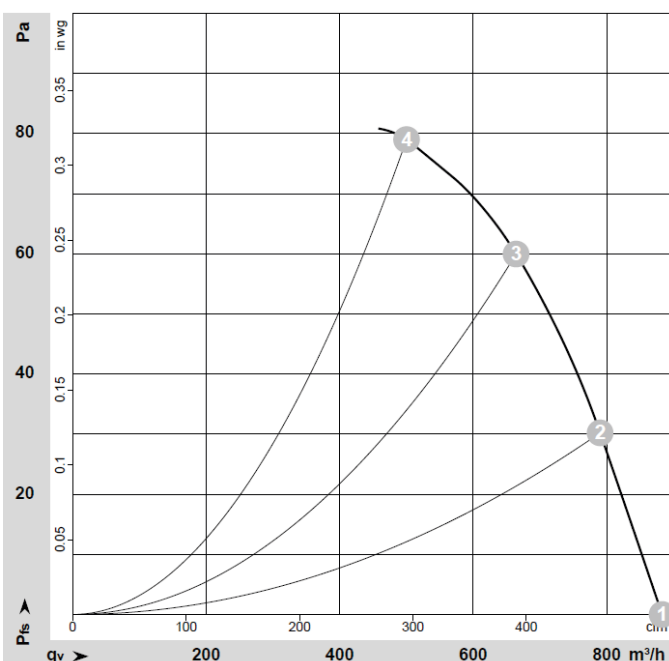
Go to	<a href="#">Pricelist</a>
Go to	<a href="#">Accessories</a>
Link to	<a href="#">ebm-papst operating instructions</a>
More at	<a href="http://www.ebmpapst.nl">www.ebmpapst.nl</a>

Nominal Data	Motor	Voltage	Frequency	Max. Air flow	Speed	Power consumption	Current draw	Capacitor capacity	Sound pressure level	Max. Back pressure	Perm. ambient temp.	Weight
Type	VAC	Hz	m3/h	rpm	W	A	µF/V	dB(A)	Pa	C	kg	
W2E200HK3801	M2E068-BF	230	50	885	2550	64	0,29	1,5/450	58	80	-25..+60	2,1
		230	60	1005	2800	80	0,35	1,5/450	61	95	-25..+65	

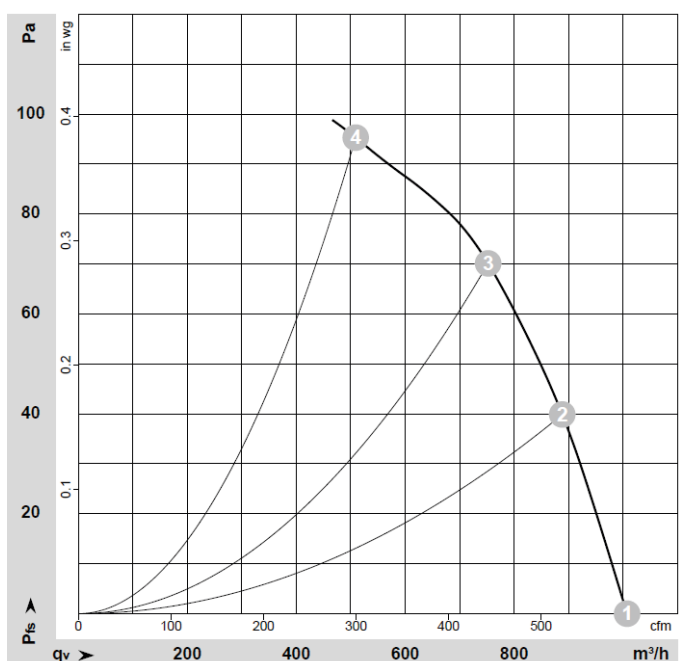
Subject to modification

[Pricelist](#)

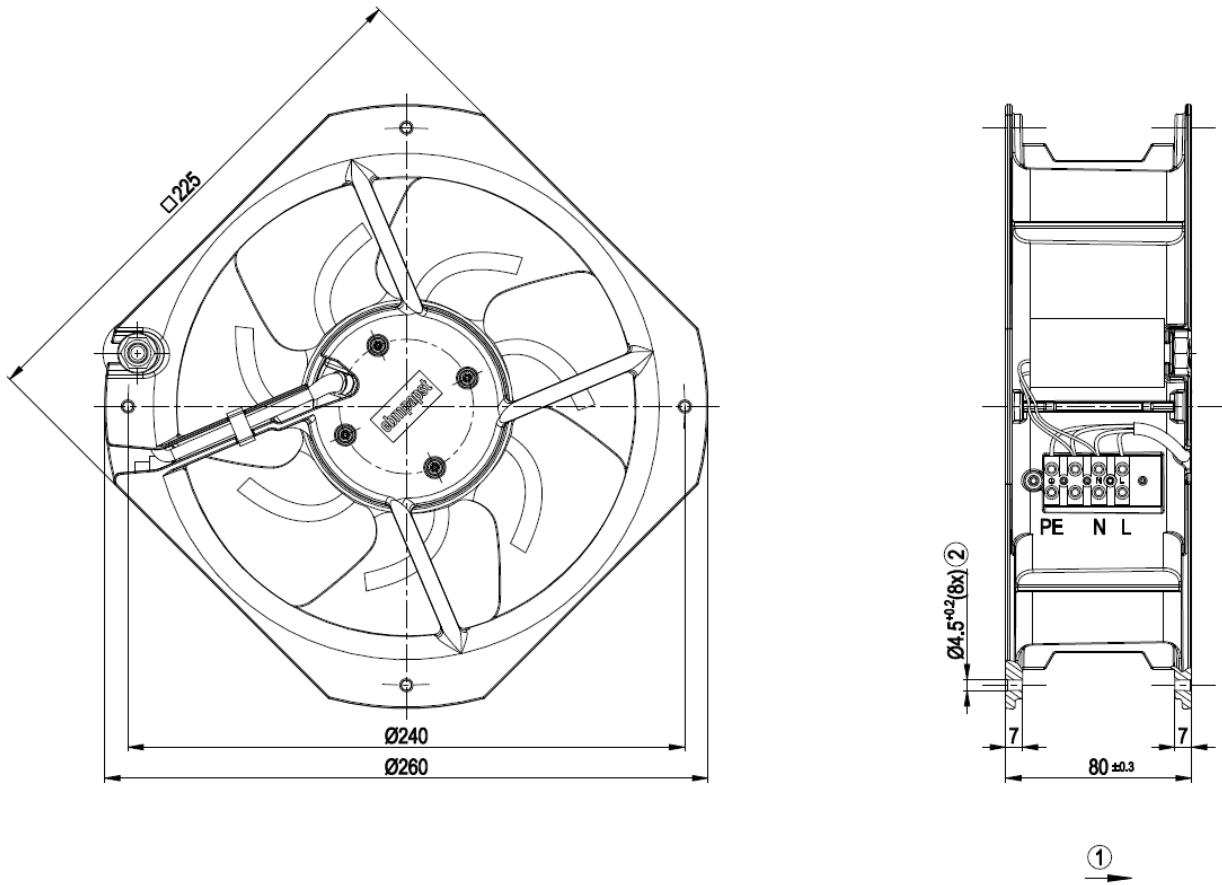
Pressure over air flow at 50Hz



Pressure over air flow at 60Hz

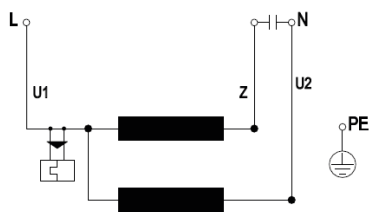


Drawing



- 1 Direction of air flow "V"
- 2 For self-tapping M5 screws

Connection illustration



U1	blue	Z	brown	U2	black
PE	green/yellow				

Spare parts

# W2E250HL0619 - Size(mm): 280x280x80

AC compact fans

[Back to product overview:](#)



### Material/surface

- Impeller: Sheet steel, painted black
- Housing: Die-cast aluminium
- Number of blades: 7

### Technical description

- Direction of rotation: Counterclockwise, seen on rotor
- Protection: IP44
- Isolation: F
- Mounting position: Any
- Mode of operation: Continuous (S1)
- Bearings: Ball bearing
- Motor protection: Thermal Overload Protector (TOP) - wired internally
- Cable: Variable

### Conformity with standards

- Norm: EN 60335-1; CE; UL available

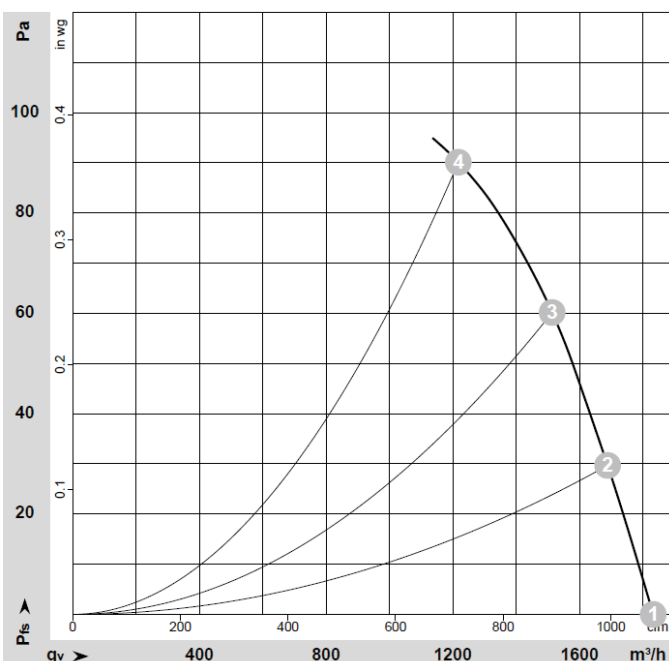
Go to	<a href="#">Pricelist</a>
Go to	<a href="#">Accessories</a>
Link to	<a href="#">ebm-papst operating instructions</a>
More at	<a href="#">www.ebmpapst.nl</a>

Nominal Data	Motor	Voltage	Frequency	Max. Air flow	Speed	Power consumption	Current draw	Capacitor capacity	Sound pressure level	Max. Back pressure	Perm. ambient temp.	Weight
Type	M2E068-CF	VAC	Hz	m3/h	rpm	W	A	µF/V	dB(A)	Pa	C	kg
W2E250HL0619		230	50	1835	2450	115	0,51	3/400	-	90	-25..+75	2,0
		230	60	1910	2600	150	0,66	3/400	-	75	-25..+60	

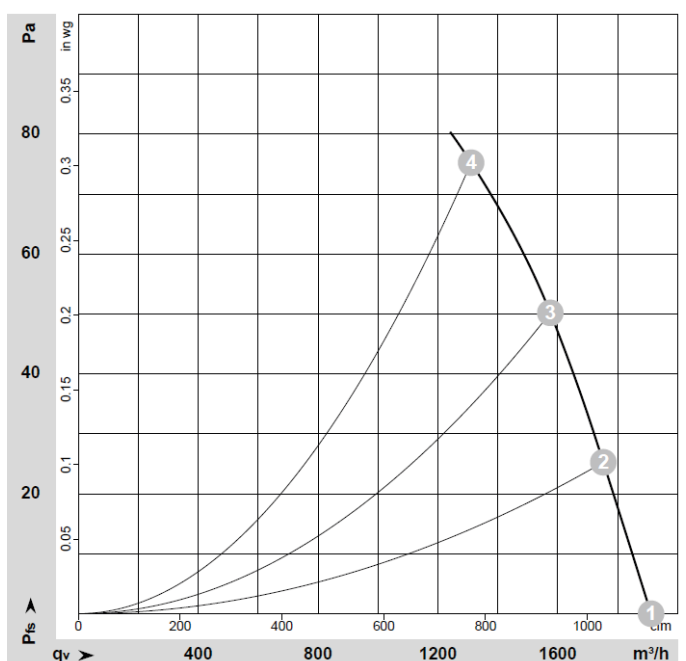
Subject to modification

[Pricelist](#)

Pressure over air flow at 50Hz

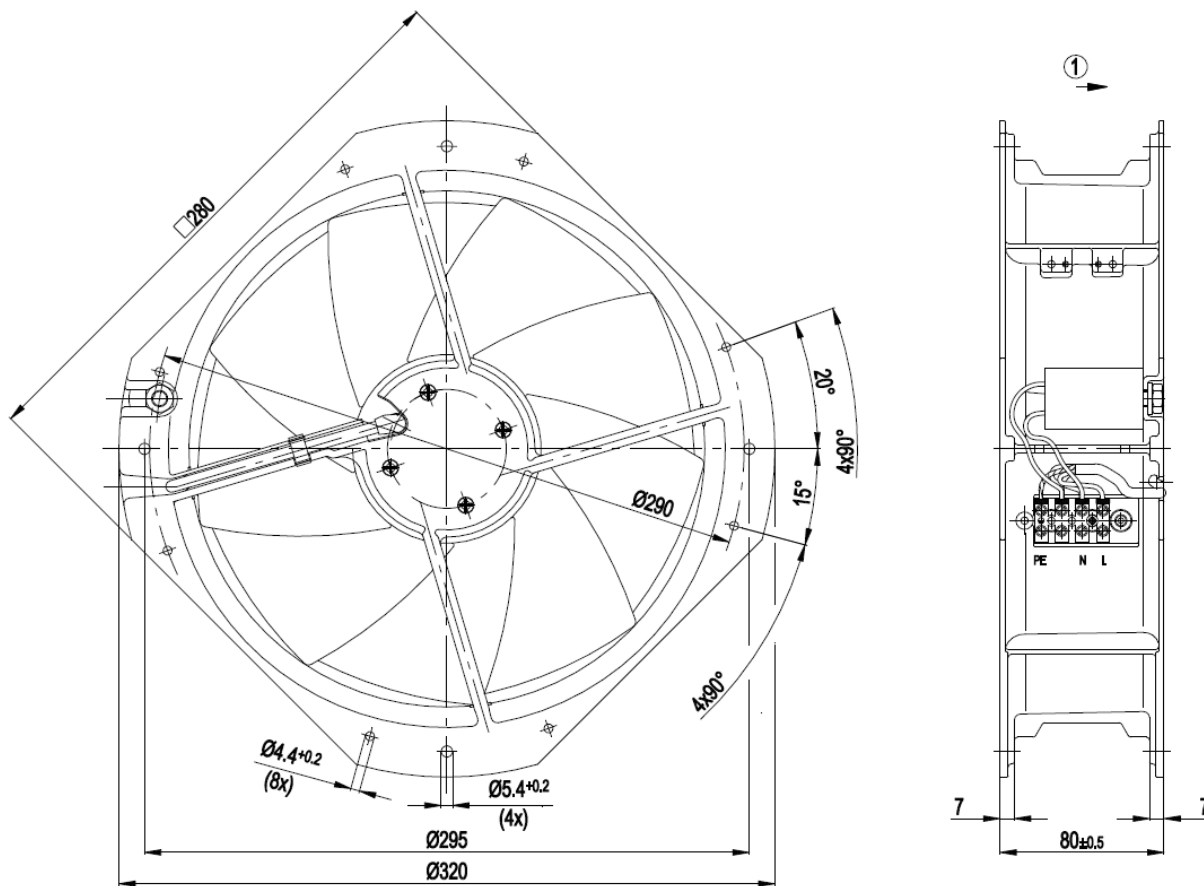


Pressure over air flow at 60Hz



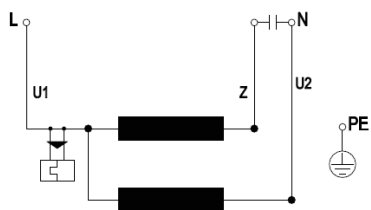


Drawing



1 Direction of air flow "V"

Connection illustration



U1	blue	Z	brown	U2	black
PE	green/yellow				



# DC compact fans

**ebmpapst**

engineering a better life

# 414 F - Size(mm): 40x40x10

DC compact fans



[Back to product overview:](#)



## Material/surface

- Impeller: Glass-fiber reinforced PA plastic
- Housing: Glass-fiber reinforced PBT plastic
- Number of blades: 7

## Technical description

- Direction of rotation: Counterclockwise, seen on rotor
- Airflow direction: Exhaust over struts
- Protection: IP20
- Bearings: Sintec sleeve bearing
- Motor protection: Protection against reverse polarity and blocked rotor
- Cable: Leads AWG 28, TR 64, stripped and tin-plated

## Conformity with standards

- Norm: IEC 60038

Go to	<a href="#">Pricelist</a>
Go to	<a href="#">Accessories</a>
Link to	<a href="#">ebm-papst operating instructions</a>
More at	<a href="http://www.ebmpapst.nl">www.ebmpapst.nl</a>

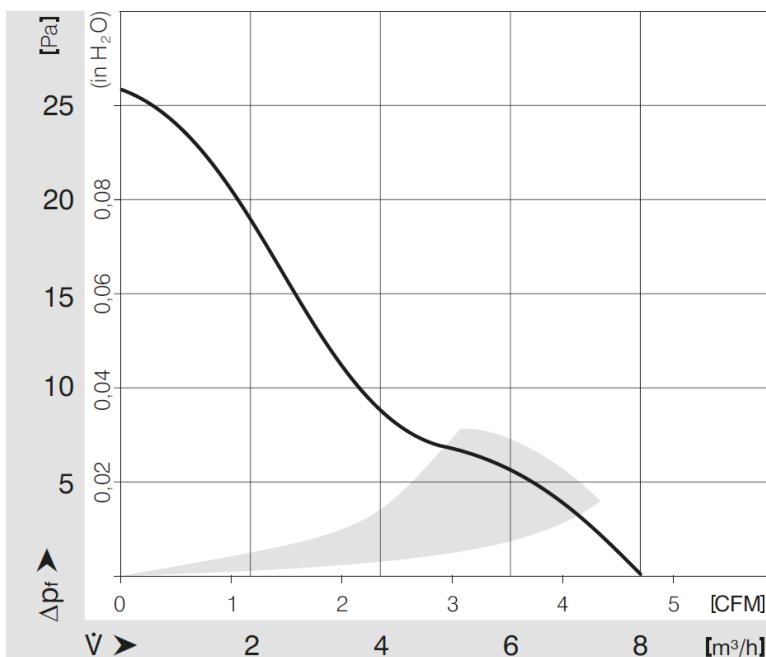
Nominal Data	Voltage	Max. Air flow	Speed	Power consumption	Bearing	Sound pressure level	Service life 20 C	Service life 60 C	Perm. ambient temp.	Weight
Partnumber	VDC	m3/h	rpm	W		dB(A)	Hrs	Hrs	C	kg
9291705005	24	8	5400	0,8	sleeve	22,1	45000	17500	-25..+70	0,017

[Pricelist](#)

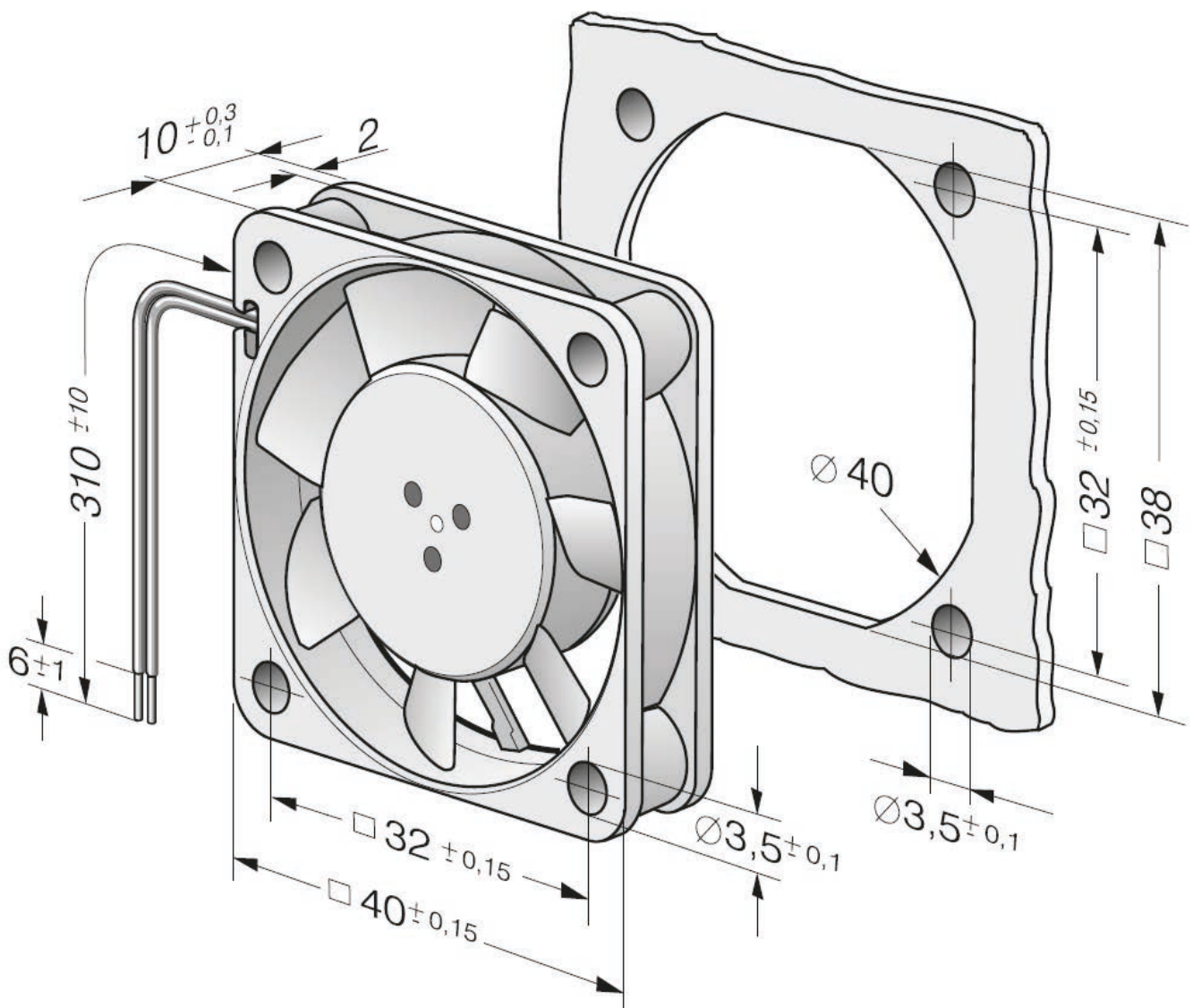
[Guard grille](#)

[9920029001](#)

## Curves: Air performance



## Drawing



# 412 - Size(mm): 40x40x20

DC compact fans



[Back to product overview:](#)



## Material/surface

- Impeller: Glass-fiber reinforced PA plastic
- Housing: Glass-fiber reinforced PBT plastic
- Number of blades: 5

## Technical description

- Direction of rotation: Counterclockwise, seen on rotor
- Airflow direction: Exhaust over struts
- Protection: IP20
- Bearings: Sintec sleeve bearing
- Motor protection: Protection against reverse polarity and blocked rotor
- Cable: Leads AWG 28, TR 64, stripped and tin-plated

## Conformity with standards

- Norm: IEC 60038

Go to	<a href="#">Pricelist</a>
Go to	<a href="#">Accessories</a>
Link to	<a href="#">ebm-papst operating instructions</a>
More at	<a href="http://www.ebmpapst.nl">www.ebmpapst.nl</a>

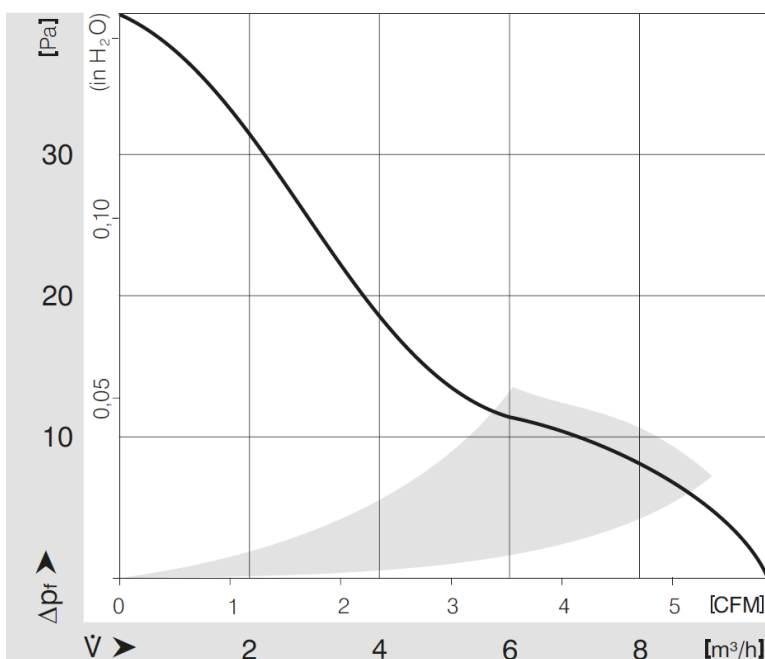
Nominal Data	Voltage	Max. Air flow	Speed	Power consumption	Bearing	Sound pressure level	Service life 20 C	Service life 60 C	Perm. ambient temp.	Weight
Partnumber	VDC	m3/h	rpm	W		dB(A)	Hrs	Hrs	C	kg
9291708001	12	10	6000	0,8	sleeve	18	50000	20000	-20..+70	0,027

[Pricelist](#)

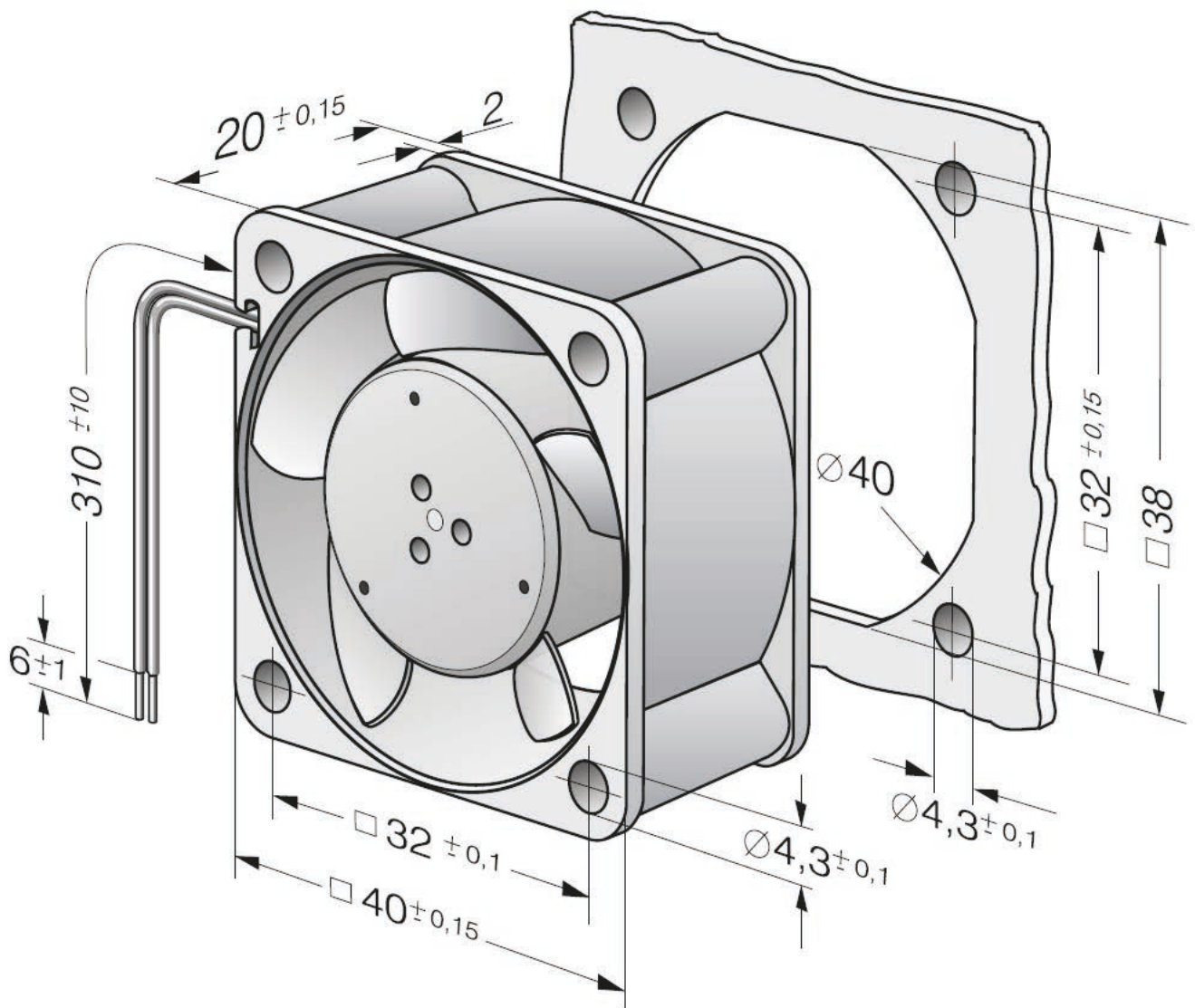
Guard grille

[9920029001](#)

## Curves: Air performance



## Drawing



# 414 - Size(mm): 40x40x20

DC compact fans



[Back to product overview:](#)



## Material/surface

- Impeller: Glass-fiber reinforced PA plastic
- Housing: Glass-fiber reinforced PBT plastic
- Number of blades: 5

## Technical description

- Direction of rotation: Counterclockwise, seen on rotor
- Airflow direction: Exhaust over struts
- Protection: IP20
- Bearings: Sintec sleeve bearing
- Motor protection: Protection against reverse polarity and blocked rotor
- Cable: Leads AWG 28, TR 64, stripped and tin-plated

## Conformity with standards

- Norm: IEC 60038

Go to	<a href="#">Pricelist</a>
Go to	<a href="#">Accessories</a>
Link to	<a href="#">ebm-papst operating instructions</a>
More at	<a href="#">www.ebmpapst.nl</a>

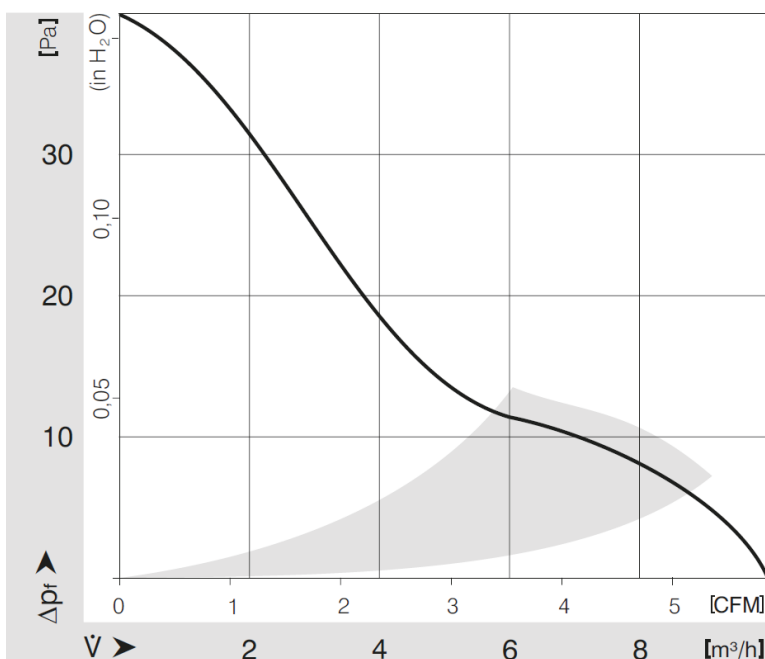
Nominal Data	Voltage	Max. Air flow	Speed	Power consumption	Bearing	Sound pressure level	Service life 20 C	Service life 60 C	Perm. ambient temp.	Weight
Partnumber	VDC	m3/h	rpm	W		dB(A)	Hrs	Hrs	C	kg
9291708002	24	10	6000	1,0	sleeve	18	50000	20000	-20..+70	0,027

[Pricelist](#)

Guard grille

[9920029001](#)

## Curves: Air performance







# 614 F - Size(mm): 60x60x15

DC compact fans



[Back to product overview:](#)



## Material/surface

- Impeller: Glass-fiber reinforced PA plastic
- Housing: Glass-fiber reinforced PBT plastic
- Number of blades: 7

## Technical description

- Direction of rotation: Counterclockwise, seen on rotor
- Airflow direction: Exhaust over struts
- Protection: IP20
- Bearings: Sintec sleeve bearing
- Motor protection: Protection against reverse polarity and blocked rotor
- Cable: Leads AWG 28, TR 64, stripped and tin-plated

## Conformity with standards

- Norm: IEC 60038

Go to	<a href="#">Pricelist</a>
Go to	<a href="#">Accessories</a>
Link to	<a href="#">ebm-papst operating instructions</a>
More at	<a href="http://www.ebmpapst.nl">www.ebmpapst.nl</a>

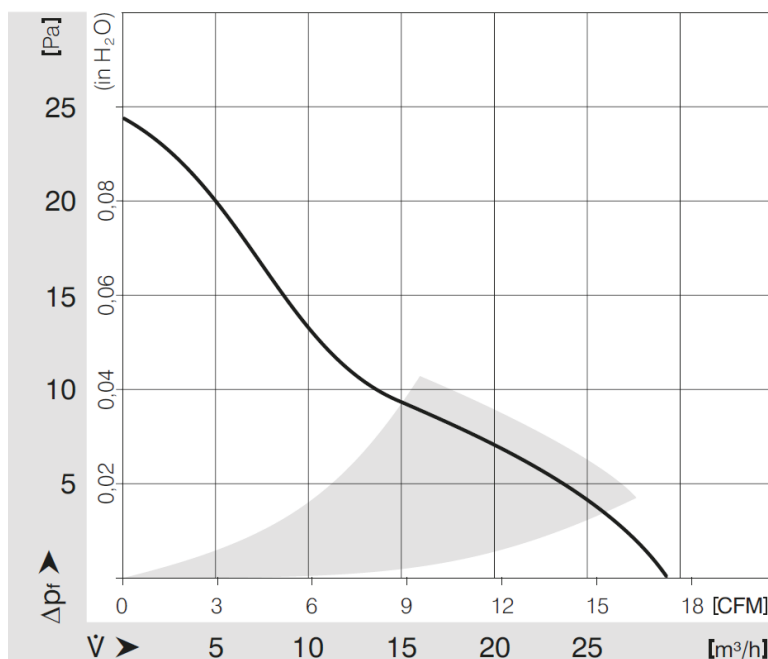
Nominal Data	Voltage	Max. Air flow	Speed	Power consumption	Bearing	Sound pressure level	Service life 20 C	Service life 60 C	Perm. ambient temp.	Weight
Partnumber	VDC	m3/h	rpm	W		dB(A)	Hrs	Hrs	C	kg
9291708612	24	29	3900	1,1	sleeve	27	50000	20000	-20..+70	0,030

[Pricelist](#)

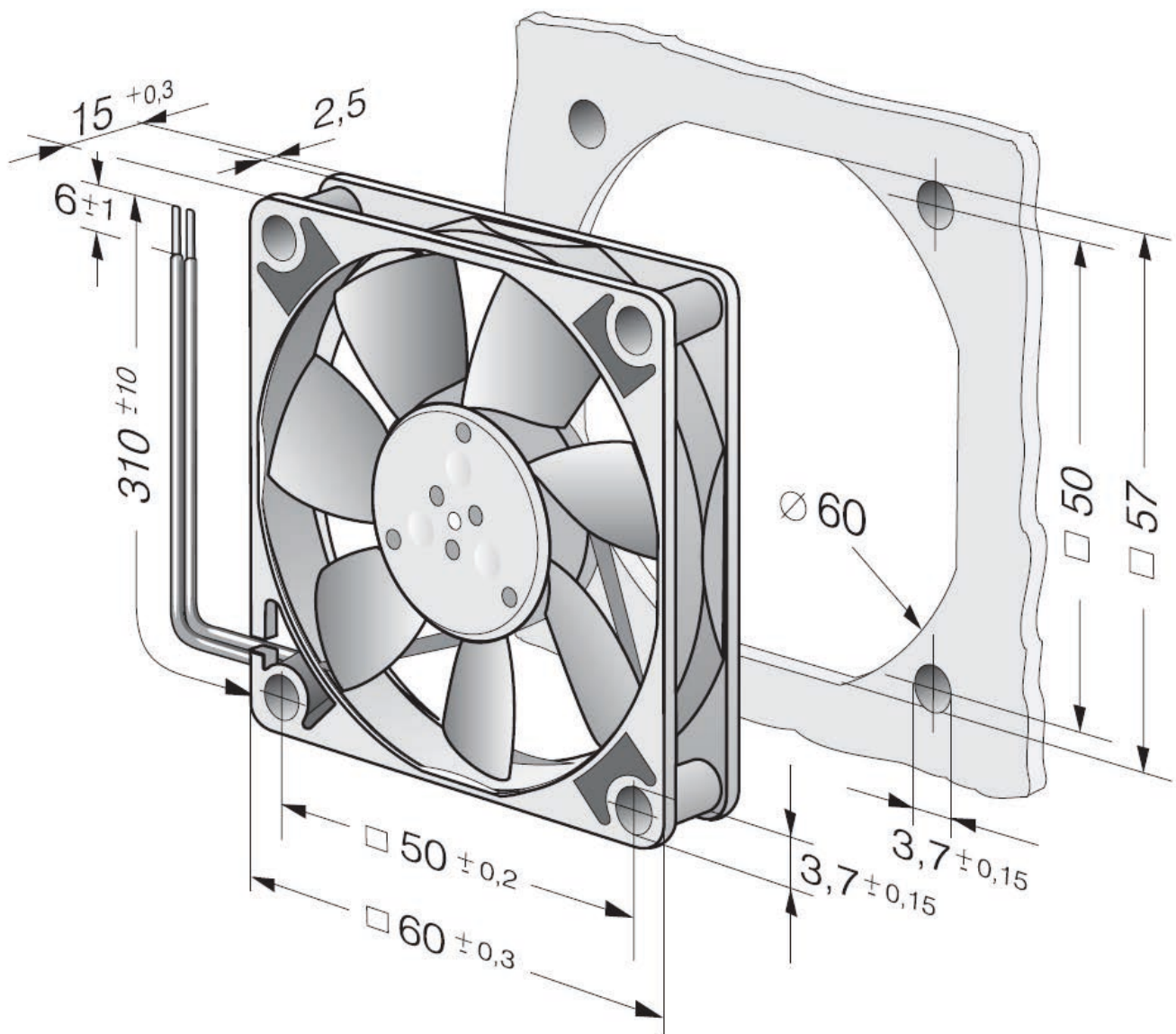
[Guard grille](#)

[9920028001](#)

## Curves: Air performance



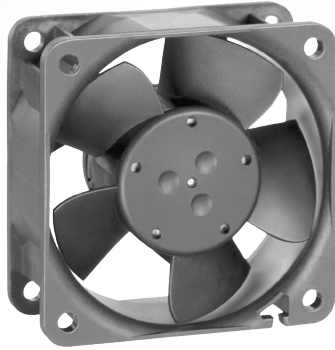
## Drawing



# 612 NGMLE - Size(mm): 60x60x25

DC compact fans

[Back to product overview:](#)



### Material/surface

- Impeller: Glass-fiber reinforced PA plastic
- Housing: Glass-fiber reinforced PBT plastic
- Number of blades: 5

### Technical description

- Direction of rotation: Clockwise, seen on rotor
- Airflow direction: Exhaust over struts
- Protection: IP54 / IP68
- Bearings: Sintec sleeve bearing
- Motor protection: Protection against reverse polarity and blocked rotor
- Cable: Leads AWG 22, TR 64, stripped and tin-plated

### Conformity with standards

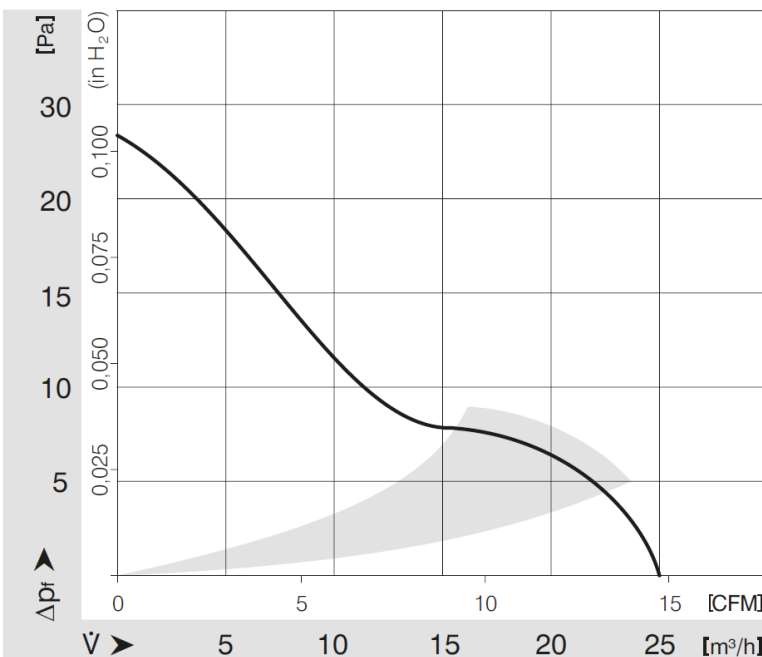
- Norm: IEC 60038

Go to	<a href="#">Pricelist</a>
Go to	<a href="#">Accessories</a>
Link to	<a href="#">ebm-papst operating instructions</a>
More at	<a href="http://www.ebmpapst.nl">www.ebmpapst.nl</a>

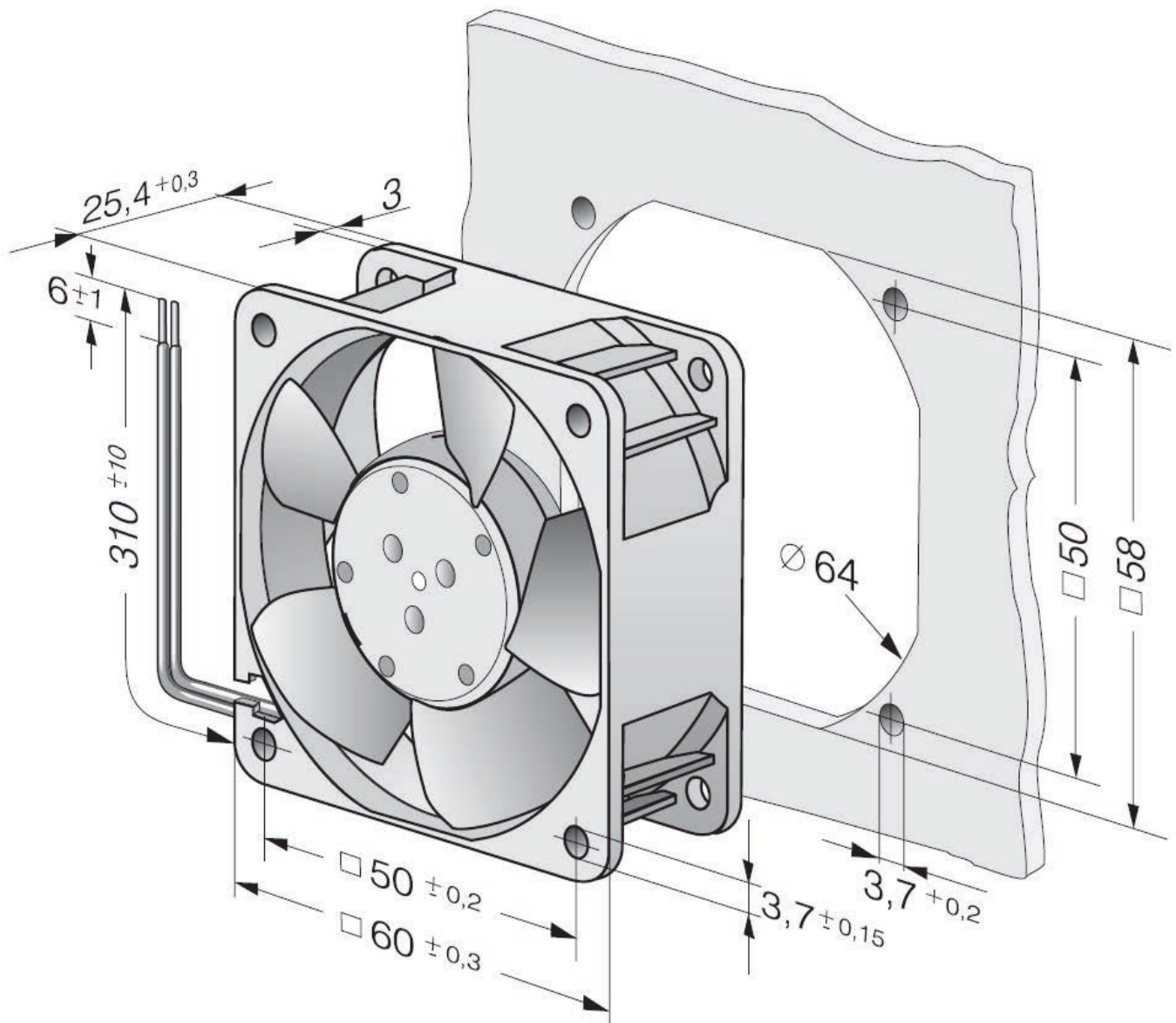
Nominal Data	Voltage	Max. Air flow	Speed	Power consumption	Bearing	Sound pressure level	Service life 40 C	Service life at T max.	Perm. ambient temp.	Weight
Partnumber	VDC	m3/h	rpm	W		dB(A)	Hrs	Hrs	C	kg
9292206172	12	25	3000	0,7	sleeve	19	80000	32500	-20..+80	0,066

<a href="#">Pricelist</a>	<a href="#">Guard grille 9920028001</a>
---------------------------	---

### Curves: Air performance



## Drawing



# 624 N - Size(mm): 60x60x25

DC compact fans

[Back to product overview:](#)



### Material/surface

- Impeller: Glass-fiber reinforced PA plastic
- Housing: Glass-fiber reinforced PBT plastic
- Number of blades: 5

### Technical description

- Direction of rotation: Clockwise, seen on rotor
- Airflow direction: Exhaust over struts
- Protection: IP20
- Bearings: Ball bearing
- Motor protection: Protection against reverse polarity and blocked rotor
- Cable: Leads AWG 22, TR 64, stripped and tin-plated

### Conformity with standards

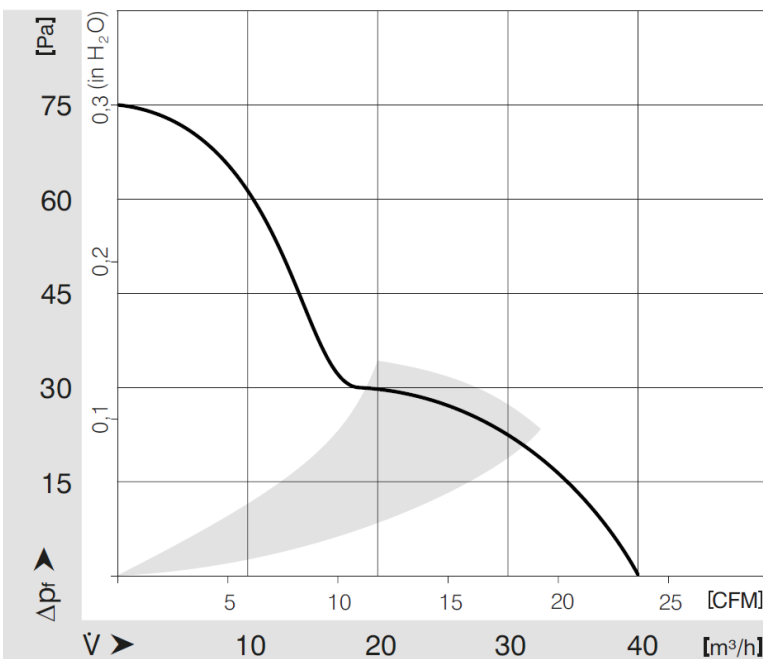
- Norm: IEC 60038

Go to	<a href="#">Pricelist</a>
Go to	<a href="#">Accessories</a>
Link to	<a href="#">ebm-papst operating instructions</a>
More at	<a href="http://www.ebmpapst.nl">www.ebmpapst.nl</a>

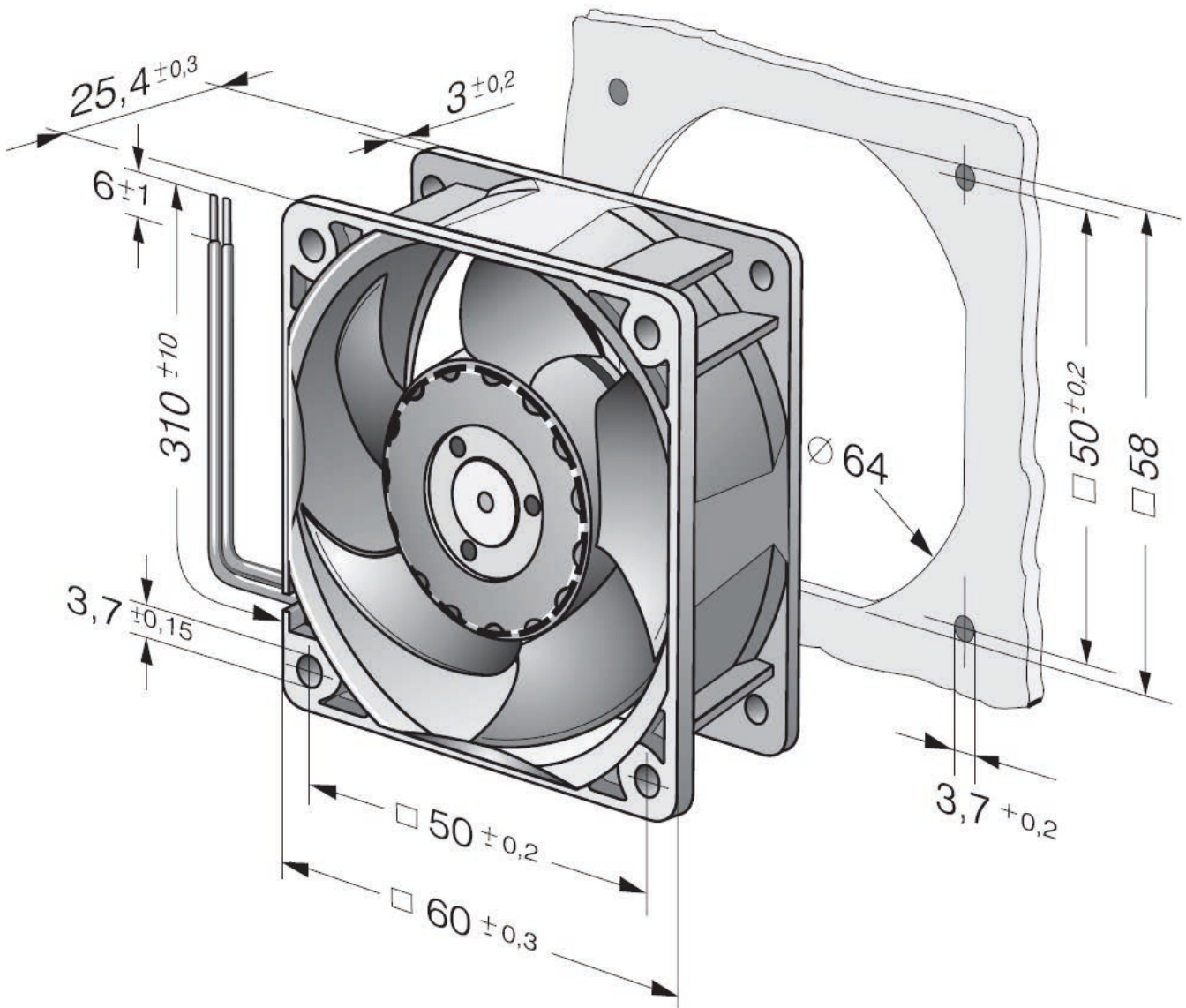
Nominal Data	Voltage	Max. Air flow	Speed	Power consumption	Bearing	Sound pressure level	Service life 40 C	Service life at T max.	Perm. ambient temp.	Weight
Partnumber	VDC	m3/h	rpm	W		dB(A)	Hrs	Hrs	C	kg
9292207008	24	40	6100	2,2	ball	35	72500	35000	-20..+70	0,085

<a href="#">Pricelist</a>	<a href="#">Guard grille 9920028001</a>
---------------------------	---

### Curves: Air performance

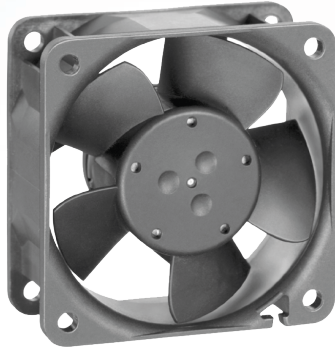


## Drawing



# 614 NH - Size(mm): 60x60x25

DC compact fans



[Back to product overview:](#)



### Material/surface

- Impeller: Glass-fiber reinforced PA plastic
- Housing: Glass-fiber reinforced PBT plastic
- Number of blades: 5

### Technical description

- Direction of rotation: Clockwise, seen on rotor
- Airflow direction: Exhaust over struts
- Protection: IP20
- Bearings: Ball bearing
- Motor protection: Protection against reverse polarity and blocked rotor
- Cable: Leads AWG 22, TR 64, stripped and tin-plated

### Conformity with standards

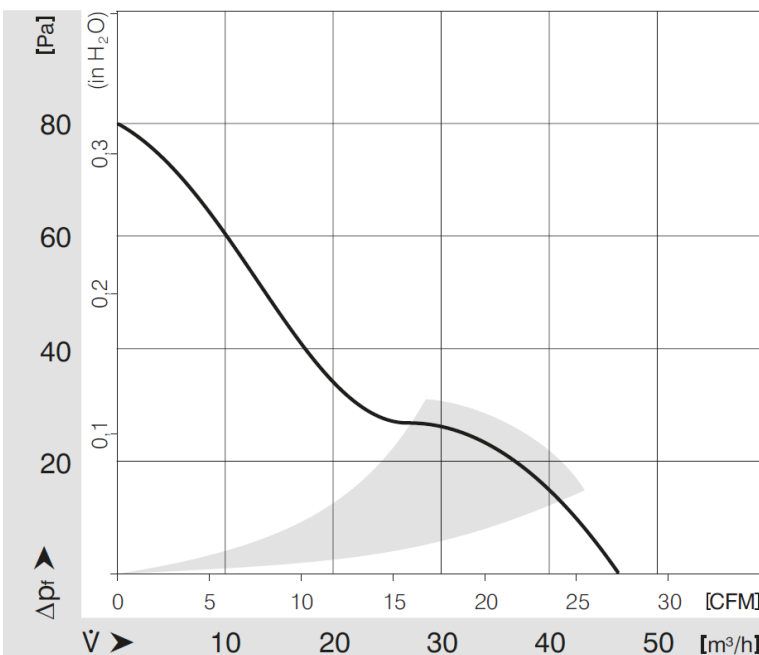
- Norm: IEC 60038

Go to	<a href="#">Pricelist</a>
Go to	<a href="#">Accessories</a>
Link to	<a href="#">ebm-papst operating instructions</a>
More at	<a href="#">www.ebmpapst.nl</a>

Nominal Data	Voltage	Max. Air flow	Speed	Power consumption	Bearing	Sound pressure level	Service life 40 C	Service life at T max.	Perm. ambient temp.	Weight
Partnumber	VDC	m3/h	rpm	W		dB(A)	Hrs	Hrs	C	kg
9272206072	24	43	5600	2,1	ball	37	70000	35000	-20..+70	0,066

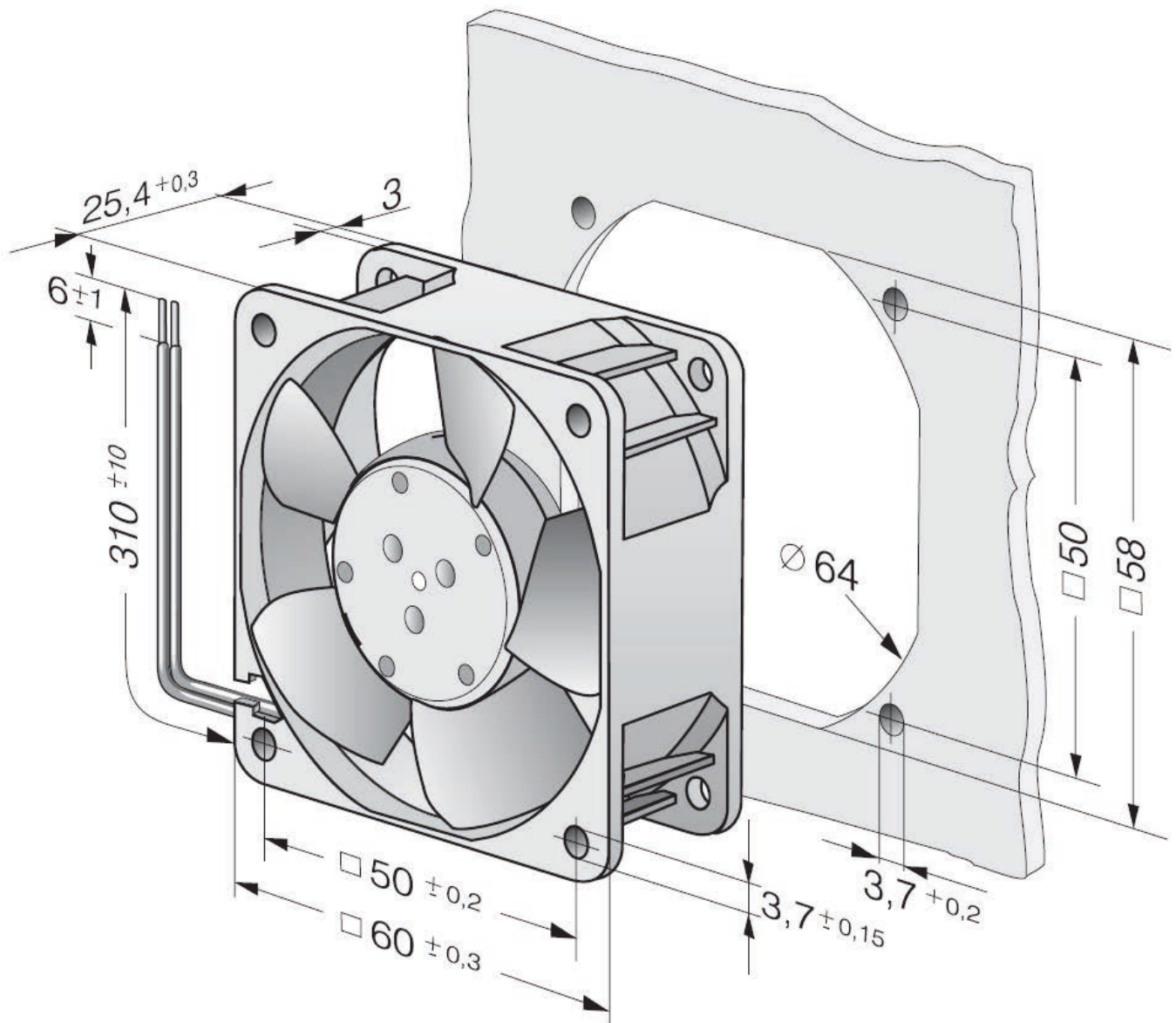
<a href="#">Pricelist</a>	<a href="#">Guard grille 9920028001</a>
---------------------------	---

### Curves: Air performance



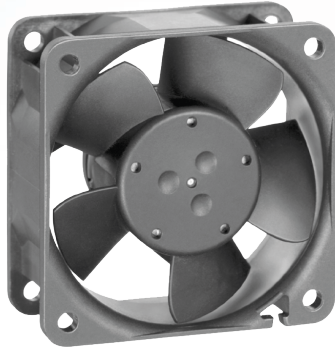


## Drawing



# 614 NHH - Size(mm): 60x60x25

DC compact fans



[Back to product overview:](#)



### Material/surface

- Impeller: Glass-fiber reinforced PA plastic
- Housing: Glass-fiber reinforced PBT plastic
- Number of blades: 5

### Technical description

- Direction of rotation: Clockwise, seen on rotor
- Airflow direction: Exhaust over struts
- Protection: IP20
- Bearings: Ball bearing
- Motor protection: Protection against reverse polarity and blocked rotor
- Cable: Leads AWG 22, TR 64, stripped and tin-plated

### Conformity with standards

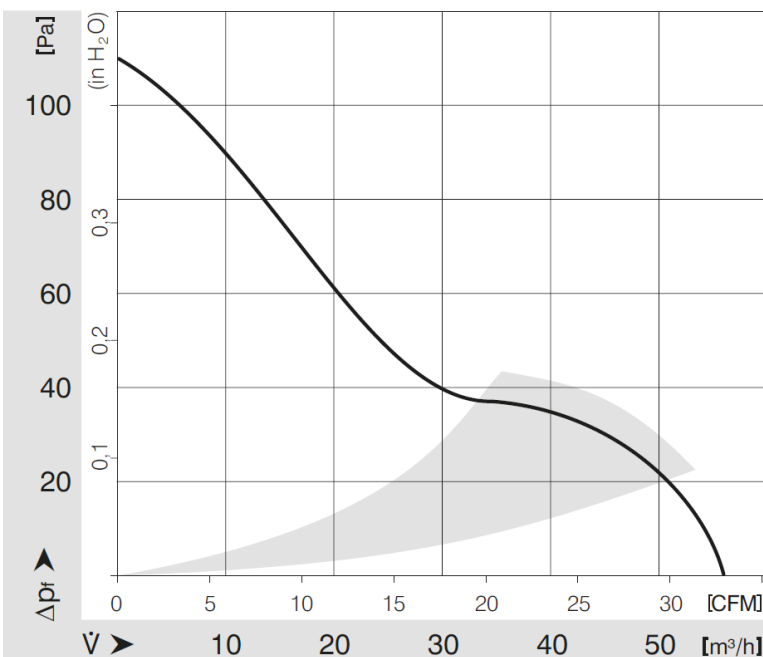
- Norm: IEC 60038

Go to	<a href="#">Pricelist</a>
Go to	<a href="#">Accessories</a>
Link to	<a href="#">ebm-papst operating instructions</a>
More at	<a href="http://www.ebmpapst.nl">www.ebmpapst.nl</a>

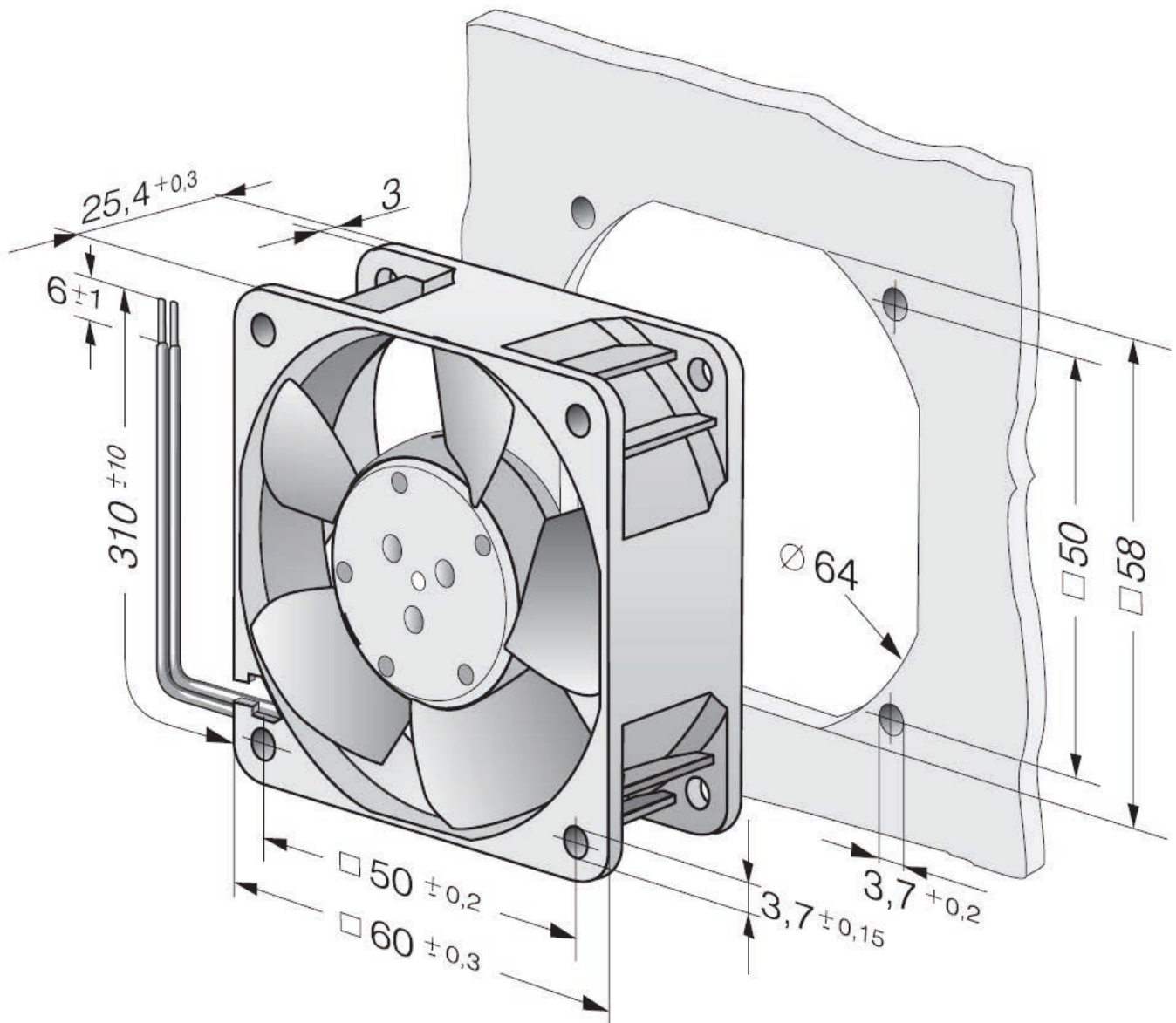
Nominal Data	Voltage	Max. Air flow	Speed	Power consumption	Bearing	Sound pressure level	Service life 40 C	Service life at T max.	Perm. ambient temp.	Weight
Partnumber	VDC	m3/h	rpm	W		dB(A)	Hrs	Hrs	C	kg
9292206033	24	56	6850	2,9	ball	41	60000	30000	-20..+70	0,066

<a href="#">Pricelist</a>	<a href="#">Guard grille 9920028001</a>
---------------------------	---

### Curves: Air performance



## Drawing



# 634 NU - Size(mm): 60x60x25

DC compact fans



[Back to product overview:](#)



## Material/surface

- Impeller: Glass-fiber reinforced PA plastic
- Housing: Glass-fiber reinforced PBT plastic
- Number of blades: 5

## Technical description

- Direction of rotation: Clockwise, seen on rotor
- Airflow direction: Exhaust over struts
- Protection: IP20 / IP54 / IP68
- Bearings: Ball bearing
- Motor protection: Protection against reverse polarity and blocked rotor
- Cable: Leads AWG 22, TR 64, stripped and tin-plated

## Conformity with standards

- Norm: IEC 60038

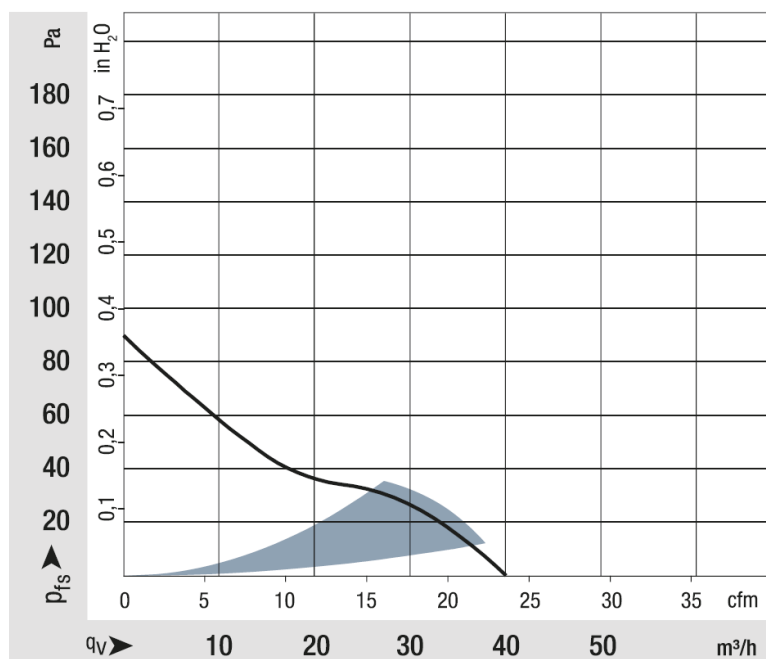
Go to	<a href="#">Pricelist</a>
Go to	<a href="#">Accessories</a>
Link to	<a href="#">ebm-papst operating instructions</a>
More at	<a href="http://www.ebmpapst.nl">www.ebmpapst.nl</a>

Nominal Data	Voltage	Max. Air flow	Speed	Power consumption	Bearing	Sound pressure level	Service life 40 C	Service life at T max.	Perm. ambient temp.	Weight
Partnumber	VDC	m3/h	rpm	W		dB(A)	Hrs	Hrs	C	kg
9292308004	24	40	5900	1,6	ball	34	85000	42500	-20..+70	0,07

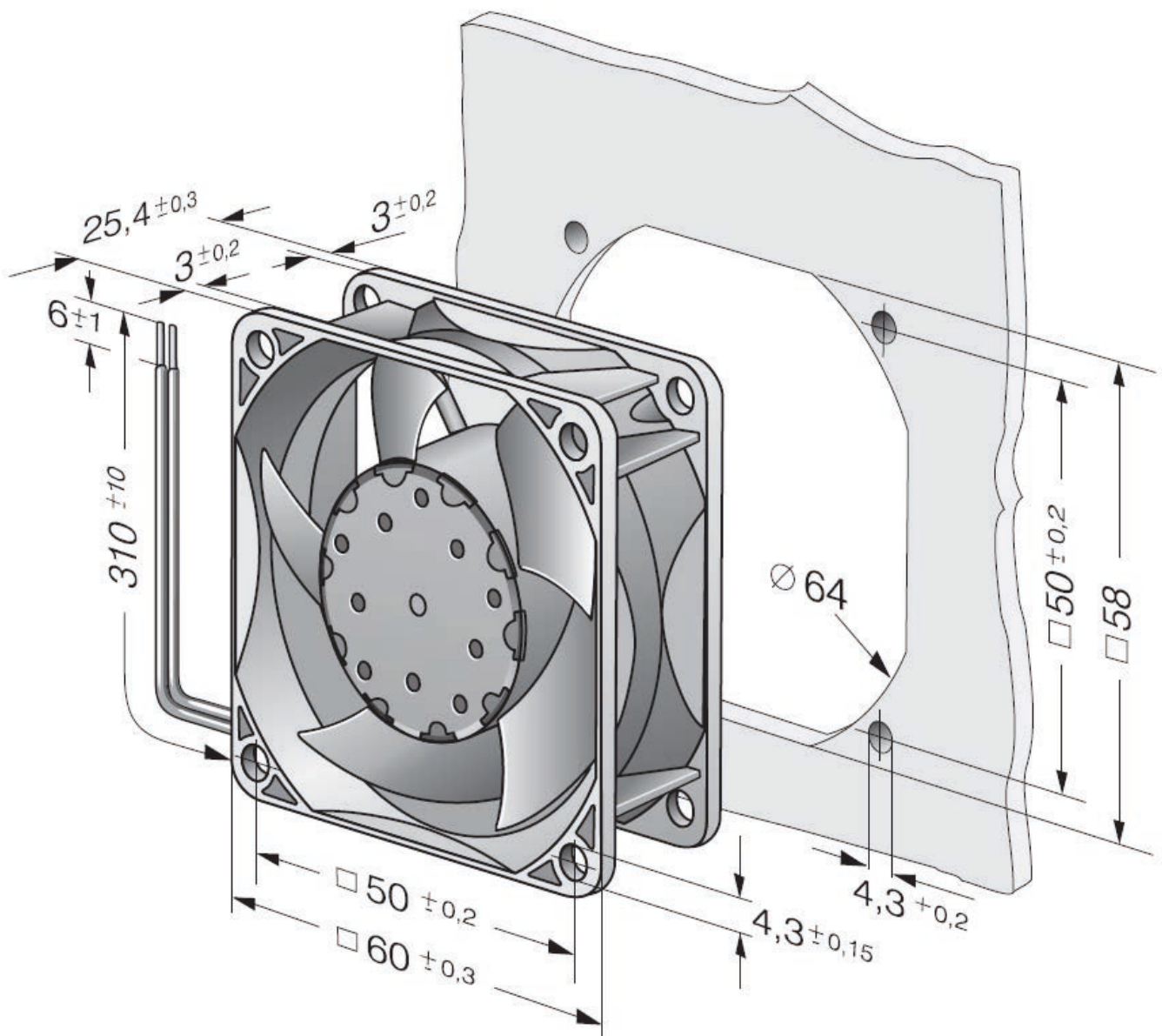
[Pricelist](#)

[Guard grille  
9920028001](#)

## Curves: Air performance



## Drawing



# 8412 N - Size(mm): 80x80x25

DC compact fans



[Back to product overview:](#)



#### Material/surface

- Impeller: Glass-fiber reinforced PA plastic
- Housing: Glass-fiber reinforced PBT plastic
- Number of blades: 7

#### Technical description

- Direction of rotation: Counterclockwise, seen on rotor
- Airflow direction: Exhaust over struts
- Protection: IP20
- Bearings: Ball bearing
- Motor protection: Protection against reverse polarity and blocked rotor
- Cable: Leads AWG 24, TR 64, stripped and tin-plated

#### Conformity with standards

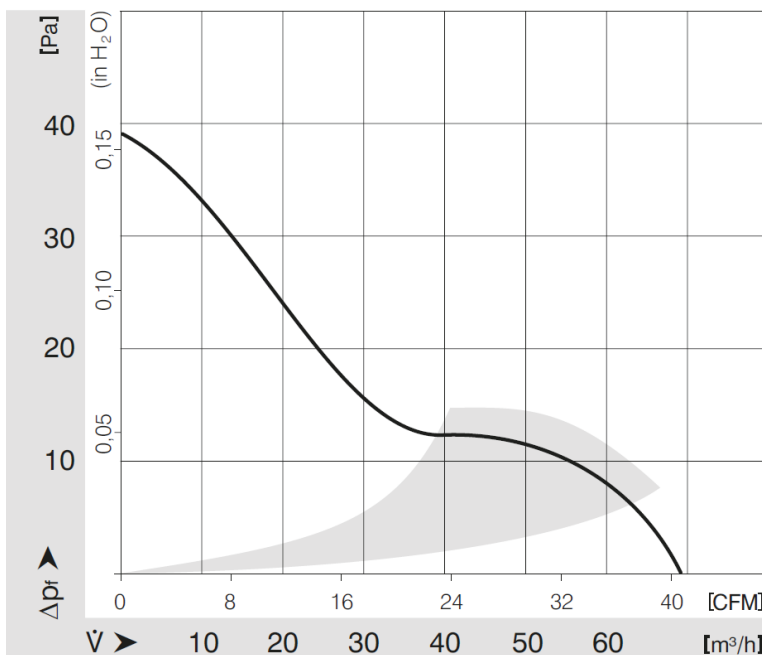
- Norm: IEC 60038

Go to	<a href="#">Pricelist</a>
Go to	<a href="#">Accessories</a>
Link to	<a href="#">ebm-papst operating instructions</a>
More at	<a href="http://www.ebmpapst.nl">www.ebmpapst.nl</a>

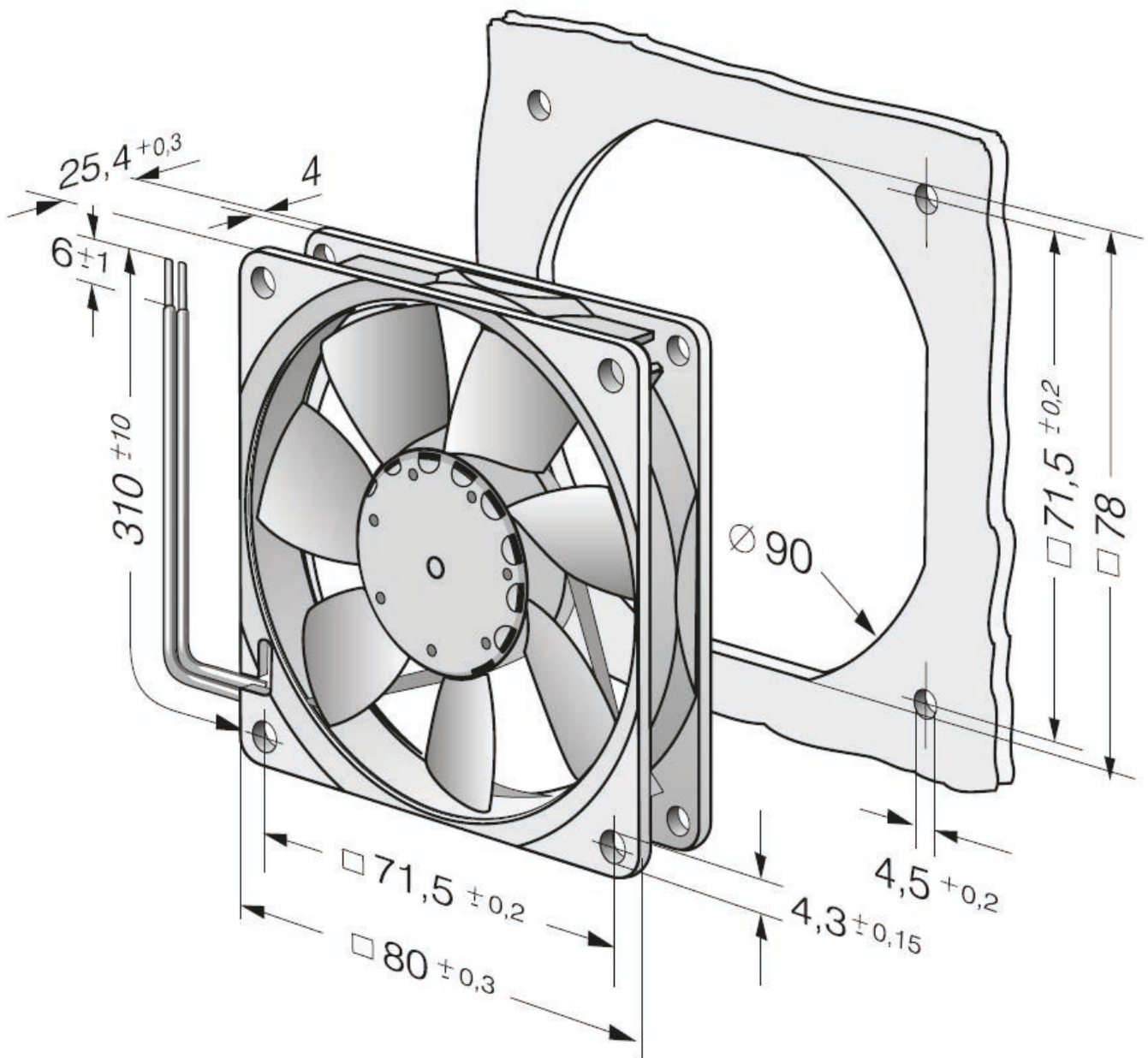
Nominal Data	Voltage	Max. Air flow	Speed	Power consumption	Bearing	Sound pressure level	Service life 40 C	Service life at T max.	Perm. ambient temp.	Weight
Partnumber	VDC	m3/h	rpm	W		dB(A)	Hrs	Hrs	C	kg
9292506125	12	69	3100	1,7	ball	32	70000	35000	-20..+70	0,095

<a href="#">Pricelist</a>	<a href="#">Guard grille 9920032004</a>
---------------------------	---

#### Curves: Air performance



## Drawing



# 8414 N - Size(mm): 80x80x25

DC compact fans

[Back to product overview:](#)



### Material/surface

- Impeller: Glass-fiber reinforced PA plastic
- Housing: Glass-fiber reinforced PBT plastic
- Number of blades: 7

### Technical description

- Direction of rotation: Counterclockwise, seen on rotor
- Airflow direction: Exhaust over struts
- Protection: IP20
- Bearings: Ball bearing
- Motor protection: Protection against reverse polarity and blocked rotor
- Cable: Leads AWG 24, TR 64, stripped and tin-plated

### Conformity with standards

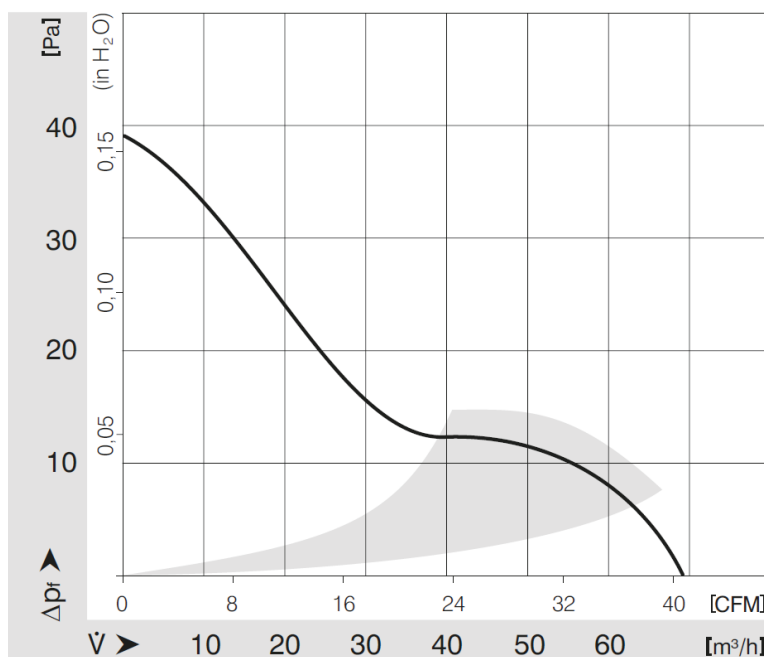
- Norm: IEC 60038

Go to	<a href="#">Pricelist</a>
Go to	<a href="#">Accessories</a>
Link to	<a href="#">ebm-papst operating instructions</a>
More at	<a href="#">www.ebmpapst.nl</a>

Nominal Data	Voltage	Max. Air flow	Speed	Power consumption	Bearing	Sound pressure level	Service life 40 C	Service life at T max.	Perm. ambient temp.	Weight
Partnumber	VDC	m3/h	rpm	W		dB(A)	Hrs	Hrs	C	kg
9292506126	24	69	3100	1,8	ball	32	70000	35000	-20..+70	0,095

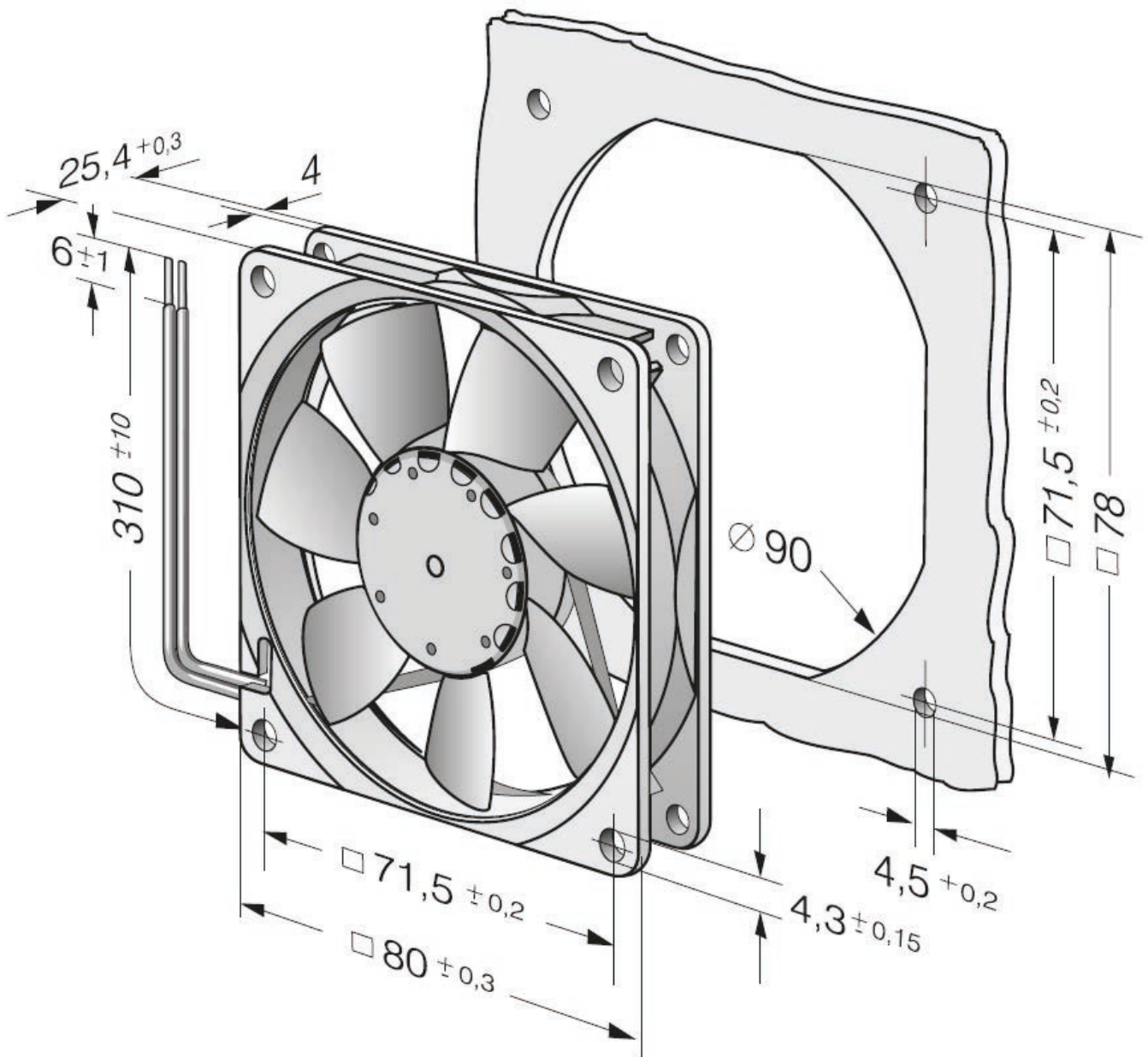
<a href="#">Pricelist</a>	<a href="#">Guard grille 9920032004</a>
---------------------------	---

### Curves: Air performance





## Drawing



# 8414 NH - Size(mm): 80x80x25

DC compact fans

[Back to product overview:](#)



## Material/surface

- Impeller: Glass-fiber reinforced PA plastic
- Housing: Glass-fiber reinforced PBT plastic
- Number of blades: 7

## Technical description

- Direction of rotation: Counterclockwise, seen on rotor
- Airflow direction: Exhaust over struts
- Protection: IP20
- Bearings: Ball bearing
- Motor protection: Protection against reverse polarity and blocked rotor
- Cable: Leads AWG 24, TR 64, stripped and tin-plated

## Conformity with standards

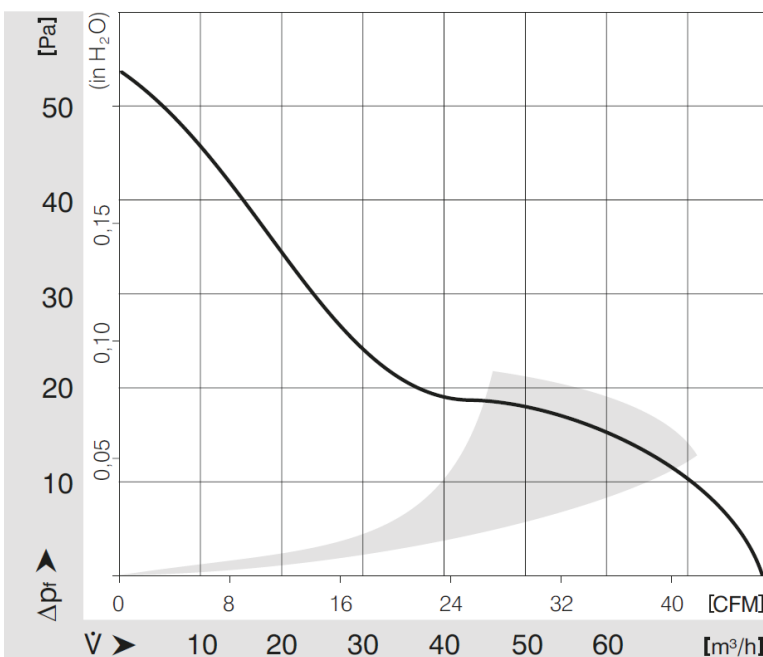
- Norm: IEC 60038

Go to	<a href="#">Pricelist</a>
Go to	<a href="#">Accessories</a>
Link to	<a href="#">ebm-papst operating instructions</a>
More at	<a href="http://www.ebmpapst.nl">www.ebmpapst.nl</a>

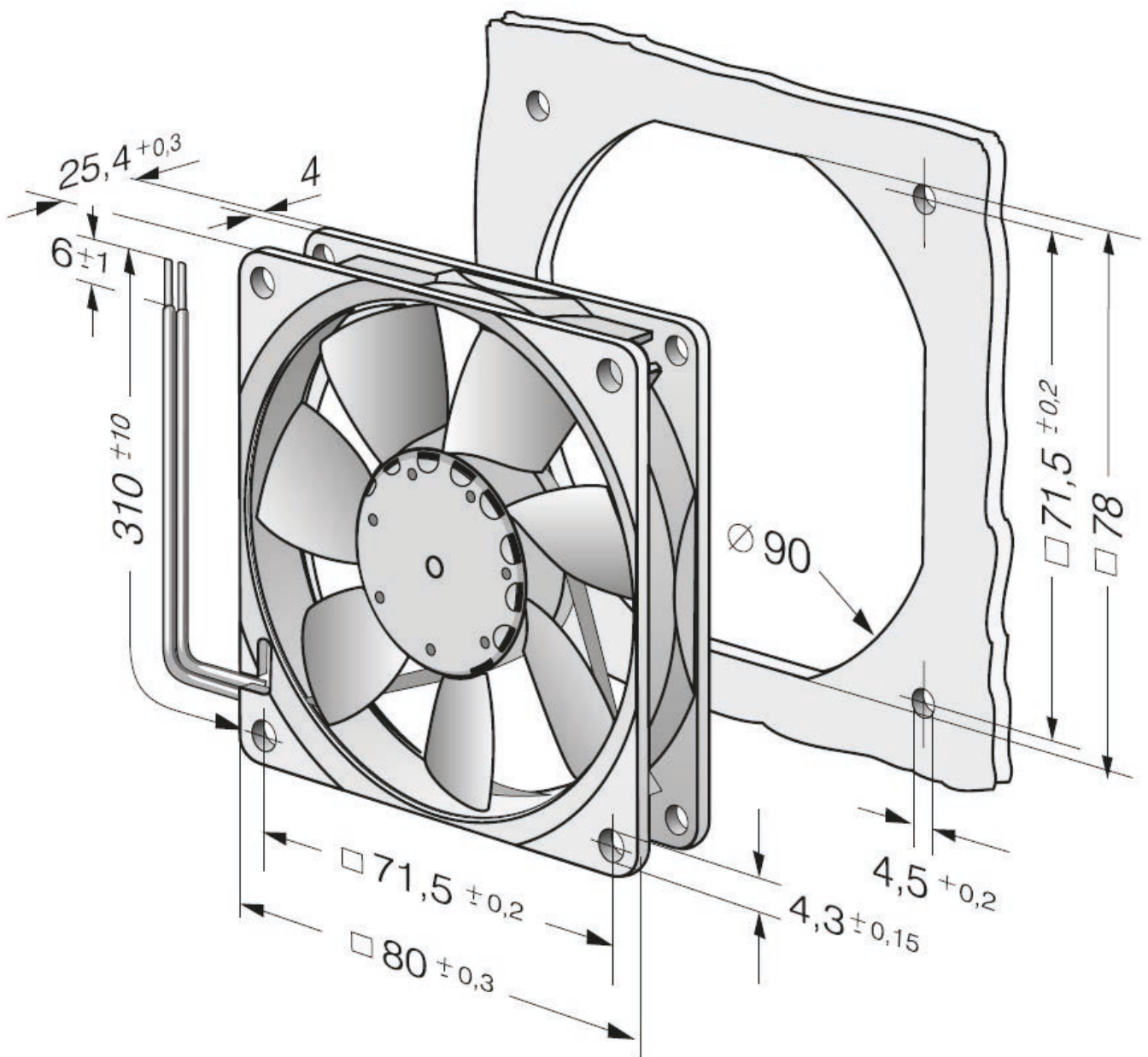
Nominal Data	Voltage	Max. Air flow	Speed	Power consumption	Bearing	Sound pressure level	Service life 40 C	Service life at T max.	Perm. ambient temp.	Weight
Partnumber	VDC	m3/h	rpm	W		dB(A)	Hrs	Hrs	C	kg
9292506124	24	79	3600	2,4	ball	37	70000	35000	-20..+70	0,095

<a href="#">Pricelist</a>	<a href="#">Guard grille 9920032004</a>
---------------------------	---

## Curves: Air performance



## Drawing



# 8414 NMU - Size(mm): 80x80x25

DC compact fans



[Back to product overview:](#)



## Material/surface

- Impeller: Glass-fiber reinforced PA plastic
- Housing: Glass-fiber reinforced PBT plastic
- Number of blades: 7

## Technical description

- Direction of rotation: Counterclockwise, seen on rotor
- Airflow direction: Exhaust over struts
- Protection: IP68
- Bearings: Ball bearing
- Motor protection: Protection against reverse polarity and blocked rotor
- Cable: Leads AWG 24, TR 64, stripped and tin-plated

## Conformity with standards

- Norm: IEC 60038

Go to	<a href="#">Pricelist</a>
Go to	<a href="#">Accessories</a>
Link to	<a href="#">ebm-papst operating instructions</a>
More at	<a href="http://www.ebmpapst.nl">www.ebmpapst.nl</a>

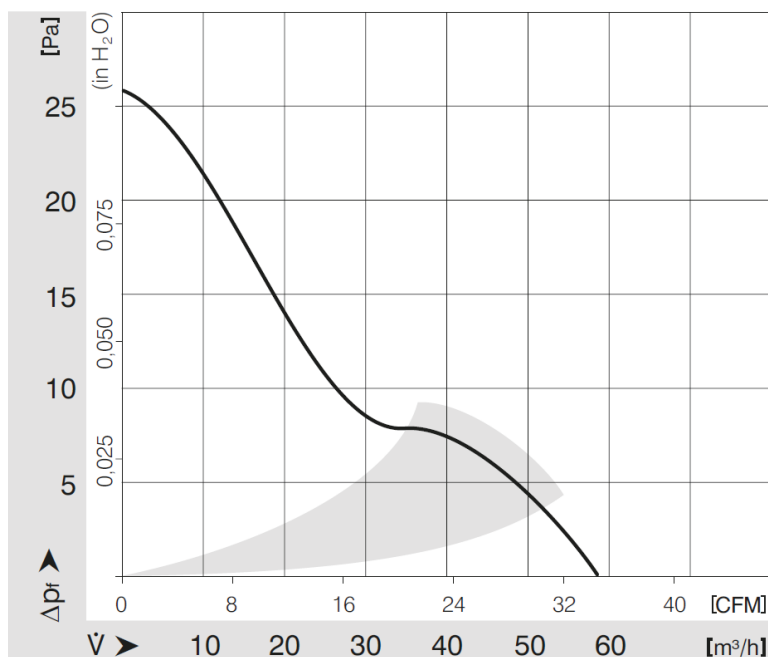
Nominal Data	Voltage	Max. Air flow	Speed	Power consumption	Bearing	Sound pressure level	Service life 40 C	Service life at T max.	Perm. ambient temp.	Weight
Partnumber	VDC	m3/h	rpm	W		dB(A)	Hrs	Hrs	C	kg
9292506475	24	58	2600	1,4	ball	26	80000	40000	-20..+70	0,095

[Pricelist](#)

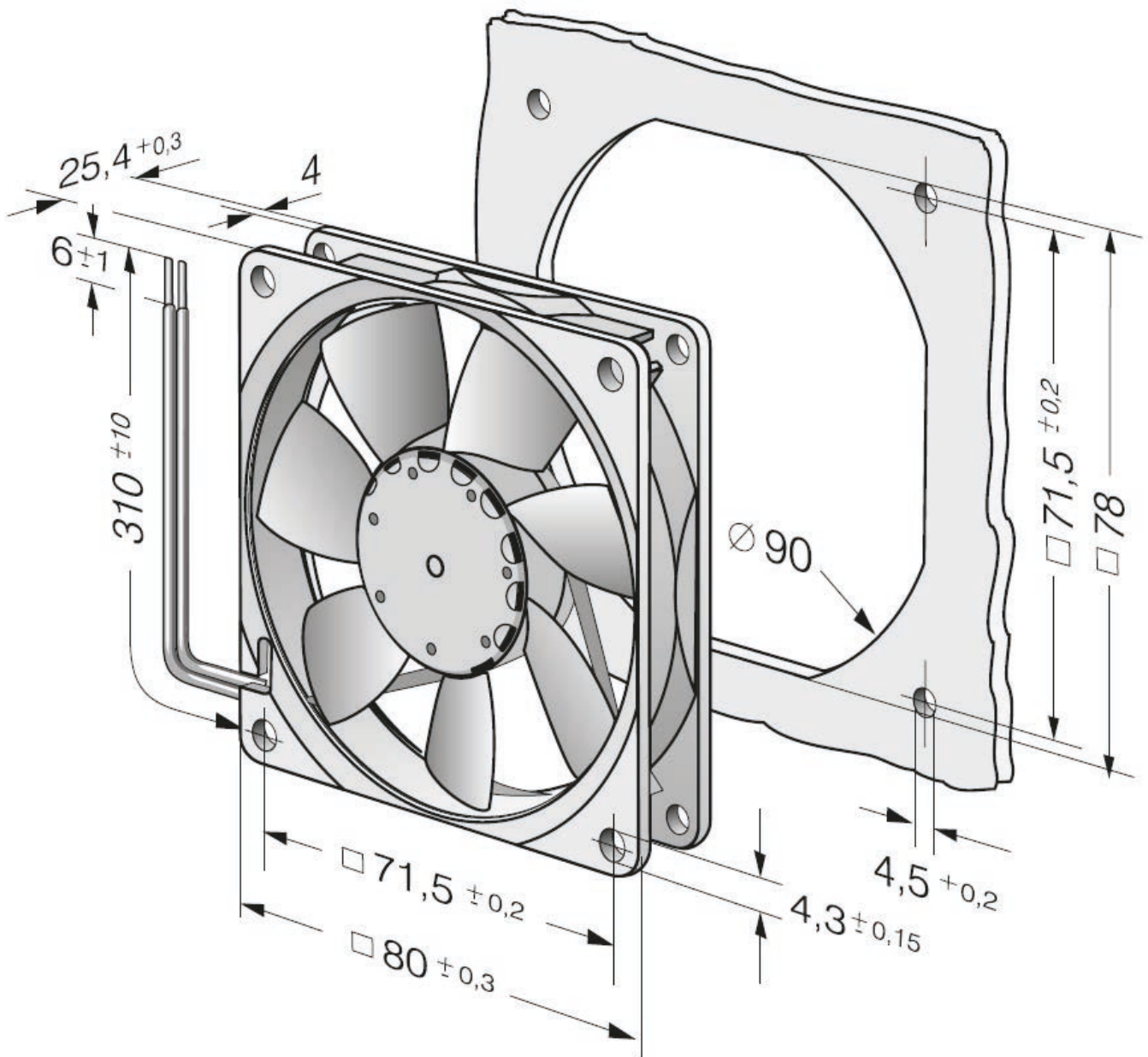
**Guard grille**

[9920032004](#)

## Curves: Air performance



## Drawing



# 8414 NGH - Size(mm): 80x80x25

DC compact fans



[Back to product overview:](#)



### Material/surface

- Impeller: Glass-fiber reinforced PA plastic
- Housing: Glass-fiber reinforced PBT plastic
- Number of blades: 7

### Technical description

- Direction of rotation: Counterclockwise, seen on rotor
- Airflow direction: Exhaust over struts
- Protection: IP20
- Bearings: Sintec sleeve bearing
- Motor protection: Protection against reverse polarity and blocked rotor
- Cable: Leads AWG 24, TR 64, stripped and tin-plated

### Conformity with standards

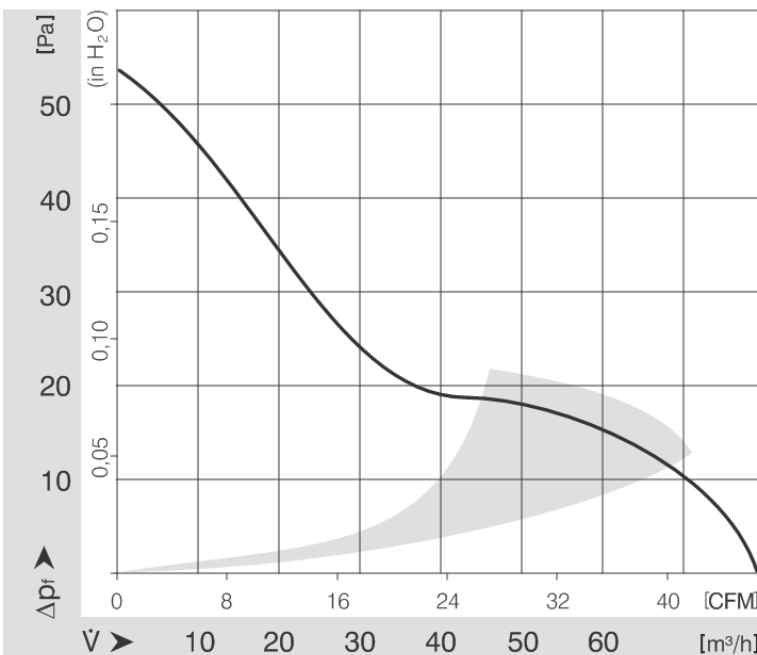
- Norm: IEC 60038

Go to	<a href="#">Pricelist</a>
Go to	<a href="#">Accessories</a>
Link to	<a href="#">ebm-papst operating instructions</a>
More at	<a href="#">www.ebmpapst.nl</a>

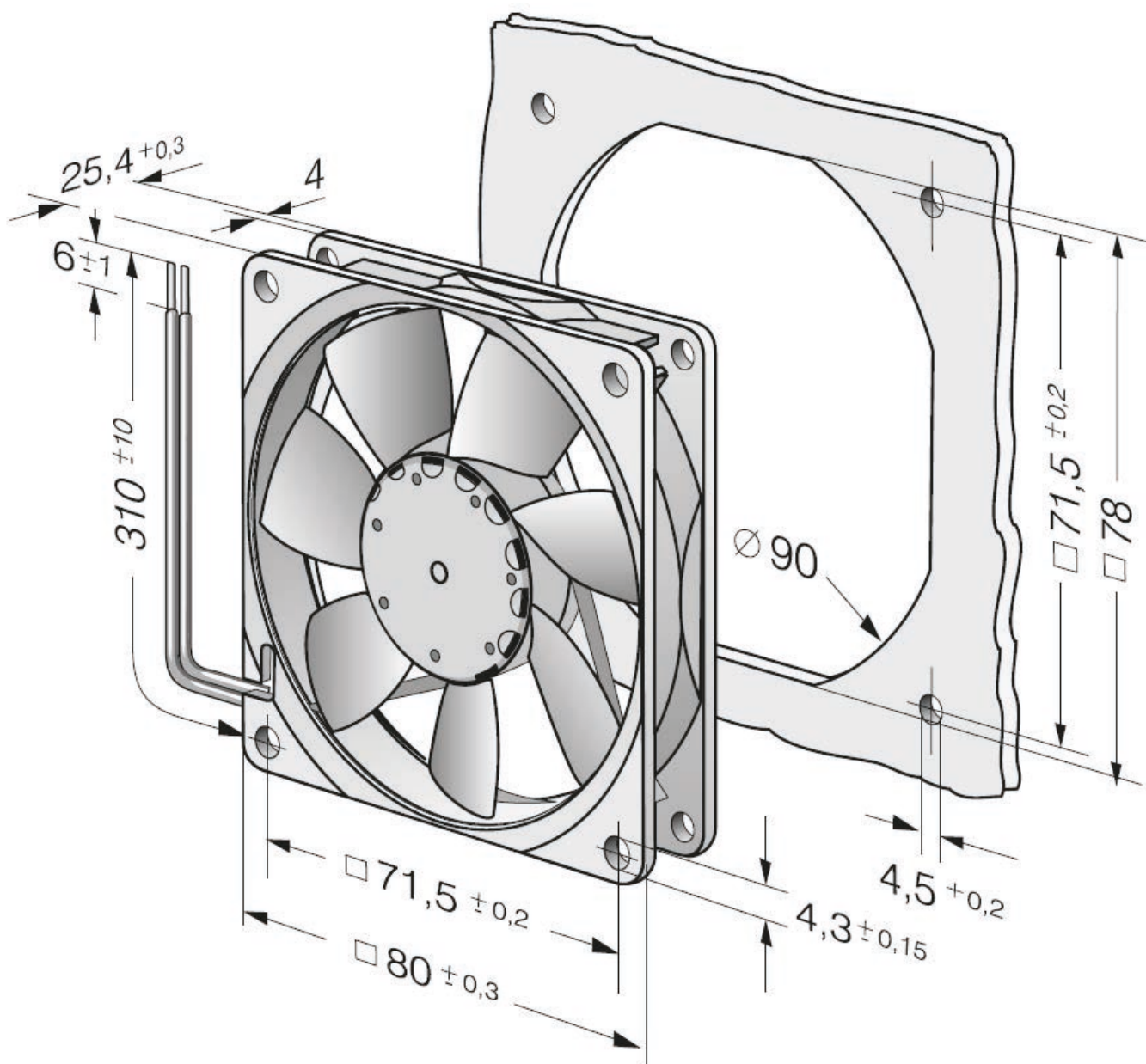
Nominal Data	Voltage	Max. Air flow	Speed	Power consumption	Bearing	Sound pressure level	Service life 40 C	Service life at T max.	Perm. ambient temp.	Weight
Partnumber	VDC	m3/h	rpm	W		dB(A)	Hrs	Hrs	C	kg
9292506110	24	79	3600	2,8	sleeve	37	70000	35000	-20..+70	0,095

<a href="#">Pricelist</a>	<a href="#">Guard grille 9920032004</a>
---------------------------	---

### Curves: Air performance



## Drawing



# 8314 - Size(mm): 80x80x32

DC compact fans



[Back to product overview:](#)



### Material/surface

- Impeller: Glass-fiber reinforced PA plastic
- Housing: Glass-fiber reinforced PBT plastic
- Number of blades: 5

### Technical description

- Direction of rotation: Clockwise, seen on rotor
- Airflow direction: Exhaust over struts
- Protection: IP20
- Bearings: Ball bearing
- Motor protection: Protection against reverse polarity and blocked rotor
- Cable: Leads AWG 22, TR 64, stripped and tin-plated

### Conformity with standards

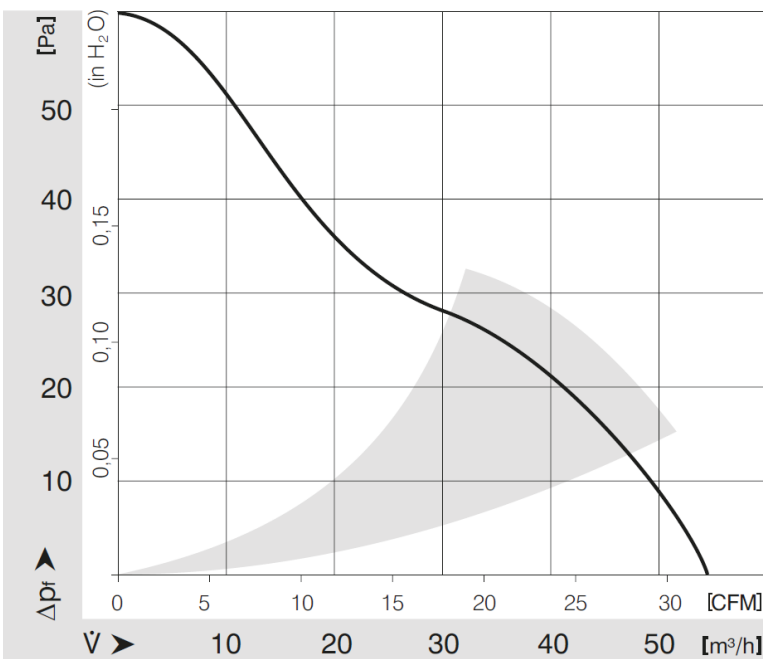
- Norm: IEC 60038

Go to	<a href="#">Pricelist</a>
Go to	<a href="#">Accessories</a>
Link to	<a href="#">ebm-papst operating instructions</a>
More at	<a href="http://www.ebmpapst.nl">www.ebmpapst.nl</a>

Nominal Data	Voltage	Max. Air flow	Speed	Power consumption	Bearing	Sound pressure level	Service life 40 C	Service life at T max.	Perm. ambient temp.	Weight
Partnumber	VDC	m3/h	rpm	W		dB(A)	Hrs	Hrs	C	kg
9294303004	24	54	3300	2,7	ball	36	70000	27500	-20..+75	0,17

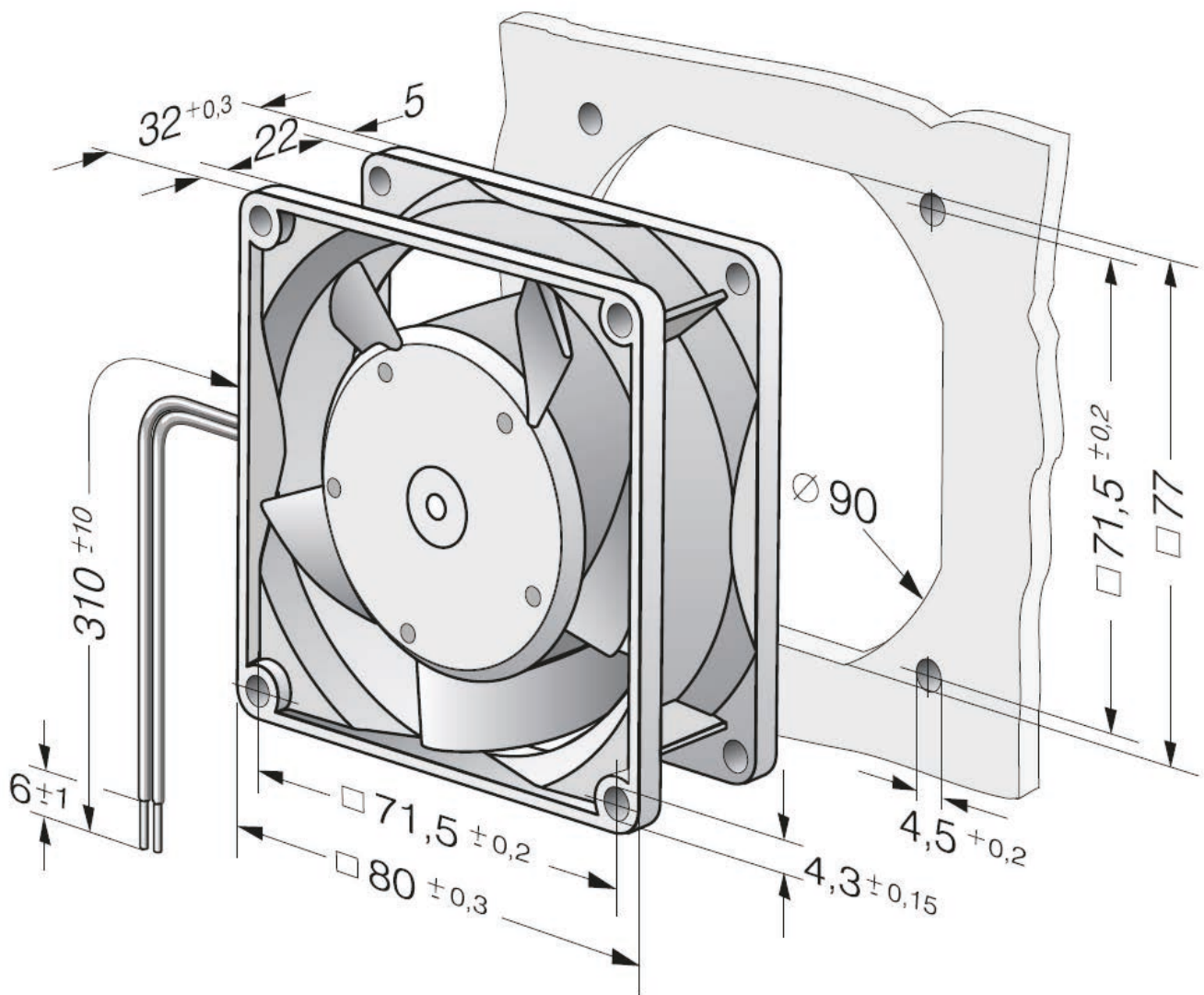
<a href="#">Pricelist</a>	<a href="#">Guard grille 9920032004</a>
---------------------------	---

### Curves: Air performance





## Drawing



# 3412 N - Size(mm): 92x92x25

DC compact fans



[Back to product overview:](#)



## Material/surface

- Impeller: Glass-fiber reinforced PA plastic
- Housing: Glass-fiber reinforced PBT plastic
- Number of blades: 7

## Technical description

- Direction of rotation: Counterclockwise, seen on rotor
- Airflow direction: Exhaust over struts
- Protection: IP20
- Bearings: Ball bearing
- Motor protection: Protection against reverse polarity and blocked rotor
- Cable: Leads AWG 24, TR 64, stripped and tin-plated

## Conformity with standards

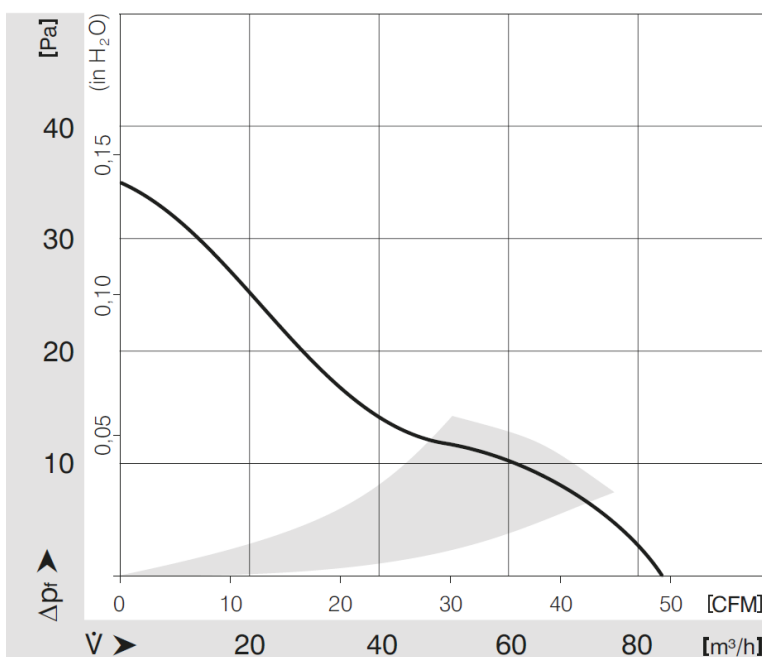
- Norm: IEC 60038

Go to	<a href="#">Pricelist</a>
Go to	<a href="#">Accessories</a>
Link to	<a href="#">ebm-papst operating instructions</a>
More at	<a href="http://www.ebmpapst.nl">www.ebmpapst.nl</a>

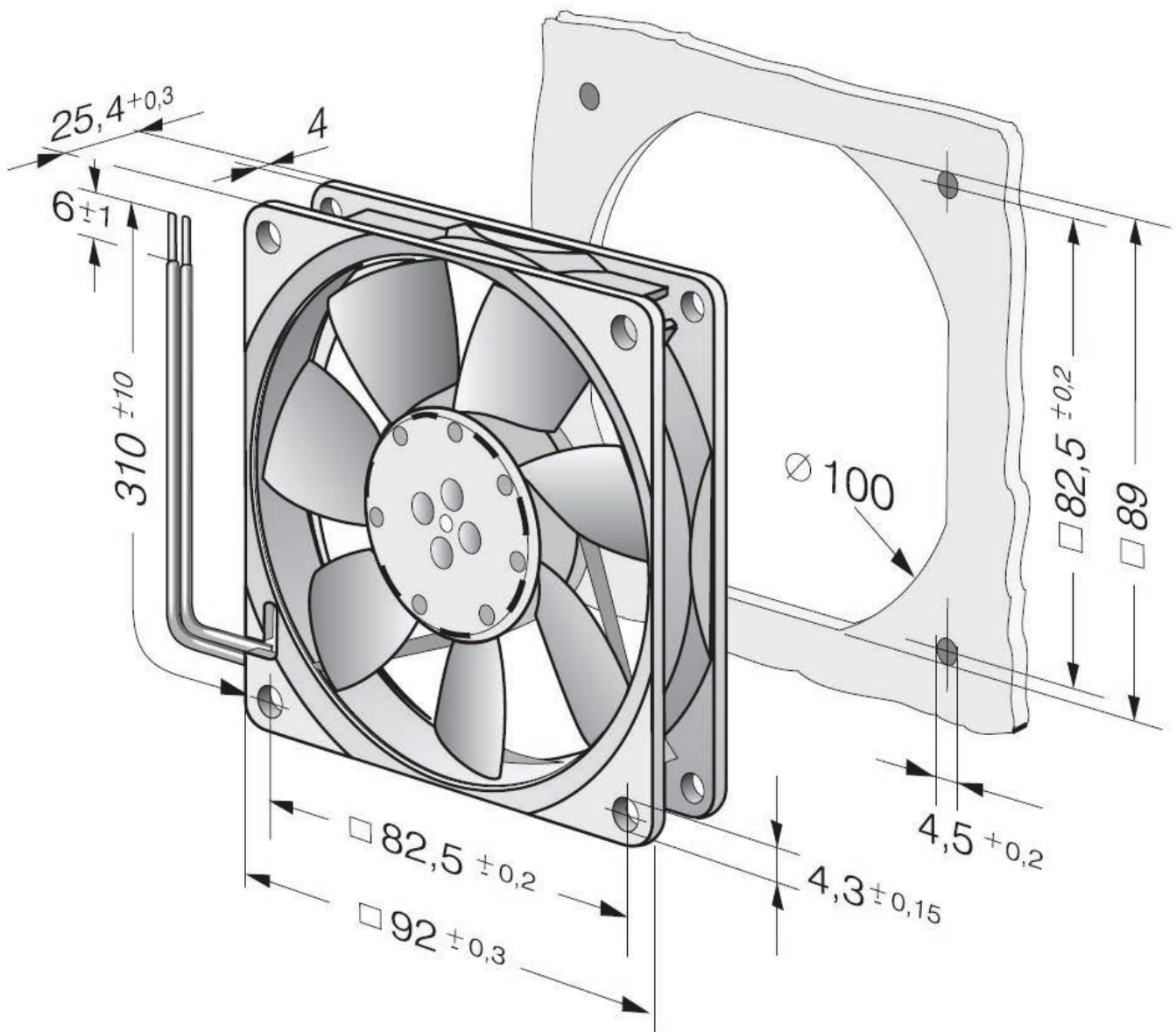
Nominal Data	Voltage	Max. Air flow	Speed	Power consumption	Bearing	Sound pressure level	Service life 40 C	Service life at T max.	Perm. ambient temp.	Weight
Partnumber	VDC	m3/h	rpm	W		dB(A)	Hrs	Hrs	C	kg
9292506324	12	84	2700	1,7	ball	32	70000	35000	-20..+70	0,1

<a href="#">Pricelist</a>	<a href="#">Guard grille 9920023001</a>
---------------------------	---

## Curves: Air performance



## Drawing



# 3414 NHH - Size(mm): 92x92x25

DC compact fans



[Back to product overview:](#)



## Material/surface

- Impeller: Glass-fiber reinforced PA plastic
- Housing: Glass-fiber reinforced PBT plastic
- Number of blades: 7

## Technical description

- Direction of rotation: Counterclockwise, seen on rotor
- Airflow direction: Exhaust over struts
- Protection: IP20
- Bearings: Ball bearing
- Motor protection: Protection against reverse polarity and blocked rotor
- Cable: Leads AWG 24, TR 64, stripped and tin-plated

## Conformity with standards

- Norm: IEC 60038

Go to	<a href="#">Pricelist</a>
Go to	<a href="#">Accessories</a>
Link to	<a href="#">ebm-papst operating instructions</a>
More at	<a href="http://www.ebmpapst.nl">www.ebmpapst.nl</a>

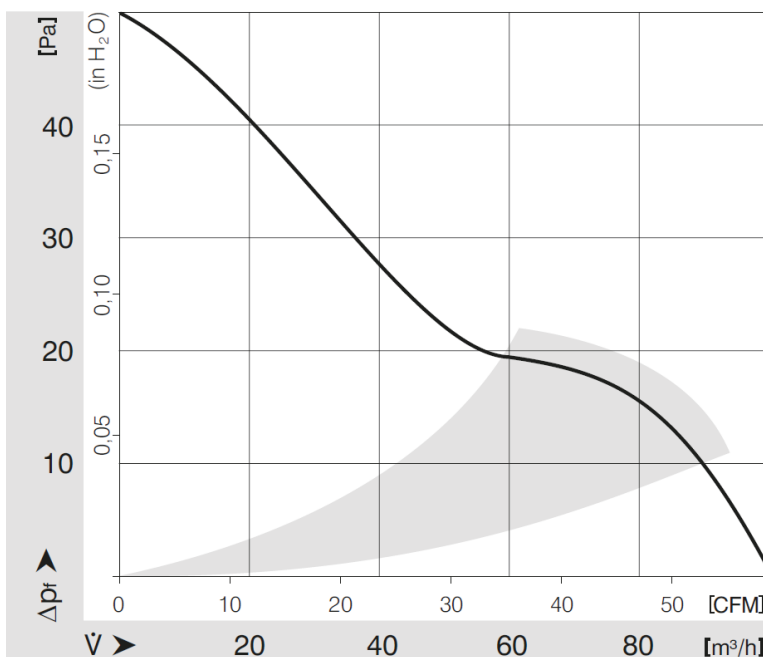
Nominal Data	Voltage	Max. Air flow	Speed	Power consumption	Bearing	Sound pressure level	Service life 40 C	Service life at T max.	Perm. ambient temp.	Weight
Partnumber	VDC	m3/h	rpm	W		dB(A)	Hrs	Hrs	C	kg
9292506320	24	102	3250	3,1	ball	39	70000	35000	-20..+70	0,1

Guard grille

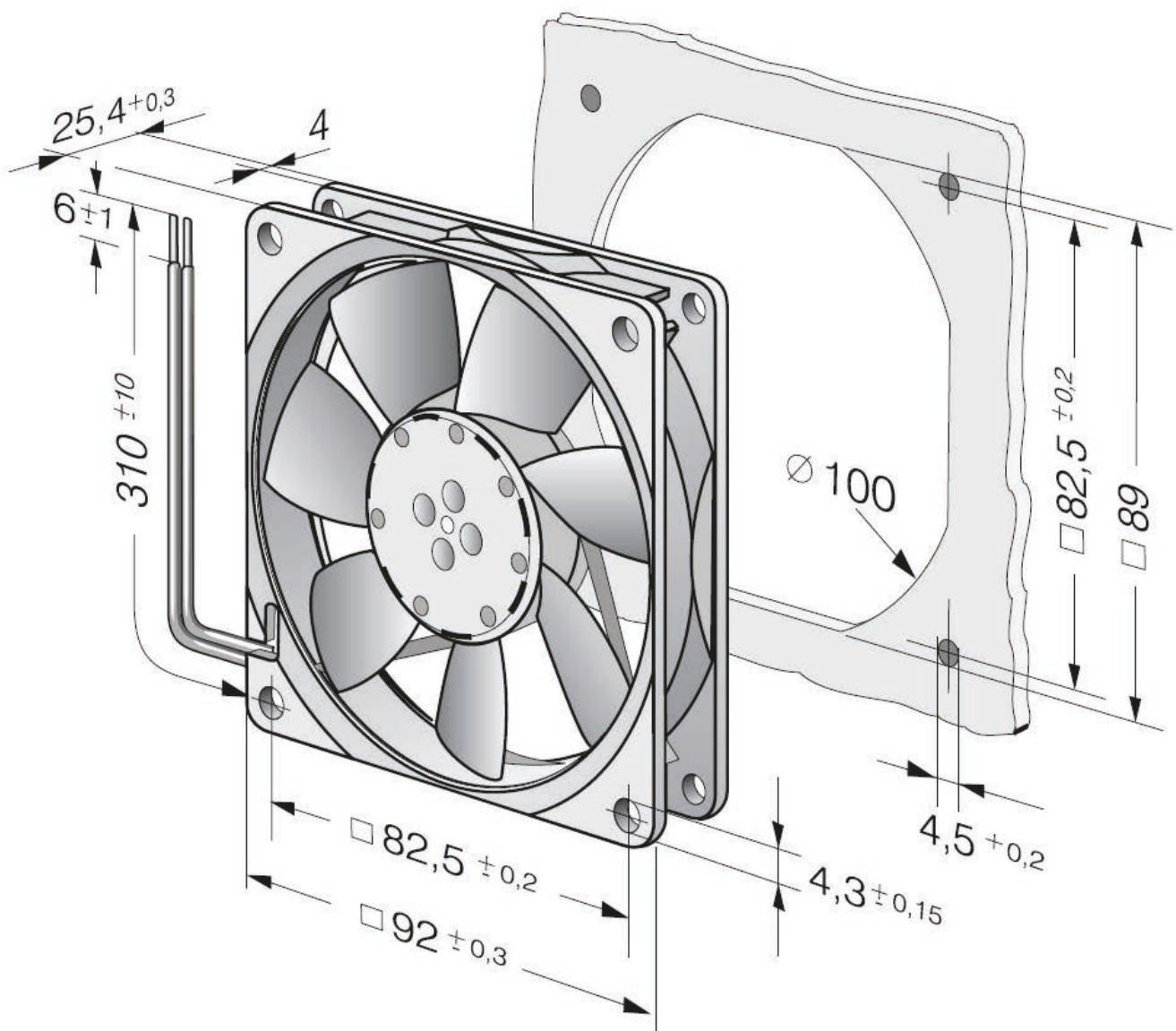
[9920023001](#)

[Pricelist](#)

## Curves: Air performance



## Drawing



# 3314 NHHU - Size(mm): 92x92x32

DC compact fans



[Back to product overview:](#)



#### Material/surface

- Impeller: Glass-fiber reinforced PA plastic
- Housing: Glass-fiber reinforced PBT plastic
- Number of blades: 5

#### Technical description

- Direction of rotation: Clockwise, seen on rotor
- Airflow direction: Exhaust over struts
- Protection: IP68
- Bearings: Ball bearing
- Motor protection: Protection against reverse polarity and blocked rotor
- Cable: Leads AWG 24, TR 64, stripped and tin-plated

#### Conformity with standards

- Norm: IEC 60038

[Go to Pricelist](#)

[Go to Accessories](#)

[Link to ebm-papst operating instructions](#)

[More at www.ebmpapst.nl](#)

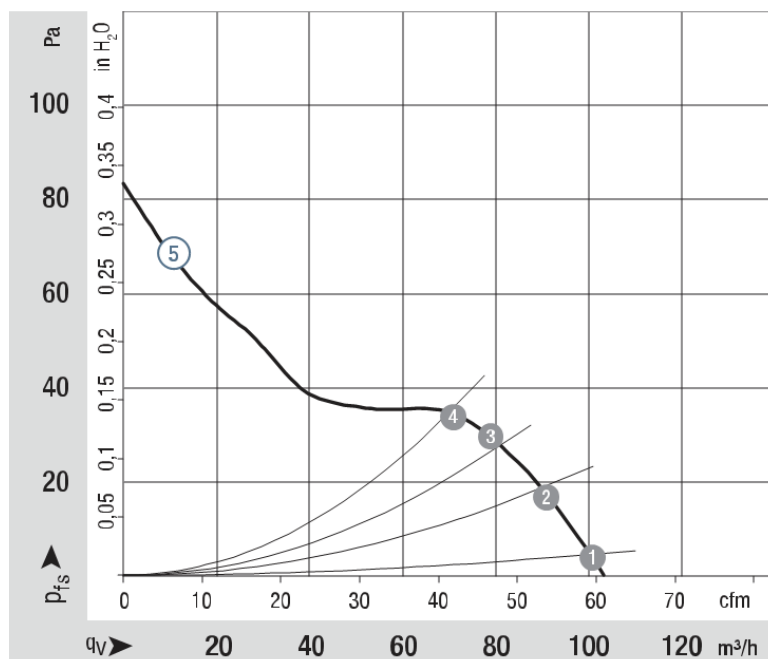
Nominal Data	Voltage	Max. Air flow	Speed	Power consumption	Bearing	Sound pressure level	Service life 40 C	Service life at T max.	Perm. ambient temp.	Weight
Partnumber	VDC	m3/h	rpm	W		dB(A)	Hrs	Hrs	C	kg
9293510112	24	104	3450	3,3	ball	42	57500	25000	-20..+75	0,22

[Pricelist](#)

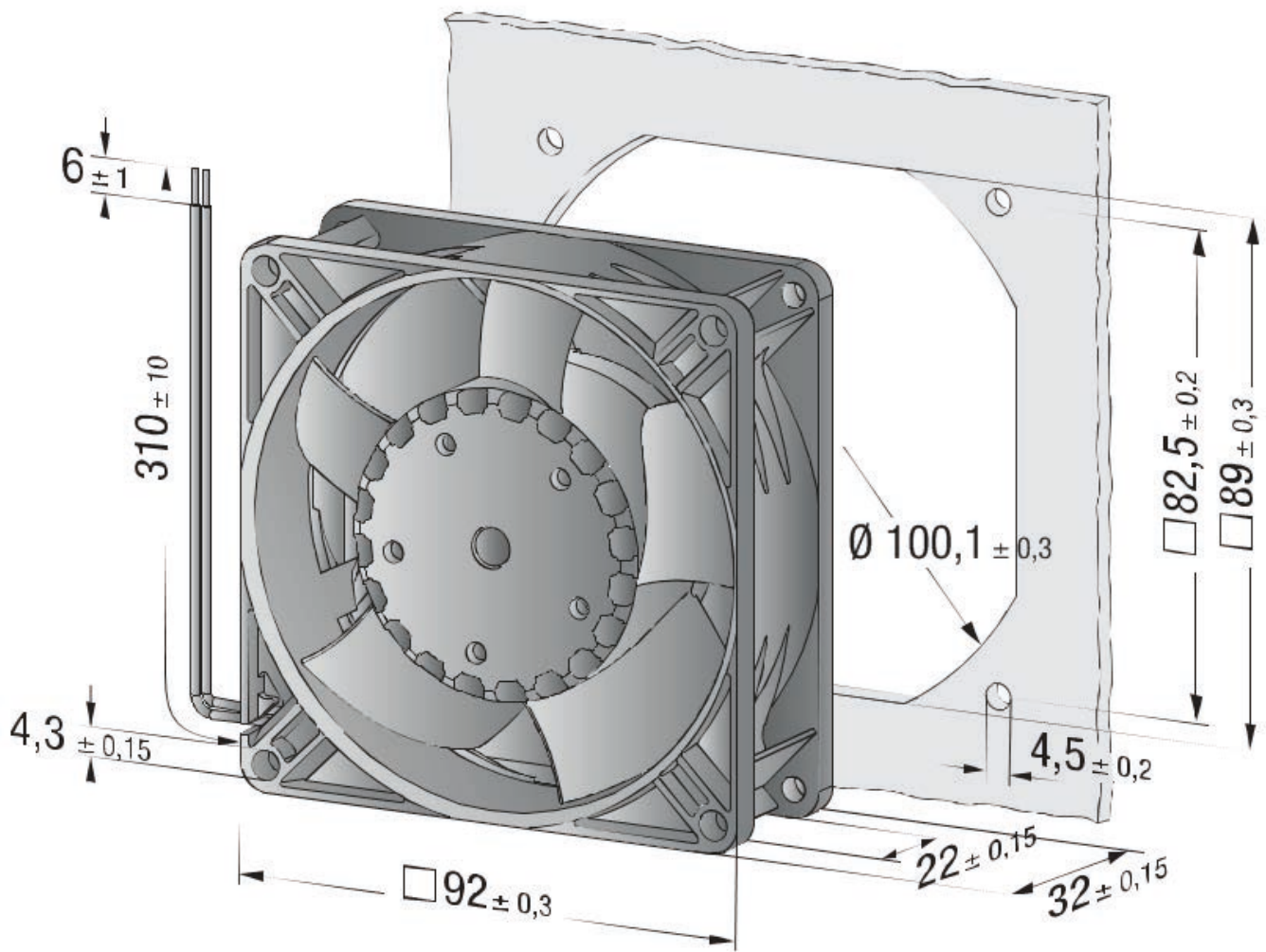
[Guard grille](#)

[9920023001](#)

#### Curves: Air performance



## Drawing



# 4412 FGML - Size(mm): 119x119x25

DC compact fans



[Back to product overview:](#)



## Material/surface

- Impeller: Glass-fiber reinforced PA plastic
- Housing: Glass-fiber reinforced PBT plastic
- Number of blades: 7

## Technical description

- Direction of rotation: Counterclockwise, seen on rotor
- Airflow direction: Exhaust over struts
- Protection: IP20
- Bearings: Sintec sleeve bearing
- Motor protection: Protection against reverse polarity and blocked rotor
- Cable: Leads AWG 24, TR 64, stripped and tin-plated

## Conformity with standards

- Norm: IEC 60038

Go to	<a href="#">Pricelist</a>
Go to	<a href="#">Accessories</a>
Link to	<a href="#">ebm-papst operating instructions</a>
More at	<a href="http://www.ebmpapst.nl">www.ebmpapst.nl</a>

Nominal Data	Voltage	Max. Air flow	Speed	Power consumption	Bearing	Sound pressure level	Service life 40 C	Service life at T max.	Perm. ambient temp.	Weight
Partnumber	VDC	m3/h	rpm	W		dB(A)	Hrs	Hrs	C	kg
9293505434	12	114	1950	2	sleeve	32	75000	30000	-20..+75	0,17

[Pricelist](#)

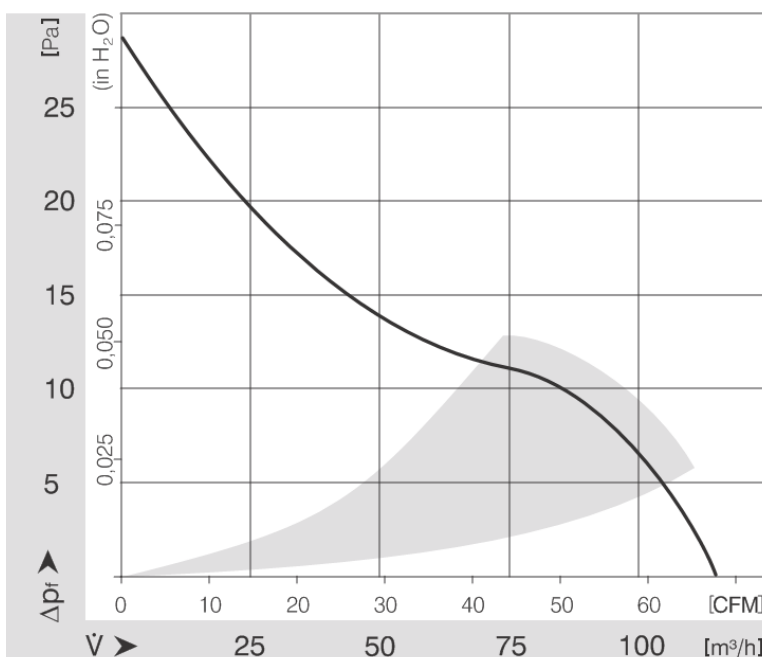
Fan filter

[9920060000 / 9920340004](#)

Guard grille

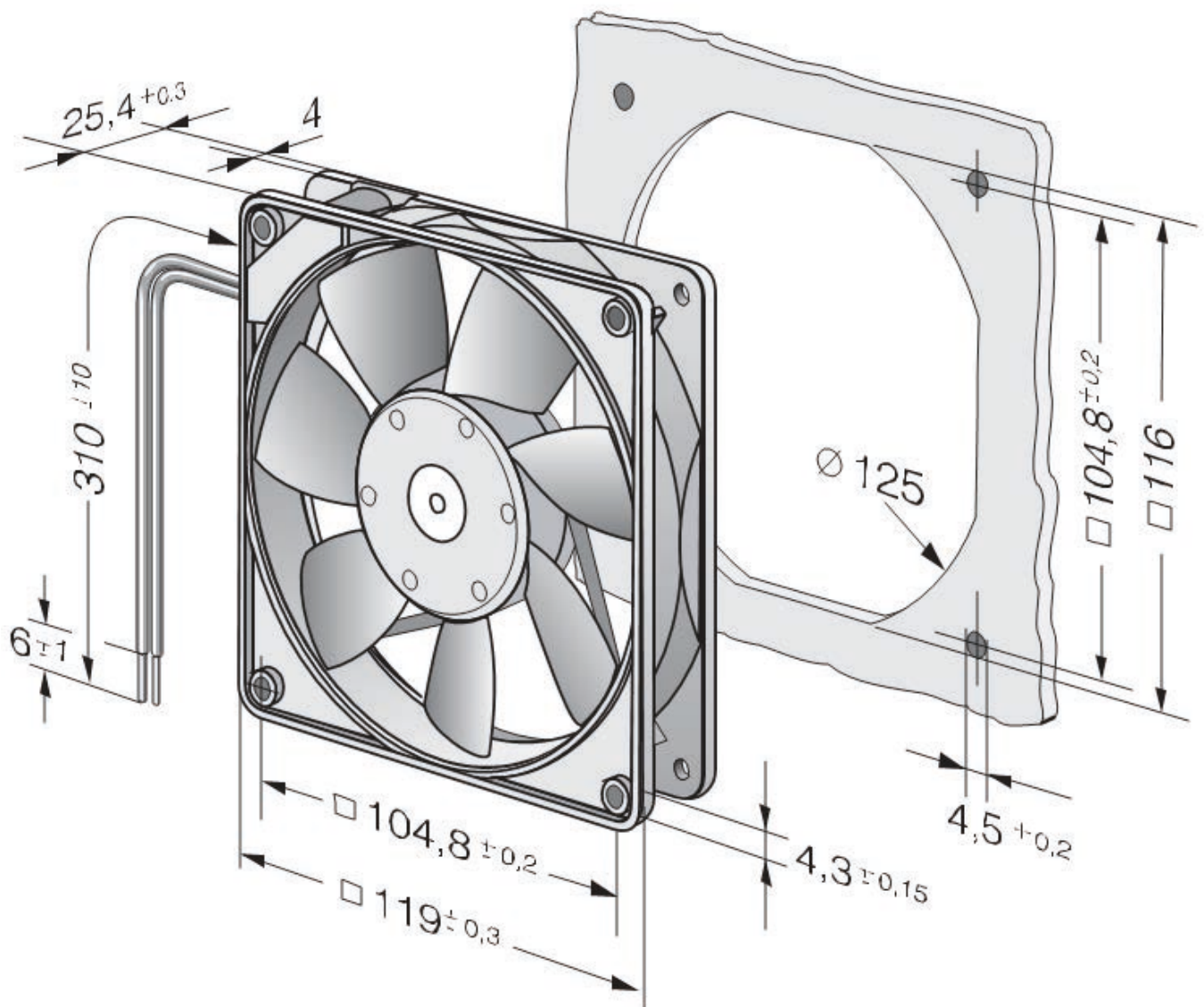
[9920030004](#)

## Curves: Air performance





## Drawing



# 4412 FG - Size(mm): 119x119x25

DC compact fans



[Back to product overview:](#)



## Material/surface

- Impeller: Glass-fiber reinforced PA plastic
- Housing: Glass-fiber reinforced PBT plastic
- Number of blades: 7

## Technical description

- Direction of rotation: Counterclockwise, seen on rotor
- Airflow direction: Exhaust over struts
- Protection: IP20
- Bearings: Sintec sleeve bearing
- Motor protection: Protection against reverse polarity and blocked rotor
- Cable: Leads AWG 24, TR 64, stripped and tin-plated

## Conformity with standards

- Norm: IEC 60038

Go to	<a href="#">Pricelist</a>
Go to	<a href="#">Accessories</a>
Link to	<a href="#">ebm-papst operating instructions</a>
More at	<a href="http://www.ebmpapst.nl">www.ebmpapst.nl</a>

Nominal Data	Voltage	Max. Air flow	Speed	Power consumption	Bearing	Sound pressure level	Service life 40 C	Service life at T max.	Perm. ambient temp.	Weight
Partnumber	VDC	m3/h	rpm	W		dB(A)	Hrs	Hrs	C	kg
9293505446	12	170	2900	5,3	sleeve	43	60000	37500	-20..+70	0,17

[Pricelist](#)

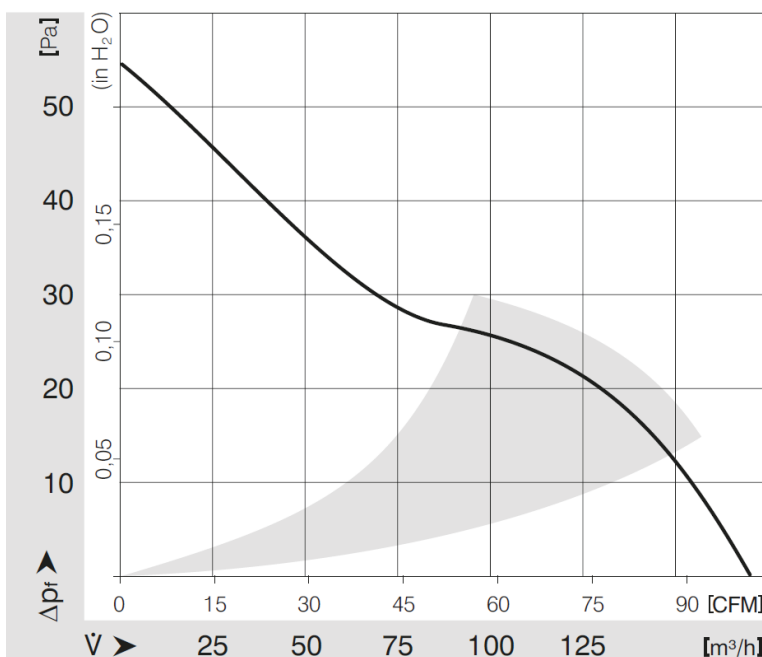
Fan filter

[9920060000 / 9920340004](#)

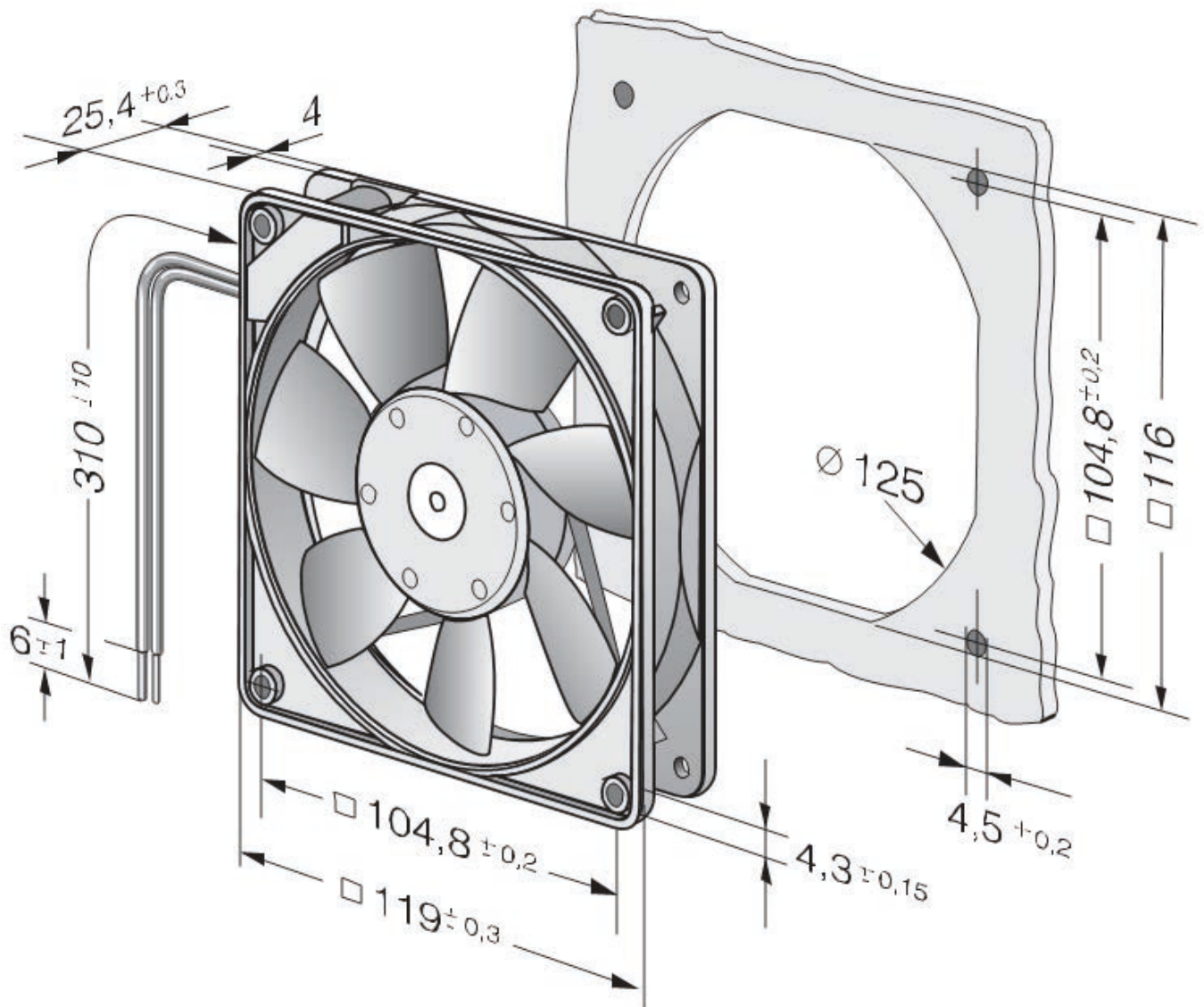
Guard grille

[9920030004](#)

## Curves: Air performance



## Drawing



# 4414 F - Size(mm): 119x119x25

DC compact fans



[Back to product overview:](#)



## Material/surface

- Impeller: Glass-fiber reinforced PA plastic
- Housing: Glass-fiber reinforced PBT plastic
- Number of blades: 7

## Technical description

- Direction of rotation: Counterclockwise, seen on rotor
- Airflow direction: Exhaust over struts
- Protection: IP20
- Bearings: Ball bearing
- Motor protection: Protection against reverse polarity and blocked rotor
- Cable: Leads AWG 24, TR 64, stripped and tin-plated

## Conformity with standards

- Norm: IEC 60038

Go to	<a href="#">Pricelist</a>
Go to	<a href="#">Accessories</a>
Link to	<a href="#">ebm-papst operating instructions</a>
More at	<a href="http://www.ebmpapst.nl">www.ebmpapst.nl</a>

Nominal Data	Voltage	Max. Air flow	Speed	Power consumption	Bearing	Sound pressure level	Service life 40 C	Service life at T max.	Perm. ambient temp.	Weight
Partnumber	VDC	m3/h	rpm	W		dB(A)	Hrs	Hrs	C	kg
9293505405	24	170	2900	5	ball	43	60000	37500	-20..+60	0,175

[Pricelist](#)

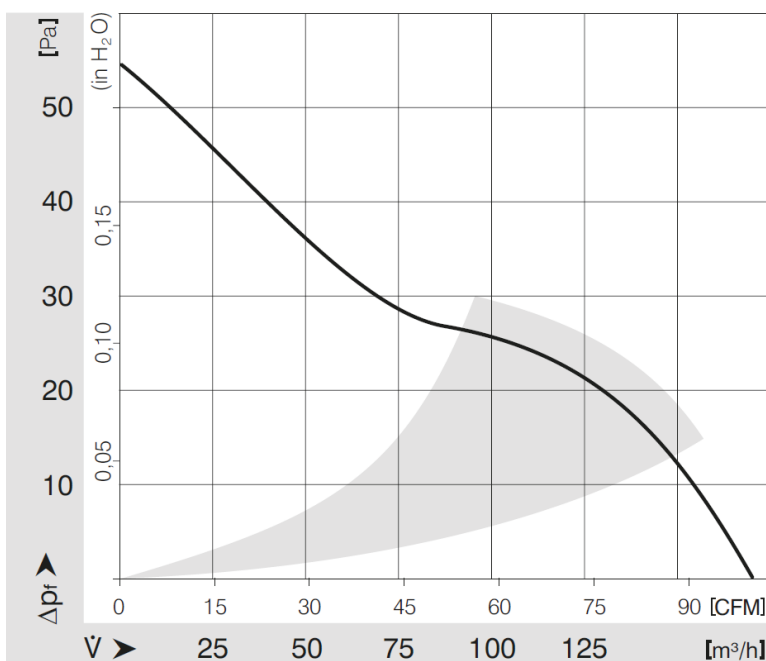
Fan filter

[9920060000 / 9920340004](#)

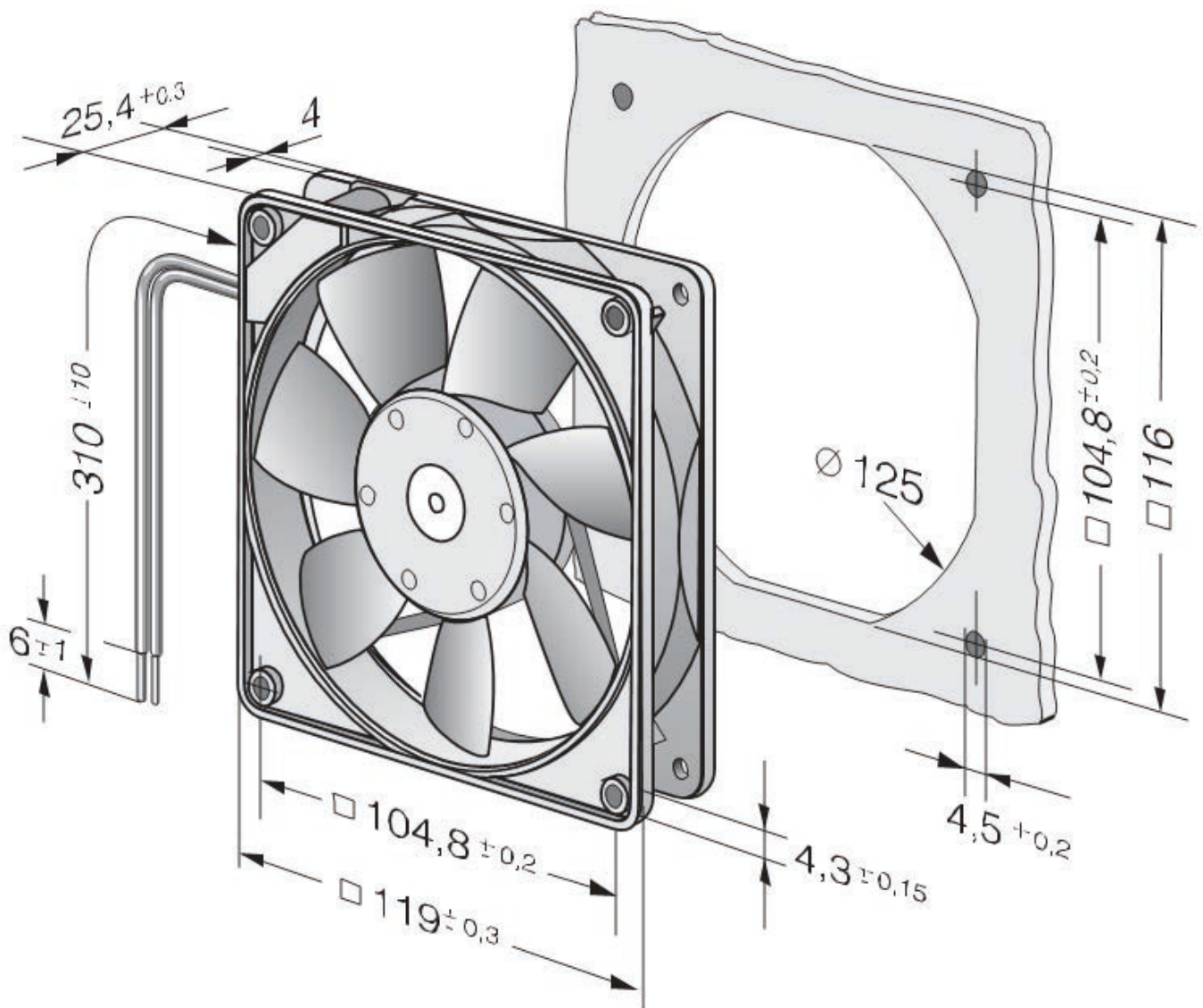
Guard grille

[9920030004](#)

## Curves: Air performance



## Drawing



# 4314 NN - Size(mm): 119x119x32

DC compact fans



[Back to product overview:](#)



#### Material/surface

- Impeller: Glass-fiber reinforced PA plastic
- Housing: Glass-fiber reinforced PBT plastic
- Number of blades: 5

#### Technical description

- Direction of rotation: Clockwise, seen on rotor
- Airflow direction: Exhaust over struts
- Protection: IP54/68
- Bearings: Ball bearing
- Motor protection: Protection against reverse polarity and blocked rotor
- Cable: Leads AWG 24, TR 64, stripped and tin-plated

#### Conformity with standards

- Norm: IEC 60038

Go to	<a href="#">Pricelist</a>
Go to	<a href="#">Accessories</a>
Link to	<a href="#">ebm-papst operating instructions</a>
More at	<a href="http://www.ebmpapst.nl">www.ebmpapst.nl</a>

Nominal Data	Voltage	Max. Air flow	Speed	Power consumption	Bearing	Sound pressure level	Service life 40 C	Service life at T max.	Perm. ambient temp.	Weight
Partnumber	VDC	m3/h	rpm	W		dB(A)	Hrs	Hrs	C	kg
9293510701	24	190	2700	4,1	ball	43	72500	30000	-20..+75	0,25

[Pricelist](#)

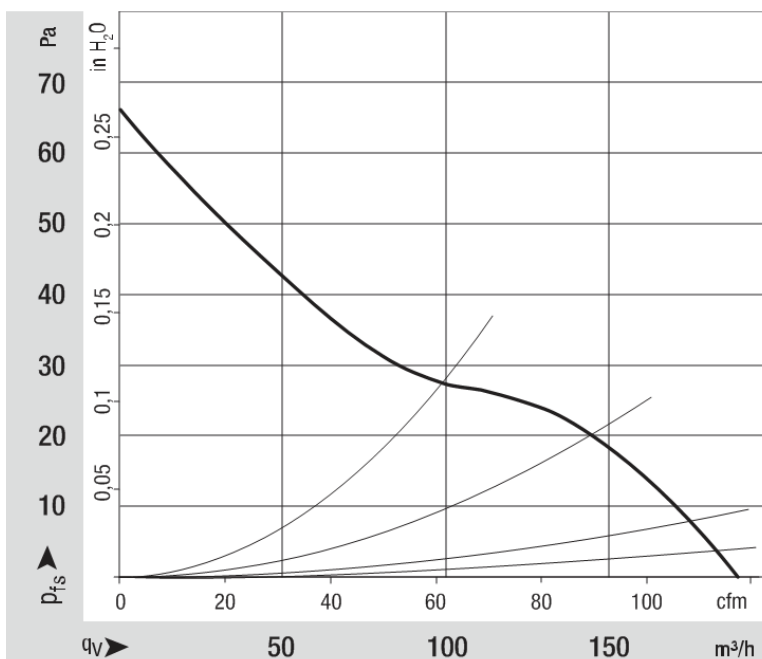
Fan filter

[9920060000 / 9920340004](#)

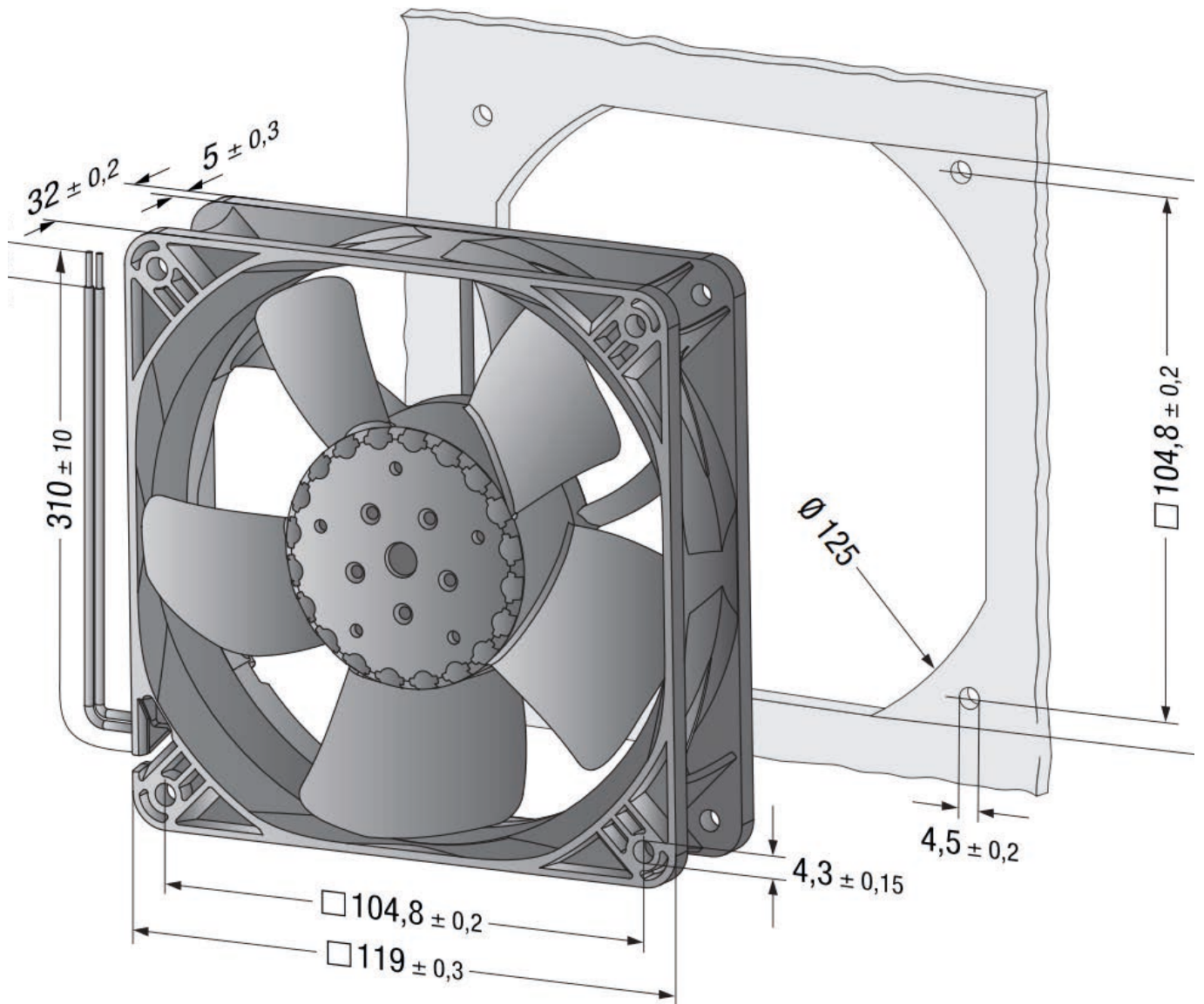
Guard grille

[9920030004](#)

#### Curves: Air performance



## Drawing



# 4314 NNU - Size(mm): 119x119x32

DC compact fans



[Back to product overview:](#)



#### Material/surface

- Impeller: Plastic
- Housing: Plastic
- Number of blades: 5

#### Technical description

- Direction of rotation: Clockwise, seen on rotor
- Airflow direction: Exhaust over struts
- Protection: IP68
- Bearings: Ball bearing
- Motor protection: Protection against reverse polarity and blocked rotor
- Cable: Leads AWG 24, TR 64, stripped and tin-plated

#### Conformity with standards

- Norm: IEC 60038

Go to	<a href="#">Pricelist</a>
Go to	<a href="#">Accessories</a>
Link to	<a href="#">ebm-papst operating instructions</a>
More at	<a href="http://www.ebmpapst.nl">www.ebmpapst.nl</a>

Nominal Data	Voltage	Partnumber	Max. Air flow	Speed	Power consumption	Bearing	Sound pressure level	Service life 40 C	Service life at T max.	Perm. ambient temp.	Weight
	VDC		m3/h	rpm	W		dB(A)	Hrs	Hrs	C	kg
	24	9293510702	187	2700	4,1	ball	43	72500	30000	-20..+75	0,26

[Pricelist](#)

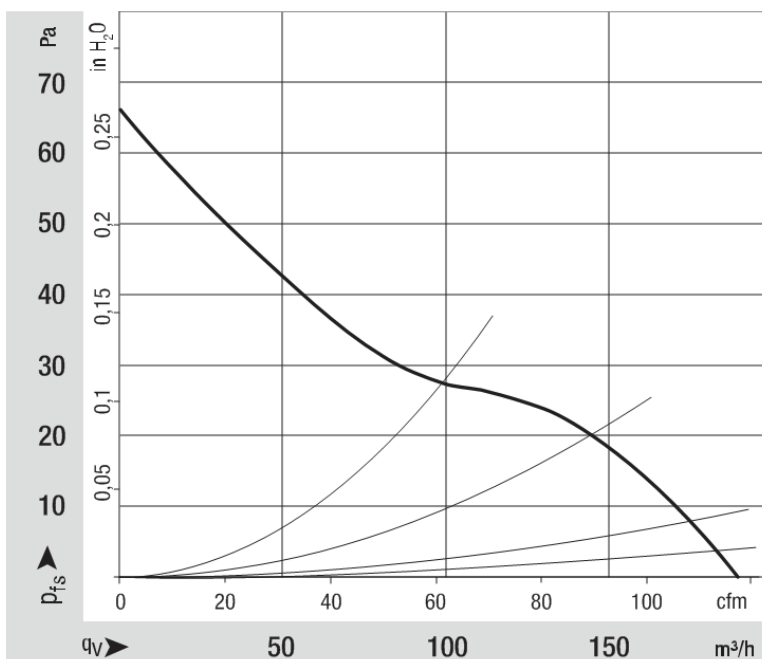
Fan filter

[9920060000 / 9920340004](#)

Guard grille

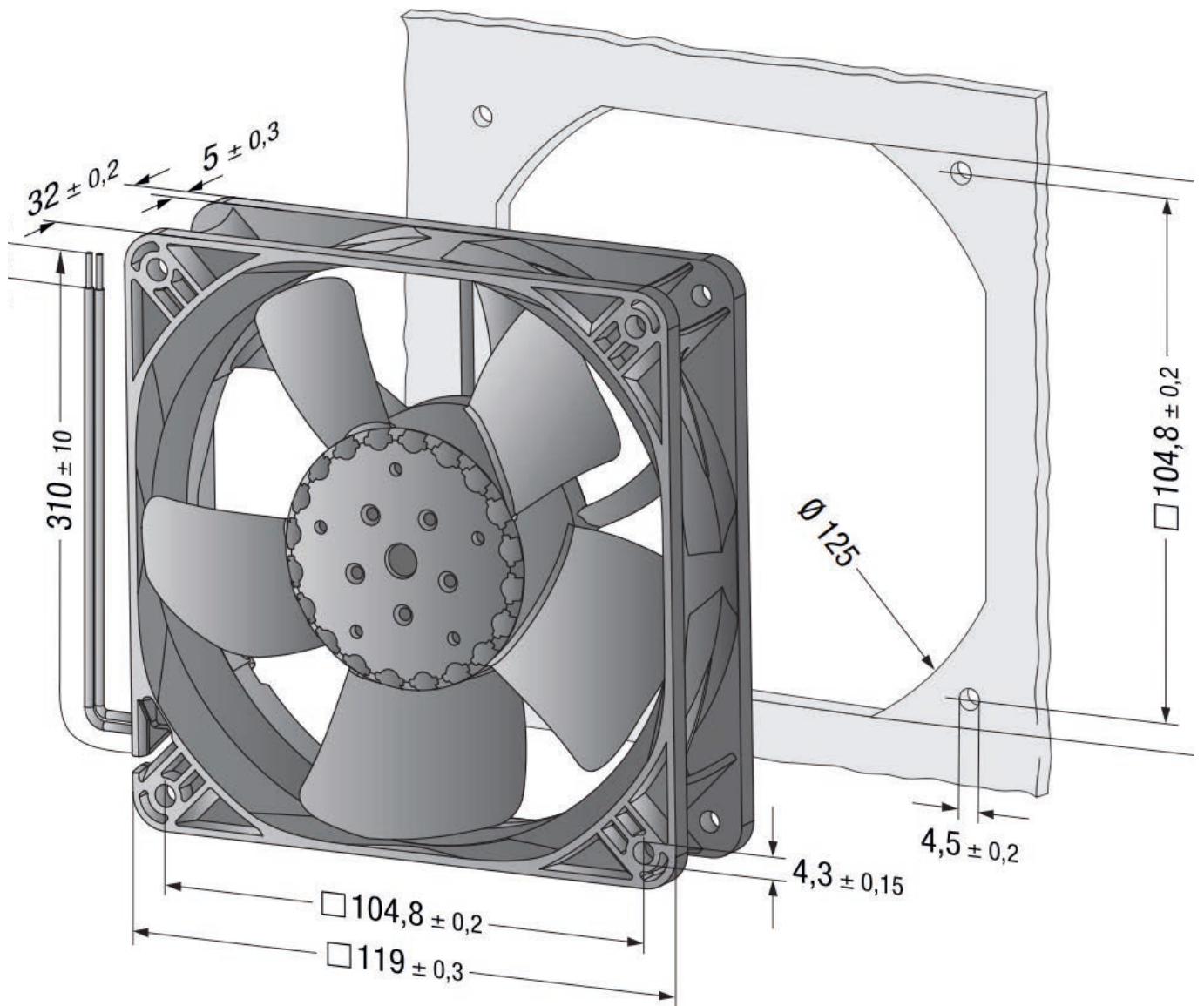
[9920030004](#)

#### Curves: Air performance





## Drawing



# 4414 ML - Size(mm): 119x119x38

DC compact fans



[Back to product overview:](#)



## Material/surface

- Impeller: Glass-fiber reinforced PA plastic
- Housing: Glass-fiber reinforced PBT plastic
- Number of blades: 5

## Technical description

- Direction of rotation: Clockwise, seen on rotor
- Airflow direction: Exhaust over struts
- Protection: IP20
- Bearings: Ball bearing
- Motor protection: Protection against reverse polarity and blocked rotor
- Cable: Leads AWG 24, TR 64, stripped and tin-plated

## Conformity with standards

- Norm: IEC 60038

Go to	<a href="#">Pricelist</a>
Go to	<a href="#">Accessories</a>
Link to	<a href="#">ebm-papst operating instructions</a>
More at	<a href="http://www.ebmpapst.nl">www.ebmpapst.nl</a>

Nominal Data	Voltage	Max. Air flow	Speed	Power consumption	Bearing	Sound pressure level	Service life 40 C	Service life at T max.	Perm. ambient temp.	Weight
Partnumber	VDC	m3/h	rpm	W		dB(A)	Hrs	Hrs	C	kg
9293510560	24	168	3000	3,2	ball	40	67500	22500	-20..+80	0,27

[Pricelist](#)

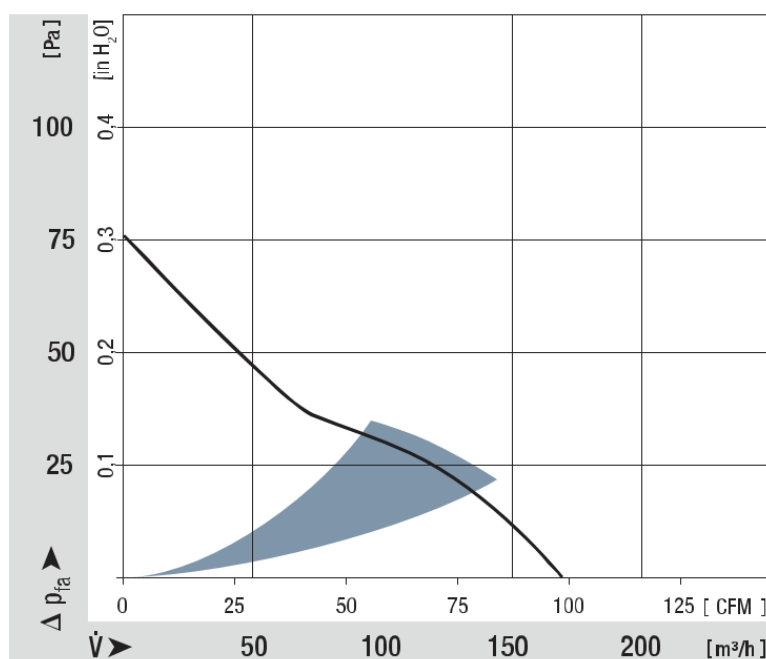
Fan filter

[9920060000 / 9920340004](#)

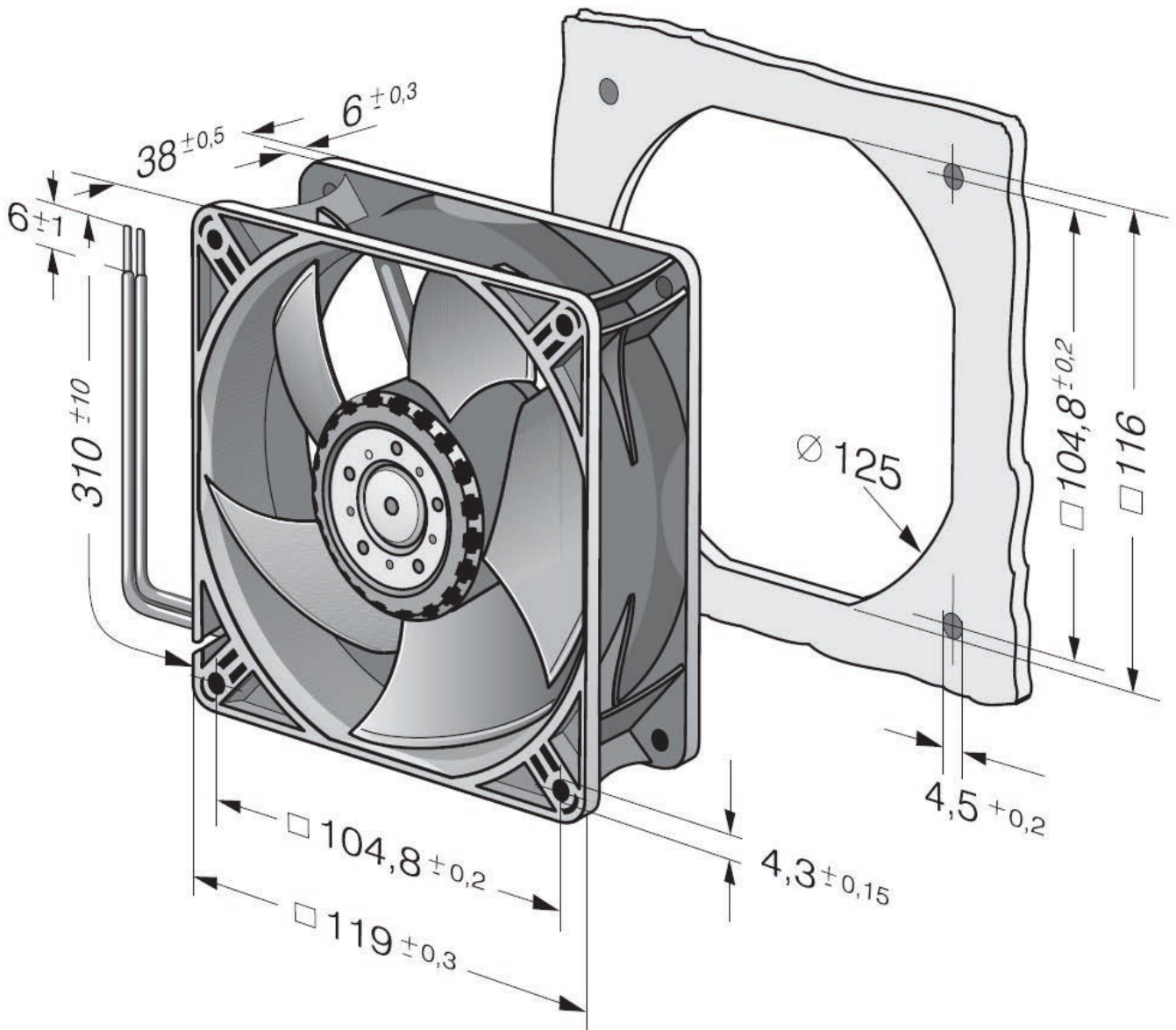
Guard grille

[9920030004](#)

## Curves: Air performance



## Drawing



# 4414 HH - Size(mm): 119x119x38

DC compact fans



[Back to product overview:](#)



#### Material/surface

- Impeller: Glass-fiber reinforced PA plastic
- Housing: Glass-fiber reinforced PBT plastic
- Number of blades: 5

#### Technical description

- Direction of rotation: Clockwise, seen on rotor
- Airflow direction: Exhaust over struts
- Protection: IP20
- Bearings: Ball bearing
- Motor protection: Protection against reverse polarity and blocked rotor
- Cable: Leads AWG 24, TR 64, stripped and tin-plated

#### Conformity with standards

- Norm: IEC 60038

Go to	<a href="#">Pricelist</a>
Go to	<a href="#">Accessories</a>
Link to	<a href="#">ebm-papst operating instructions</a>
More at	<a href="http://www.ebmpapst.nl">www.ebmpapst.nl</a>

Nominal Data	Voltage	Max. Air flow	Speed	Power consumption	Bearing	Sound pressure level	Service life 40 C	Service life at T max.	Perm. ambient temp.	Weight
Partnumber	VDC	m3/h	rpm	W		dB(A)	Hrs	Hrs	C	kg
9293510524	24	285	5000	14	ball	55	50000	25000	-20..+70	0,25

[Pricelist](#)

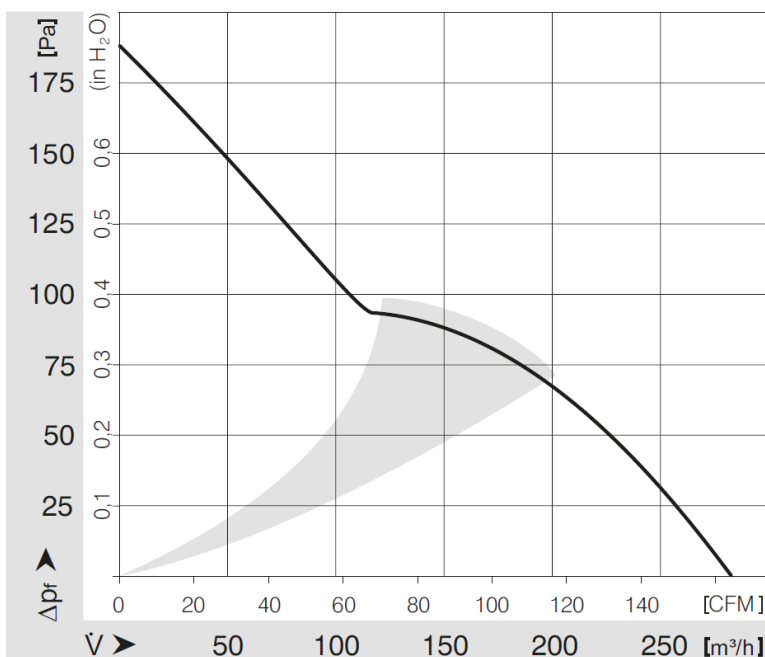
Fan filter

[9920060000 / 9920340004](#)

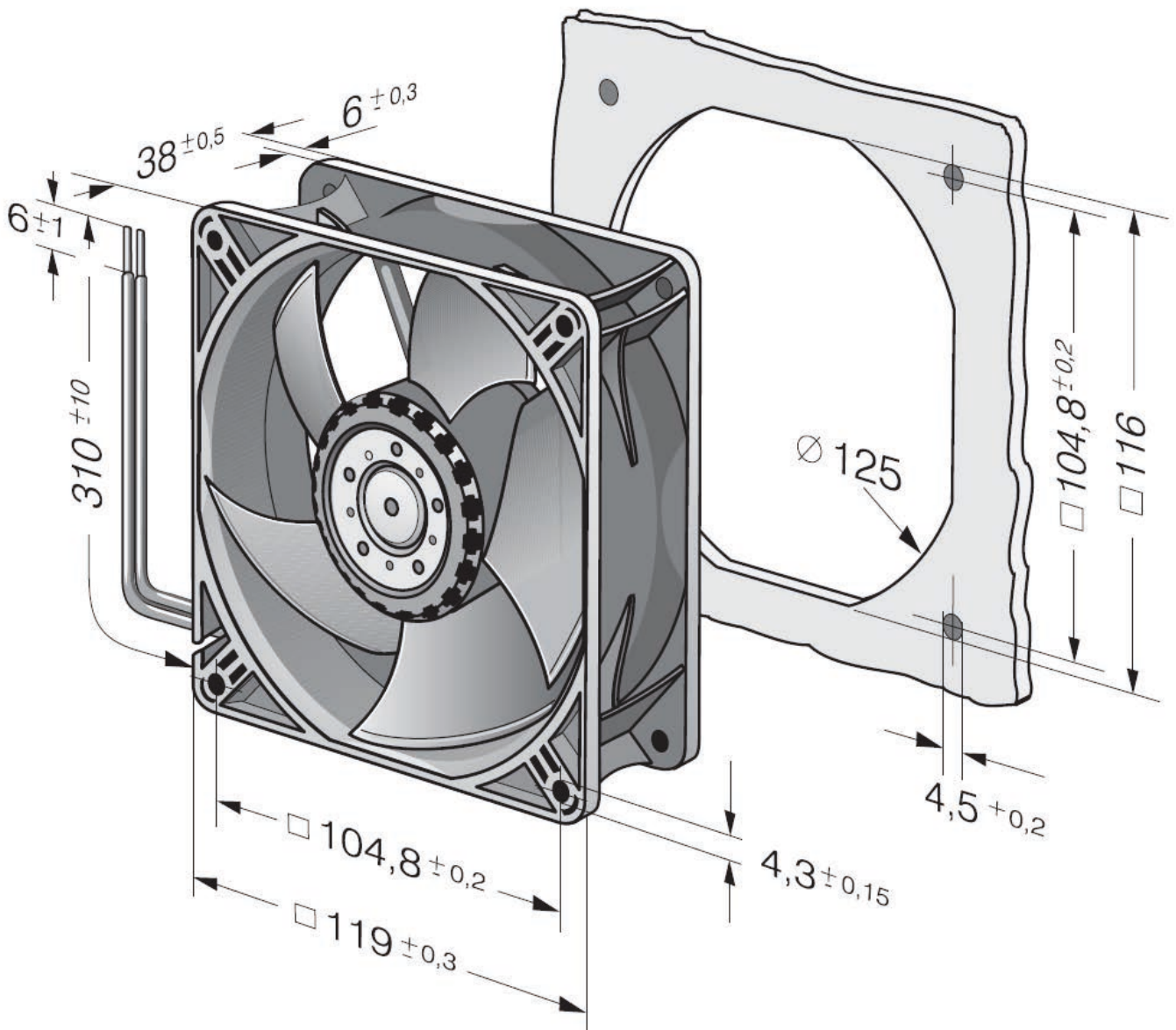
Guard grille

[9920030004](#)

#### Curves: Air performance



## Drawing



# 4184 NX - Size(mm): 119x119x38

DC compact fans



[Back to product overview:](#)



## Material/surface

- Impeller: Glass-fiber reinforced PA plastic
- Housing: Die-cast aluminium
- Number of blades: 5

## Technical description

- Direction of rotation: Clockwise, seen on rotor
- Airflow direction: Intake over struts
- Protection: IP20
- Bearings: Ball bearing
- Motor protection: Protection against reverse polarity and blocked rotor
- Cable: Flat plug 2.8 x 0.5 mm. Optionally also with wires.

## Conformity with standards

- Norm: IEC 60038

Go to	<a href="#">Pricelist</a>
Go to	<a href="#">Accessories</a>
Link to	<a href="#">ebm-papst operating instructions</a>
More at	<a href="http://www.ebmpapst.nl">www.ebmpapst.nl</a>

Nominal Data	Voltage	Max. Air flow	Speed	Power consumption	Bearing	Sound pressure level	Service life 40 C	Service life at T max.	Perm. ambient temp.	Weight
Partnumber	VDC	m3/h	rpm	W		dB(A)	Hrs	Hrs	C	kg
9294310103	24	168	3200	4,9	ball	49	85000	40000	-20..+70	0,38

[Pricelist](#)

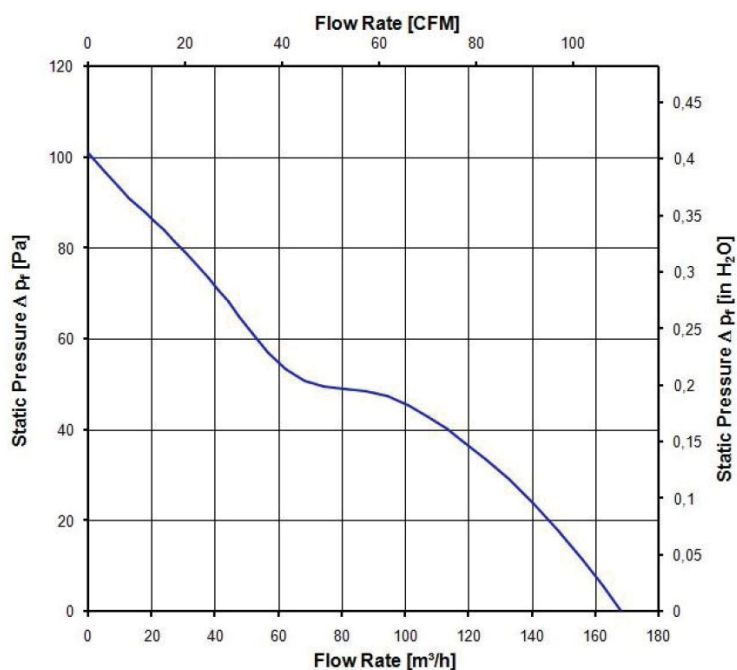
Fan filter

[9920060000 / 9920340004](#)

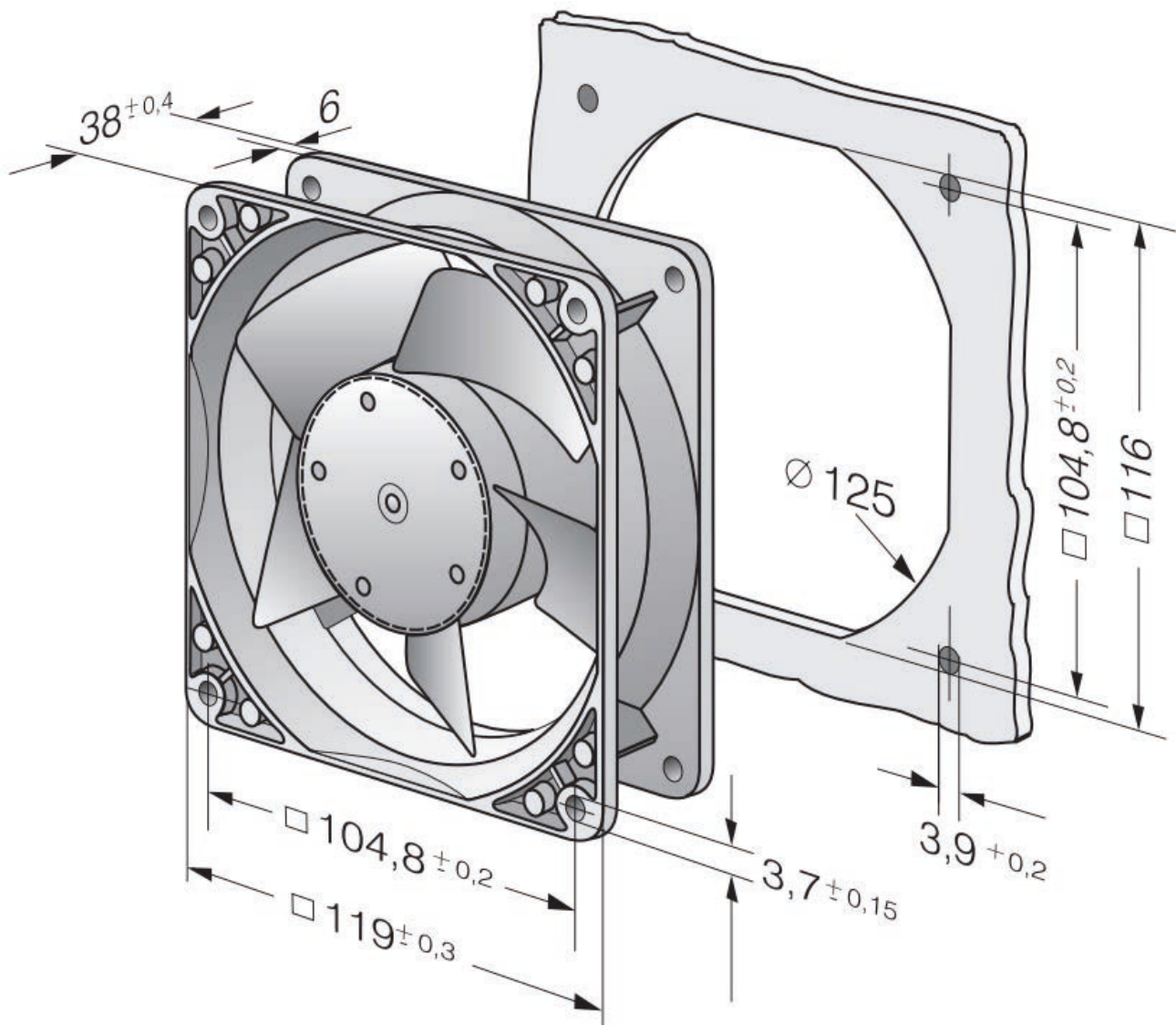
Guard grille

[9920030004](#)

## Curves: Air performance



## Drawing



# 7114 N - Size(mm): Ø150x38

DC compact fans



[Back to product overview:](#)



#### Material/surface

- Impeller: Glass-fiber reinforced PA plastic
- Housing: Die-cast aluminium
- Number of blades: 7

#### Technical description

- Direction of rotation: Counterclockwise, seen on rotor
- Airflow direction: Intake over struts
- Protection: IP20
- Bearings: Ball bearing
- Motor protection: Protection against reverse polarity and blocked rotor
- Cable: Leads AWG 22, TR 64, stripped and tin-plated

#### Conformity with standards

- Norm: IEC 60038

Go to	<a href="#">Pricelist</a>
Go to	<a href="#">Accessories</a>
Link to	<a href="#">ebm-papst operating instructions</a>
More at	<a href="http://www.ebmpapst.nl">www.ebmpapst.nl</a>

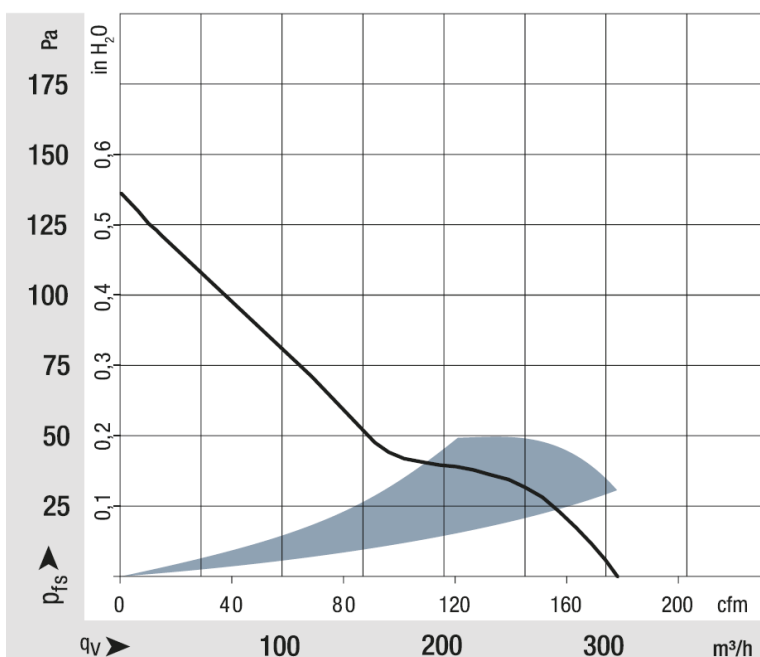
Nominal Data	Voltage	Max. Air flow	Speed	Power consumption	Bearing	Sound pressure level	Service life 40 C	Service life at T max.	Perm. ambient temp.	Weight
Partnumber	VDC	m3/h	rpm	W		dB(A)	Hrs	Hrs	C	kg
9295410121	24	308	2850	12	ball	53	80000	37500	-25..+72	0,62

[Pricelist](#)

**Guard grille**

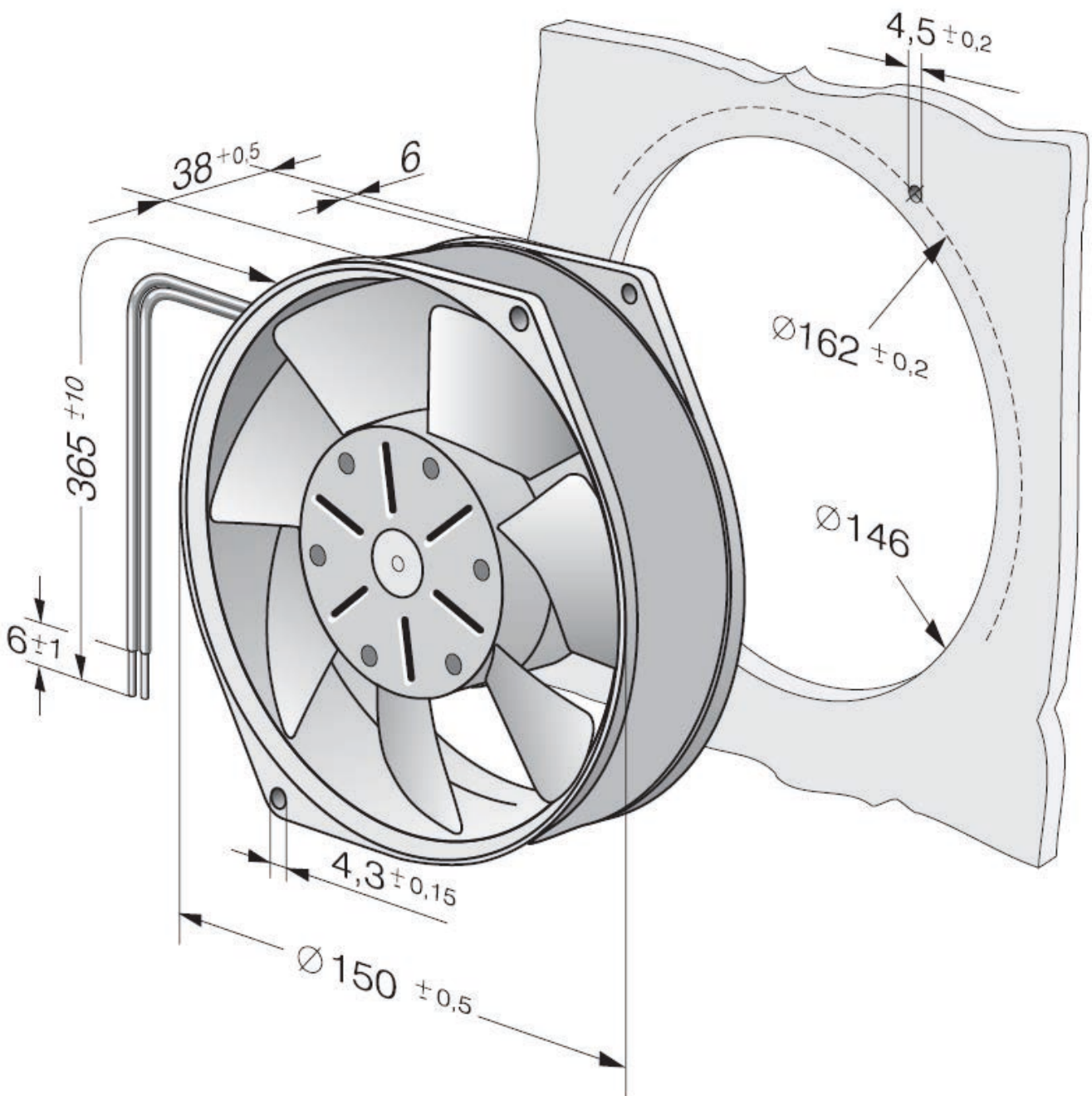
[9920036000](#)

#### Curves: Air performance





## Drawing



# DV 6224 - Size(mm): Ø172x51

DC compact fans



[Back to product overview:](#)



### Material/surface

- Impeller: Glass-fiber reinforced PA plastic
- Housing: Aluminum. Housing with grounding lug for M4 x 8 screw (Torx).
- Number of blades: 5

### Technical description

- Direction of rotation: Counterclockwise, seen on rotor
- Airflow direction: Exhaust over struts
- Protection: IP20
- Bearings: Ball bearing
- Motor protection: Protection against reverse polarity and blocked rotor
- Cable: Leads AWG 22, TR 64, stripped and tin-plated

### Conformity with standards

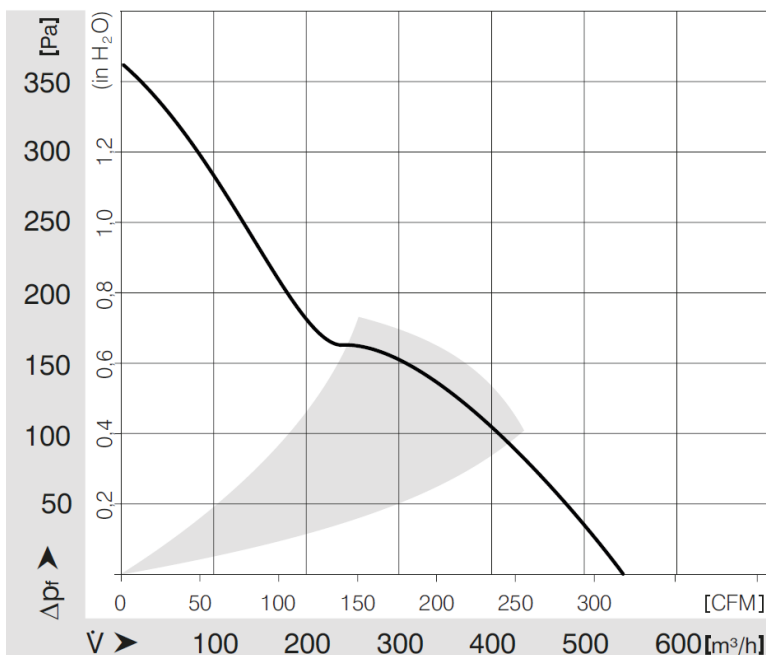
- Norm: IEC 60038

Go to	<a href="#">Pricelist</a>
Go to	<a href="#">Accessories</a>
Link to	<a href="#">ebm-papst operating instructions</a>
More at	<a href="http://www.ebmpapst.nl">www.ebmpapst.nl</a>

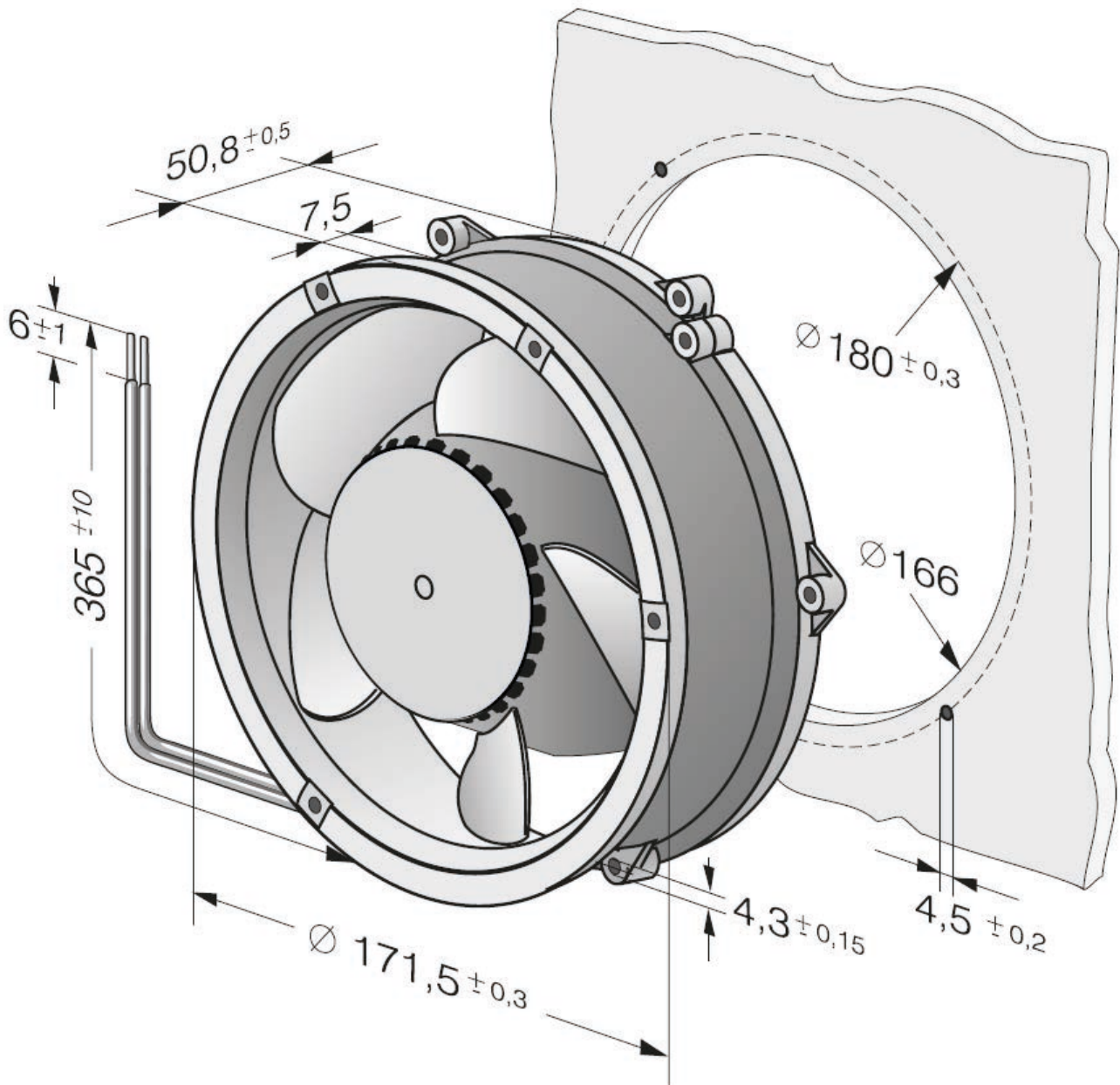
Nominal Data	Voltage	Max. Air flow	Speed	Power consumption	Bearing	Sound pressure level	Service life 40 C	Service life at T max.	Perm. ambient temp.	Weight
Partnumber	VDC	m3/h	rpm	W		dB(A)	Hrs	Hrs	C	kg
9295414502	24	540	4300	40	ball	63	90000	40000	-20..+75	0,82

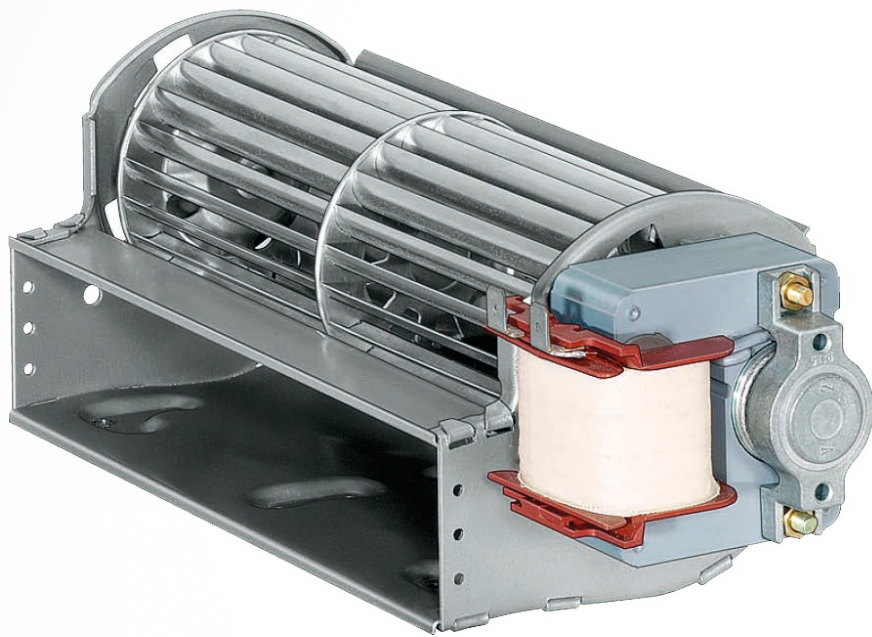
[Pricelist](#)

### Curves: Air performance



## Drawing





# Tangential fans

**ebmpapst**

engineering a better life

# QLZ06/1800-2524 (R)

AC tangential fans

[Back to product overview:](#)



#### Material/surface

- Impeller: Blades coated black steel

#### Technical description

- Isolation: B, class F or H on request
- Mounting position: Horizontal or vertical with motor on bottom
- Bearings: Maintenance free bearings
- Motor protection: Impedance protected
- Cable: Flat plug 6.3 x 0.8 mm

#### Conformity with standards

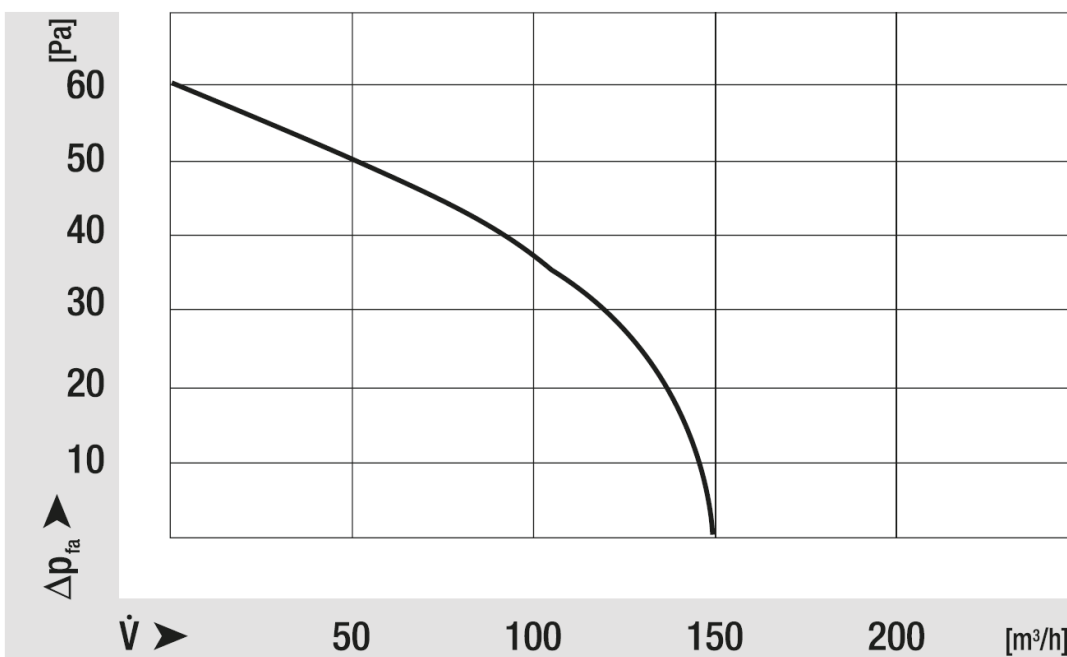
- Norm: DIN 31000 (VDE 1000)

Go to	<a href="#">Pricelist</a>
Go to	<a href="#">Accessories</a>
Link to	<a href="#">ebm-papst operating instructions</a>
More at	<a href="http://www.ebmpapst.nl">www.ebmpapst.nl</a>

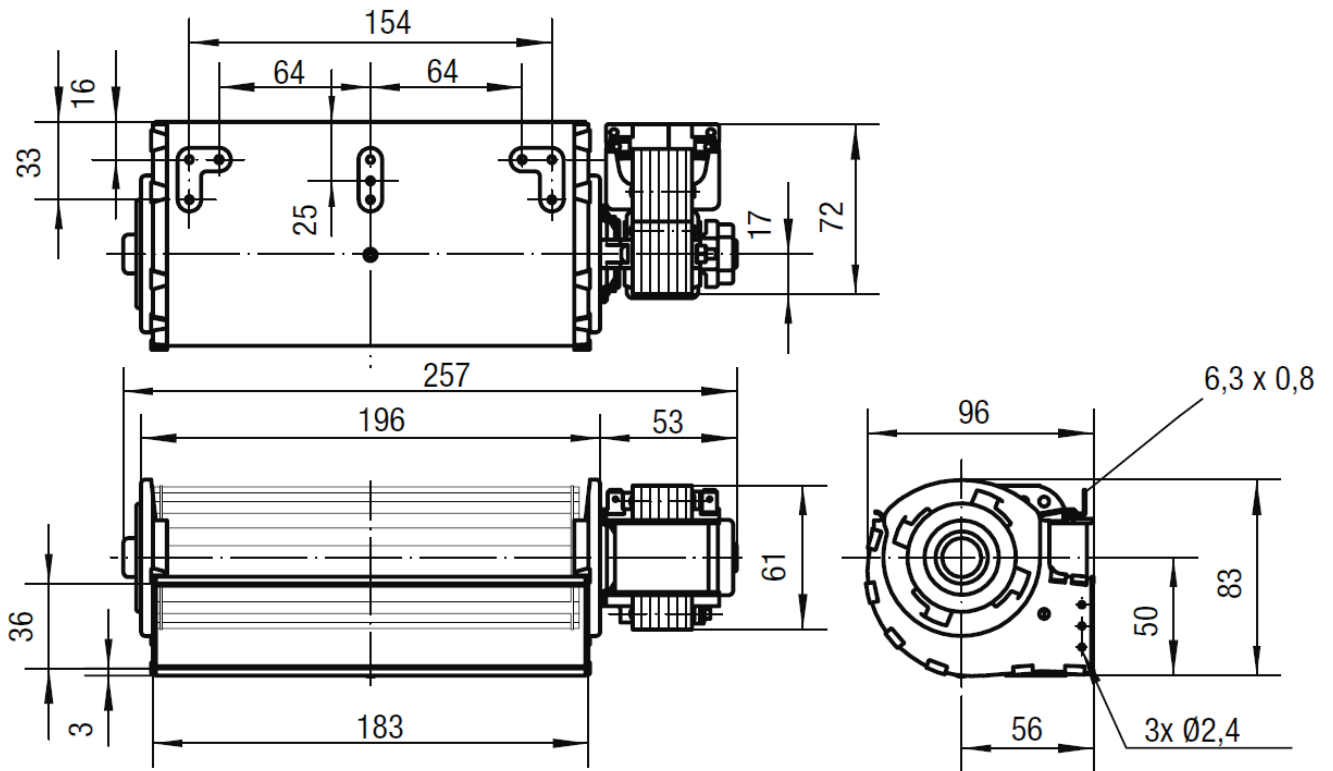
Nominal Data	Motor	Voltage	Frequency	Max. Air flow	Speed	Power consumption	Current draw	Impeller diameter	Pressure increase	Perm. ambient temp.	Weight
Partnumber		VAC	Hz	m3/h	rpm	W	mA	mm	Pa	C	kg
55410.81610	Right	230	50	150	1800	33	240	60	60	0..+60	1

[Pricelist](#)

#### Curves: Air performance



## Drawing







# Motors

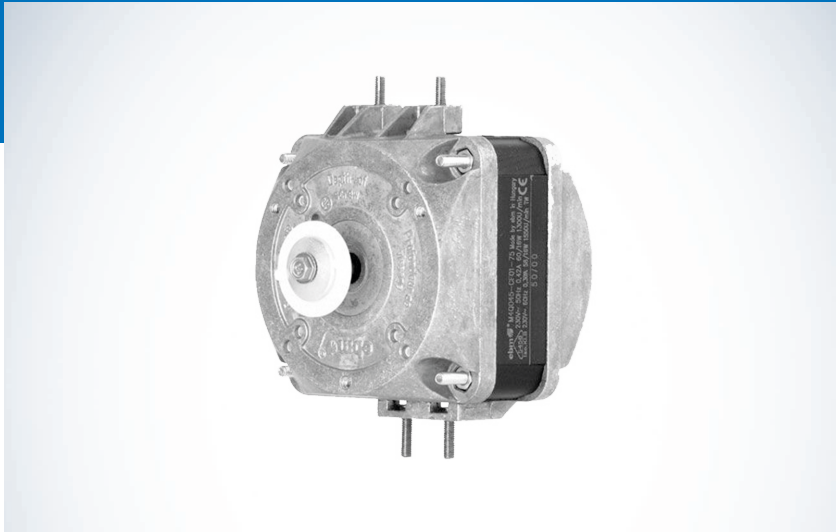
**ebmpapst**

engineering a better life

# Q Motors

## Motors

[Back to product overview:](#)



### Material/surface

- Bearing shield material: Die-cast aluminium

### Technical description

- Direction of rotation: Counterclockwise, seen on rotor
- Protection: IP42
- Isolation: B
- Mounting position:
  - Motor 1-6. Shaft horizontal
  - Motor 7-8. Any, preferably horizontal
- Bearings: Calotte bearing
- Motor protection:
  - Motor 1-4. Impedance protected
  - Motor 5-8. Thermal Overload Protector (TOP)
- Cable: Flat plug 6.3 x 0.8 mm

### Conformity with standards

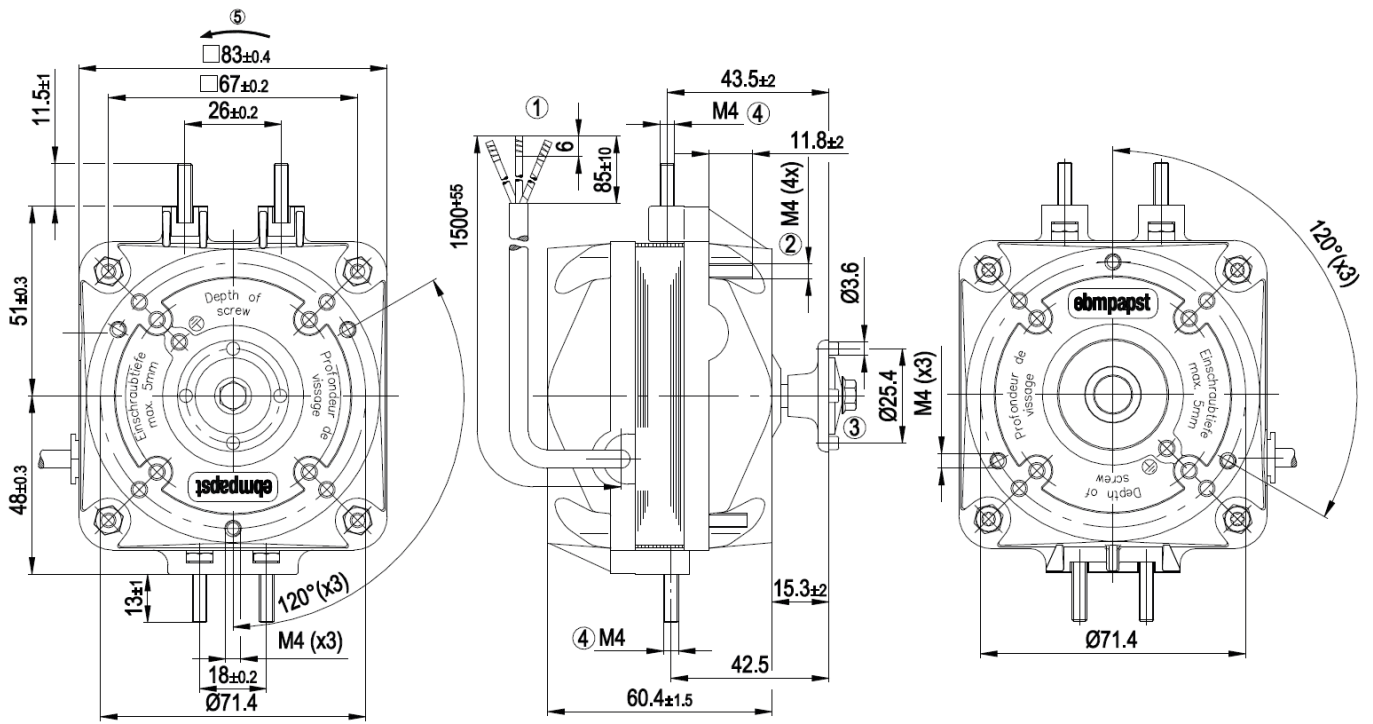
- Norm: VDE, EAC

Go to	<a href="#">Pricelist</a>
Go to	<a href="#">Accessories</a>
Link to	<a href="#">ebm-papst operating instructions</a>
More at	<a href="http://www.ebmpapst.nl">www.ebmpapst.nl</a>

Nominal Data		Voltage	Frequency	Speed	Power output	Power consumption	Current draw	Perm. ambient temp.	Weight
Partnumber		VAC	Hz	rpm	W	W	A	C	kg
M4Q045BD0175	(1)	230	50	1300	5	29	0,19	-30..+40	0,9
M4Q045CA0375	(3)	230	50	1300	10	36	0,25	-30..+40	1,2
M4Q045CF0175	(4)	230	50	1300	16	60	0,42	-30..+40	1,3
M4Q045DA0175	(5)	230	50	1300	18	70	0,48	-30..+40	1,6
M4Q045EA0175	(7)	230	50	1300	25	90	0,62	-30..+40	2,0
M4Q045EF0175	(8)	230	50	1300	34	110	0,75	-30..+40	2,2

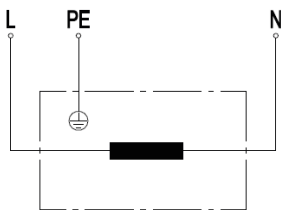
[Pricelist](#)

Drawing



Spare parts

Connection illustration



L	blue	PE	green/yellow	N	brown
---	------	----	--------------	---	-------

# Agitator motors

## Motors

[Back to product overview:](#)



### Material/surface

- Mounting flange: Die-cast aluminium
- Rotor: Stove-enamelled in black
- Shaft: Stainless steel

### Technical description

- Direction of rotation: Clockwise, seen on rotor
- Protection: IP44
- Isolation: B
- Mode of operation: Continuous (S1)
- Bearings: Ball bearing
- Motor protection: Impedance protection
- Cable: Variable

### Conformity with standards

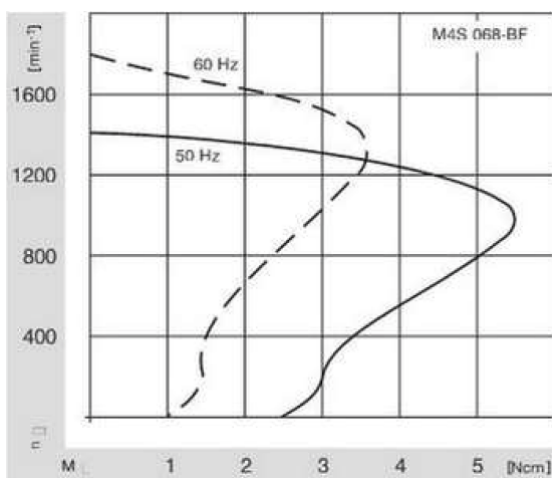
- Norm: CCC, EAC

Go to	<a href="#">Pricelist</a>
Go to	<a href="#">Accessories</a>
Link to	<a href="#">ebm-papst operating instructions</a>
More at	<a href="http://www.ebmpapst.nl">www.ebmpapst.nl</a>

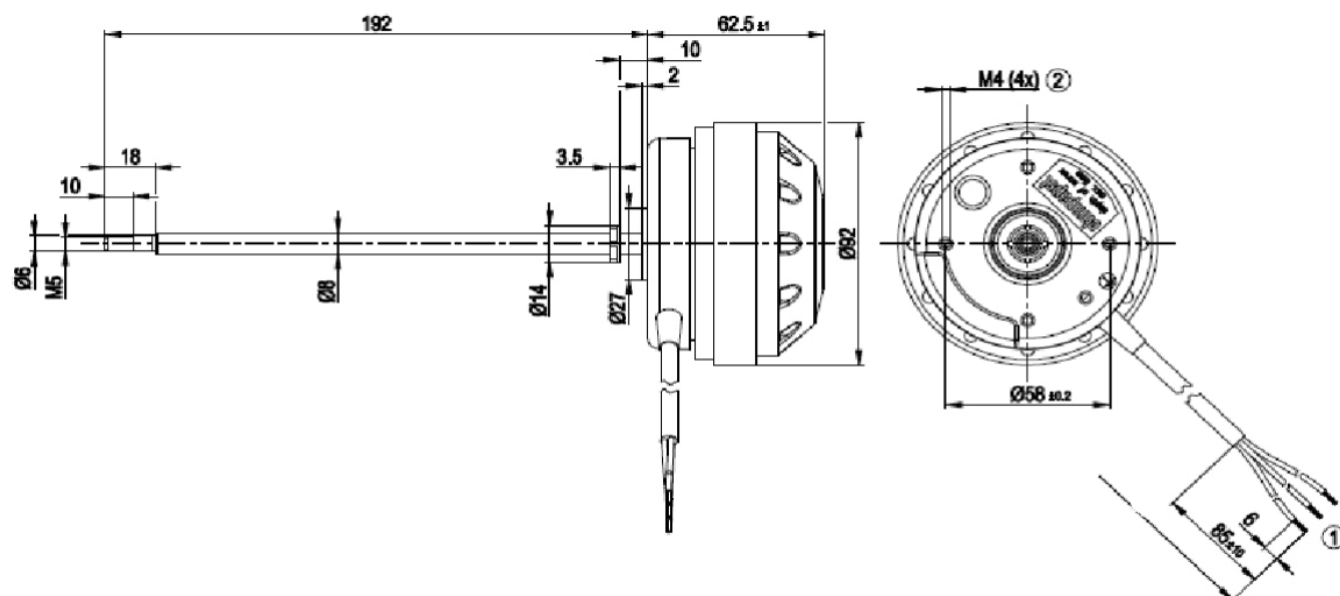
Nominal Data	Voltage	Frequency	Speed	Power consumption	Power output	Current draw	Starting torque	Nominal torque	Shaft length	Cable length	Weight
Partnumber	VAC	Hz	rpm	W	W	A	mNm	mNm	mm	C	kg
M4S068BF0819	230	50	1200	28	5,8	0,18	25	46	192	450	1,1
M4S068BF0814	230	50	1200	28	5,8	0,18	25	46	192	1200	1,1

[Pricelist](#)

### Curves: Air performance

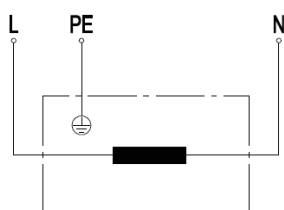


## Drawing



- |   |   |
|---|---|
| 1 | Cable PVC 3G 0.5 mm <sup>2</sup> , 3x crimped splices |
| 2 | Max. clearance for screw 5 mm                         |

## Connection illustration



- |   |      |    |              |   |       |
|---|------|----|--------------|---|-------|
| L | blue | PE | green/yellow | N | brown |
|---|------|----|--------------|---|-------|



# Accessories

**ebmpapst**

engineering a better life

# Capacitors

[Back to product overview:](#)



## Options

- Faston on request

Nominal Data	Capacity	Case dimensions	Connection	Length (i.a.)	Mounting	Voltage	Approval
Partnumber	µF(± 5%)	mm		mm		V	
280F00031	1	30 x 50	uni polar	200	8MA bolt	400	CE/UL/CSA
280F00032	1,5	30 x 50	uni polar	200	8MA bolt	400	CE/UL/CSA
280F00033	2	30 x 50	uni polar	200	8MA bolt	400	CE/UL/CSA
280F00035	3	30 x 50	uni polar	200	8MA bolt	400	CE/UL/CSA
66785-4-7320	3,5	30 x 50	uni polar	200	8MA bolt	450	CE/UL/CSA
280F00036	4	30 x 57	uni polar	200	8MA bolt	425	CE/UL/CSA
280F00037	5	35 x 57	uni polar	200	8MA bolt	400	CE/UL/CSA
280F00038	6	35 x 57	uni polar	200	8MA bolt	400	CE/UL/CSA
280F00055	7	35 x 70	faston	250	8MA bolt	450	CE/UL/CSA
280F00039	8	35 x 70	bi polar	250	8MA bolt	400	CE/UL/CSA
280F00040	10	40 x 70	bi polar	250	8MA bolt	400	CE/UL/CSA
280F00041	12	45 x 70	bi polar	250	8MA bolt	400	CE/UL/CSA
280F00042	14	45 x 70	bi polar	250	8MA bolt	400	CE/UL/CSA
280F00043	16	45 x 70	bi polar	250	8MA bolt	400	CE/UL/CSA
280F00044	20	45 x 94	bi polar	250	8MA bolt	400	CE/UL/CSA
280F00045	25	45 x 94	bi polar	250	8MA bolt	400	CE/UL/CSA
280F00046	35	50 x 121	bi polar	250	8MA bolt	400	CE/UL/CSA

[Pricelist](#)



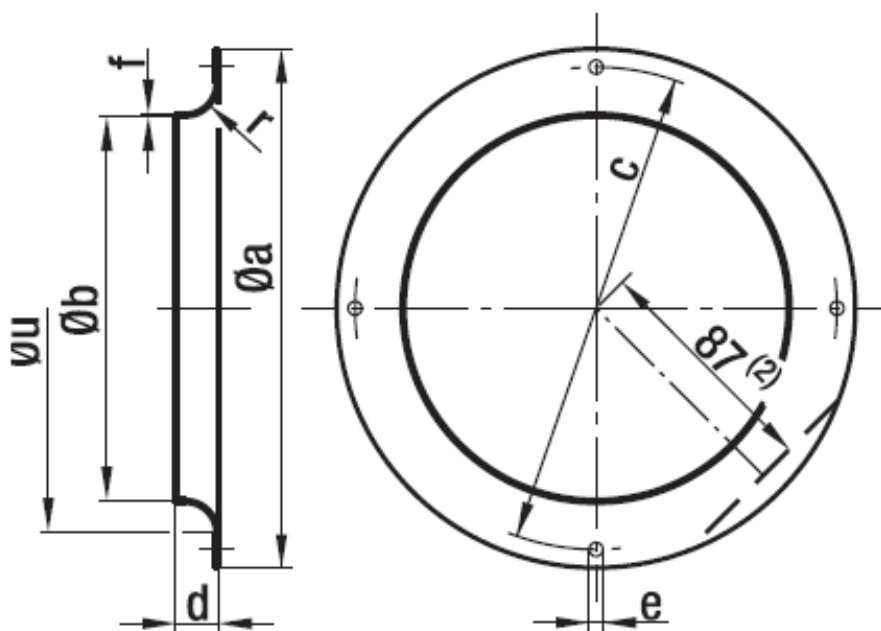
# Inlet rings

[Back to product overview:](#)



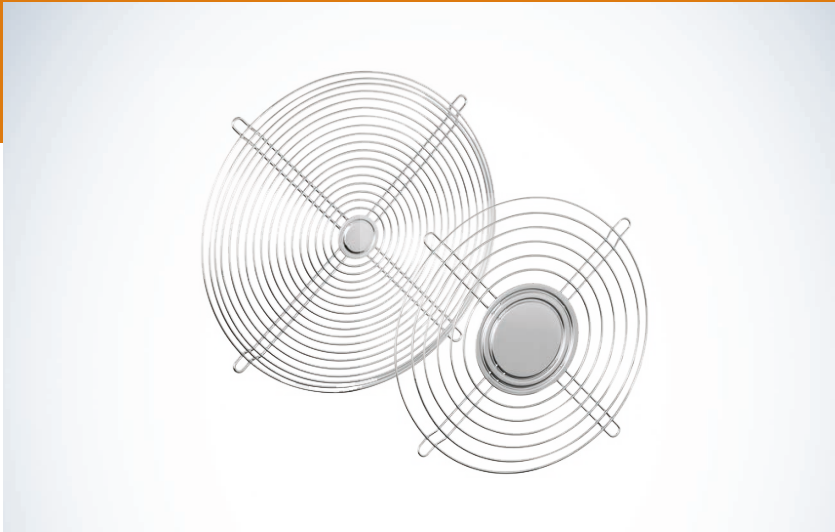
Nominal Data	Fan Size	Outer diameter	Total height	Air inlet	Material
Partnumber	mm	mm	mm	mm	
09576-2-4013	140/146/175/190	170	14	158	zinc-coated sheet steel
09609-2-4013	220	252	20	155	zinc-coated sheet steel
96358-2-4013	225	223	28	146	zinc-coated sheet steel
<a href="#">Pricelist</a>					

Drawing (example)



# Guard grilles

[Back to product overview:](#)

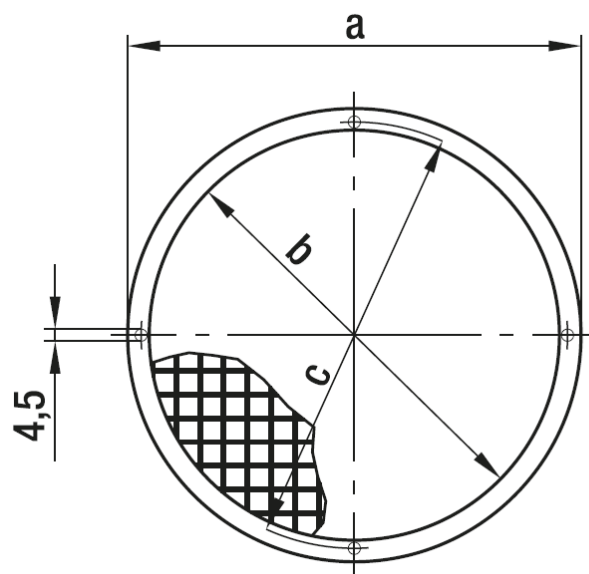


Partnumber	Fan Size	a	b	c	d	e	f	Material
09494-2-4039	120	140	124	132				Welded screens made of hot-dip galvanized steel, border made of tin
09492-2-4039	140/146	168	152	158				Welded screens made of hot-dip galvanized steel, border made of tin
78128-2-4039	200	240	5,4	221,5	208			Steel wire, plastic-coated, with silver-metallic gloss
09518-2-4039	250	295	265	7				Phosphatized steel wire, plastic coated in RAL nr 9005, black
09418-2-4039	250	295	6,4	278,5	270			Steel wire, plastic-coated, with silver-metallic gloss
90414-2-4039	250	3,9	4,6	4,6	290	58	247	Phosphatized steel wire, plastic coated in RAL nr 9005, black

[Pricelist](#)

## Dimensions

09492-2-4039 / 09494-2-4039

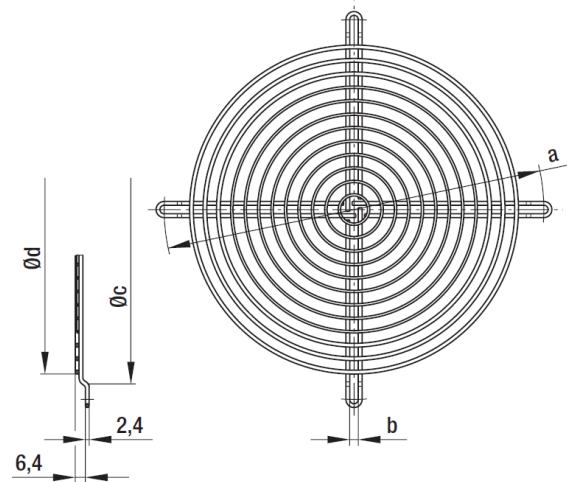


# Guard grilles

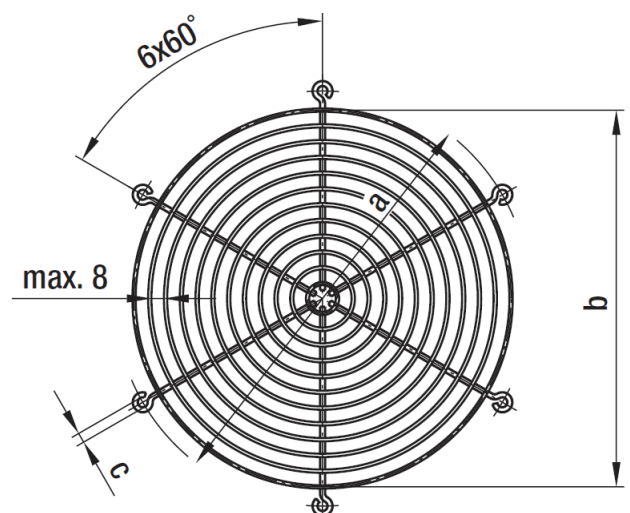
[Back to product overview:](#)



09418-2-4039 / 78128-2-4039

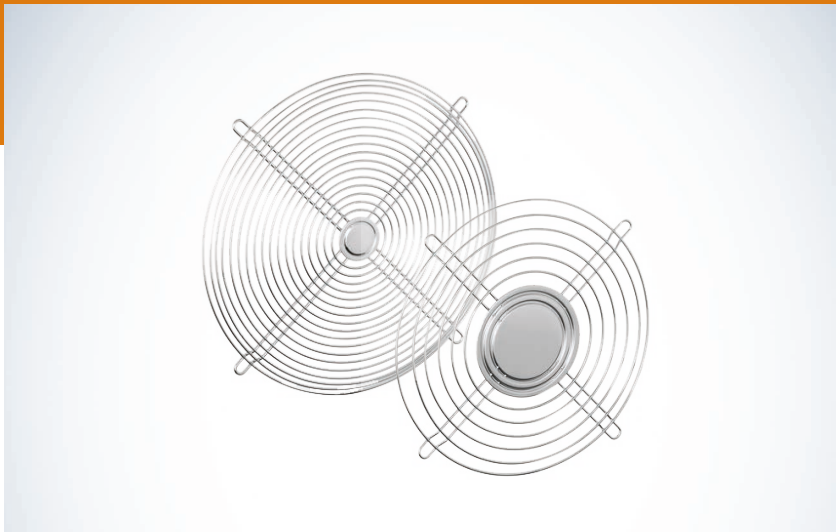


09518-2-4039



# Guard grilles compact fans

[Back to product overview:](#)



Partnumber	Type	Fan series
<a href="#">9920029001</a>	<a href="#">LZ29-1</a>	<a href="#">400</a>
<a href="#">9920028001</a>	<a href="#">LZ28-1</a>	<a href="#">600</a>
<a href="#">9920023001</a>	<a href="#">LZ23-1</a>	<a href="#">3000</a>
<a href="#">9920032004</a>	<a href="#">LZ32-4</a>	<a href="#">8000</a>
<a href="#">9920030004</a>	<a href="#">LZ30-4</a>	<a href="#">9000/4000</a>

[Pricelist](#)

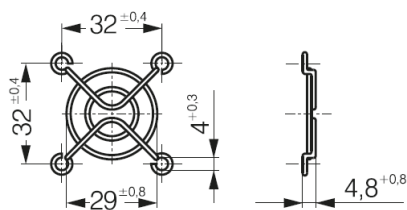
Partnumber	Type	Fan series
<a href="#">9920025000</a>	<a href="#">LZ25</a>	<a href="#">5100/5600</a>
<a href="#">9920035000</a>	<a href="#">LZ35</a>	<a href="#">5200</a>
<a href="#">9920036000</a>	<a href="#">LZ36</a>	<a href="#">7000</a>
<a href="#">9920037000</a>	<a href="#">LZ37</a>	<a href="#">6300</a>

[Pricelist](#)

## Dimensions

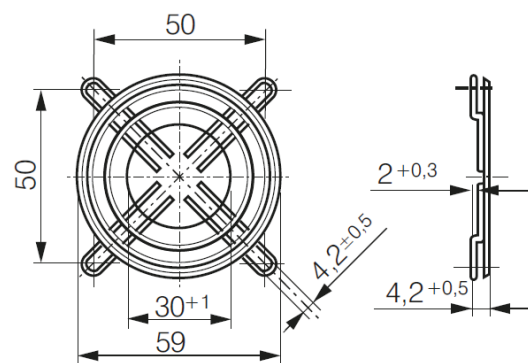
### LZ29-1

Fan size 40 x 40



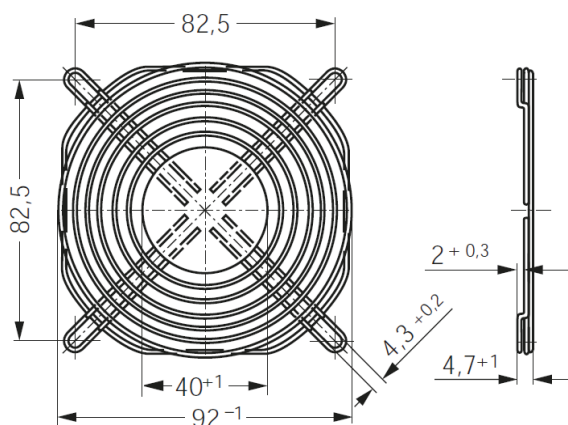
### LZ28-1

Fan size 60 x 60



### LZ23-1

Fan size 92 x 92



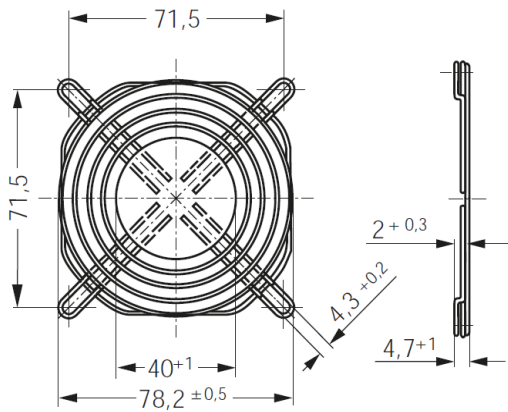
# Guard grilles compact fans

Back to product overview:



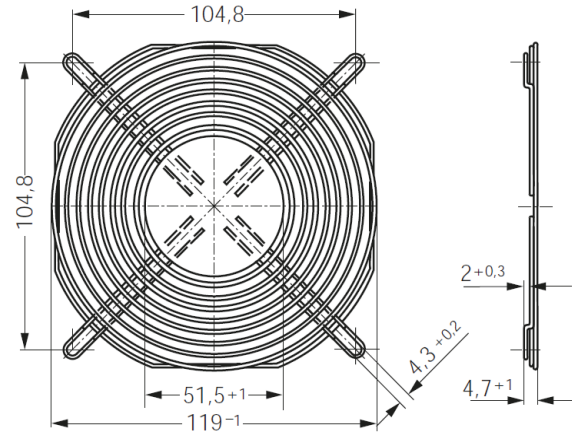
LZ32-4

Fan size 80 x 80



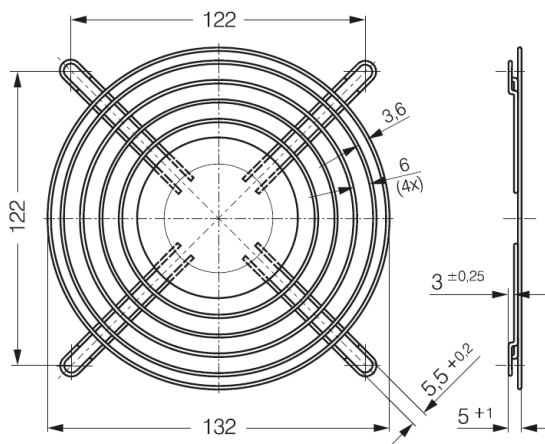
LZ30-4

Fan size 119 x 119



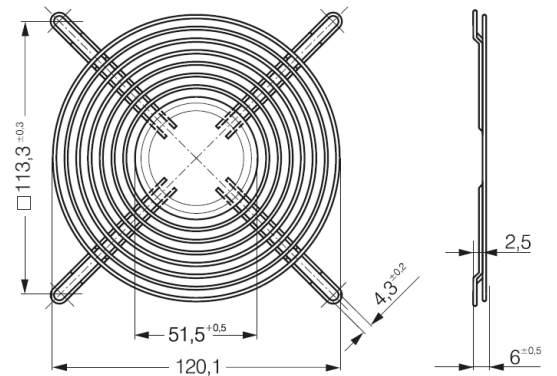
LZ25

Fan size 135 x 135



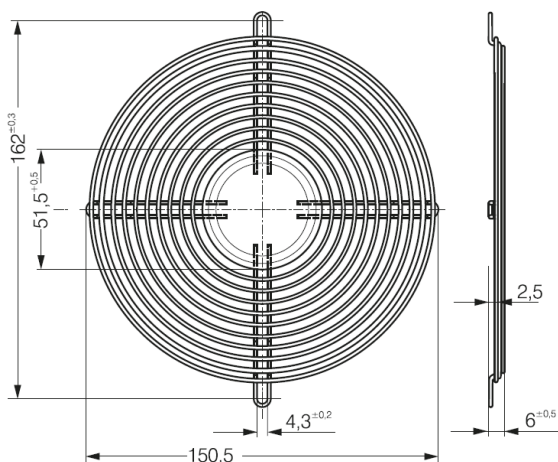
LZ35

Fan size 127 x 127



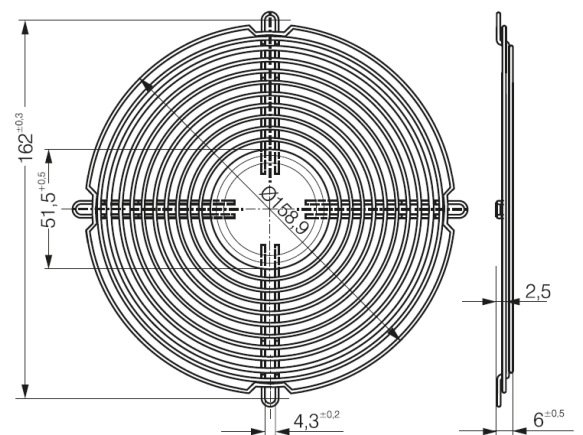
LZ36

Fan size 150 x 172



LZ37

Fan size 172 x 51



# Filter fan guards

[Back to product overview:](#)



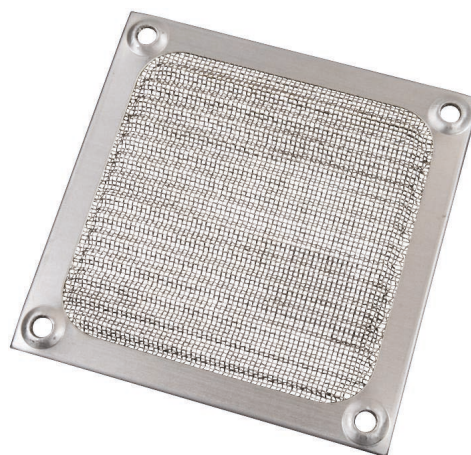
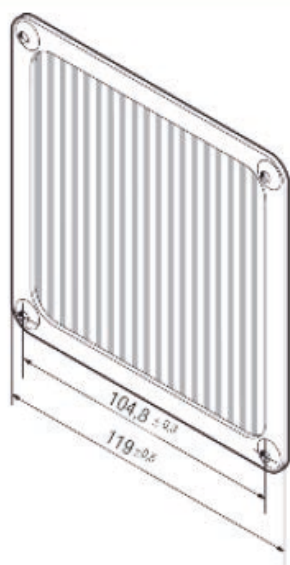
Partnumber	Type	DC Fan series	AC Fan series
9920060000	LZ60	4400 F	AC 4300
		4400 FN	9900
		4300	4000 N
		4400	4000 Z
		4100 N	

Partnumber	Type	Fan size	a	b	c	d
9920340004	FF119	119 x 119 mm	162	136	18,5	104,5

[Pricelist](#)

LZ60

Coarse filter

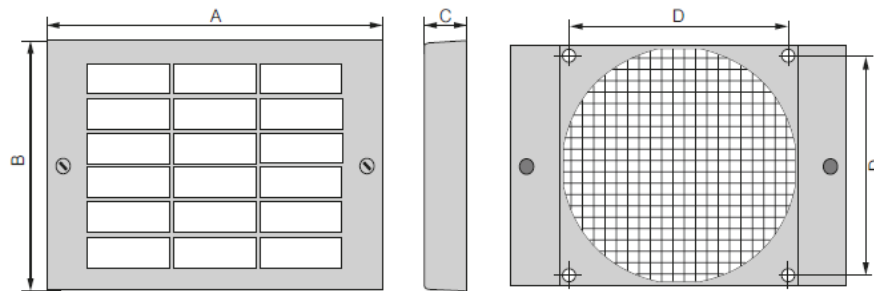


# Filter fan guards

[Back to product overview:](#)



FF 119



# Connection cables



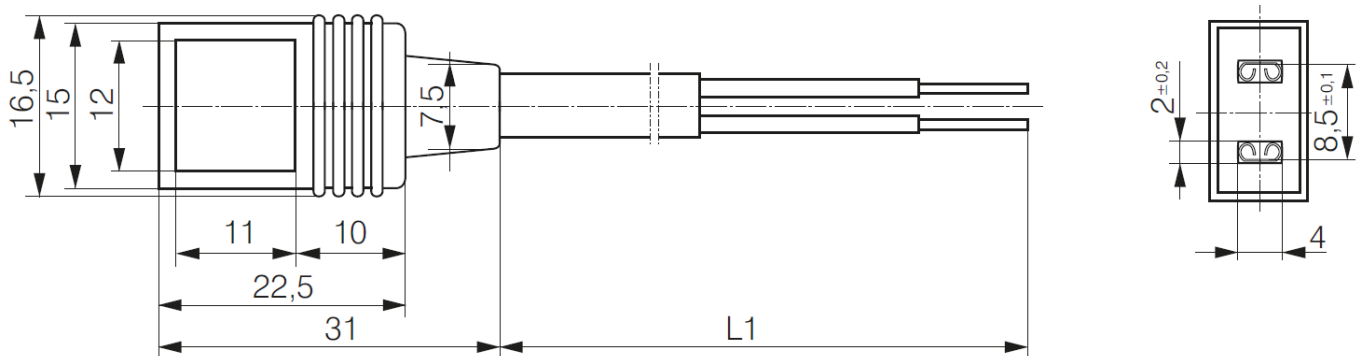
[Back to product overview:](#)



Partnumber	Type	L1 (mm)
<a href="#">9920120000</a>	LZ120	610
<a href="#">9920120004</a>	LZ120-4	2000
<a href="#">9920126000</a>	LZ126	1000

[Pricelist](#)

[Drawing](#)





# Connection cables

[Back to product overview:](#)



## Lead connections for AC centrifugal fans with plastic housing

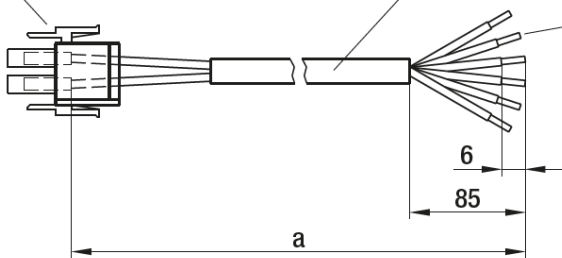
Partnumber	a / cable length
<a href="#">21956-4-1040</a>	300
<a href="#">21958-4-1040</a>	650

### [Pricelist](#)

AMP Universal Mate-N-Lok suitable for:  
Connector shell AMP 926 682-3  
Plug pin 926 886-1

Jacketed cable, internal leads  
H03VV-F6G0,5 black

Brass lead tips



- **Suitable for:**  
D2E146-HR; D2E146-HS; D2E146-HT
- **Plug assignment:**
  - 1 = Step 1 (white)
  - 2 = Step 2 (red)
  - 3 = Step 3 (grey)
  - 4 = Step 4 (black)
  - 5 = N (blue)
  - 6 = PE (green/yellow)

# Connection cables

[Back to product overview:](#)



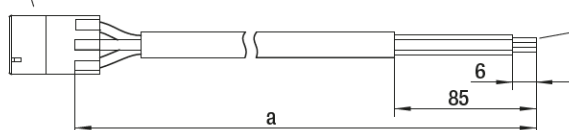
## Line head for EC centrifugal fans with plastic housing

Partnumber	a / cable length
<a href="#">65031-4-1040</a>	650
<a href="#">65032-4-1040</a>	1000
<a href="#">65033-4-1040</a>	1500

### [Pricelist](#)

### Drawing

Lumberg female connector



Brass lead tips

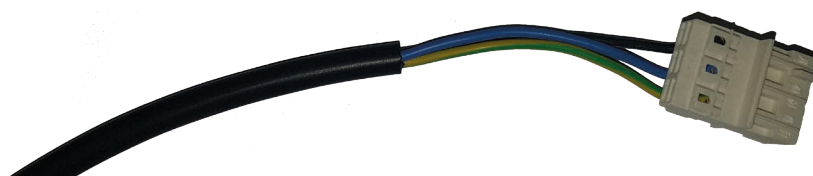
- **Suitable for:**  
D3G146-LT; D3G146-LU; D3G146-LV;  
K3G146-A.....
- **Plug assignment:**  
1 = N (blue)  
2 = L (black)  
3 = PE (green/yellow)

## Line head for D3G146HQ1334

Partnumber	a / cable length
<a href="#">35785-4-1029</a>	1000

### [Pricelist](#)

### Drawing



# Connection cables

[Back to product overview:](#)



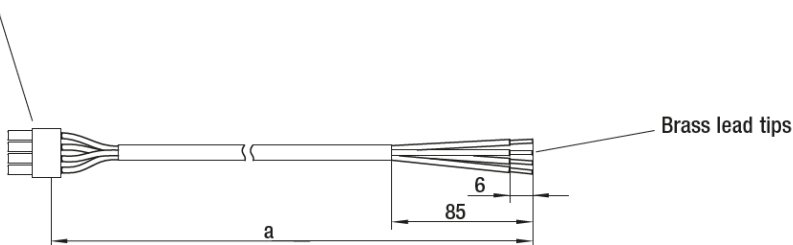
## Control lines for EC centrifugal fans with plastic housing

Partnumber	a / cable length
<a href="#">65007-4-1040</a>	650
<a href="#">65008-4-1040</a>	1000
<a href="#">65009-4-1040</a>	1500

### [Pricelist](#)

### Drawing

Molex Micro Fit female connector



– **Suitable for:**

D3G146-LT; D3G146-LU; D3G146-LV;  
K3G146-A.....

– **Plug assignment:**

1 = GND	(blue)
2 = 0-10V lin. / PWM	(yellow)
3 = Tacho	(white)
4 = 10V	(red)

## Control lines for D3G146HQ1334

Partnumber	a / cable length
<a href="#">15571-4-1029</a>	1000

### [Pricelist](#)

### Drawing



# Speed controllers

[Back to product overview:](#)



Partnumber

Picture

Info

280A00050

Speed controller for 0-10V controle: R= 10K



[Pricelist](#)

# Speed controllers

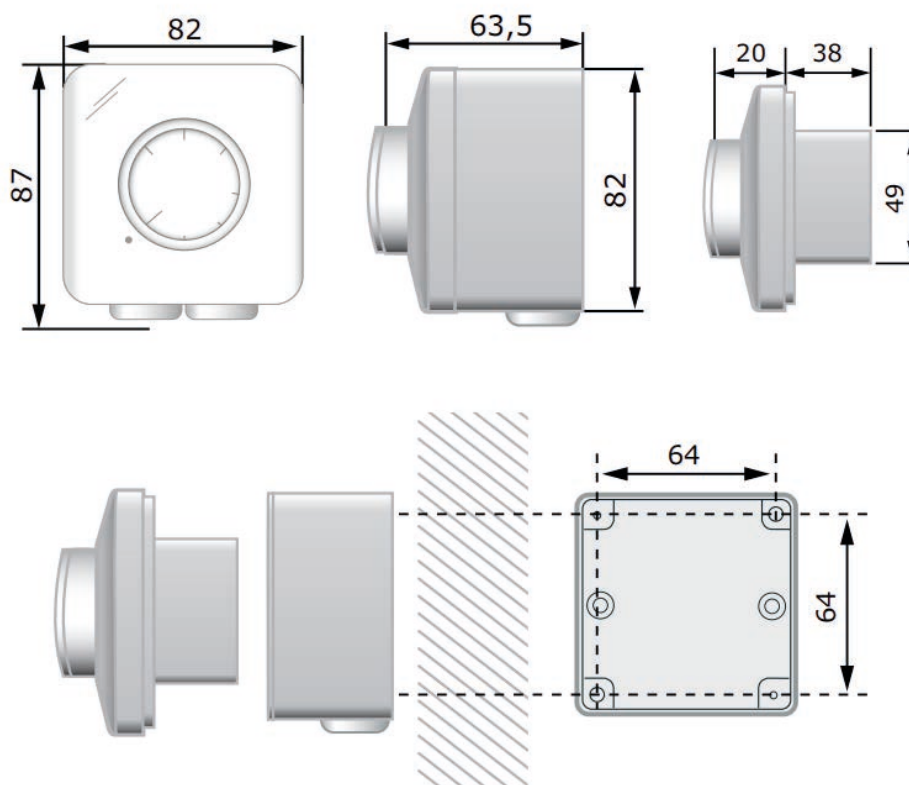
[Back to product overview:](#)



Nominal Data		Voltage	Output voltage	Current	Dimensions
Partnumber	Type	VAC	VAC	A	mm
<a href="#">280F01287</a>	Sentera	230	230	max. 2 A	<a href="#">See drawing</a>

[Pricelist](#)

[Drawing](#)



# Converter: ebm-papst USB-RS485 Adapter



[Back to product overview:](#)



Item number

■ 280A00185

## Technical description

The USB-RS485 Adapter connects RS485 units with PC. Additional ebm-papst Software is needed as follows:

- EC Control version 2.00 and later (item number 25714-2-0199)
- The necessary USB drivers for using the adaptor are provided with the EC-Control software package.

## Mode of operation

Adjustments are configured with internal DIL-switches. Default settings:

- Communication: "without Echo"
- Internal termination: "with Bus Termination"

## Technical data

Delivery scope:	<ul style="list-style-type: none"><li>- Adapter</li><li>- pluggable screw terminal</li><li>- USB cord</li></ul>
Housing:	Plastic housing
Dimensions:	56.0 x 31.2 x 24.5 mm
Power supply:	5 V, via USB
Isolation:	2500 V (protects USB devices against overvoltages)
Data rate:	Up to 3 Mbit/s
RS485 connection:	<ul style="list-style-type: none"><li>- 2-wire</li><li>- up to 32 Bus-participants</li><li>- max. cable length 1200 m (at 9600 bit/s)</li></ul>
Operating Systems:	XP, Windows 7

## Connection to the RS485-Bus

Connect A and B-wires of the RS485-Bus to the screw terminal and insert it into the adaptor.

# Converter: ebm-papst USB-RS485 Adapter

[Back to product overview:](#)

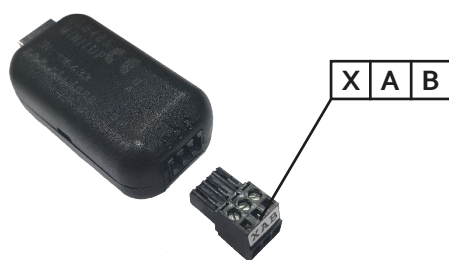


## LED status

- Tx = Transmit
- Rx = Receive
- ON = Power-ON

## Interface diagram

<u>Screw terminal</u>	<u>signal</u>
X	<u>not connected</u>
A	<u>RS485 Bus A / Modbus RTU D<sub>1</sub></u>
B	<u>RS485 Bus B / Modbus RTU D<sub>0</sub></u>



## Connection to the USB-interface:

Please install the USB drivers before connecting to the USB port. These are part of the EC Control software. Please find installation hints in the EC-control manual.



Connect the device to a USB port on your PC, using the enclosed USB-connection cord. After the connection is made, the yellow power LED lights up. Status LEDs for transmit, receive and power for ease of error diagnostics.





# Pricelist

## *spare parts*

**ebmpapst**

engineering a better life

**Note:**

All prices are in euro, excluding VAT ( BTW ). Orders are shipped according to incoterms DAP, transport costs on the basis of calculation before shipment of weight and size. An extra handling fee of € 25,00 to every order with a total value of less than € 300,00 and € 12,50 to every order with a total value of € 300,00 to € 500,00 ( net, excl. VAT ) The prices confirmed are the current prices. Please note that in the event of an interim price increase, the prices will be adjusted.

**NL**

Genoemde prijzen zijn de huidig geldende prijzen. Gelieve er rekening mee te houden, dat bij een tussentijdse prijsverhoging de prijzen zullen worden aangepast

**EN**

The prices confirmed are the current prices. Please note that in the event of an interim price increase, the prices will be adjusted.

**FR**

Les prix indiqués sont les prix actuels. Veuillez noter qu'en cas d'augmentation intermédiaire des prix, les prix seront ajustés.



## Note:

All prices are in euro, excluding VAT (BTW). Orders are shipped according to incoterms DAP, transport costs on the basis of calculation before shipment of weight and size. An extra handling fee of € 25,00 to every order with a total value of less than € 300,00 and € 12,50 to every order with a total value of € 300,00 to € 500,00 (net, excl. VAT). **The prices confirmed are the current prices. Please note that in the event of an interim price increase, the prices will be adjusted.**

Type	Quantities		
	1	5	10
AC axial fans			
<a href="#">A2S130AA0301</a>	€ 94,70	€ 82,50	€ 70,20
<a href="#">A2S130AB0311</a>	€ 93,60	€ 81,40	€ 69,20
<a href="#">W2E143AA0901</a>	€ 114,20	€ 99,40	€ 84,20
<a href="#">W2S130AA2501</a>	€ 95,10	€ 82,80	€ 70,50
<a href="#">W2S130BM0301</a>	€ 95,10	€ 82,80	€ 70,50
<a href="#">A2D200AA0201</a>	€ 136,80	€ 118,90	€ 106,90
<a href="#">A2D200AA0202</a>	€ 137,50	€ 119,70	€ 107,40
<a href="#">A2E200AF0201</a>	€ 118,10	€ 103,00	€ 92,60
<a href="#">A2E200AF0202</a>	€ 118,10	€ 103,00	€ 92,60
<a href="#">W2E200CF0202</a>	€ 171,40	€ 148,80	€ 134,20
<a href="#">A2D250AA0201</a>	€ 157,30	€ 136,80	€ 123,10
<a href="#">A2D250AA0202</a>	€ 157,30	€ 136,80	€ 123,10
<a href="#">A2E250AE6501</a>	€ 139,70	€ 121,50	€ 109,40
<a href="#">A2E250AE6502</a>	€ 139,70	€ 121,50	€ 109,40
<a href="#">W2E250CE6502</a>	€ 192,90	€ 167,70	€ 150,90
<a href="#">W4S250CA0201</a>	€ 173,80	€ 151,00	€ 135,90
<a href="#">A2D300AD0201</a>	€ 203,50	€ 177,00	€ 159,20
<a href="#">A2D300AD0202</a>	€ 203,50	€ 177,00	€ 159,20
<a href="#">A2E300AC4701</a>	€ 185,60	€ 161,60	€ 145,30
<a href="#">A2E300AC4702</a>	€ 185,60	€ 161,60	€ 145,30
<a href="#">S4E300AS7230</a>	€ 114,50	€ 99,50	€ 89,70
<a href="#">S4E300AS7231</a>	€ 174,50	€ 151,60	€ 136,50
<a href="#">S4E350AN0230</a>	€ 147,90	€ 128,70	€ 115,50
<a href="#">S4E350AN0231</a>	€ 152,30	€ 132,40	€ 119,10
<a href="#">S4E400AP0203</a>	€ 193,00	€ 167,80	€ 151,00
<a href="#">S4E400AP0204</a>	€ 224,20	€ 195,10	€ 175,30
<a href="#">S4E450AP0101</a>	€ 264,70	€ 229,90	€ 207,20

Type	Quantities		
	1	5	10
EC axial fans			
<a href="#">W1G200EC8725</a>	€ 90,80	€ 78,70	€ 70,90
<a href="#">W1G200EC9145</a>	€ 81,60	€ 71,00	€ 63,90
<a href="#">W3G300DN0253</a>	€ 354,60		€ 277,50
<a href="#">W3G300YN0238</a>	€ 425,52		€ 333,00
<a href="#">S3G350AN0132</a>	€ 332,20	€ 288,70	€ 259,90
<a href="#">W3G450DL03H4</a>	€ 666,10		€ 521,30
<a href="#">W3G450IL03H4</a>	€ 799,32		€ 625,56
<a href="#">W3G500DA7427</a>	€ 995,40		€ 779,10
<a href="#">W3G500IA7427</a>	€ 1.194,48		€ 934,92

Type	Quantities		
	1	5	10
AC hot-air blowers			
<a href="#">R2S150AA0829</a>	€ 110,60	€ 96,10	€ 86,60
<a href="#">R2E180AH0506</a>	€ 272,20	€ 236,60	€ 212,90
<a href="#">R2D225AG0210</a>	€ 437,40	€ 380,30	€ 342,40



**Note:**

All prices are in euro, excluding VAT (BTW). Orders are shipped according to incoterms DAP, transport costs on the basis of calculation before shipment of weight and size. An extra handling fee of € 25,00 to every order with a total value of less than € 300,00 and € 12,50 to every order with a total value of € 300,00 to € 500,00 (net, excl. VAT). **The prices confirmed are the current prices. Please note that in the event of an interim price increase, the prices will be adjusted.**

Type	Quantities		
AC centrifugal fans	1	5	10
<a href="#">G2E085AA0101</a>	€ 146,50	€ 127,40	€ 114,60
<a href="#">G2E108AA0101</a>	€ 152,40	€ 132,30	€ 119,50
<a href="#">G2E120AR7701</a>	€ 177,30	€ 154,20	€ 138,60
<a href="#">G2E140AE7701</a>	€ 194,00	€ 168,80	€ 151,80
<a href="#">R2E140AE7705</a>	€ 100,50	€ 87,50	€ 78,70
<a href="#">G2E140AI2801</a>	€ 221,50	€ 192,60	€ 173,40
<a href="#">G2E160AY5091</a>	€ 247,00	€ 214,90	€ 193,40
<a href="#">R2E160AY4701</a>	€ 178,60	€ 155,30	€ 139,90
<a href="#">G2E180EH0301</a>	€ 348,50	€ 303,20	€ 272,80
<a href="#">D2E097BK8002</a>	€ 171,40	€ 148,80	€ 134,20
<a href="#">D2E097CB0102</a>	€ 133,90	€ 116,40	€ 104,70
<a href="#">D2E133AM4701</a>	€ 199,00	€ 172,90	€ 155,60
<a href="#">D2E133DM4701</a>	€ 199,00	€ 172,90	€ 155,60
<a href="#">D4E133AH0155</a>	€ 139,50	€ 121,40	€ 109,30
<a href="#">D2E146AP4722</a>	€ 326,10	€ 283,70	€ 255,40
<a href="#">D2E146HS9701</a>	€ 151,30	€ 131,60	€ 118,50
<a href="#">D2E146HT6702</a>	€ 169,40	€ 147,40	€ 132,50
<a href="#">D4E200CA0202</a>	€ 580,60	€ 504,80	€ 454,20
<a href="#">D4E225CC0121</a>	€ 615,40	€ 535,20	€ 481,70
<a href="#">R2S175AB5601</a>	€ 93,60	€ 81,40	€ 73,20
<a href="#">R2E180AS7705</a>	€ 99,20	€ 86,30	€ 77,80
<a href="#">R2E190AO2605</a>	€ 98,20	€ 85,40	€ 76,90
<a href="#">R2E190RA2605</a>	€ 70,70	€ 61,50	€ 55,20
<a href="#">R2E220RA3801</a>	€ 99,60	€ 86,70	€ 78,10
<a href="#">R2E225AT5105</a>	€ 146,50	€ 127,40	€ 114,60
<a href="#">R2E225BD9209</a>	€ 144,30	€ 125,30	€ 112,90
<a href="#">R2E280AE5205</a>	€ 232,80	€ 202,50	€ 182,10

Type	Quantities		
EC centrifugal fans	1	5	10
<a href="#">D3G133BF0503</a>	€ 198,80	€ 171,00	€ 151,10
<a href="#">D3G146LV0531</a>	€ 183,50	€ 159,50	€ 143,60
<a href="#">D3G146LV1333</a>	€ 235,70	€ 206,90	€ 182,80
<a href="#">D3G146HQ1334</a>	€ 230,80	€ 202,50	€ 179,00
<a href="#">G3G160RF3103</a>	€ 214,30	€ 186,30	€ 167,80
<a href="#">G3G190RD4503</a>	€ 291,30	€ 253,50	€ 227,90
<a href="#">K3G133RA0103</a>	€ 186,90	€ 162,30	€ 146,20
<a href="#">8300100028</a>	€ 248,90	€ 216,40	€ 194,80
<a href="#">8300100183</a>	€ 301,70	€ 262,30	€ 236,10
<a href="#">8300100170</a>	€ 352,30	€ 306,30	€ 275,60
<a href="#">8300100177</a>	€ 384,40	€ 334,30	€ 300,80
<a href="#">K3G250AV29B2</a>	€ 943,80	€ 820,70	€ 738,50
<a href="#">K3G310PT08J2</a>	€ 1.104,50	€ 960,40	€ 864,30
<a href="#">K3G400RS03H2</a>	€ 929,60	€ 808,30	€ 727,50

# Pricelist

## Note:

All prices are in euro, excluding VAT (BTW). Orders are shipped according to incoterms DAP, transport costs on the basis of calculation before shipment of weight and size. An extra handling fee of € 25,00 to every order with a total value of less than € 300,00 and € 12,50 to every order with a total value of € 300,00 to € 500,00 (net, excl. VAT). **The prices confirmed are the current prices. Please note that in the event of an interim price increase, the prices will be adjusted.**

Type	Description	Quantities		
		1	5	10
AC compact fans				
<a href="#">9244014343</a>	8880 N	€ 45,35	€ 39,53	€ 33,59
<a href="#">9274014208</a>	8550 N	€ 42,87	€ 37,41	€ 31,72
<a href="#">9274014210</a>	8556 N	€ 51,05	€ 44,49	€ 37,80
<a href="#">9244014696</a>	8556 N-696	€ 50,13	€ 43,62	€ 37,09
<a href="#">9244014686</a>	8526 VWR-686	€ 56,80	€ 49,43	€ 42,40
<a href="#">9244014700</a>	3656	€ 62,07	€ 54,16	€ 45,97
<a href="#">9282708001</a>	9956	€ 43,23	€ 37,68	€ 32,09
<a href="#">9274014111</a>	4850 N	€ 45,35	€ 39,53	€ 33,59
<a href="#">9274014115</a>	4550 N	€ 42,87	€ 37,41	€ 31,72
<a href="#">9274014351</a>	4650 N	€ 42,87	€ 37,41	€ 31,72
<a href="#">9274014139</a>	4656 N	€ 58,49	€ 51,05	€ 43,37
<a href="#">9244014942</a>	4656 EZ	€ 58,49	€ 51,05	€ 43,37
<a href="#">9244014827</a>	4850 ZW	€ 45,35	€ 39,53	€ 33,59
<a href="#">9244014857</a>	4856 Z-857	€ 54,28	€ 47,32	€ 40,15
<a href="#">9244014840</a>	4586 Z	€ 54,28	€ 47,32	€ 40,15
<a href="#">9244014805</a>	4650 ZW	€ 42,87	€ 37,41	€ 31,72
<a href="#">9274014465</a>	4650 N-465	€ 61,33	€ 53,52	€ 45,47
<a href="#">9274014800</a>	4656 Z	€ 50,68	€ 44,24	€ 37,53
<a href="#">9274014804</a>	4656 ZW	€ 50,68	€ 44,24	€ 37,53
<a href="#">9244014896</a>	4656 TZ	€ 58,49	€ 51,05	€ 43,37
<a href="#">9274014147</a>	4606 N	€ 58,49	€ 51,05	€ 43,37
<a href="#">8315100206</a>	AxiAci 120-IP20	€ 88,92	€ 77,63	€ 65,89
<a href="#">8315100075</a>	AxiAci 120-IP65	€ 103,74	€ 90,52	€ 76,85
<a href="#">9245012001</a>	5656 S	€ 95,78	€ 83,52	€ 70,88
<a href="#">W2S130AA0301</a>		€ 95,10	€ 82,80	€ 70,50
<a href="#">W2E142BB0101</a>		€ 107,40	€ 93,50	€ 79,50
<a href="#">W2E143AB0901</a>		€ 114,20	€ 99,40	€ 84,20
<a href="#">W2E200HK3801</a>		€ 155,00	€ 134,70	€ 114,60
<a href="#">W2E250HL0619</a>		€ 195,10	€ 171,30	€ 151,30

# Pricelist

## Note:

All prices are in euro, excluding VAT (BTW). Orders are shipped according to incoterms DAP, transport costs on the basis of calculation before shipment of weight and size. An extra handling fee of € 25,00 to every order with a total value of less than € 300,00 and € 12,50 to every order with a total value of € 300,00 to € 500,00 (net, excl. VAT). **The prices confirmed are the current prices. Please note that in the event of an interim price increase, the prices will be adjusted.**

Type	Description	Quantities		
		1	5	10
DC compact fans				
<a href="#">9291705005</a>	414 F	€ 24,78	€ 21,69	€ 18,34
<a href="#">9291708001</a>	412	€ 26,63	€ 23,16	€ 19,71
<a href="#">9291708002</a>	414	€ 26,63	€ 23,16	€ 19,71
<a href="#">9291708612</a>	614 F	€ 28,75	€ 25,02	€ 21,32
<a href="#">9292206172</a>	612 NGMLE	€ 30,48	€ 26,63	€ 22,55
<a href="#">9292207008</a>	624 N	€ 35,06	€ 30,61	€ 26,03
<a href="#">9272206072</a>	614 NH	€ 35,44	€ 30,98	€ 26,27
<a href="#">9292206033</a>	614 NHH	€ 35,81	€ 31,22	€ 26,52
<a href="#">9292308004</a>	634 NU	€ 67,03	€ 58,49	€ 49,68
<a href="#">9292506125</a>	8412 N	€ 29,50	€ 25,66	€ 21,80
<a href="#">9292506126</a>	8414 N	€ 29,50	€ 25,66	€ 21,80
<a href="#">9292506124</a>	8414 NH	€ 30,48	€ 26,63	€ 22,55
<a href="#">9292506475</a>	8414 NMU	€ 50,07	€ 43,62	€ 37,05
<a href="#">9292506110</a>	8414 NGH	€ 25,89	€ 22,55	€ 19,20
<a href="#">9294303004</a>	8314	€ 42,87	€ 37,41	€ 31,72
<a href="#">9292506324</a>	3412 N	€ 36,55	€ 31,85	€ 27,02
<a href="#">9292506320</a>	3414 NHH	€ 37,53	€ 32,84	€ 27,89
<a href="#">9293510112</a>	3314 NHHU	€ 55,63	€ 48,58	€ 41,26
<a href="#">9293505434</a>	4412 FGML	€ 39,78	€ 34,70	€ 29,36
<a href="#">9293505446</a>	4412 FG	€ 39,78	€ 34,70	€ 29,36
<a href="#">9293505405</a>	4414 F	€ 44,73	€ 38,90	€ 33,08
<a href="#">9293510701</a>	4314 NN	€ 45,72	€ 39,90	€ 33,84
<a href="#">9293510702</a>	4314 NNU	€ 60,34	€ 52,55	€ 44,60
<a href="#">9293510560</a>	4414 ML	€ 48,20	€ 42,01	€ 35,69
<a href="#">9293510524</a>	4414 HH	€ 51,42	€ 44,85	€ 38,04
<a href="#">9294310103</a>	4184 NX	€ 76,58	€ 66,79	€ 56,75
<a href="#">9295410121</a>	7114 N	€ 146,83	€ 128,00	€ 108,67
<a href="#">9295414502</a>	DV 6224	€ 206,06	€ 179,67	€ 152,54

# Pricelist

## Note:

All prices are in euro, excluding VAT (BTW). Orders are shipped according to incoterms DAP, transport costs on the basis of calculation before shipment of weight and size. An extra handling fee of € 25,00 to every order with a total value of less than € 300,00 and € 12,50 to every order with a total value of € 300,00 to € 500,00 (net, excl. VAT). **The prices confirmed are the current prices. Please note that in the event of an interim price increase, the prices will be adjusted.**

Type	Description	Quantities			
Tangential fans		1	2	5	10
<a href="#">55410.81610</a>	<a href="#">QLZ06/1800</a>	€ 110,60	€ 100,31	€ 90,42	€ 80,46

Type	Quantities		
Q and IQ motors	1	5	10
<a href="#">M4Q045BD0175</a>	€ 25,80	€ 22,40	€ 20,10
<a href="#">M4Q045CA0375</a>	€ 31,60	€ 27,30	€ 24,70
<a href="#">M4Q045CF0175</a>	€ 33,90	€ 29,60	€ 26,50
<a href="#">M4Q045DA0175</a>	€ 38,00	€ 33,10	€ 29,90
<a href="#">M4Q045EA0175</a>	€ 47,70	€ 41,60	€ 37,40
<a href="#">M4Q045EF0175</a>	€ 52,90	€ 46,00	€ 41,40

Type	Quantities		
Motors	1	5	10
<a href="#">M4S068BF0819</a>	€ 123,30	€ 107,10	€ 96,60
<a href="#">M4S068BF0814</a>	€ 124,50	€ 108,20	€ 97,60

# Pricelist accessories

## Note:

All prices are in euro, excluding VAT (BTW). Orders are shipped according to incoterms DAP, transport costs on the basis of calculation before shipment of weight and size. An extra handling fee of € 25,00 to every order with a total value of less than € 300,00 and € 12,50 to every order with a total value of € 300,00 to € 500,00 (net, excl. VAT). **The prices confirmed are the current prices. Please note that in the event of an interim price increase, the prices will be adjusted.**

Type	Capacity	Quantities	
Capacitors	µF	1	10
<a href="#">280F00031</a>	1	€ 6,10	€ 4,86
<a href="#">280F00032</a>	1.5	€ 6,26	€ 4,97
<a href="#">280F00033</a>	2	€ 6,38	€ 5,09
<a href="#">280F00035</a>	3	€ 6,52	€ 5,19
<a href="#">66785-4-7320</a>	3,5	€ 4,04	€ 3,20
<a href="#">280F00036</a>	4	€ 7,10	€ 5,64
<a href="#">280F00037</a>	5	€ 8,23	€ 6,54
<a href="#">280F00038</a>	6	€ 8,53	€ 6,78
<a href="#">280F00039</a>	8	€ 11,35	€ 7,53
<a href="#">280F00040</a>	10	€ 13,06	€ 8,66
<a href="#">280F00041</a>	12	€ 14,91	€ 9,88
<a href="#">280F00042</a>	14	€ 15,61	€ 10,35
<a href="#">280F00043</a>	16	€ 16,33	€ 10,82
<a href="#">280F00044</a>	20	€ 19,87	€ 13,17
<a href="#">280F00045</a>	25	€ 21,29	€ 14,12
<a href="#">280F00046</a>	35	€ 29,37	€ 19,48
<a href="#">280F00055</a>	7	€ 8,66	€ 5,73

Type	Quantities		
Inlet rings	1	5	10
<a href="#">09576-2-4013</a>	€ 7,40	€ 6,50	€ 5,90
<a href="#">09609-2-4013</a>	€ 14,70	€ 12,90	€ 11,50
<a href="#">96358-2-4013</a>	€ 13,20	€ 11,40	€ 10,20

Type	Quantities		
Finger guards	1	5	10
<a href="#">09494-2-4039</a>	€ 7,50	€ 6,70	€ 6,00
<a href="#">09492-2-4039</a>	€ 8,60	€ 7,50	€ 6,90
<a href="#">78128-2-4039</a>	€ 15,30	€ 13,40	€ 12,10
<a href="#">09518-2-4039</a>	€ 22,30	€ 19,20	€ 17,30
<a href="#">09418-2-4039</a>	€ 21,20	€ 18,40	€ 16,50

Type	Quantities		
Guard compact fans	1	5	10
<a href="#">9920029001</a>	€ 3,59	€ 3,10	€ 2,60
<a href="#">9920028001</a>	€ 5,33	€ 4,59	€ 3,97
<a href="#">9920023001</a>	€ 8,55	€ 7,43	€ 6,32
<a href="#">9920032004</a>	€ 7,43	€ 6,45	€ 5,59
<a href="#">9920030004</a>	€ 8,55	€ 7,43	€ 6,32
<a href="#">9920025000</a>	€ 9,55	€ 8,30	€ 7,07
<a href="#">9920035000</a>	€ 7,07	€ 6,20	€ 5,20
<a href="#">9920036000</a>	€ 8,18	€ 7,07	€ 6,06
<a href="#">9920037000</a>	€ 8,55	€ 7,43	€ 6,32

# Pricelist accessories

## Note:

All prices are in euro, excluding VAT (BTW). Orders are shipped according to incoterms DAP, transport costs on the basis of calculation before shipment of weight and size. An extra handling fee of € 25,00 to every order with a total value of less than € 300,00 and € 12,50 to every order with a total value of € 300,00 to € 500,00 (net, excl. VAT). **The prices confirmed are the current prices. Please note that in the event of an interim price increase, the prices will be adjusted.**

Type	Quantities		
Fan filter guard	1	5	10
<a href="#">9920060000</a>	€ 10,28	€ 8,92	€ 7,68
<a href="#">9920340004</a>	€ 52,17	€ 45,47	€ 38,67

Type	Quantities		
Connection cables	1	5	10
<a href="#">9920120000</a>	€ 6,06	€ 5,20	€ 4,45
<a href="#">9920120004</a>	€ 8,92	€ 7,68	€ 6,56
<a href="#">9920126000</a>	€ 7,07	€ 6,20	€ 5,20
<a href="#">21956-4-1040</a>	€ 5,90	€ 5,10	€ 4,60
<a href="#">21958-4-1040</a>	€ 6,80	€ 5,90	€ 5,20
<a href="#">65031-4-1040</a>	€ 7,50	€ 6,70	€ 6,00
<a href="#">65032-4-1040</a>	€ 8,70	€ 7,50	€ 6,90
<a href="#">65033-4-1040</a>	€ 9,80	€ 8,60	€ 7,60
<a href="#">15571-4-1029</a>	Control cable	€ 7,00	€ 6,10
<a href="#">65007-4-1040</a>		€ 8,00	€ 7,10
<a href="#">65008-4-1040</a>		€ 9,10	€ 7,10
<a href="#">65009-4-1040</a>		€ 10,20	€ 7,90
<a href="#">35785-4-1029</a>	230 V cable	€ 5,90	€ 4,50

Type	Quantities	
Speed controllers	1	10
<a href="#">280A00050</a>	€ 44,65	
<a href="#">280F01287</a>	€ 51,96	€ 47,81

Type	Price
Converter	
<a href="#">280A00185</a>	€ 243,79



# Pricelist

## **Note:**

All prices are in euro, excluding VAT (BTW). Orders are shipped according to incoterms DAP, transport costs on the basis of calculation before shipment of weight and size. An extra handling fee of € 25,00 to every order with a total value of less than € 300,00 and € 12,50 to every order with a total value of € 300,00 to € 500,00 (net, excl. VAT). **The prices confirmed are the current prices. Please note that in the event of an interim price increase, the prices will be adjusted.**

## **NL**

Genoemde prijzen zijn de huidig geldende prijzen. Gelieve er rekening mee te houden, dat bij een tussentijdse prijsverhoging de prijzen zullen worden aangepast

## **EN**

The prices confirmed are the current prices. Please note that in the event of an interim price increase, the prices will be adjusted.

## **FR**

Les prix indiqués sont les prix actuels. Veuillez noter qu'en cas d'augmentation intermédiaire des prix, les prix seront ajustés.

# ebmpapst

engineering a better life

## ebm-papst Benelux

### *Sales office*

#### *The Netherlands*

Polbeemd 7  
NL-5741 TP Beek en Donk  
P.O. box 140  
NL-5740 AC Beek en Donk

T: +31(0)492 502 900  
F: +31(0)492 502 950  
E: verkoop@nl.ebmpapst.com  
W: www.ebmpapst.com

### *Sales*

#### *Belgium – Luxembourg*

T: +32(0)16 396 200  
F: +32(0)16 396 220  
E: info@be.ebmpapst.com  
W: www.ebmpapst.be

